



US00D771485S

(12) **United States Design Patent**
Bartleet

(10) **Patent No.:** **US D771,485 S**

(45) **Date of Patent:** **** Nov. 15, 2016**

(54) **EDGE PROTECTOR**

(71) Applicant: **Bartleet Trading International LLC**,
Rockwall, TX (US)

(72) Inventor: **Stephen Paul Bartleet**, Rockwall, TX
(US)

(73) Assignee: **Bartleet Trading International, LLC**,
Rockwall, TX (US)

(**) Term: **15 Years**

(21) Appl. No.: **29/544,807**

(22) Filed: **Nov. 6, 2015**

Related U.S. Application Data

(63) Continuation-in-part of application No. 13/928,793,
filed on Jun. 27, 2013, now abandoned.

(51) **LOC (10) Cl.** **08-09**

(52) **U.S. Cl.**
USPC **D8/403**

(58) **Field of Classification Search**
USPC D8/354, 400, 402, 403, 499; 206/586,
206/521, 591-594, 499; 248/345.1
CPC .. B65D 8/053; B65D 81/053; B65D 81/055;
B32B 3/30

See application file for complete search history.

(56) **References Cited**

U.S. PATENT DOCUMENTS

2,266,181 A * 12/1941 Epps B65D 71/04
190/37
5,813,537 A * 9/1998 DeReu B65D 81/054
206/453

D479,799 S * 9/2003 Zamberg D8/403
6,915,603 B2 * 7/2005 Hunt B65D 5/4283
108/55.1
6,929,842 B2 * 8/2005 Dujardin B60R 13/043
293/126
D542,127 S * 5/2007 Carr D8/403
7,299,924 B2 * 11/2007 Robinson, Jr. B65D 81/054
206/453
7,727,614 B2 * 6/2010 Stubing B65D 81/053
206/586
D643,709 S * 8/2011 Olsson D8/403
8,443,975 B2 * 5/2013 Butch, Jr. B65D 81/054
206/453
D715,633 S * 10/2014 Baker D8/403

* cited by examiner

Primary Examiner — Prabhakar Deshmukh

(74) *Attorney, Agent, or Firm* — Ross IP Group PLLC;
Christopher P. O'Hagan

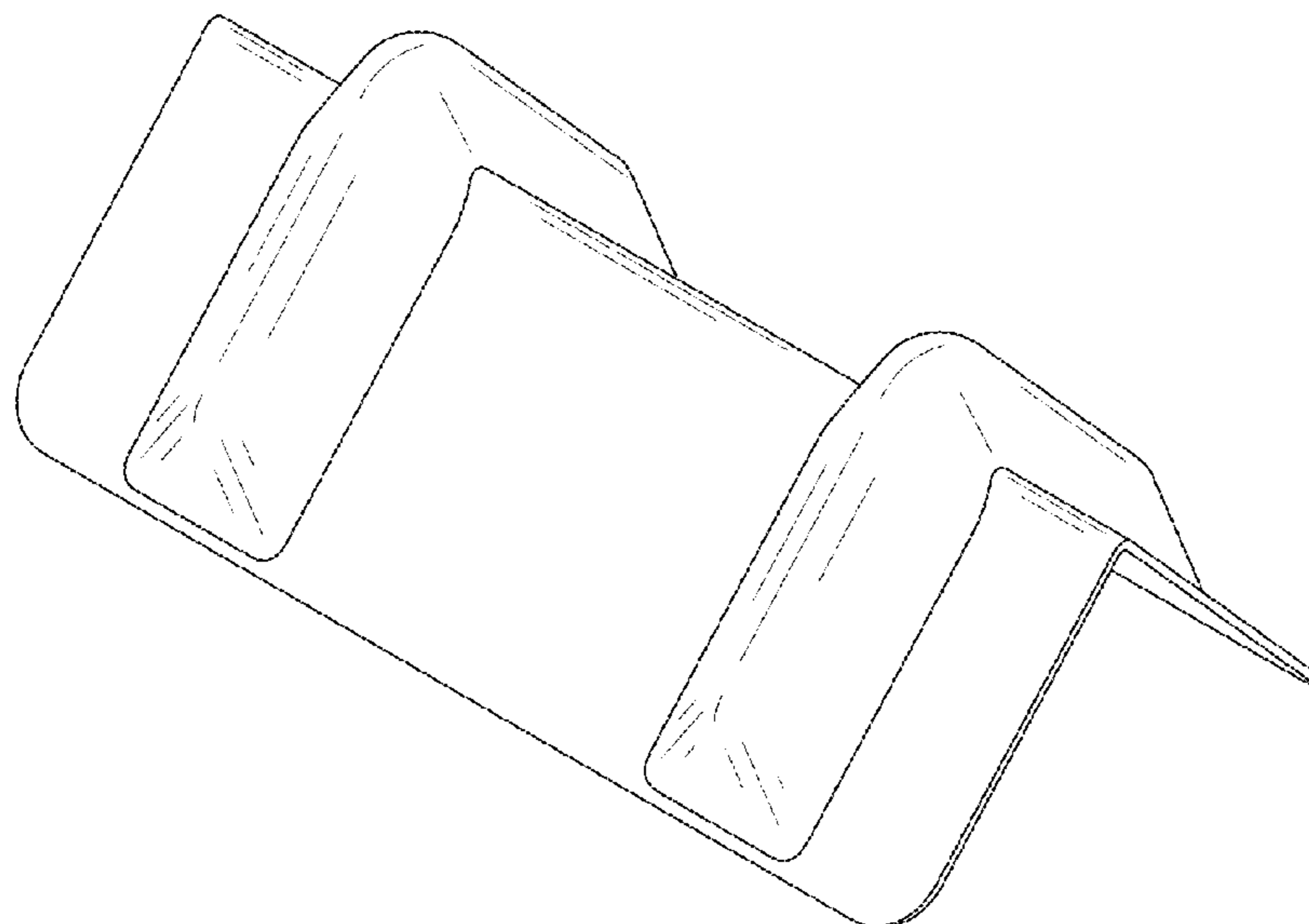
(57) **CLAIM**

The ornamental design for an edge protector, as shown and described.

DESCRIPTION

FIG. 1 is a top perspective view of an edge protector showing my new design;
FIG. 2 is a front perspective view thereof;
FIG. 3 is a side elevational view thereof;
FIG. 4 is a front elevational view thereof;
FIG. 5 is a top plan view thereof; and,
FIG. 6 is a bottom plan view thereof.

1 Claim, 3 Drawing Sheets



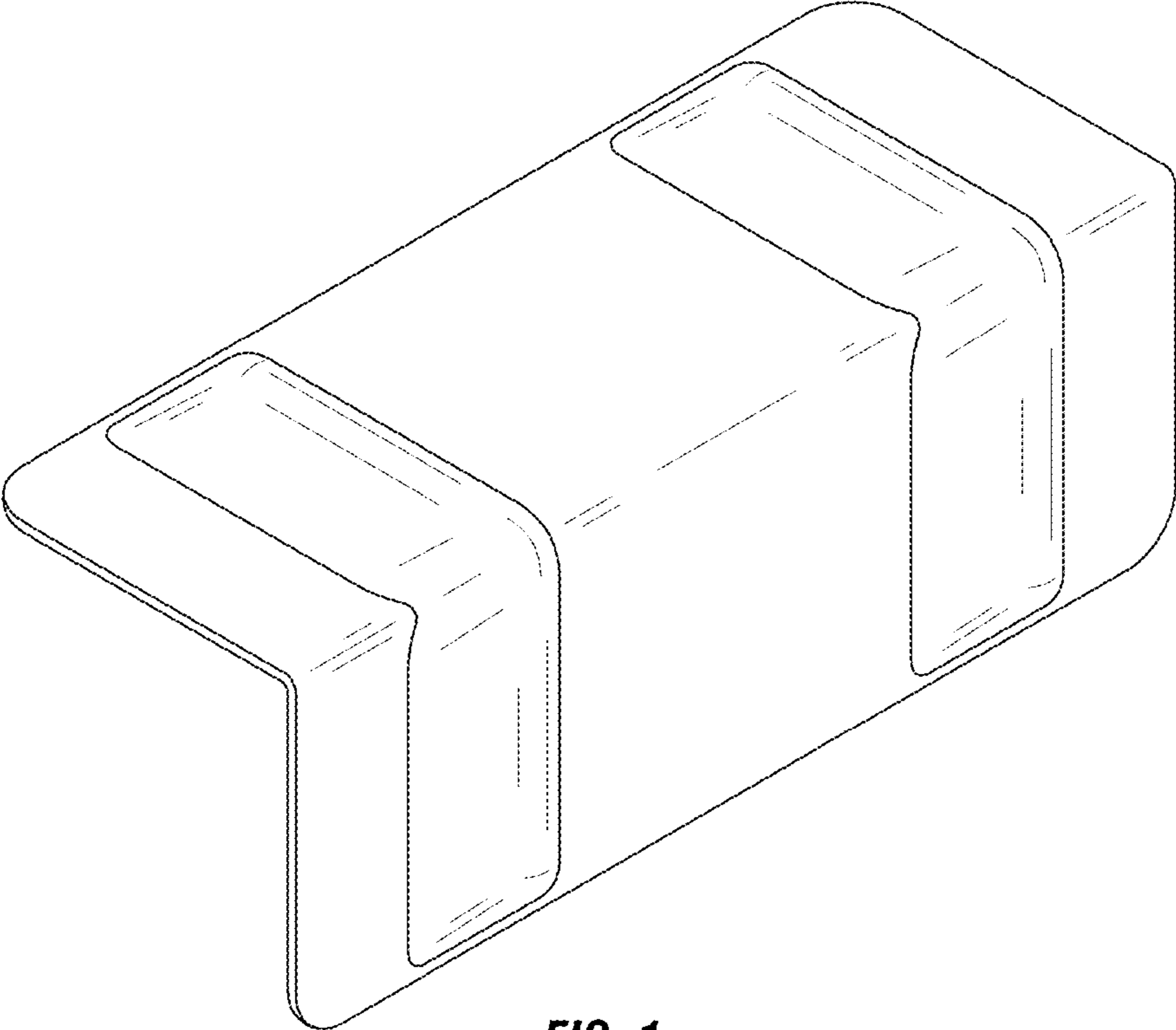


FIG. 1

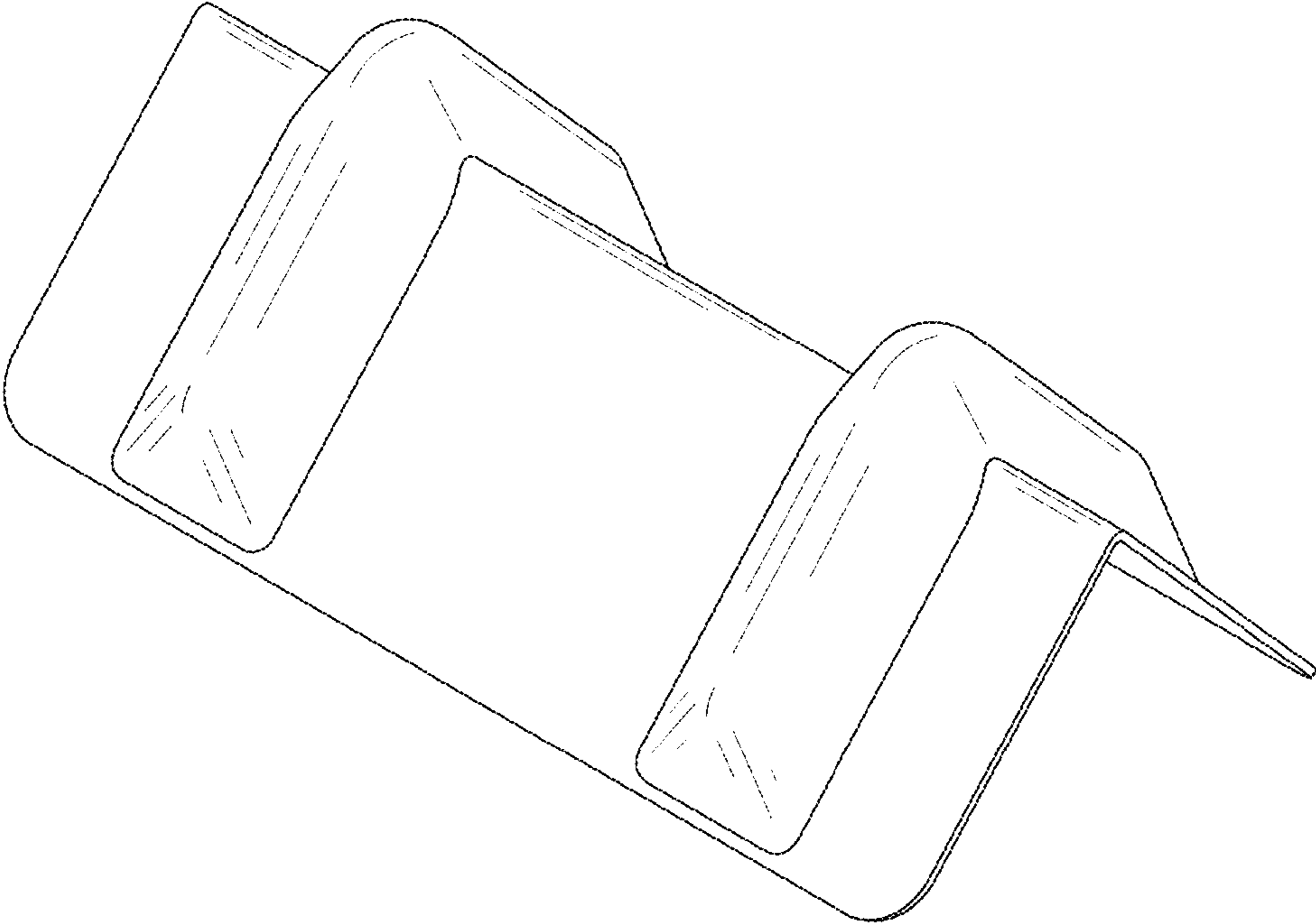


FIG. 2

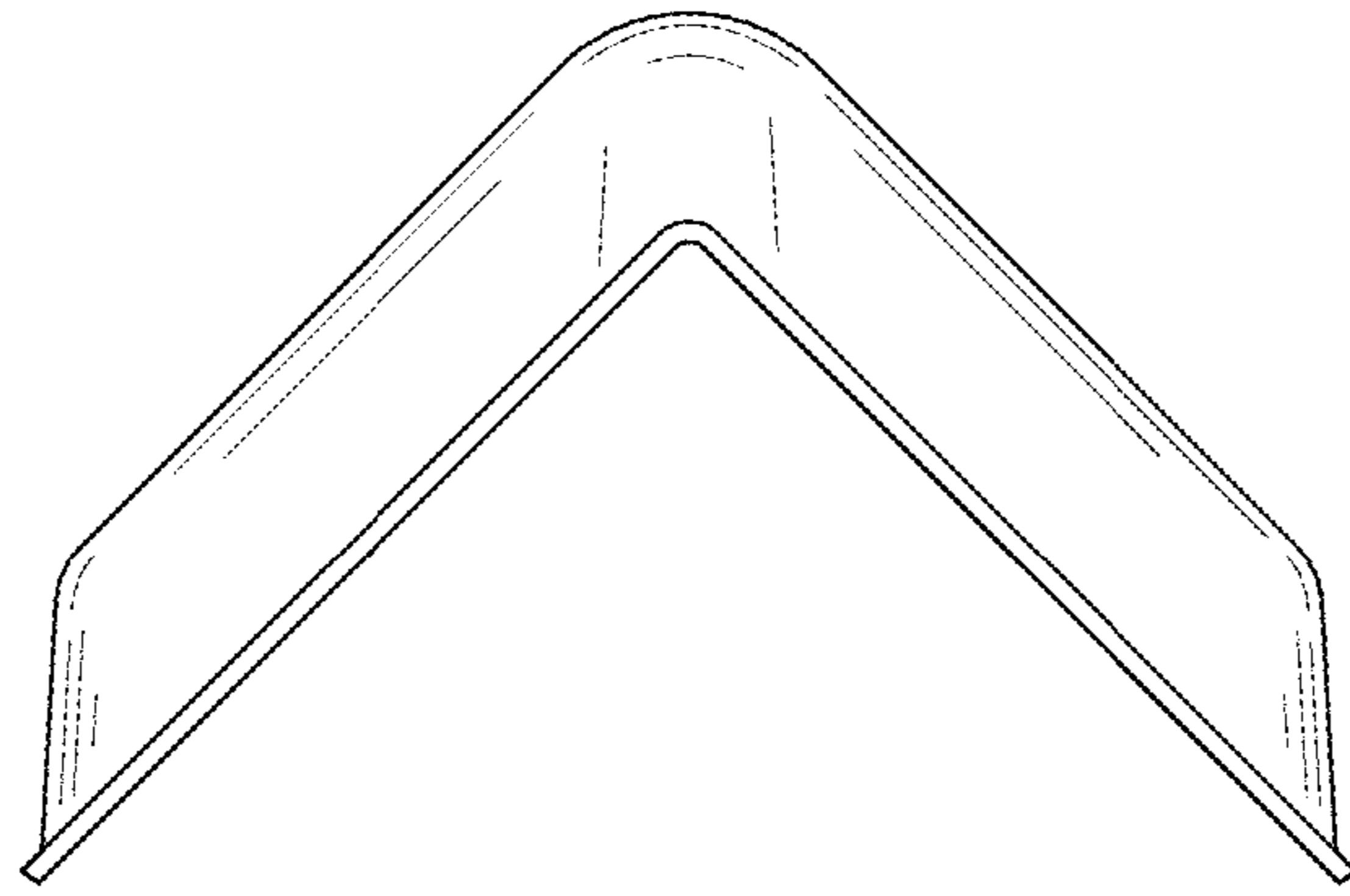


FIG. 3

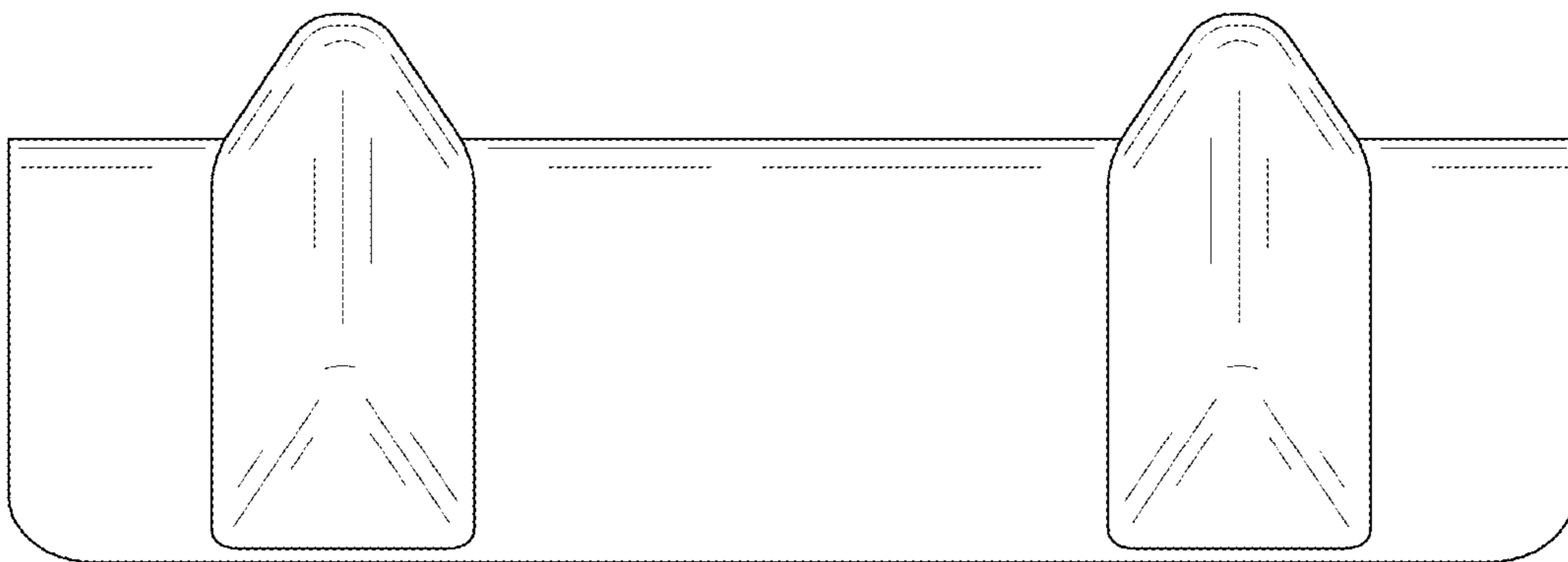


FIG. 4

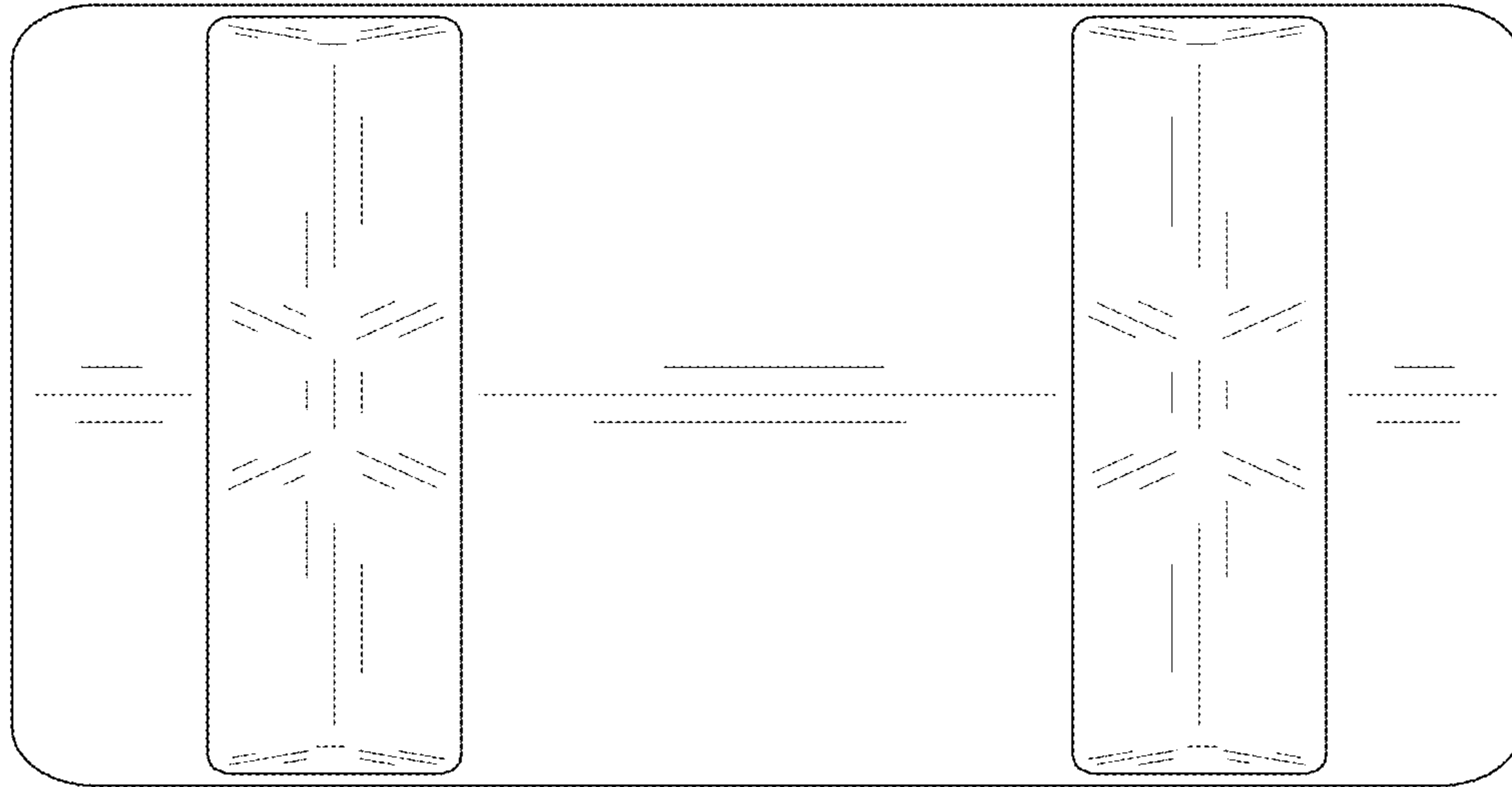


FIG. 5

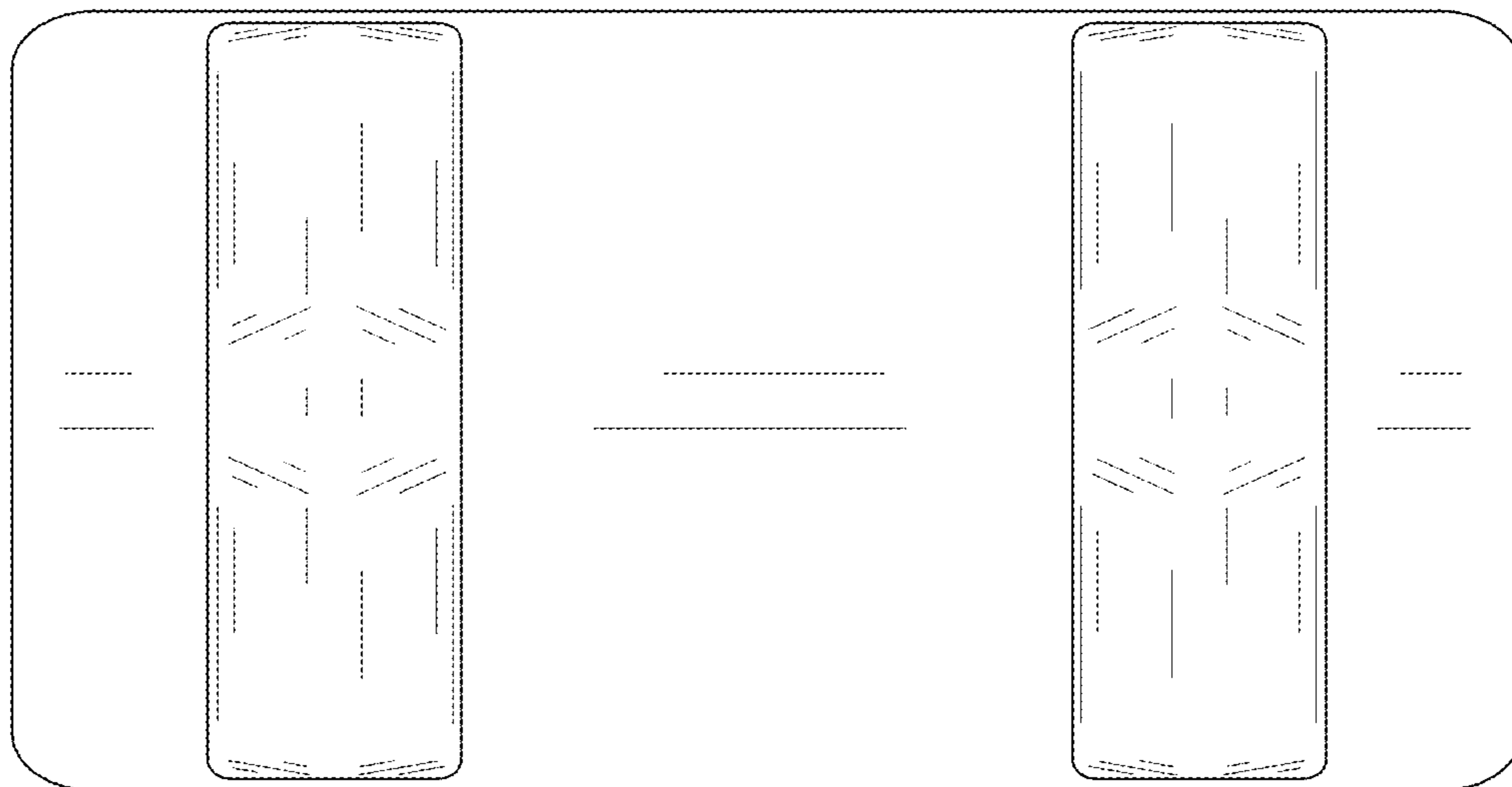


FIG. 6