



US00D771481S

(12) **United States Design Patent** (10) **Patent No.:** **US D771,481 S**
Alvarez (45) **Date of Patent:** **** Nov. 15, 2016**

(54) **BEAD FOR USE WITH STRING BIKINI TOP**

(71) Applicant: **Maria Eloisa Alvarez**, Friendswood, TX (US)

(72) Inventor: **Maria Eloisa Alvarez**, Friendswood, TX (US)

(**) Term: **15 Years**

(21) Appl. No.: **29/534,031**

(22) Filed: **Jul. 24, 2015**

(51) **LOC (10) Cl.** **08-08**

(52) **U.S. Cl.**
USPC **D8/383; D11/202**

(58) **Field of Classification Search**
USPC D11/1-2, 200-201, 206-210, 214-218;
24/163 R, 169-171, 173, 177-179, 191,
24/194-195, 197, 200, 614-616, 625, 198,
24/578.11, 578.1, 163 K, 114, 115 G, 298;
D8/383, 395, 396, 356; D2/316
CPC A44B 11/26; A44B 11/25; A44B 11/06;
F16G 11/00

See application file for complete search history.

(56) **References Cited**

U.S. PATENT DOCUMENTS

D25,615 S * 6/1896 Harris D8/382
4,039,263 A * 8/1977 Bassler E04B 1/1906
403/171
D251,478 S * 4/1979 Boden D8/383
D251,545 S * 4/1979 Boden D11/202
4,288,891 A * 9/1981 Boden F16G 11/10
24/115 G

D308,282 S * 6/1990 Bergman D2/978
D310,166 S * 8/1990 Fildan D8/356
5,345,657 A * 9/1994 Shimizu F16G 11/10
24/115 G
D367,222 S * 2/1996 Ikeda D8/383
5,611,118 A * 3/1997 Bibbee A42B 7/00
2/195.1
5,666,699 A * 9/1997 Takahashi F16G 11/10
24/115 G
D406,687 S * 3/1999 Thorpe D2/865
7,337,503 B1 * 3/2008 Ashbrook E06B 9/327
24/115 G

* cited by examiner

Primary Examiner — Ralf Seifert

(74) *Attorney, Agent, or Firm* — Egbert Law Offices, PLLC

(57) **CLAIM**

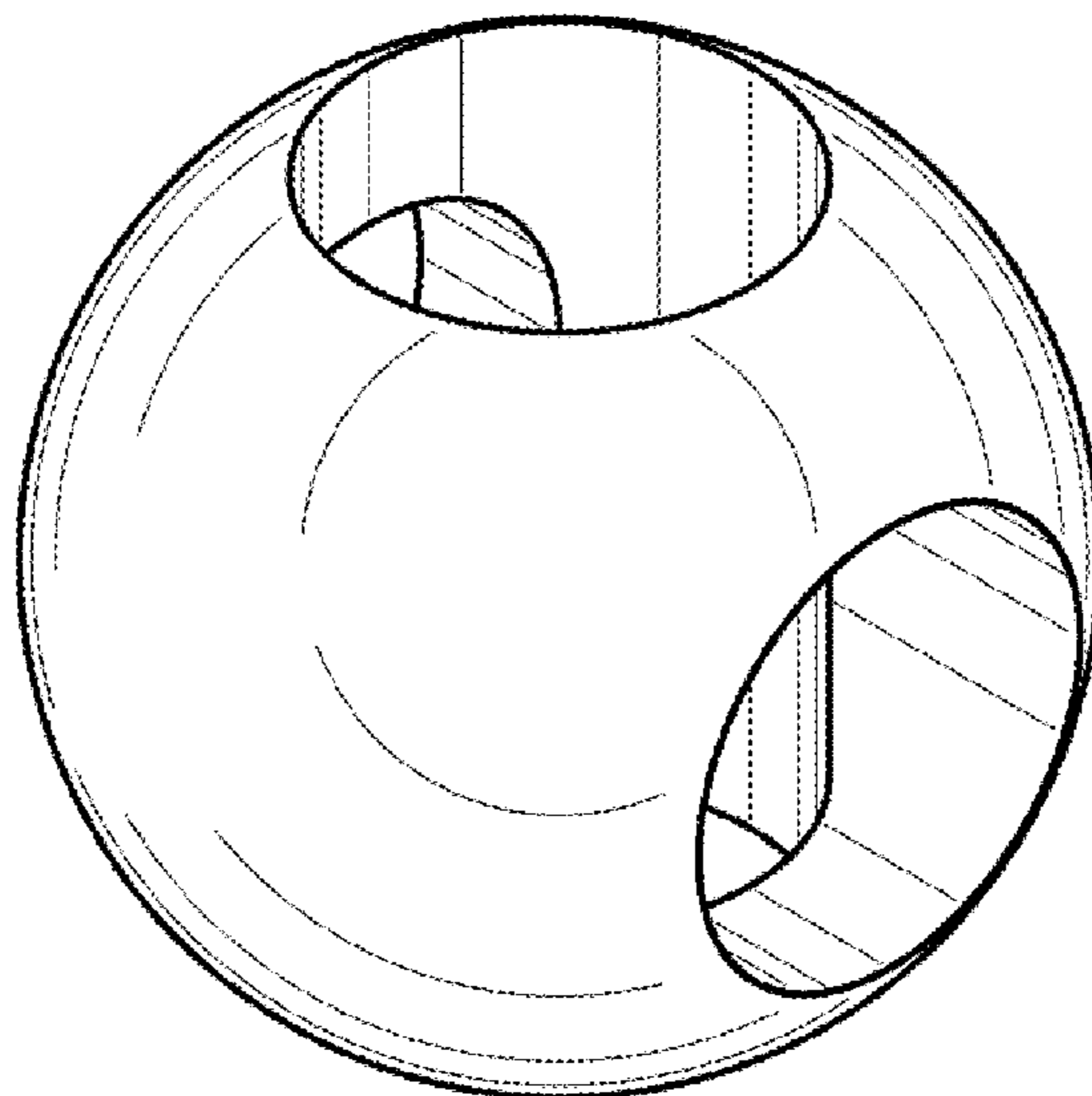
The ornamental design for a bead for use with string bikini top, as shown and described.

DESCRIPTION

FIG. 1 is a perspective view of a bead for use with string bikini top showing my new design.
FIG. 2 is a front thereof;
FIG. 3 is a rear view thereof;
FIG. 4 is a side view thereof;
FIG. 5 is an opposite view thereof;
FIG. 6 is a top view thereof; and,
FIG. 7 is a bottom view thereof.

The broken lines in the drawings represent the strings of a string bikini top and form no part of the claimed design. The bead for use with string bikini top is used to secure the strings of a string bikini top, allowing the string bikini top to be worn in a number of ways.

1 Claim, 2 Drawing Sheets



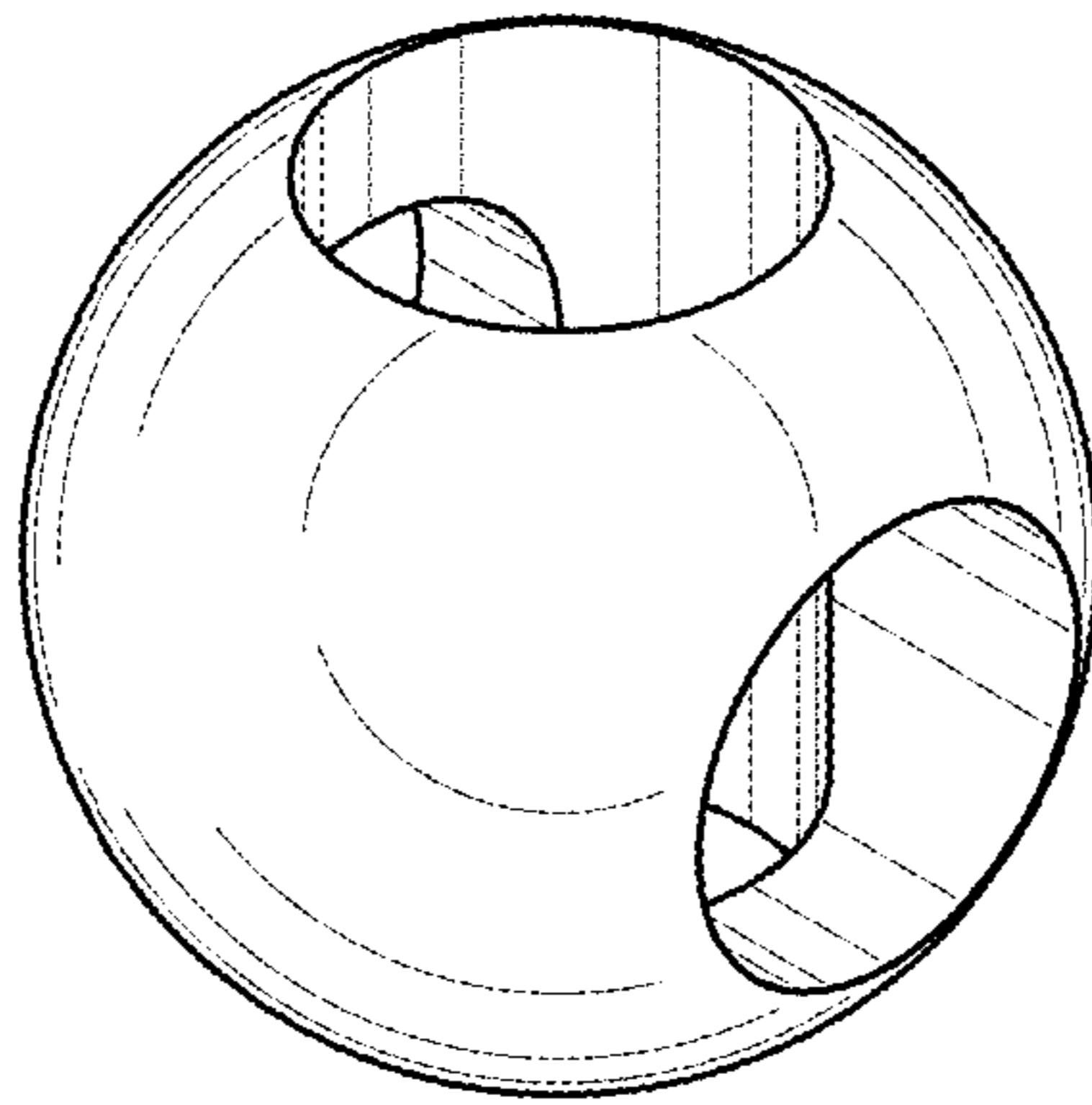


FIG. 1

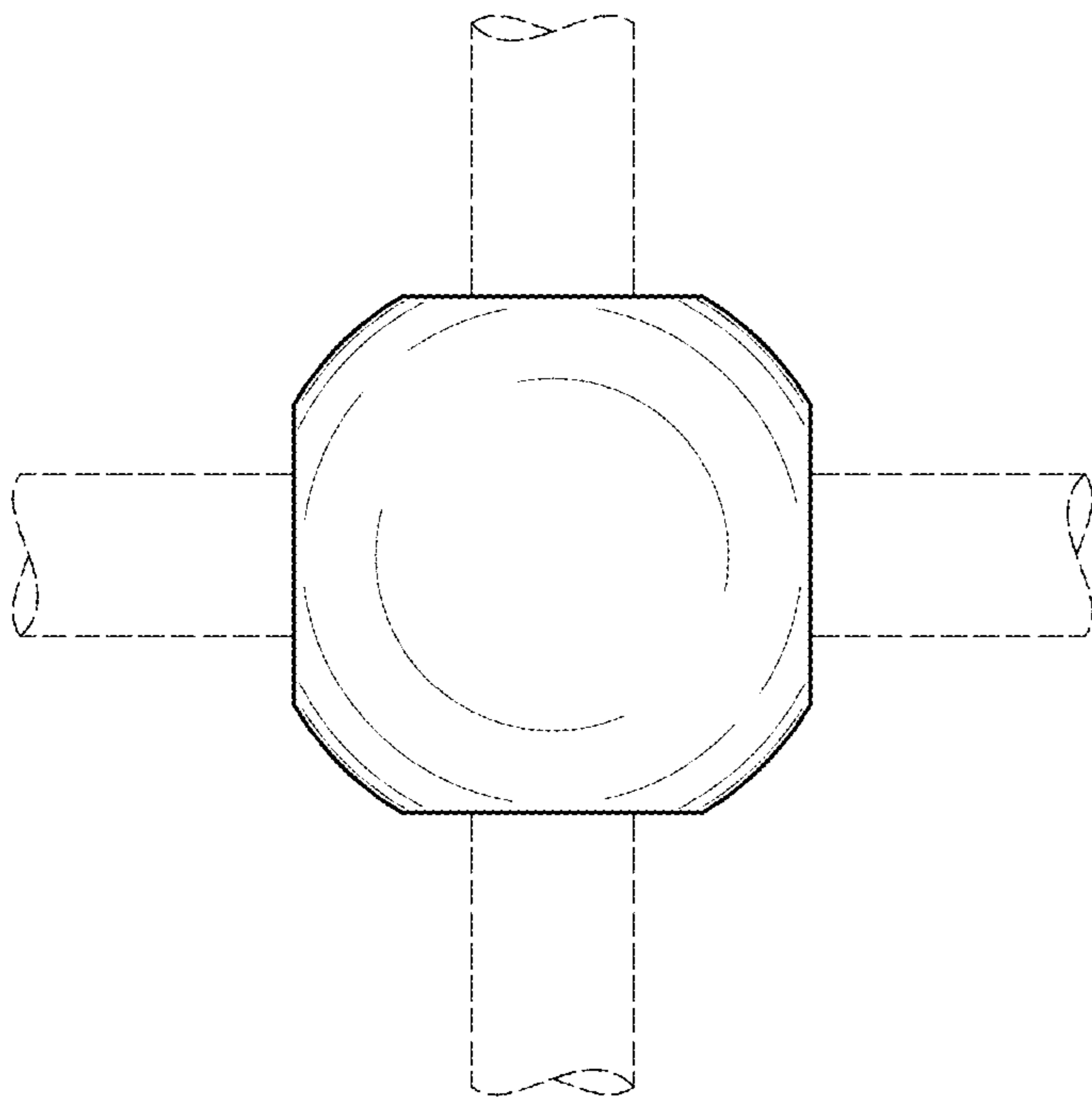


FIG. 2

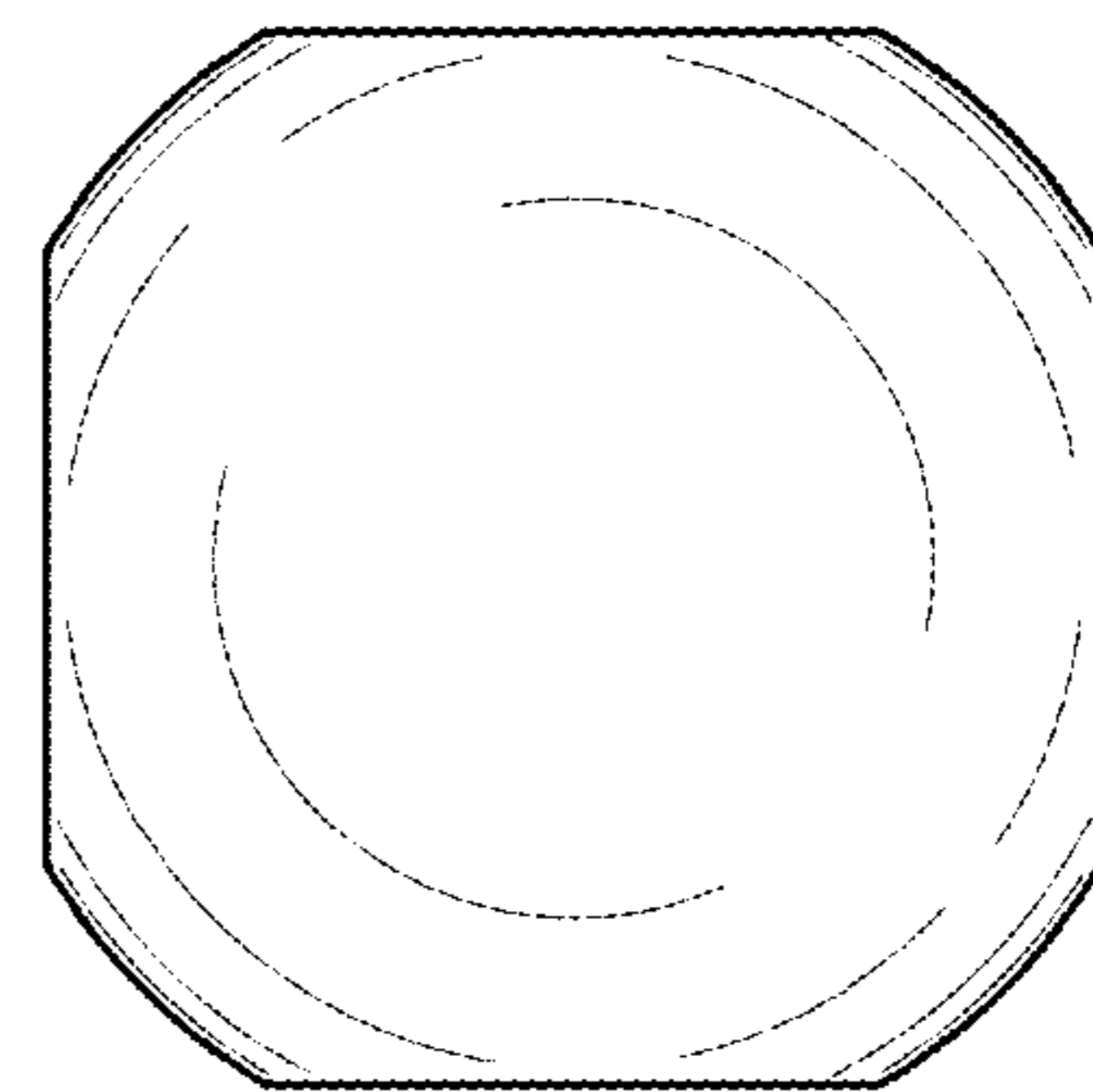


FIG. 3

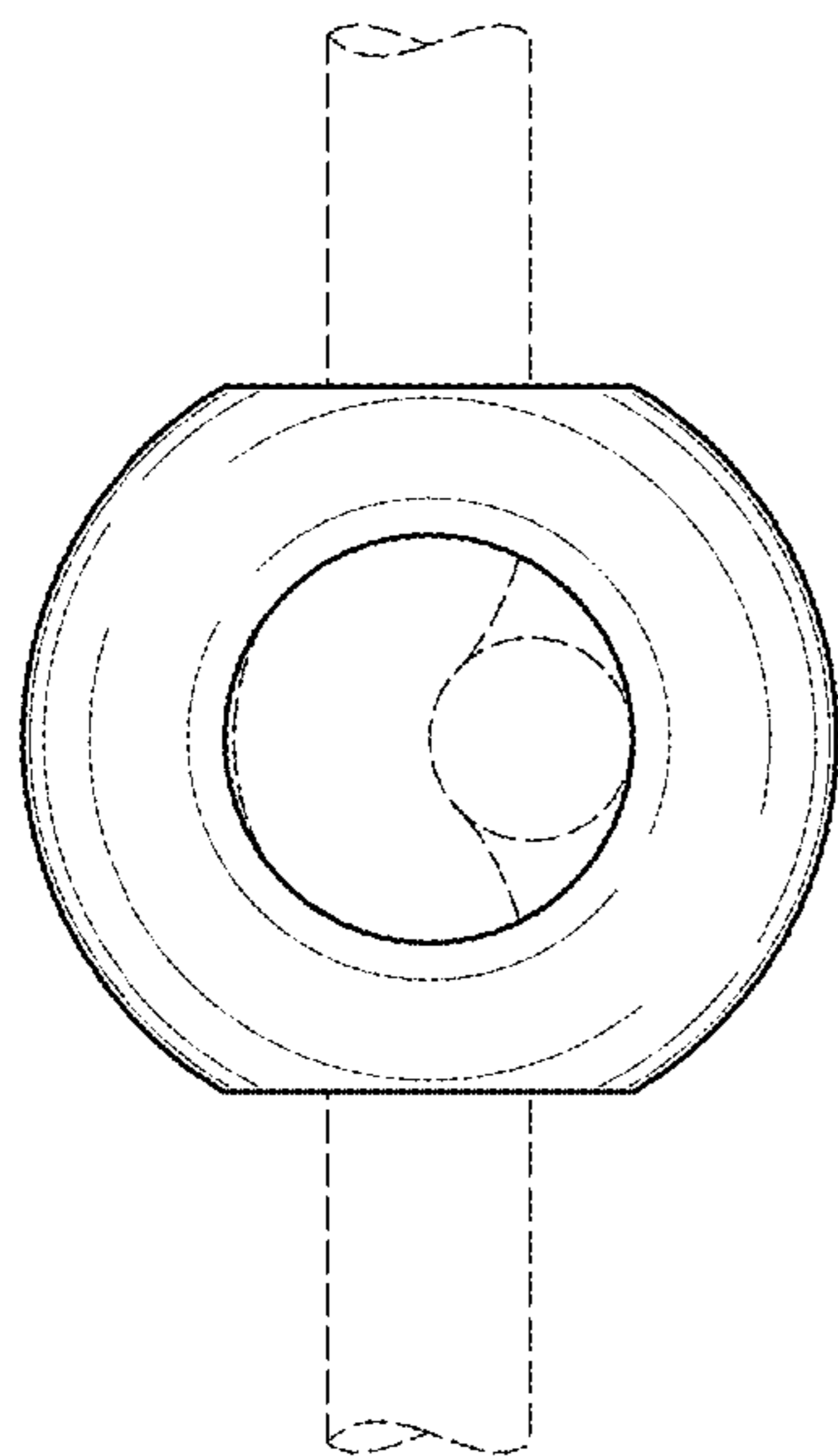


FIG. 4

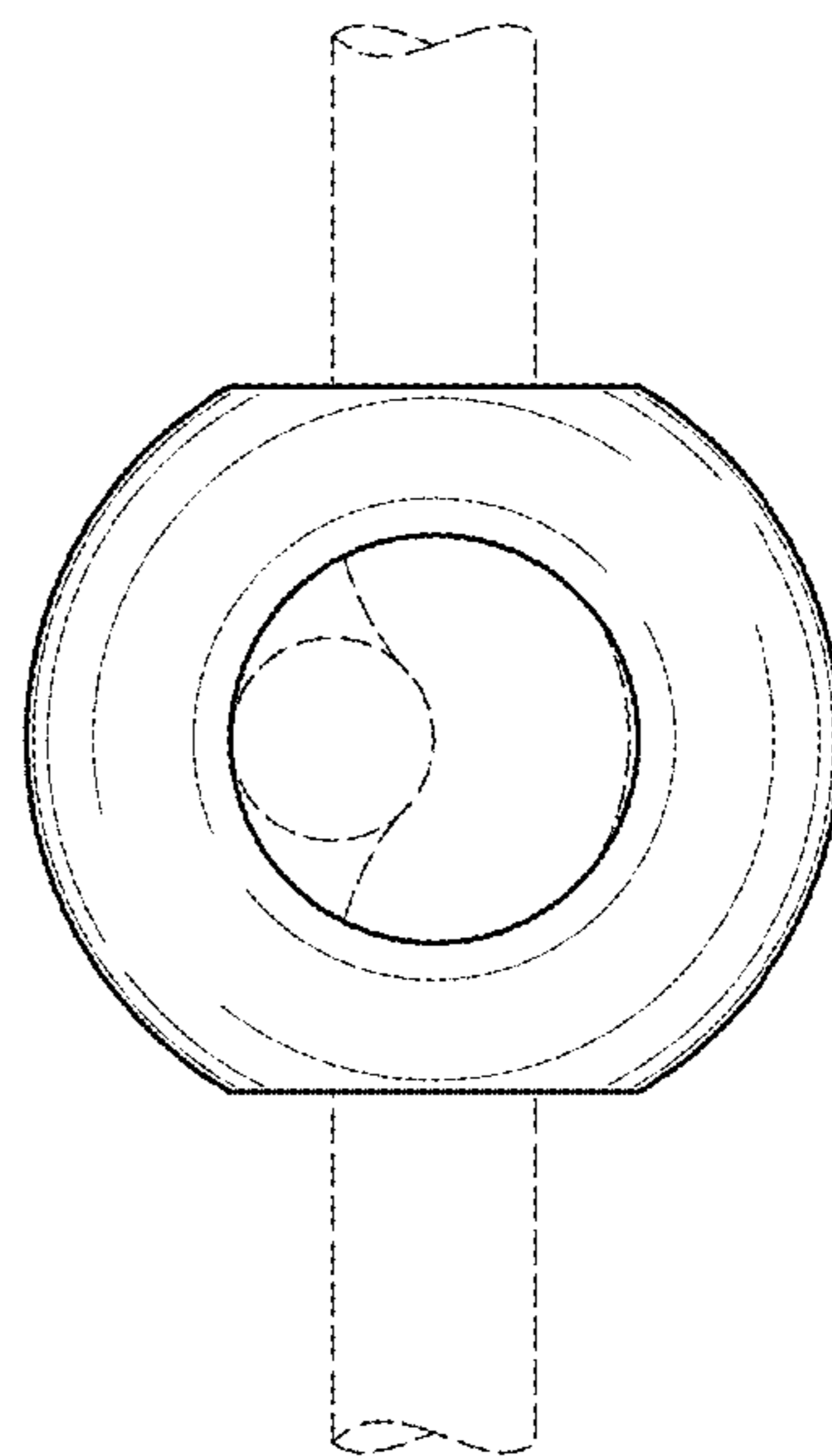


FIG. 5

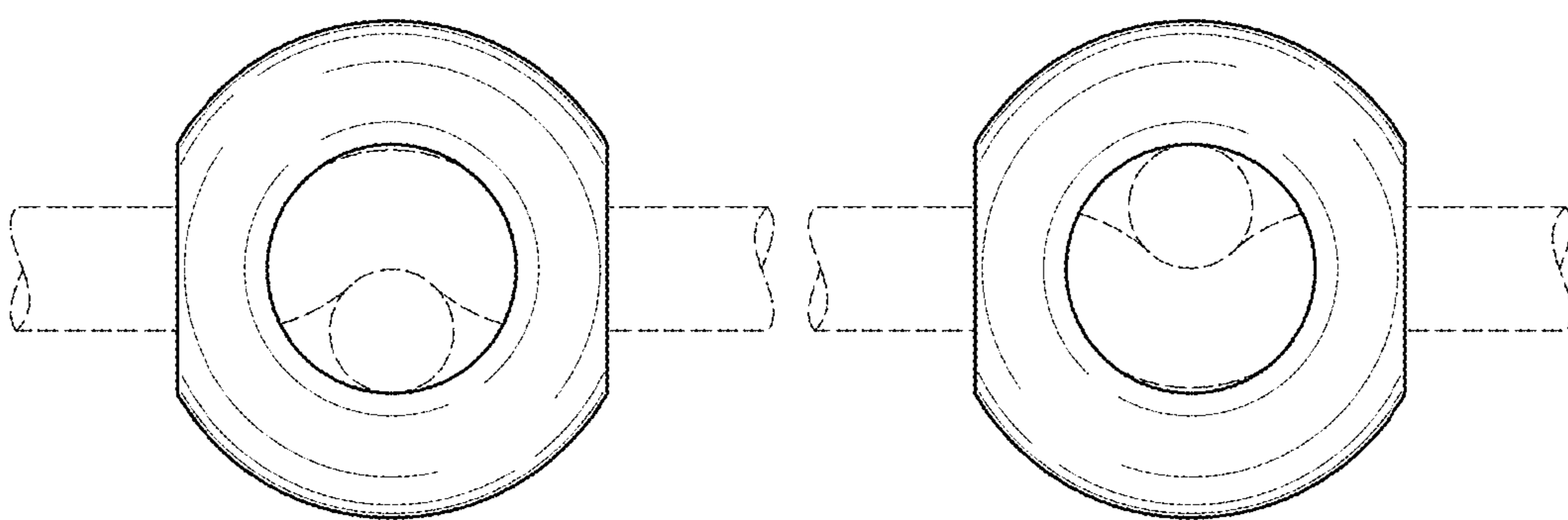


FIG. 6

FIG. 7