



US00D771477S

(12) **United States Design Patent**  
**Anderson**

(10) **Patent No.:** **US D771,477 S**

(45) **Date of Patent:** **\*\* Nov. 15, 2016**

(54) **RAIL FOR A WINDOW COVERING**

(71) Applicant: **Hunter Douglas Inc.**, Pearl River, NY  
(US)

(72) Inventor: **Richard Anderson**, Whitesville, KY  
(US)

(73) Assignee: **Hunter Douglas, Inc.**, Pearl River, NY  
(US)

(\*\*) Term: **14 Years**

(21) Appl. No.: **29/520,798**

(22) Filed: **Mar. 18, 2015**

**Related U.S. Application Data**

(62) Division of application No. 29/459,555, filed on Jul. 1, 2013, now abandoned.

(51) **LOC (10) Cl.** ..... **08-05**

(52) **U.S. Cl.**  
USPC ..... **D8/377**; D25/55; D25/121

(58) **Field of Classification Search**  
USPC ..... D25/38.1, 39, 40, 41.1, 43, 44, 55, 102, D25/117, 119-124, 126, 133, 136, 138, 141, D25/148, 160, 164; D20/42, 43, 44; D6/329, 675.2, 675.4, 675.5, 702, D6/709.2, 709.21, 711.1, 712, 831, 843; D8/377, 395, 396; D34/35; 52/86, 88, 52/272, 273, 285.3, 287.1, 831, 843; 160/45-46, 48, 65, 66, 239, 240, 353, 160/354, 368.1, 369, 371-372, 377  
CPC .. E06B 3/5454; E06B 3/66366; E06B 3/667; E06B 2003/66395; E06B 2003/6258; E06B 9/42; E06B 9/322; E06B 9/388  
See application file for complete search history.

(56) **References Cited**

**U.S. PATENT DOCUMENTS**

D203,160 S \* 12/1965 Blum ..... D25/121  
D358,982 S \* 6/1995 Bosgoed ..... D25/122  
D414,880 S \* 10/1999 Giese ..... D25/122

D414,881 S \* 10/1999 Giese ..... D25/123  
D415,292 S \* 10/1999 Giese ..... D25/123  
6,062,292 A \* 5/2000 Bryant ..... E06B 9/303  
160/173 R  
D439,461 S \* 3/2001 Brunell ..... D6/580  
D551,775 S \* 9/2007 McGinness ..... D25/135  
D753,412 S \* 4/2016 Anderson ..... D6/580  
D753,413 S \* 4/2016 Anderson ..... D6/580  
2004/0261954 A1 \* 12/2004 Holt ..... E06B 9/322  
160/84.05  
2008/0035281 A1 \* 2/2008 Kirby ..... E06B 9/42  
160/265  
2009/0008046 A1 \* 1/2009 Roetgering ..... E06B 9/322  
160/321  
2009/0014132 A1 \* 1/2009 Cheng ..... E06B 9/322  
160/168.1 P  
2012/0006929 A1 \* 1/2012 Hendriks ..... E06B 9/322  
242/388.6  
2015/0197984 A1 \* 7/2015 Anderson ..... E06B 9/322  
160/298  
2015/0218879 A1 \* 8/2015 Anderson ..... E06B 9/388  
49/465  
2016/0010389 A1 \* 1/2016 Anderson ..... E06B 9/322  
188/65.1

\* cited by examiner

*Primary Examiner* — Cynthia Ramirez

*Assistant Examiner* — L Lorelys Martinez-Rivera

(74) *Attorney, Agent, or Firm* — Dority & Manning, P.A.

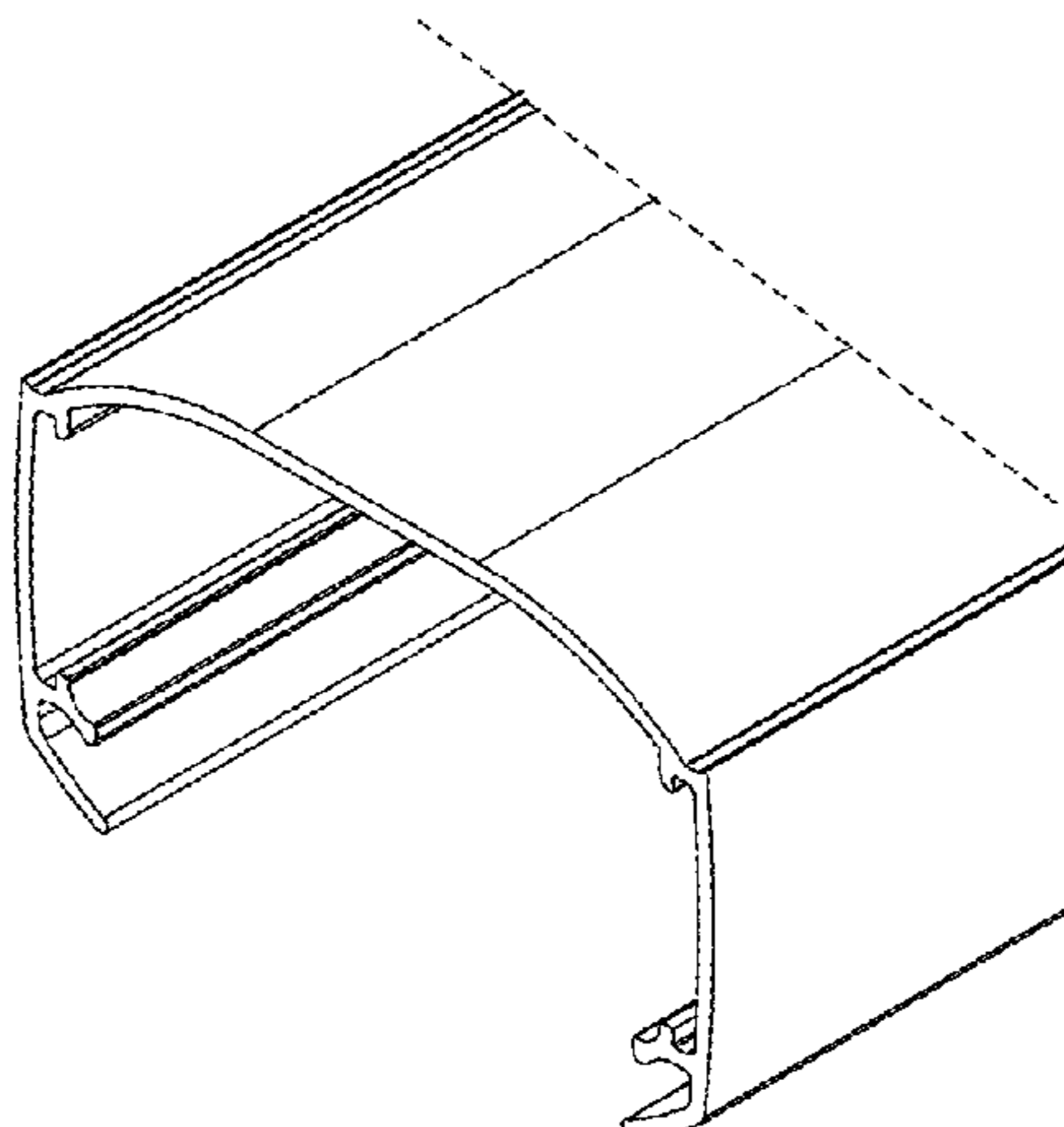
(57) **CLAIM**

The ornamental design for a rail for a window covering, as shown and described.

**DESCRIPTION**

FIG. 1 is a perspective view of a rail for a window covering showing my new design;  
FIG. 2 is a left end view thereof, which is the same as the right end view thereof;  
FIG. 3 is a front view thereof, which is the same as the rear view thereof;  
FIG. 4 is a top view thereof; and,  
FIG. 5 is a bottom view thereof.  
The broken line in the figures is a cut-line and forms no part of the claimed design. Any portions of the rail for a window covering that are not shown in the drawings form no part of the claimed design.

**1 Claim, 1 Drawing Sheet**



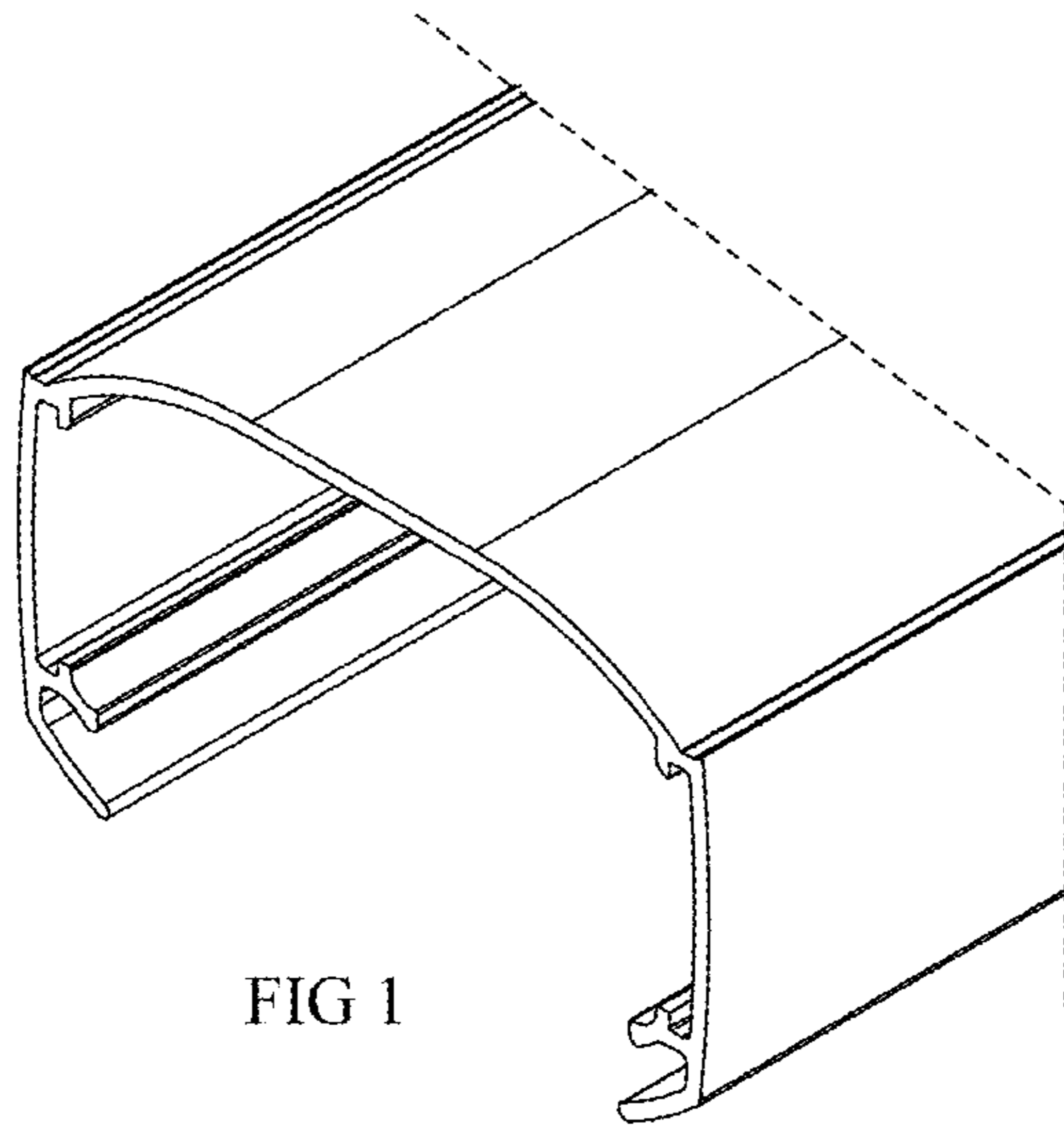


FIG 1

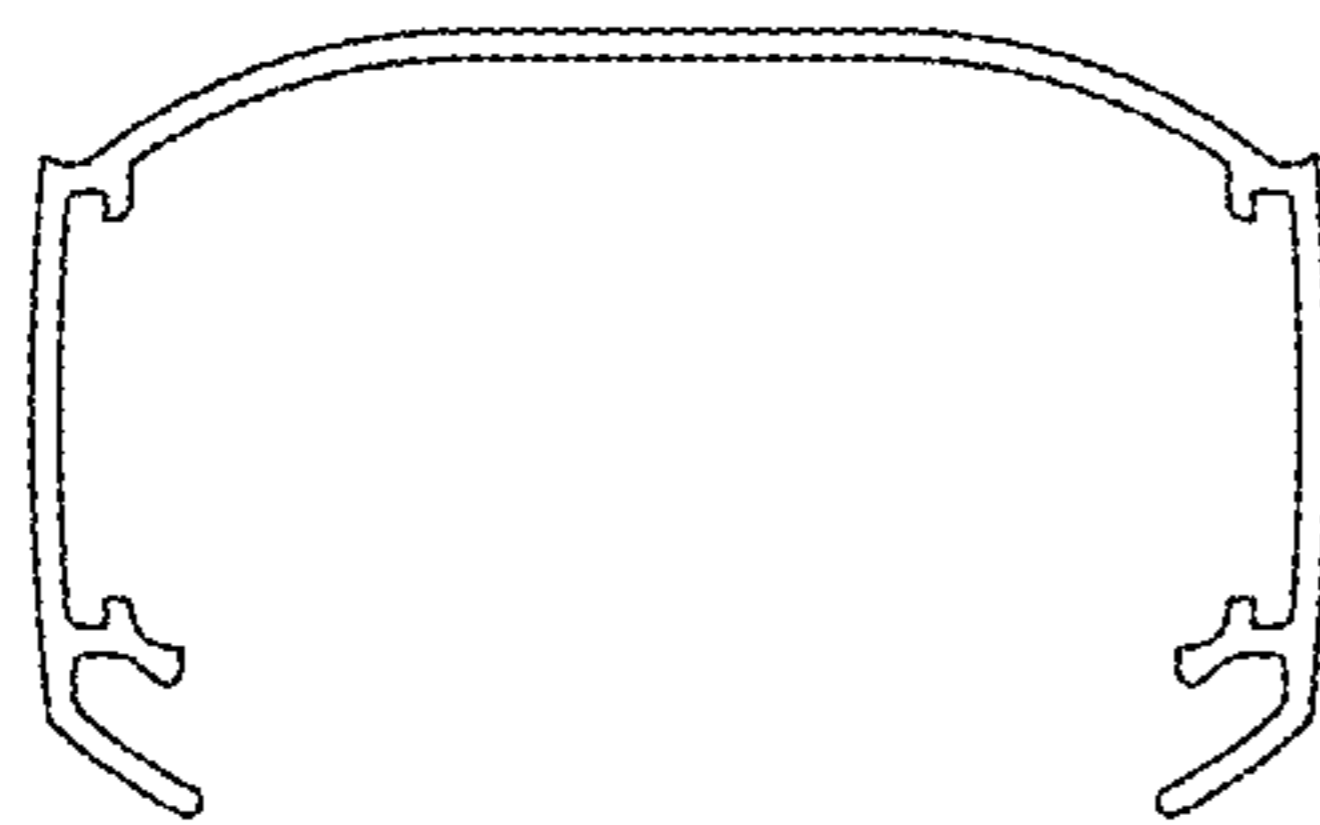


FIG 2

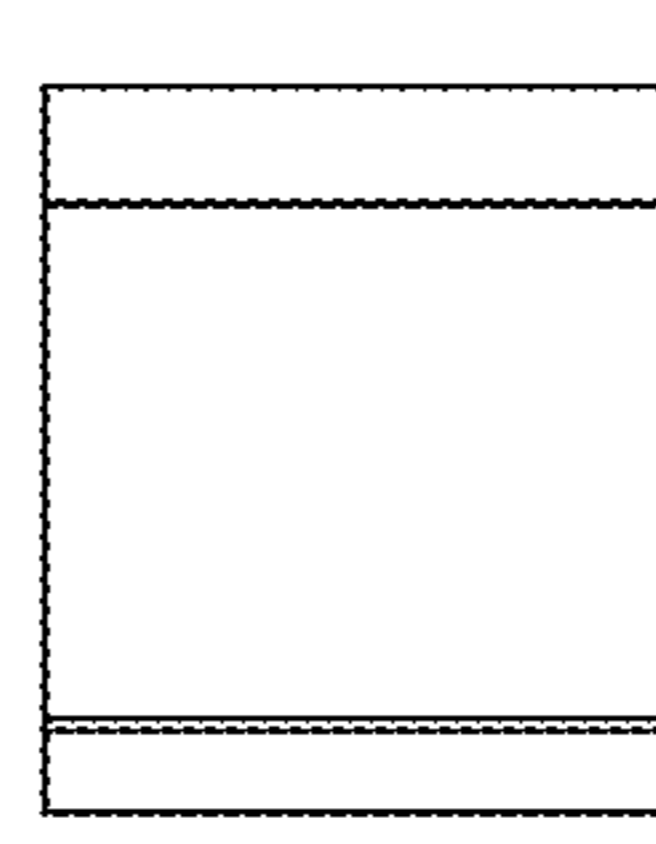


FIG 3

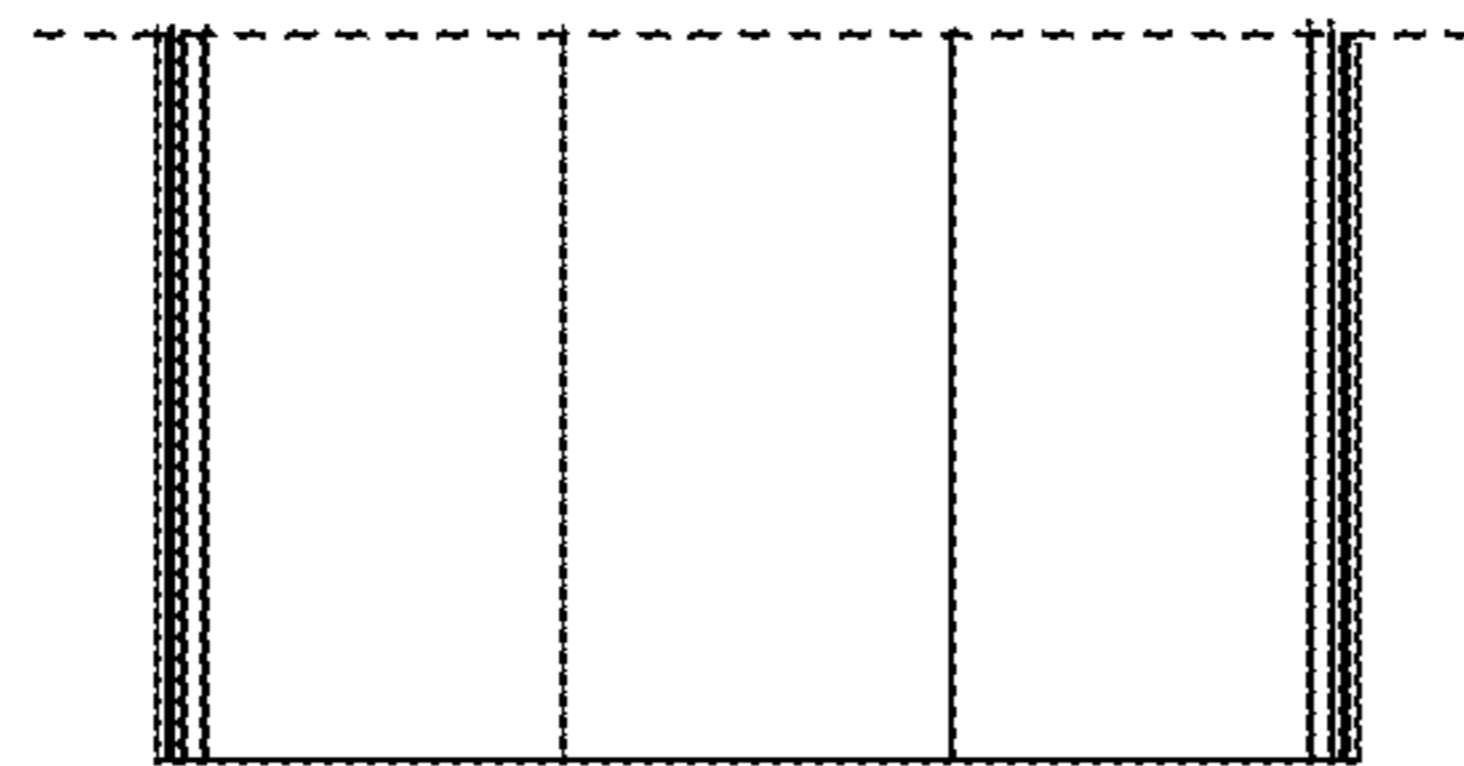


FIG 4

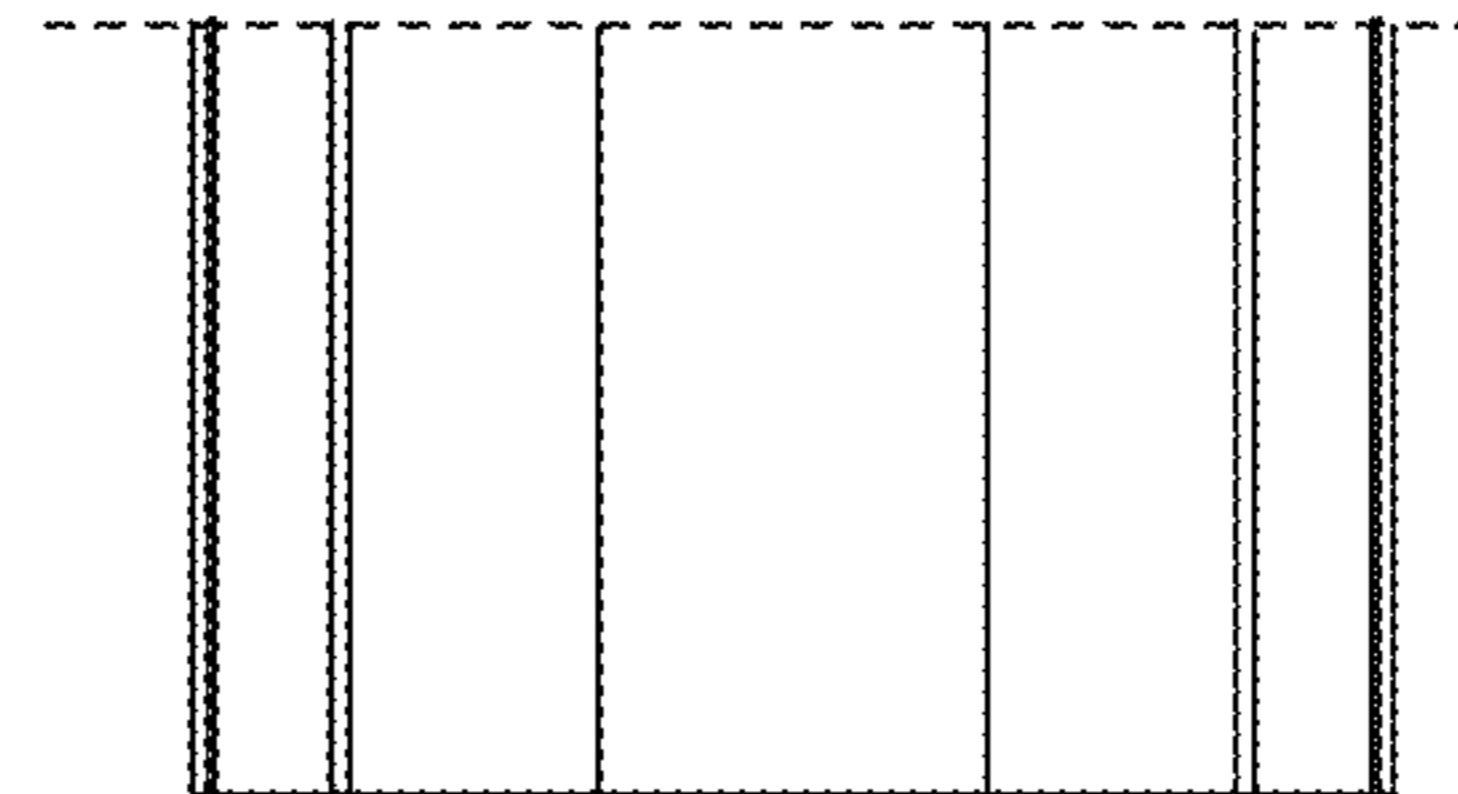


FIG 5