



US00D771476S

(12) **United States Design Patent** (10) **Patent No.:** **US D771,476 S**
Prince et al. (45) **Date of Patent:** **** Nov. 15, 2016**

(54) **HANDLE HOLDER**
(71) Applicant: **3M INNOVATIVE PROPERTIES COMPANY**, St. Paul, MN (US)
(72) Inventors: **David J. Prince**, St. Paul, MN (US);
Angela L. Pan, Woodbury, MN (US)
(73) Assignee: **3M INNOVATIVE PROPERTIES COMPANY**, St. Paul, MN (US)

D337,681 S 7/1993 Sharpe
D342,005 S * 12/1993 Forsberg D8/72
D342,440 S * 12/1993 Forsberg D8/373
D348,196 S * 6/1994 Forsberg D8/72
D413,035 S * 8/1999 Weterrings et al. D6/572
D423,847 S 5/2000 Roth

(Continued)

FOREIGN PATENT DOCUMENTS

AU 333417 10/2010
GB D1053096 3/1989

(Continued)

(**) Term: **14 Years**
(21) Appl. No.: **29/497,267**

OTHER PUBLICATIONS

The Toolflex is a hanger at where it can be installed anywhere, Toolflex, Jun. 24, 2009, p. 2, (JPO Reference No. HC21002138).

(Continued)

(22) Filed: **Jul. 22, 2014**
(51) **LOC (10) Cl.** **08-05**
(52) **U.S. Cl.**
USPC **D8/373**
(58) **Field of Classification Search**
USPC D8/375, 374, 381, 382, 380, 318, 373,
D8/377, 363, 358, 384, 376, 385, 388, 389,
D8/355, 394, 356, 396; D3/279, 271.12;
D12/223; D34/14, 19, 24, 25, 27;
D21/424, 425, 533, 534, 535, 536;
D20/41, 43; D4/199; D19/135;
D25/131
CPC B25H 3/04; A47F 7/0021; A47B 81/007;
A47B 96/063
See application file for complete search history.

Primary Examiner — Robert M Spear
Assistant Examiner — Eliza Bennett-Hattan
(74) *Attorney, Agent, or Firm* — Irina Hass

(57) **CLAIM**

The ornamental design for a handle holder, as shown and described.

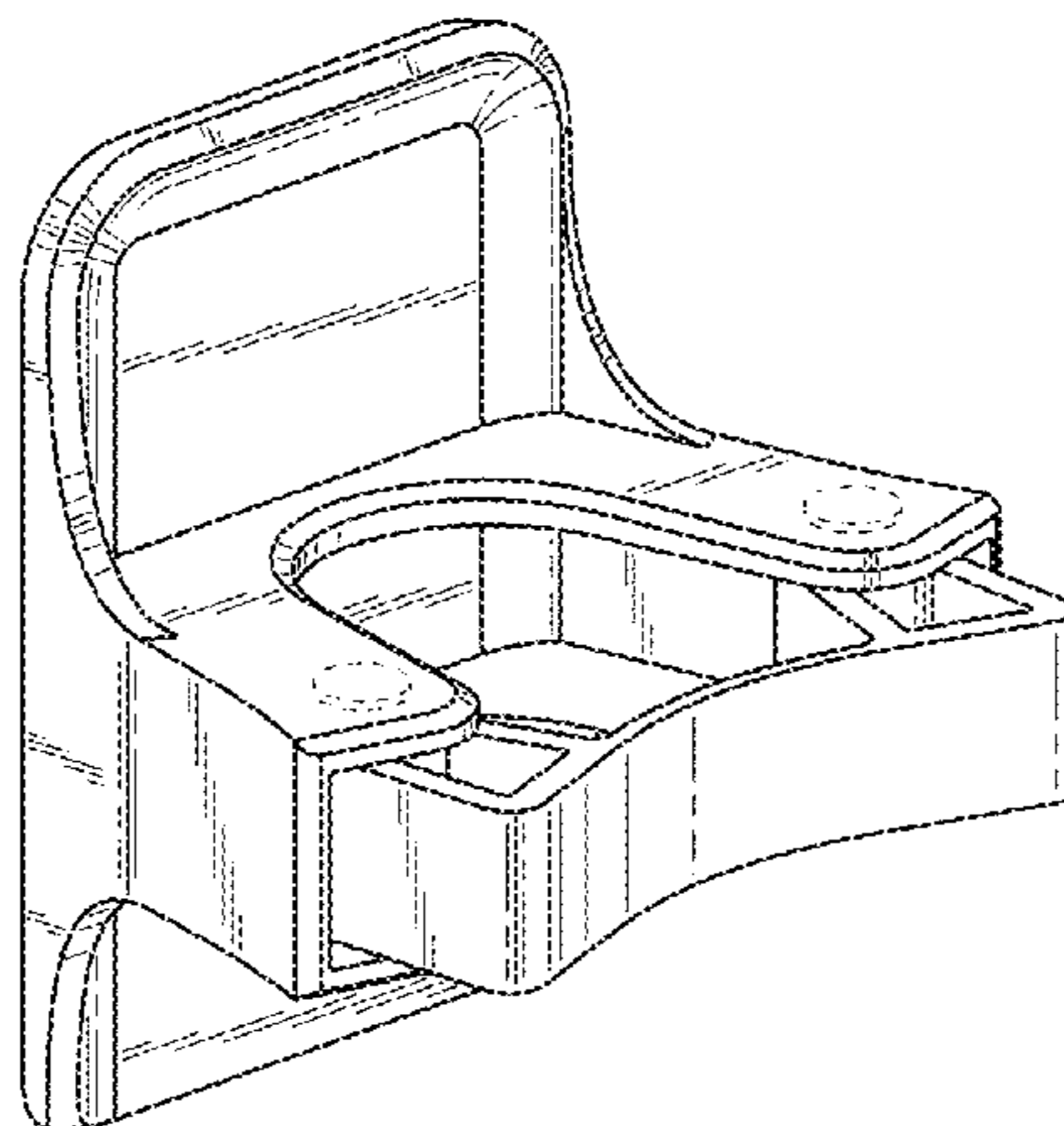
DESCRIPTION

FIG. 1 is a perspective view showing the new design for a handle holder;
FIG. 2 is a front view thereof;
FIG. 3 is a rear view thereof;
FIG. 4 is a left side view thereof, a right side view being a mirror image thereof;
FIG. 5 is a top view thereof; and,
FIG. 6 is a bottom view thereof.
The portions of the handle holder in FIGS. 1-6 shown in broken lines are included to show features that form no part of the claimed design.

(56) **References Cited**
U.S. PATENT DOCUMENTS

2,371,433 A * 3/1945 Davis 211/70.6
D157,147 S 12/1948 Hallenscheid
D173,684 S 12/1954 Simpson
D203,295 S * 12/1965 Wells D8/396
D224,085 S * 7/1972 Cuva D8/363
D251,684 S 4/1979 Wood
D294,906 S 3/1988 Pool
D302,503 S * 8/1989 Gerry et al. D6/512
D306,689 S 3/1990 Hamann

1 Claim, 3 Drawing Sheets



(56)

References Cited

U.S. PATENT DOCUMENTS

6,264,147 B1 7/2001 Mitchell
D455,643 S * 4/2002 Aubin D8/373
D480,245 S 10/2003 Johansson
6,932,312 B1 8/2005 Chen
D592,436 S 5/2009 Thompson
D636,657 S * 4/2011 Quinlan et al. D8/354
D642,039 S * 7/2011 Forsberg et al. D8/72
D646,961 S * 10/2011 Hampton et al. D8/373
D667,293 S 9/2012 Thompson
D672,223 S 12/2012 Thompson
D680,780 S 4/2013 Gilboe
D697,389 S 1/2014 Pan
D714,621 S 10/2014 Pan
D714,622 S 10/2014 Pan
D714,623 S 10/2014 Pan
D715,133 S 10/2014 Pan
D715,624 S 10/2014 Thompson
D715,625 S 10/2014 Pan
D715,626 S 10/2014 Pan
8,979,054 B2 3/2015 Thompson
D730,165 S 5/2015 Refior
D737,435 S 8/2015 Ha

D751,372 S 3/2016 Thompson
D753,472 S 4/2016 Pan
2005/0178936 A1* 8/2005 Chen 248/230.1

FOREIGN PATENT DOCUMENTS

GB D2031499 9/1993
GB D3000771 4/2002
GB D4033850 1/2014
TW D142488 9/2011
TW D147761 6/2012

OTHER PUBLICATIONS

The Toolflex is a hanger at where it can be installed anywhere, Toolflex, Jun. 24, 2009, p. 2, (JPO Reference No. HC21002137).
Vikan Hygiene System Jun. 18, 2014, p. 13, 1017, (JPO Reference No. HC26003890).
Rehabilitationsmittel Und Alltagshilfen, Jan. 31, 2003, p. 140, (JPO Reference No. HD14035270).
W.W. Grainger, Inc., Homepage, 24K358, Feb. 22, 2003, (JPO Reference No. HJ24067547).
W.W. Grainger, Inc., Homepage, Sep. 30, 2014, (JPO Reference No. HJ26039964).

* cited by examiner

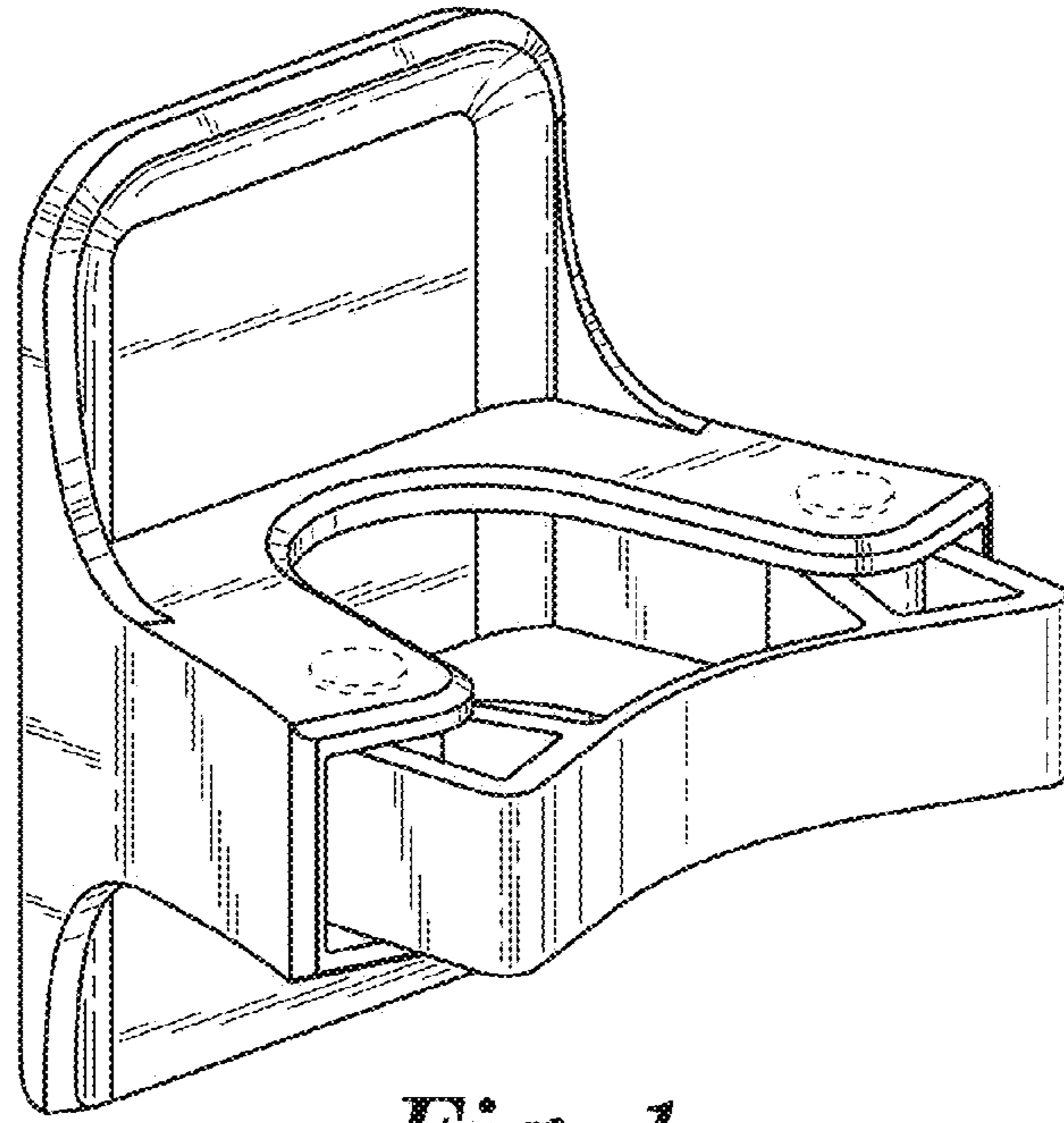


Fig. 1

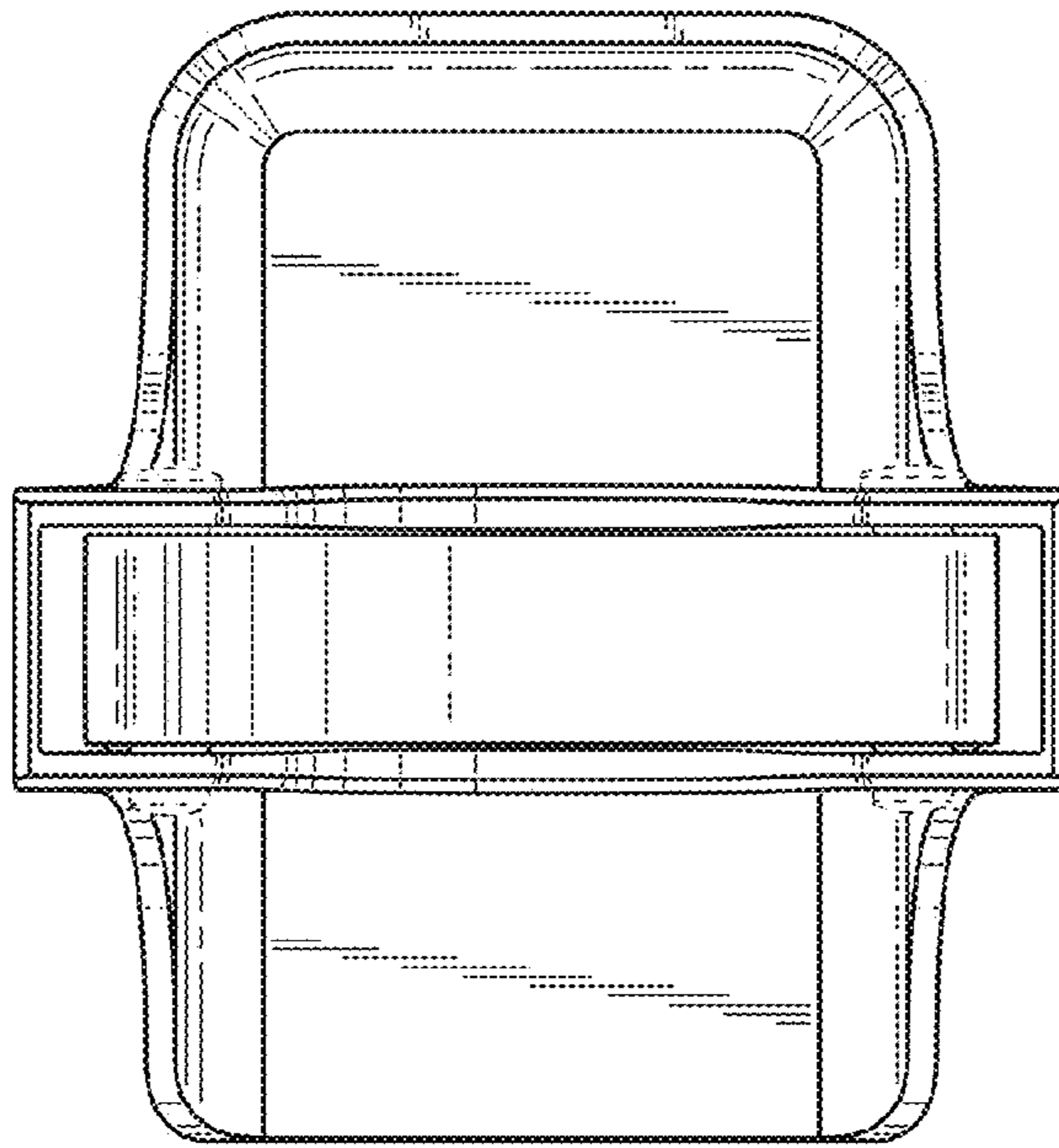


Fig. 2

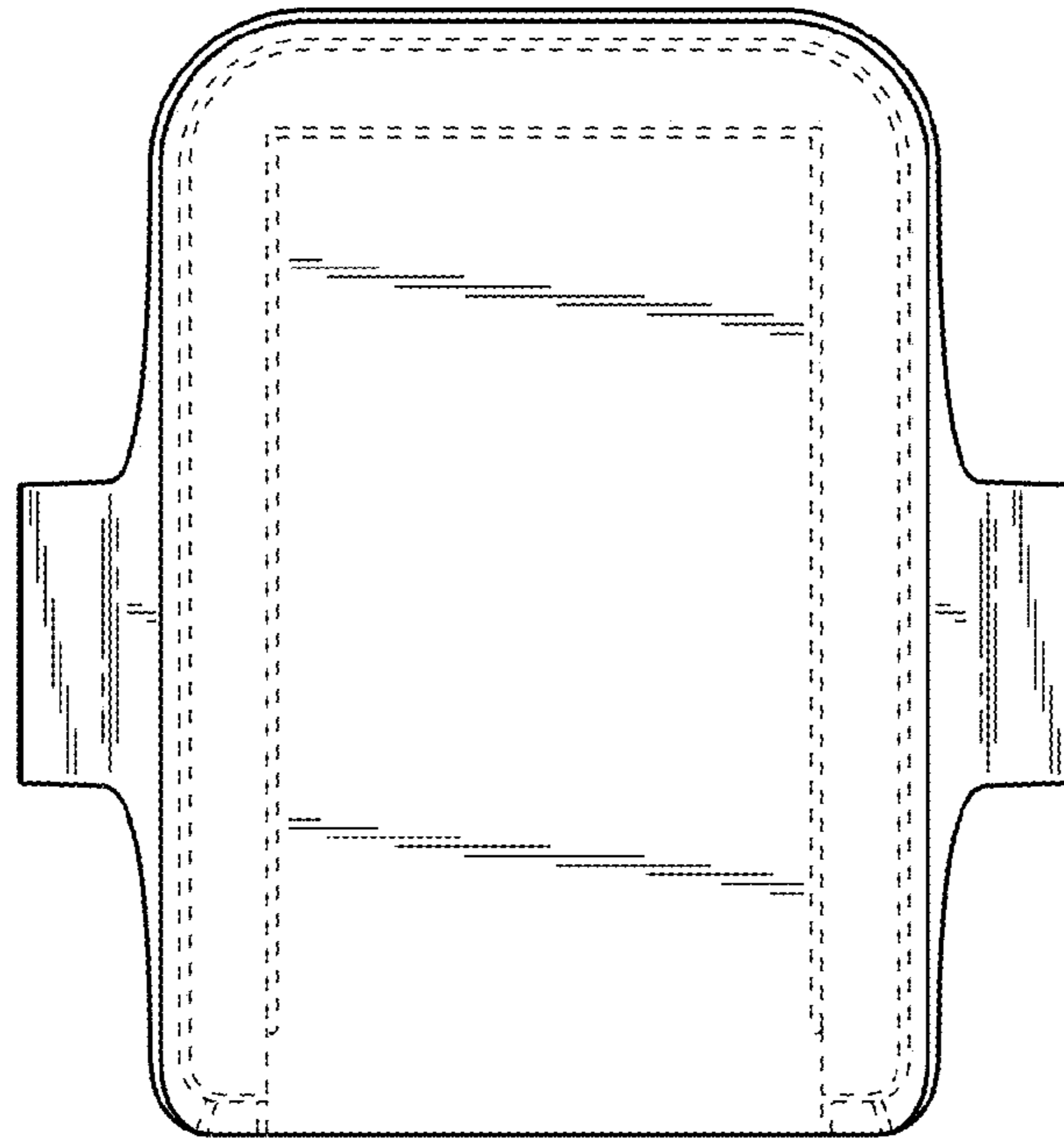


Fig. 3

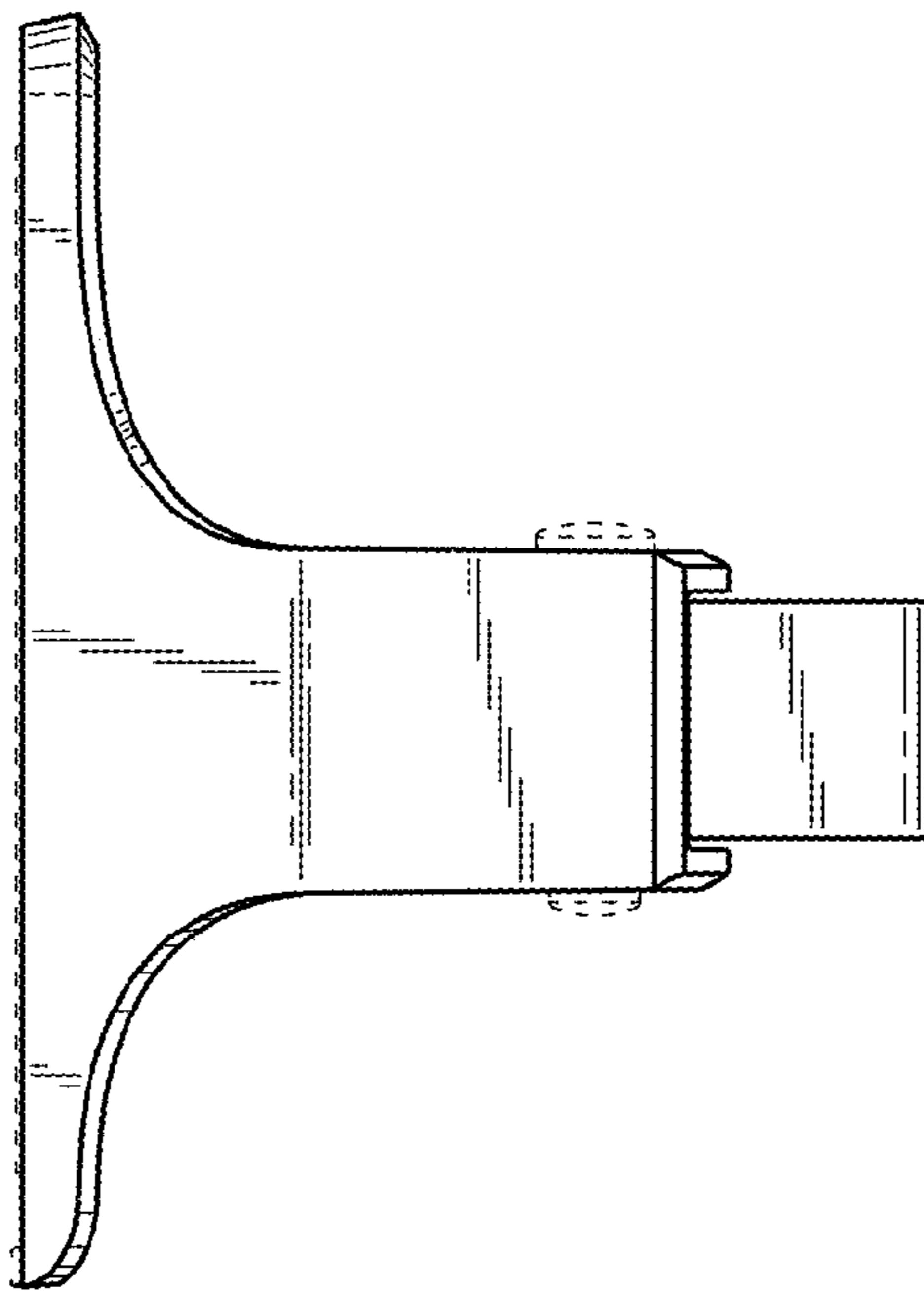


Fig. 4

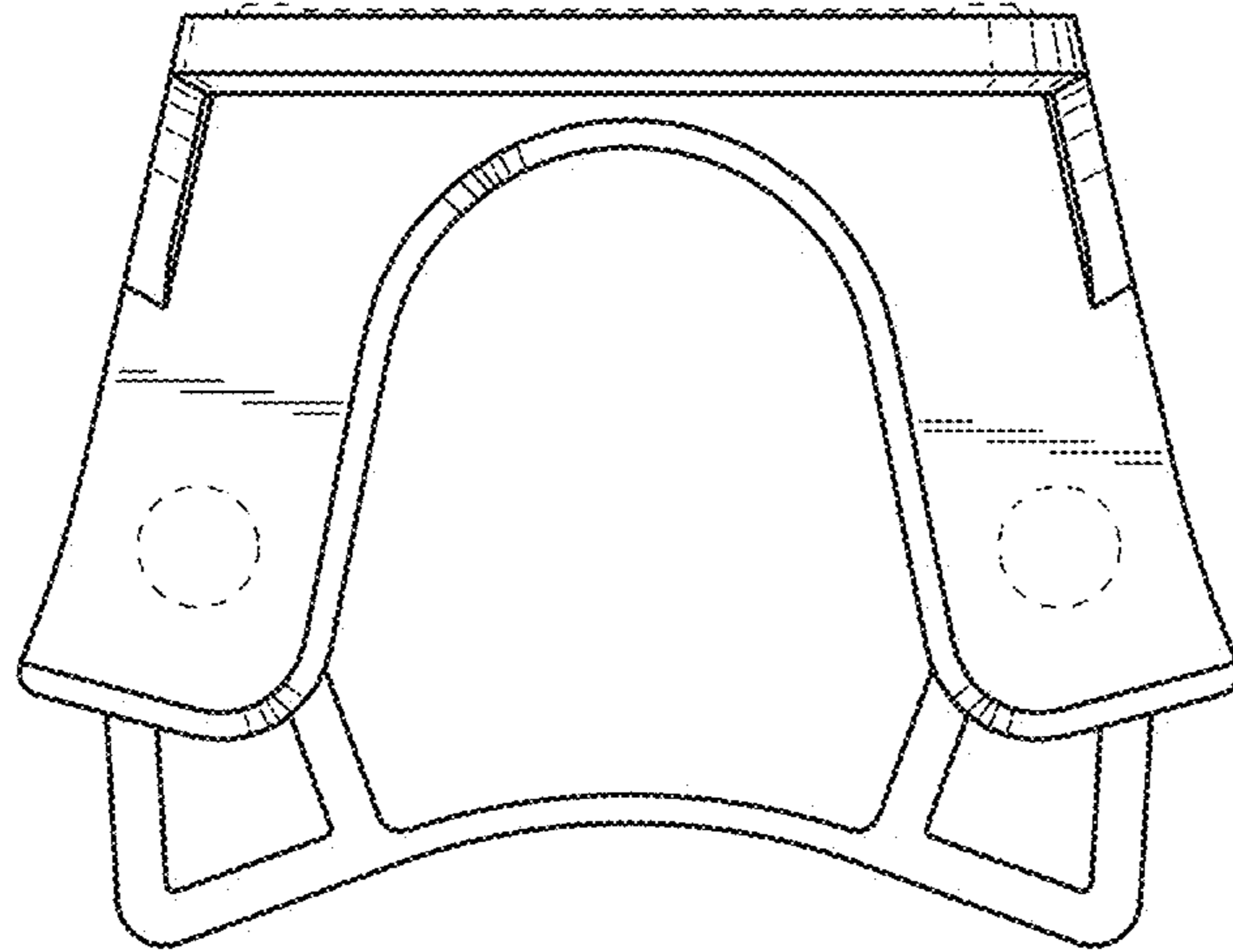


Fig. 5

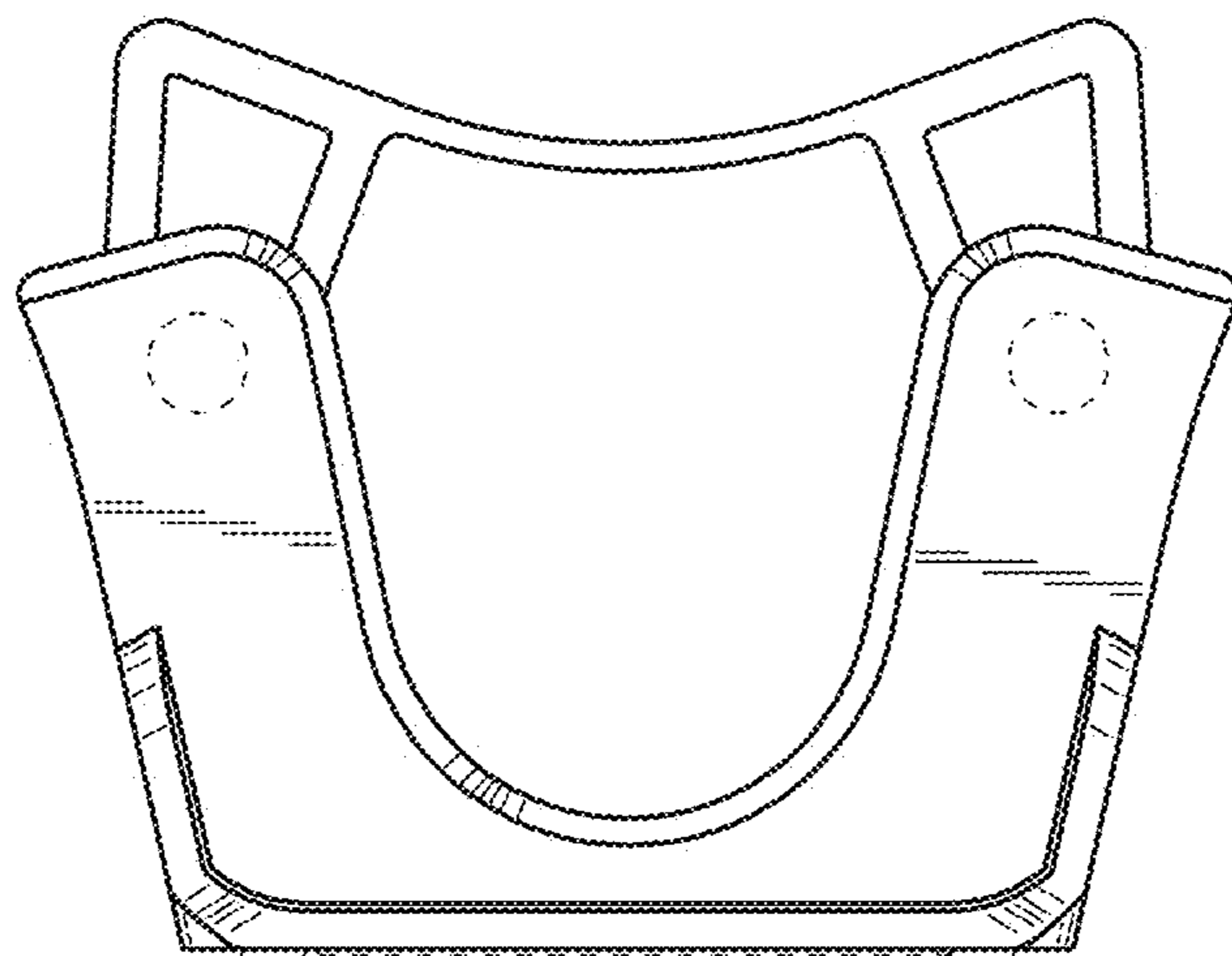


Fig. 6