



US00D771475S

(12) **United States Design Patent** (10) **Patent No.:** **US D771,475 S**
Pan (45) **Date of Patent:** **** Nov. 15, 2016**

(54) **HOLDER**

(71) Applicant: **3M INNOVATIVE PROPERTIES COMPANY**, St. Paul, MN (US)

(72) Inventor: **Angela L. Pan**, Arden Hills, MN (US)

(73) Assignee: **3M INNOVATIVE PROPERTIES COMPANY**, St. Paul, MN (US)

(**) Term: **15 Years**

(21) Appl. No.: **29/543,763**

(22) Filed: **Oct. 28, 2015**

(51) **LOC (10) Cl.** **08-05**

(52) **U.S. Cl.**
USPC **D8/367**

(58) **Field of Classification Search**
USPC D34/35; D8/367
CPC F16B 45/02; F16B 47/00; B66C 1/125;
B66C 1/36; A62B 35/0037
See application file for complete search history.

(56) **References Cited**

U.S. PATENT DOCUMENTS

D212,379 S	*	10/1968	Dudas et al.	D7/393
D261,349 S	*	10/1981	Ryser	D7/393
D284,444 S	*	7/1986	Baumgarten	D7/393
D442,073 S	*	5/2001	Lyndon	D6/323
D490,694 S	*	6/2004	Levine-Umans	D8/363

D523,251 S	*	6/2006	Parpala	D6/352
D524,097 S	*	7/2006	Magnouloux	D7/393
D613,291 S	*	4/2010	Carver	D14/218
D633,902 S	*	3/2011	Tokuno	D14/244
D653,521 S	*	2/2012	Wike	D8/310
D667,720 S	*	9/2012	Berkowitz	D8/367
D681,420 S	*	5/2013	Ileuov	D8/354
D696,673 S	*	12/2013	Vogel	D14/447
D716,133 S	*	10/2014	Pan	
D723,573 S	*	3/2015	Padro	D14/447
2012/0118770 A1	*	5/2012	Valls	F16M 11/10 206/320
2013/0075563 A1	*	3/2013	Tsai	F16B 47/00 248/309.3

* cited by examiner

Primary Examiner — Cynthia Underwood

(74) *Attorney, Agent, or Firm* — Irina Hass

(57) **CLAIM**

The ornamental design for a holder, as shown and described.

DESCRIPTION

FIG. 1 is a perspective view showing the new design for a holder;

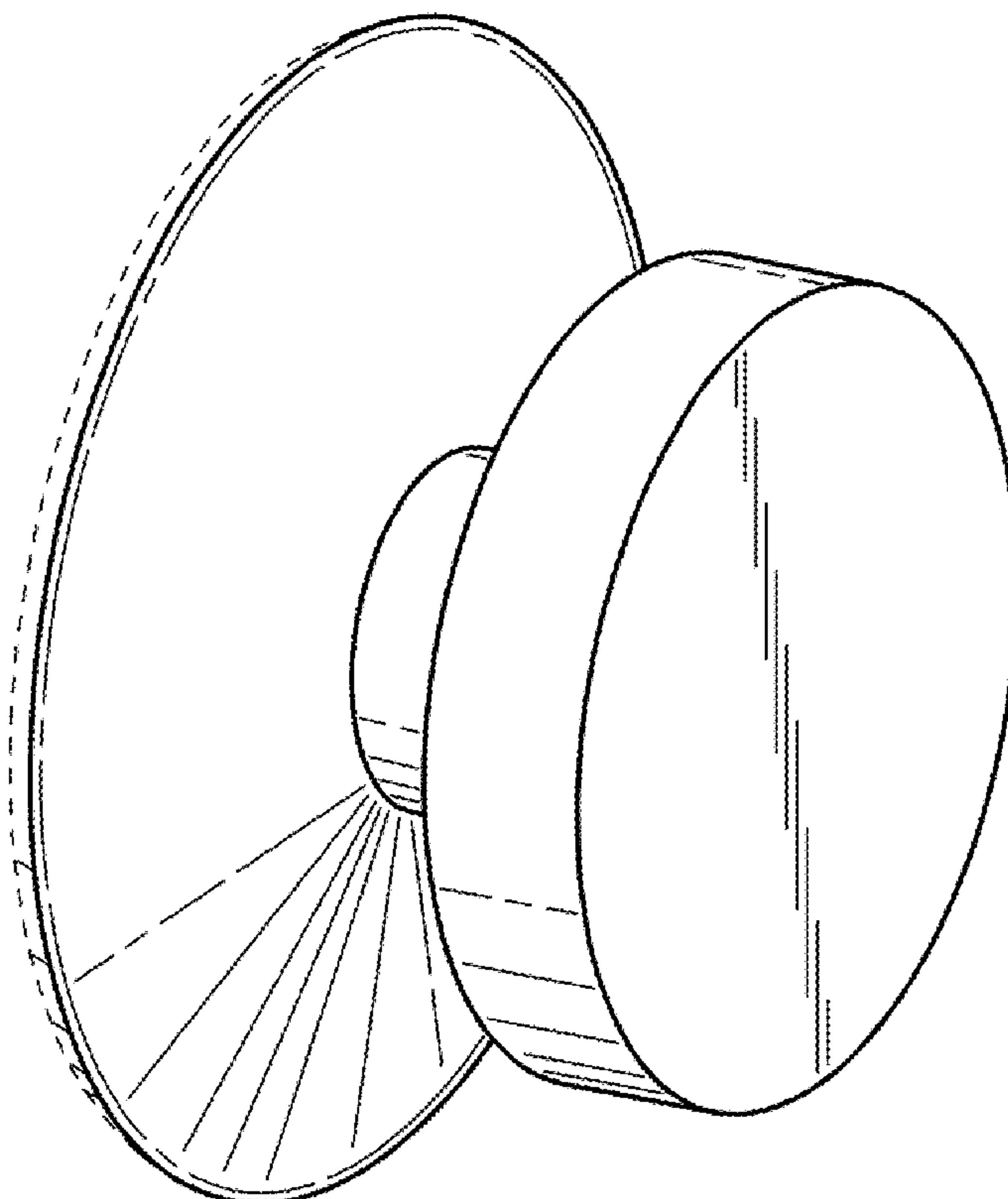
FIG. 2 is a front view thereof;

FIG. 3 is a rear view thereof; and,

FIG. 4 is a top view thereof; the bottom, left side, and right side views being identical.

The portions of the holder in FIGS. 1, 3, and 4 shown in broken lines are included to show features that form no part of the claimed design.

1 Claim, 1 Drawing Sheet



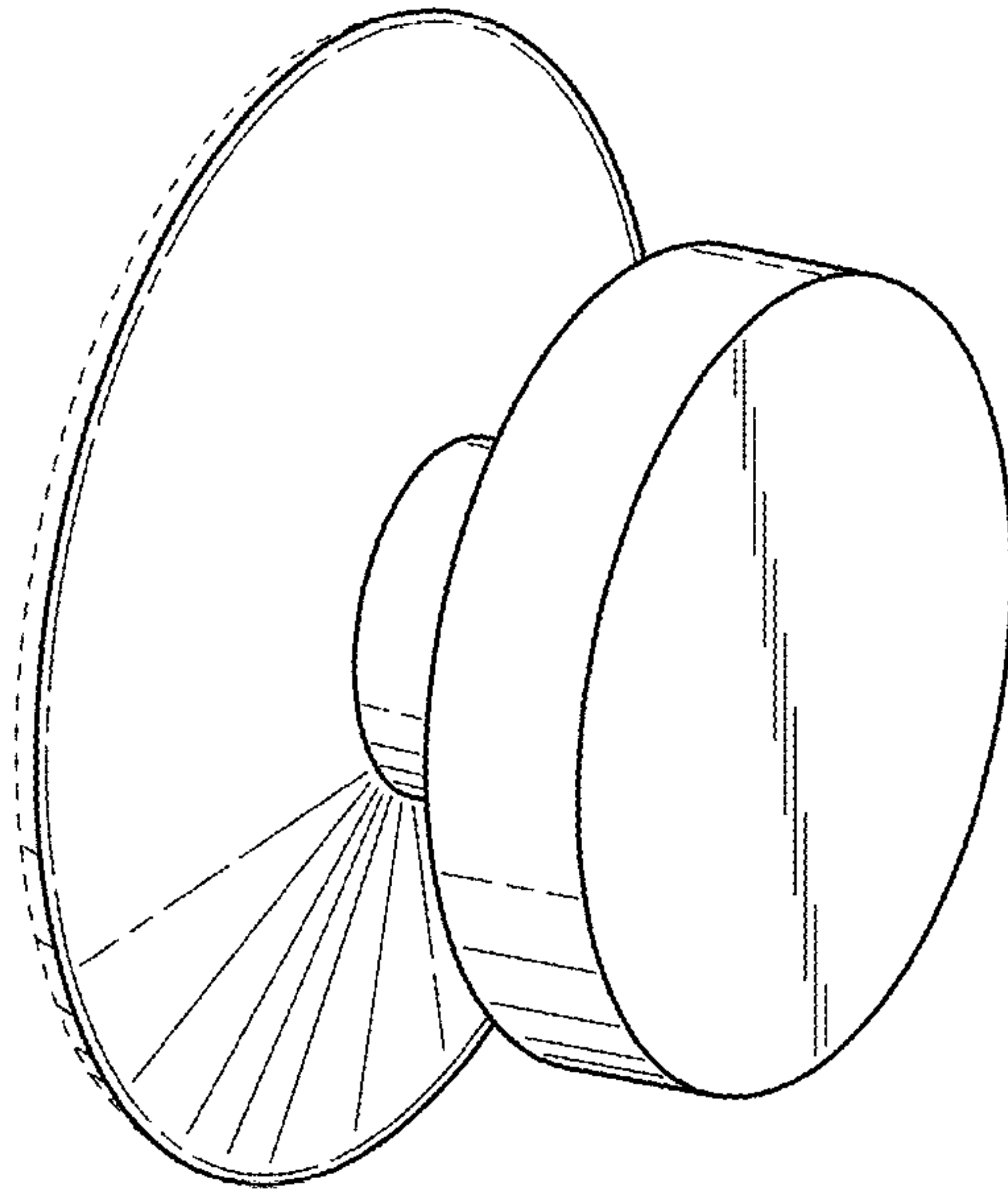


Fig. 1

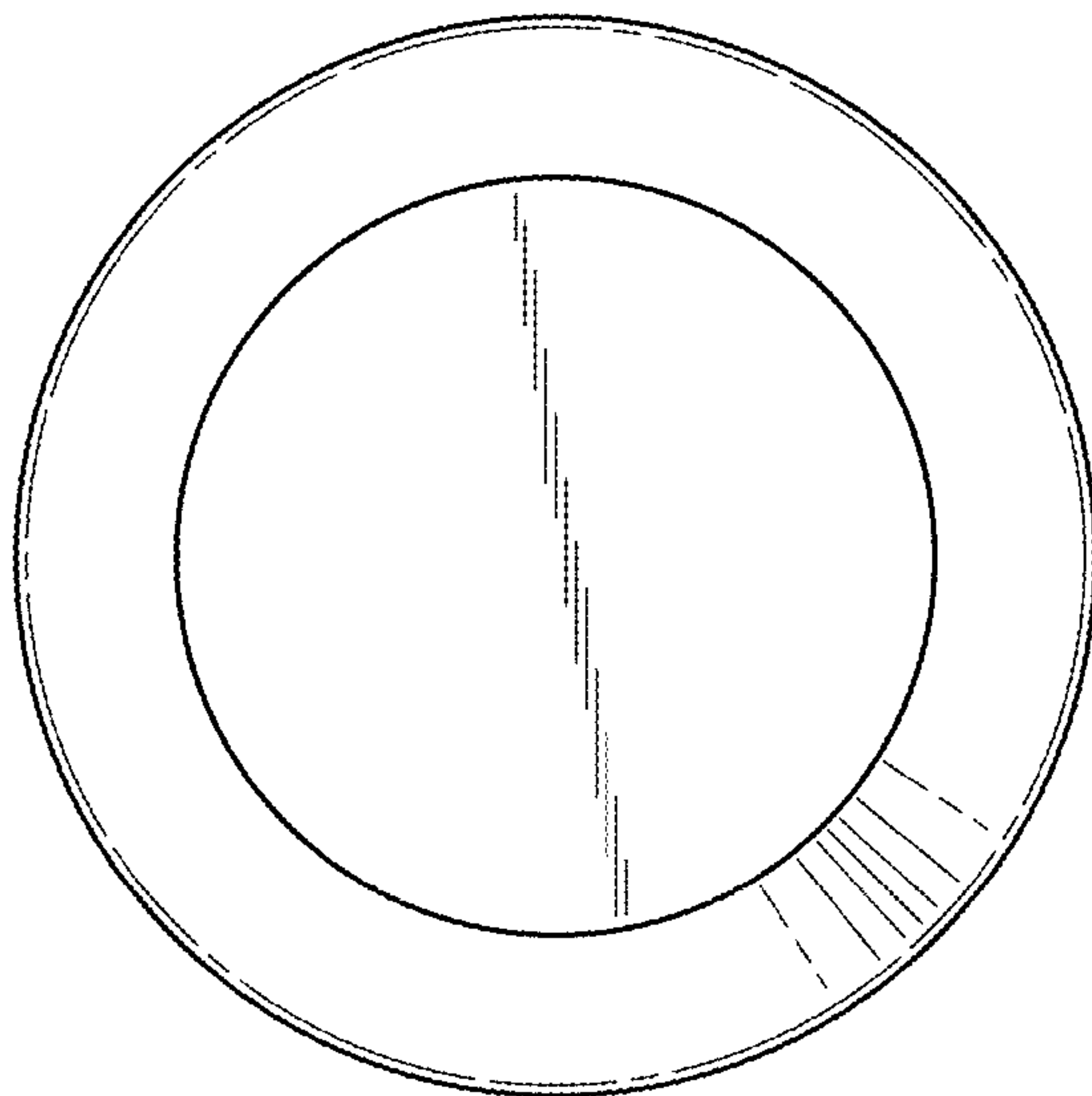


Fig. 2

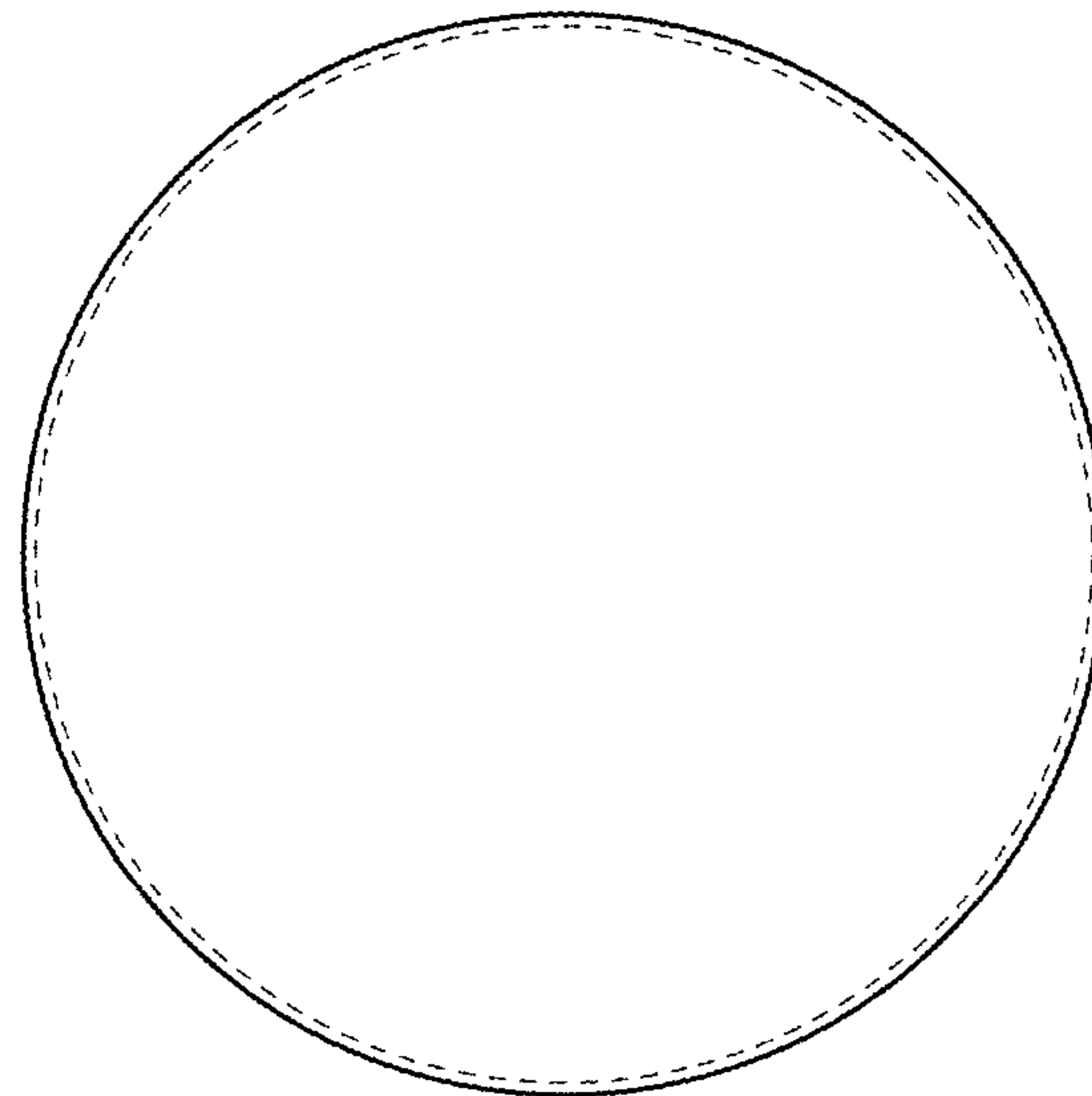


Fig. 3

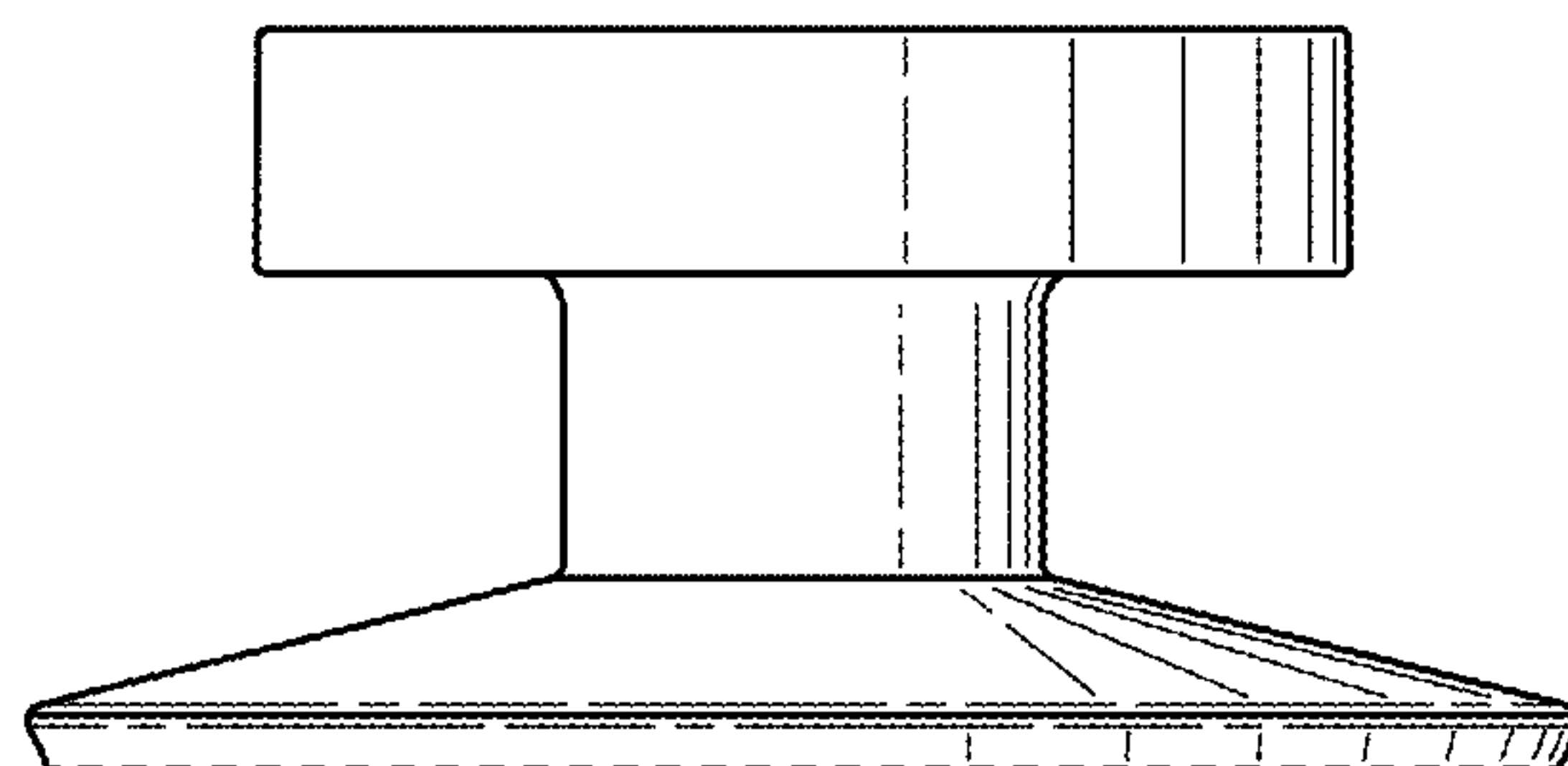


Fig. 4