



US00D771473S

(12) **United States Design Patent**
Kim

(10) **Patent No.:** **US D771,473 S**

(45) **Date of Patent:** **** *Nov. 15, 2016**

(54) **REMOTE KEY BUILT IN PROTECTIVE CASE FOR ELECTRONIC DEVICE**

8,096,412 B1 * 1/2012 Britt 206/37.3
8,359,891 B2 * 1/2013 Fujimoto 70/459
D705,642 S * 5/2014 Pellegrini D8/347

(71) Applicant: **jWIN Electronics Corp.**, Port Washington, NY (US)

* cited by examiner

(72) Inventor: **Dena M. Kim**, Great Neck, NY (US)

Primary Examiner — Prabhakar Deshmukh

(73) Assignee: **JWIN ELECTRONICS CORP.**, Port Washington, NY (US)

(74) *Attorney, Agent, or Firm* — McGuireWoods LLP

(*) Notice: This patent is subject to a terminal disclaimer.

(57) **CLAIM**

The ornamental design for a remote key built in protective case for electronic device, as shown and described.

(**) Term: **14 Years**

DESCRIPTION

(21) Appl. No.: **29/475,777**

FIG. 1 is a front elevation view of a remote key built in protective case for electronic device showing my new design;

(22) Filed: **Dec. 6, 2013**

FIG. 2 is a rear elevation view thereof;

(51) **LOC (10) Cl.** **08-07**

FIG. 3 is a right side view thereof;

(52) **U.S. Cl.**

FIG. 4 is a left side view thereof;

USPC **D8/347**

FIG. 5 is a top plan view thereof;

(58) **Field of Classification Search**

FIG. 6 is a bottom plan view thereof;

USPC D8/347, 348; 70/333 R, 336, 344, 416, 70/429, 430, 395, 408, 448, 465, 456 R, 70/398; 206/37.3, 38.1, 305, 320
See application file for complete search history.

FIG. 7 is a front perspective view thereof;

FIG. 8 is a back perspective view thereof;

FIG. 9 is an exploded rear perspective view thereof;

FIG. 10 is another exploded rear perspective view, shown with portions separated including a rear portion removed for clarity;

FIG. 11 is a front elevation view of remote, shown separately for clarity of illustration;

FIG. 12 is a rear elevation view of FIG. 11;

FIG. 13 is a right side view of FIG. 11;

FIG. 14 is a left side view of FIG. 11;

FIG. 15 is a top plan view of FIG. 11; and,

FIG. 16 is a bottom plan view of FIG. 11.

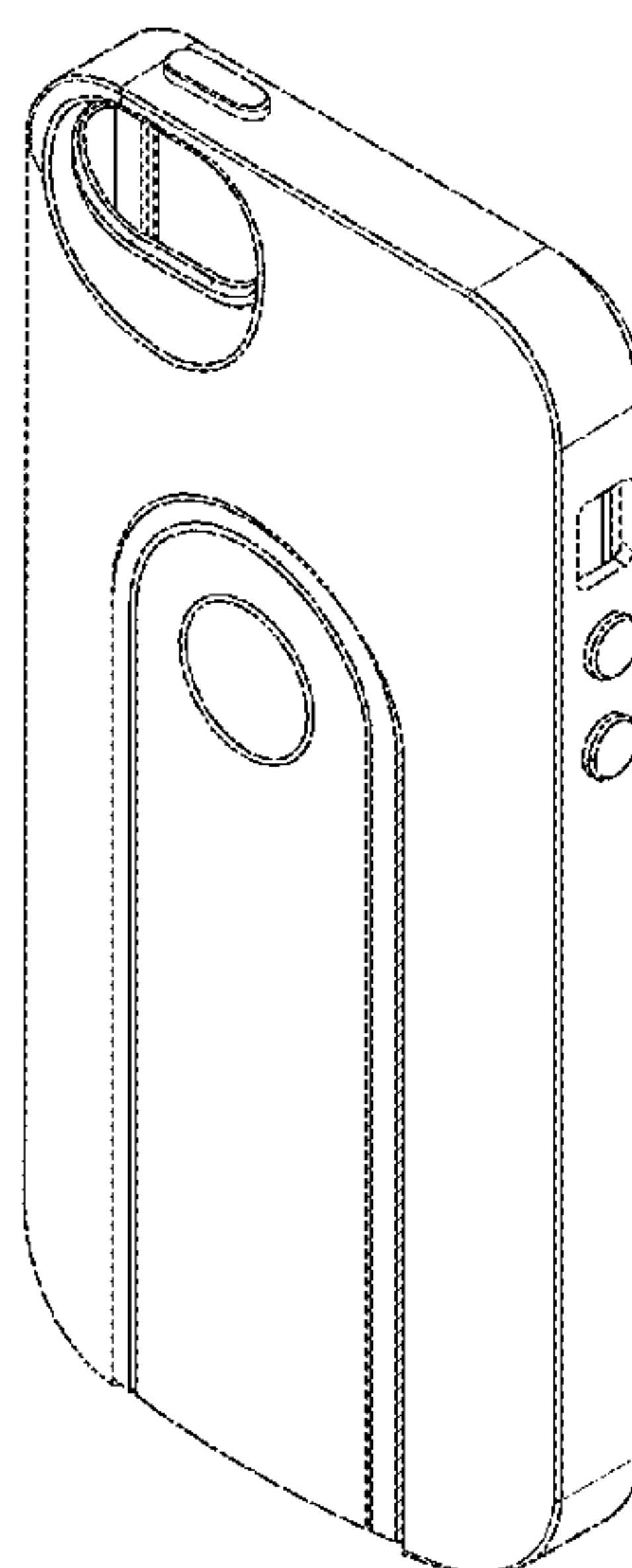
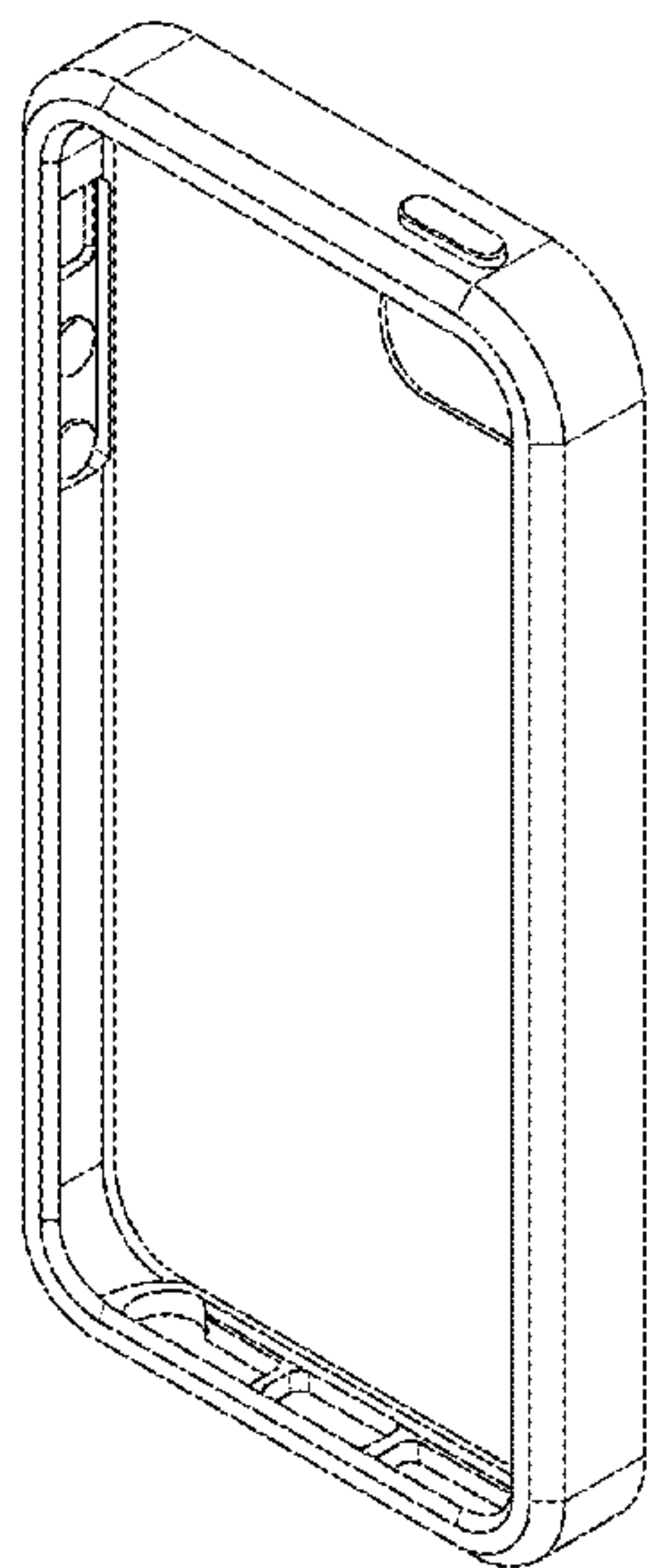
The broken lines indicate unclaimed portions and form no part of the claimed design.

(56) **References Cited**

U.S. PATENT DOCUMENTS

2,065,036 A * 12/1936 Townsend, Jr. 70/456 R
D292,288 S * 10/1987 Schwartz D14/218
D349,230 S * 8/1994 Essick D8/347
5,388,691 A * 2/1995 White 206/305
D407,006 S * 3/1999 Sacco et al. D8/347
7,098,781 B2 * 8/2006 Wu 340/479
7,290,419 B2 * 11/2007 Balko et al. 70/456 R
D557,111 S * 12/2007 Ydremark et al. D8/347
7,417,193 B2 * 8/2008 Schumacher et al. 174/135
7,441,651 B1 * 10/2008 Sullivan 206/38.1

1 Claim, 14 Drawing Sheets



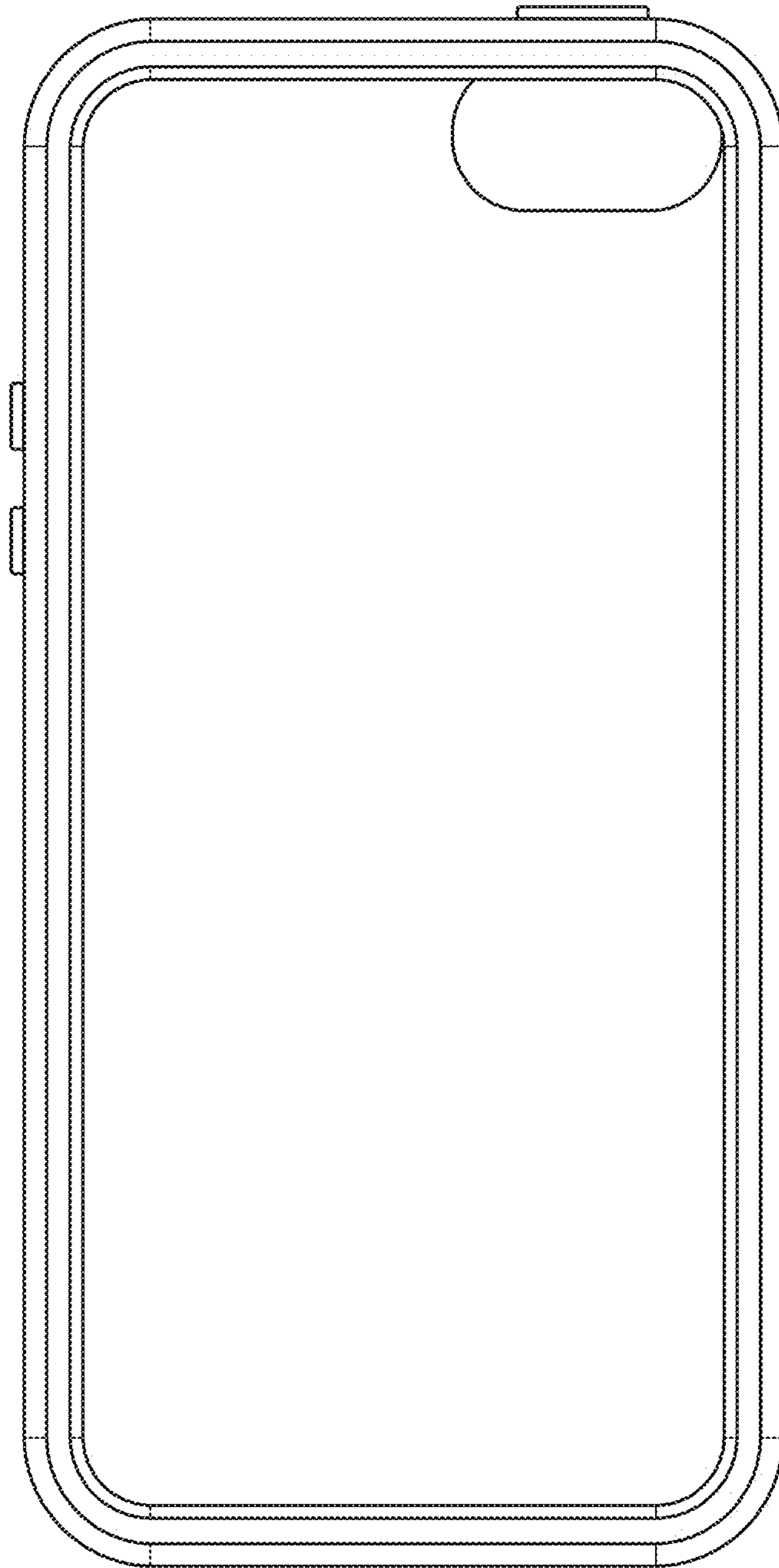


FIG. 1

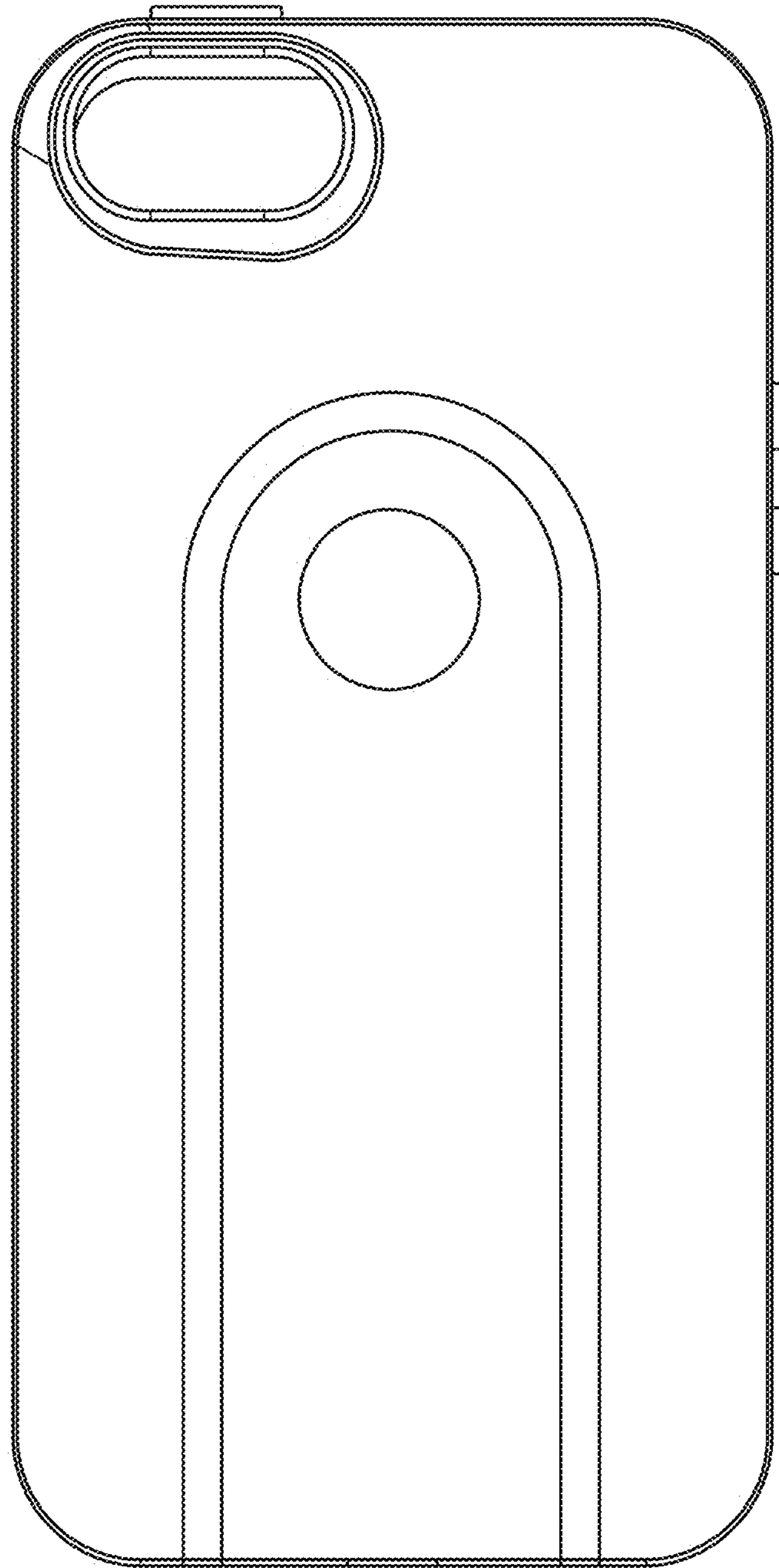


FIG. 2

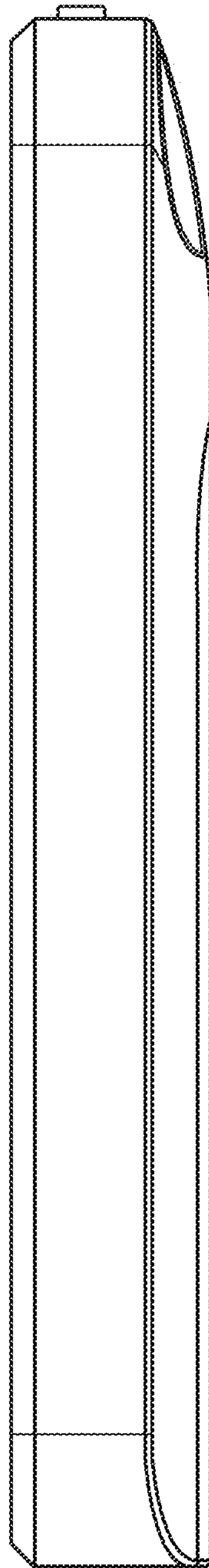


FIG. 3

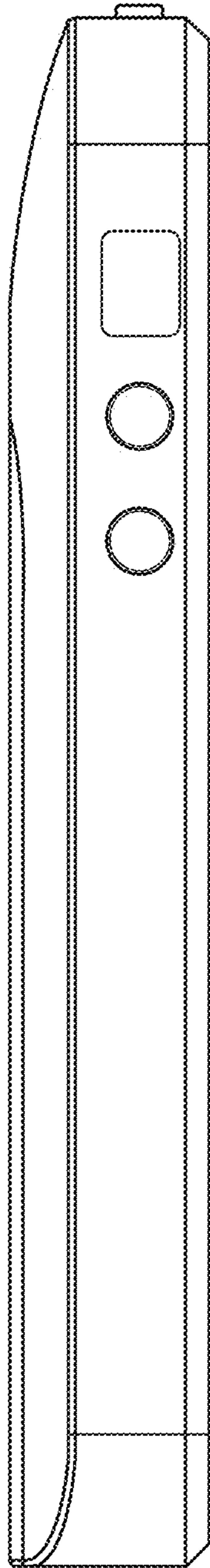


FIG. 4



FIG. 5

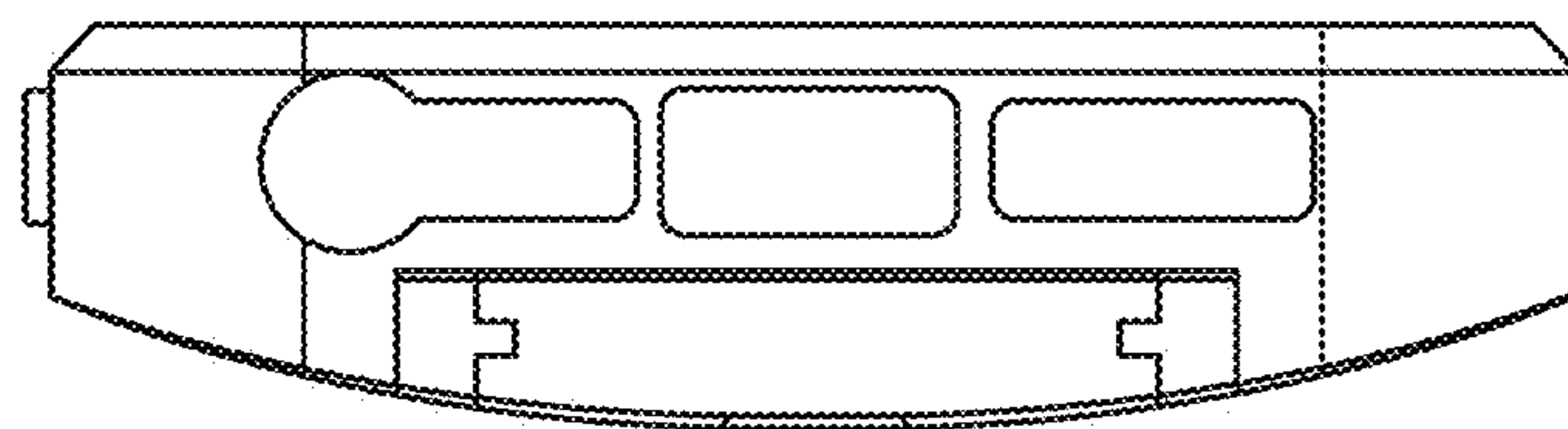


FIG. 6

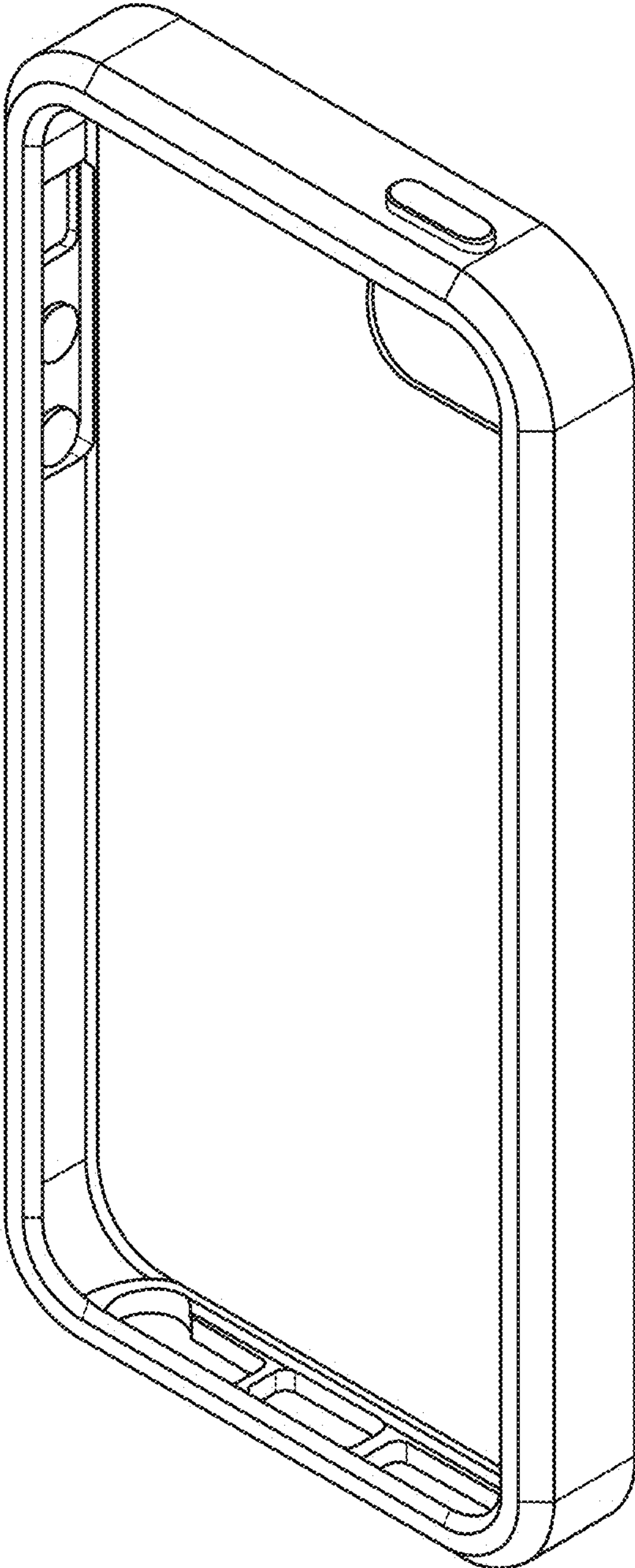


FIG. 7

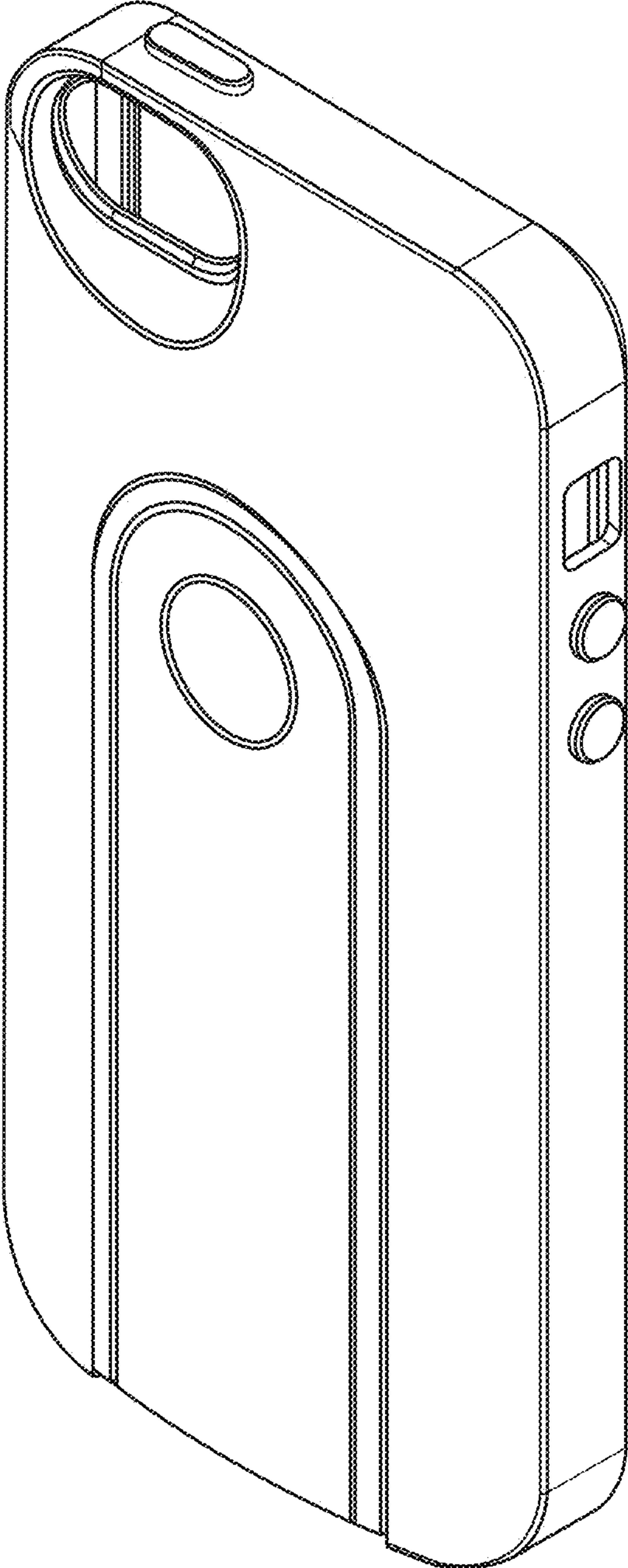


FIG. 8

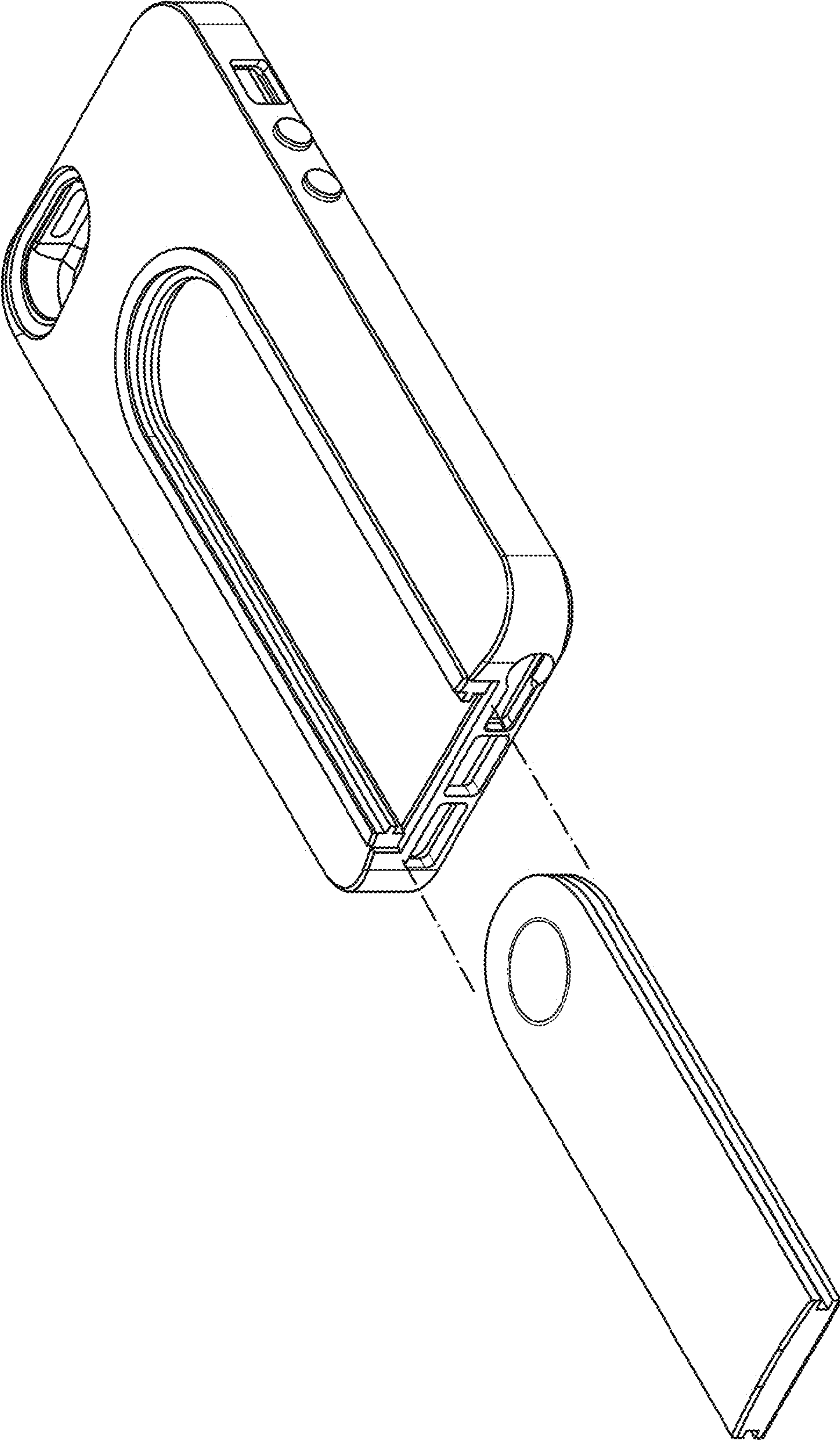


FIG. 9

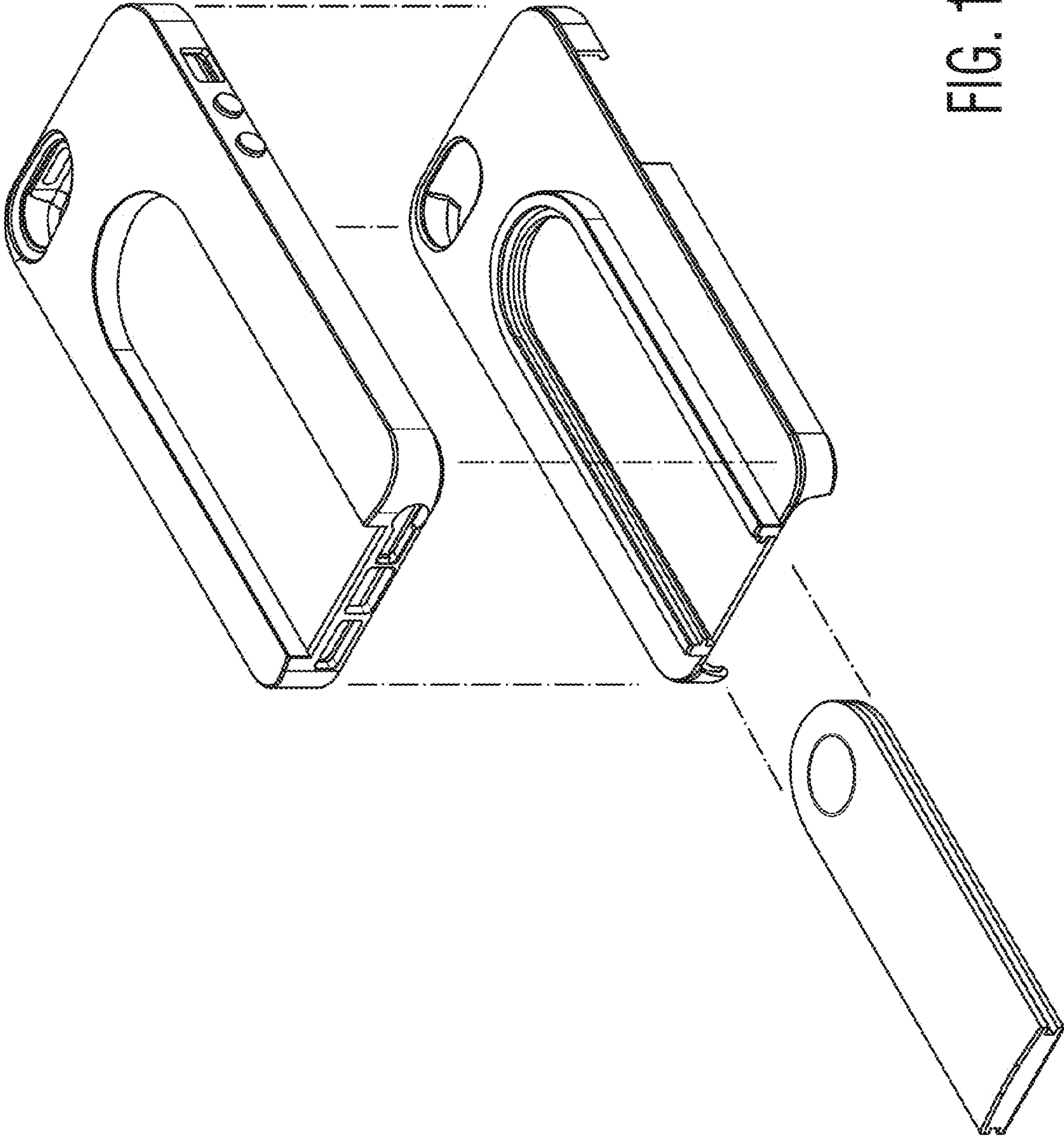


FIG. 10

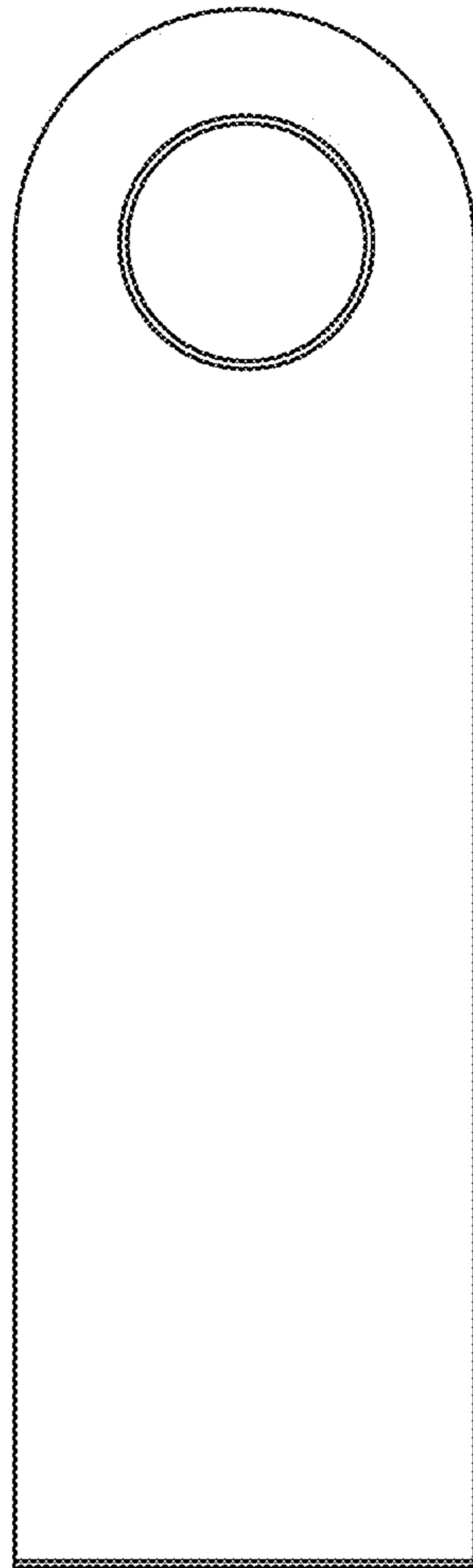


FIG. 11

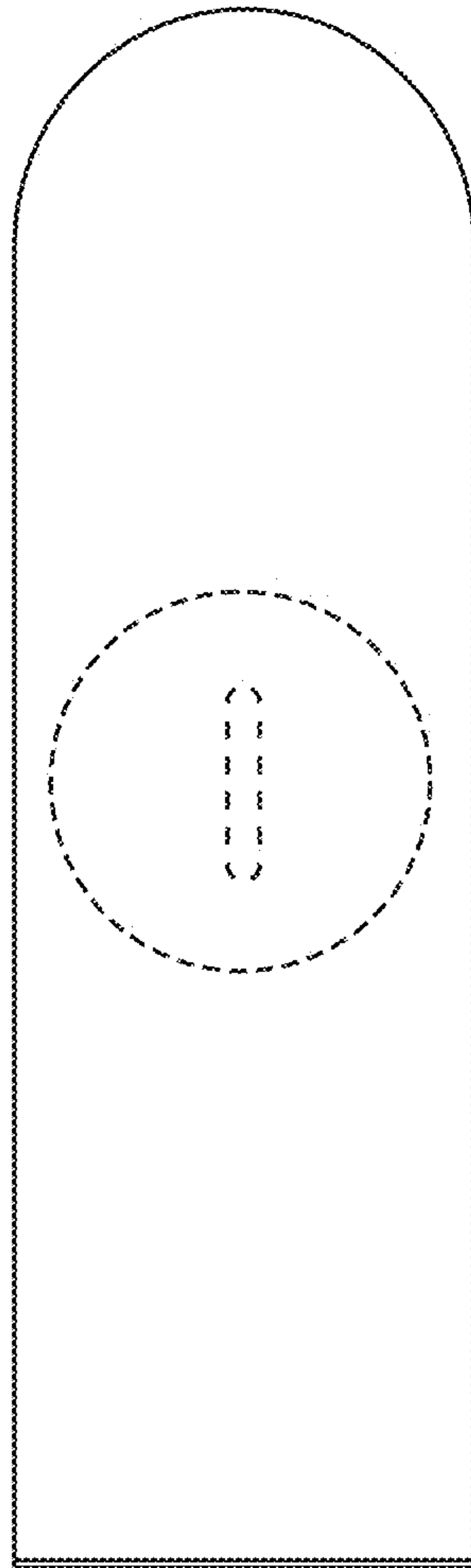


FIG. 12



FIG. 13

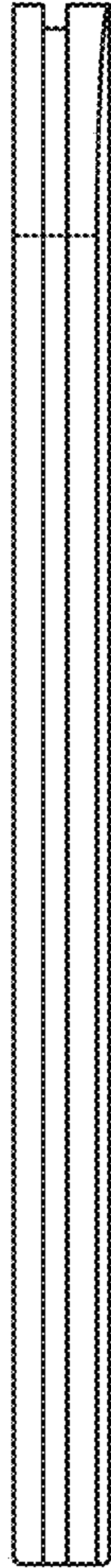


FIG. 14



FIG. 15



FIG. 16