



US00D771471S

(12) **United States Design Patent**
Ruoff

(10) **Patent No.:** **US D771,471 S**

(45) **Date of Patent:** **** Nov. 15, 2016**

- (54) **DOOR TERMINAL**
- (71) Applicant: **Sphinx Electronics GmbH & Co KG**,
Kenzingen (DE)
- (72) Inventor: **Eckhard Ruoff**, Nagold (DE)
- (73) Assignee: **Sphinx Electronics GmbH & Co KG**,
Kenzingen (DE)
- (**) Term: **15 Years**
- (21) Appl. No.: **29/530,358**
- (22) Filed: **Jun. 16, 2015**

- RE27,013 E * 12/1970 Hedin et al. G07C 9/00706
361/172
- D229,284 S * 11/1973 Suska et al. D10/106.1
- 3,848,959 A * 11/1974 Parlato G08B 13/08
439/731
- 4,971,481 A * 11/1990 Foreman B65G 51/20
406/112
- 5,520,275 A * 5/1996 Foglino G07C 9/00039
194/217
- 6,439,009 B1 * 8/2002 Heese E05B 65/108
340/5.2
- 6,484,784 B1 * 11/2002 Weik, III E05F 1/006
160/7
- 8,967,432 B2 * 3/2015 Bertolini B67D 7/82
222/146.2
- 2002/0021205 A1 * 2/2002 Schweitzer E05B 45/06
340/5.3

(30) **Foreign Application Priority Data**

Dec. 17, 2014 (EM) 002599548-0008

(51) **LOC (10) Cl.** **08-07**

(52) **U.S. Cl.**
USPC **D8/330; D8/343**

(58) **Field of Classification Search**
USPC D8/330, 331, 343, 344, 346, 349,
D8/300-302, 400; 70/14, 57, 57.1, 431,
70/465, 466, 422, 92, 277, 278.1, 278.2,
70/DIG. 49; 292/92, 93, DIG. 65; 194/217,
194/218; 49/1, 13, 141, 279, 501-503
CPC E06B 3/00; E06B 65/10; E05F 15/20;
B67D 7/82
See application file for complete search history.

(56) **References Cited**

U.S. PATENT DOCUMENTS

- D208,374 S * 8/1967 Gilbert D10/116.1
- D208,375 S * 8/1967 Gilbert D8/302
- D210,373 S * 3/1968 Gilbert D25/108
- 3,444,546 A * 5/1969 Hawkins E05B 45/086
200/61.67

* cited by examiner

Primary Examiner — Prabhakar Deshmukh
(74) *Attorney, Agent, or Firm* — Hackler Daghighian
Martino & Novak

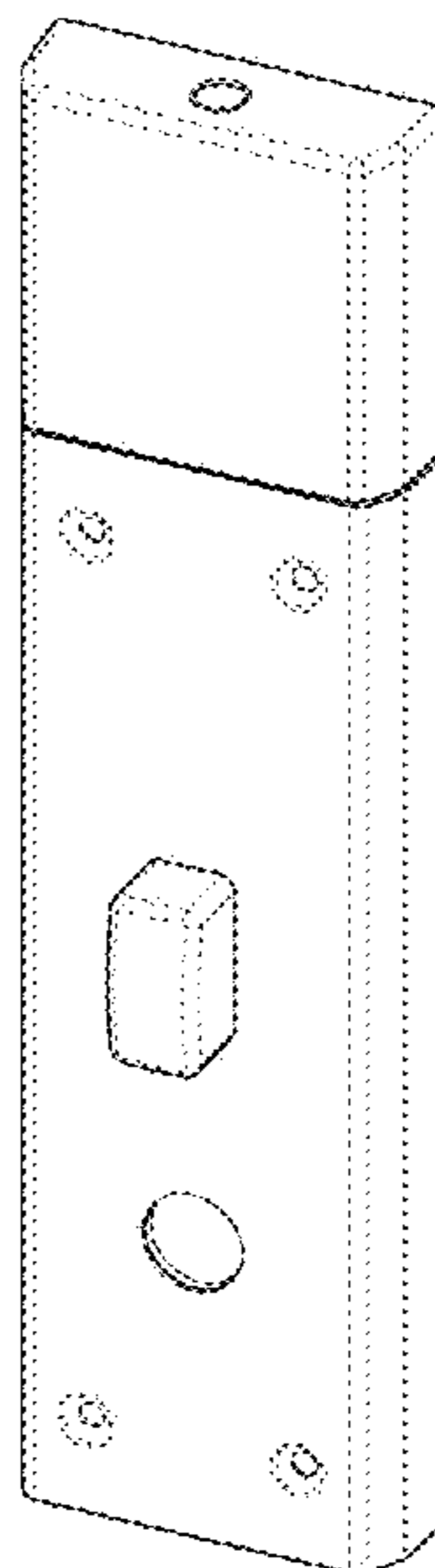
(57) **CLAIM**

The ornamental design for a door terminal, as shown and described.

DESCRIPTION

FIG. 1 is a front elevation view of a door terminal embodying my new design;
FIG. 2 is a rear elevation view of FIG. 1;
FIG. 3 is a left side view of FIG. 1;
FIG. 4 is a right side view of FIG. 1;
FIG. 5 is a top plan view of FIG. 1;
FIG. 6 is a bottom plan view of FIG. 1; and,
FIG. 7 is a front perspective view of the FIG. 1.
The broken lines indicate unclaimed portions and form no part of the claimed design.

1 Claim, 4 Drawing Sheets



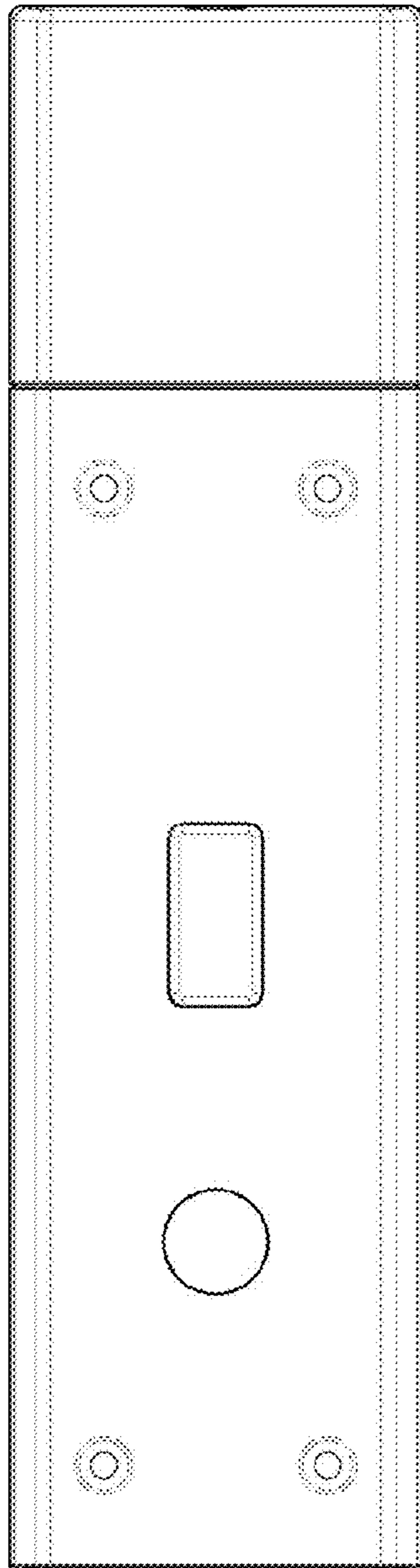


FIG. 1

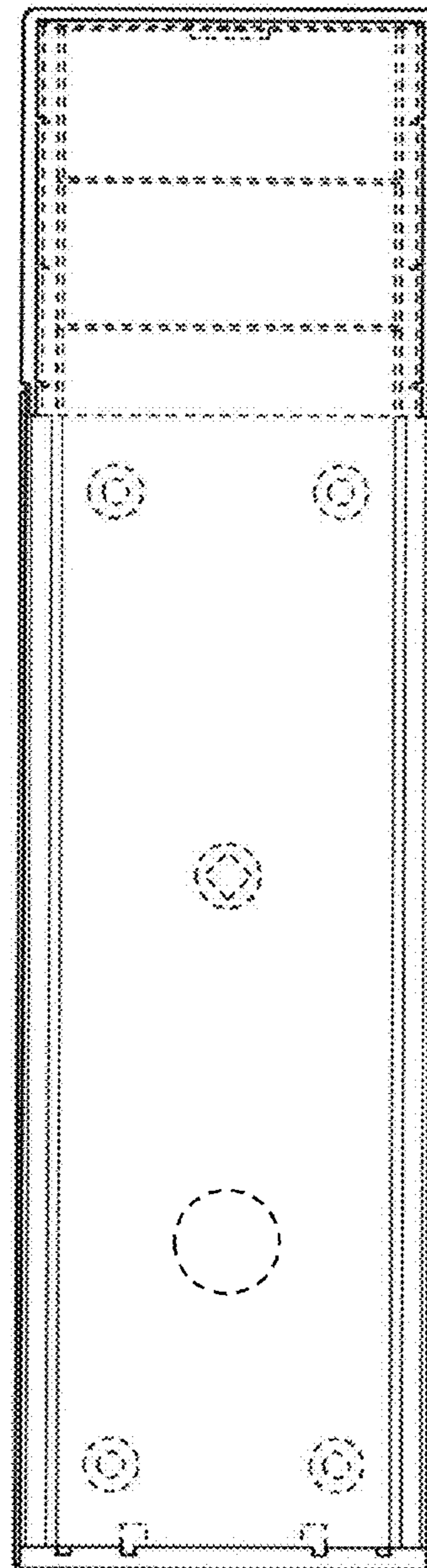


FIG. 2

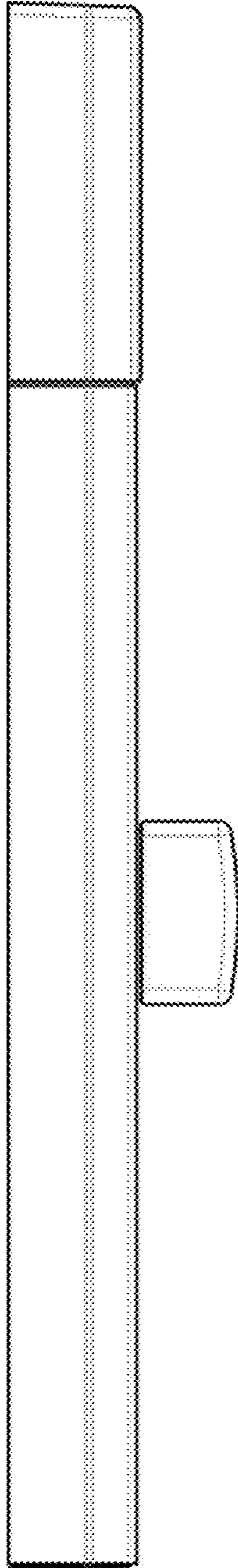


FIG. 3

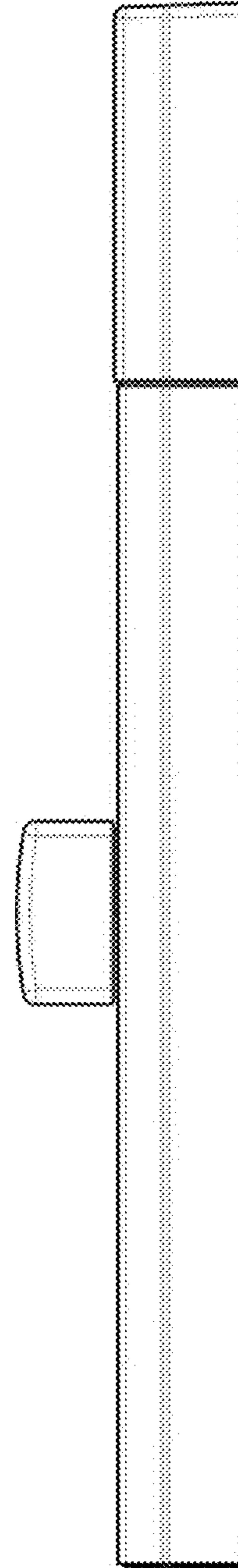


FIG. 4

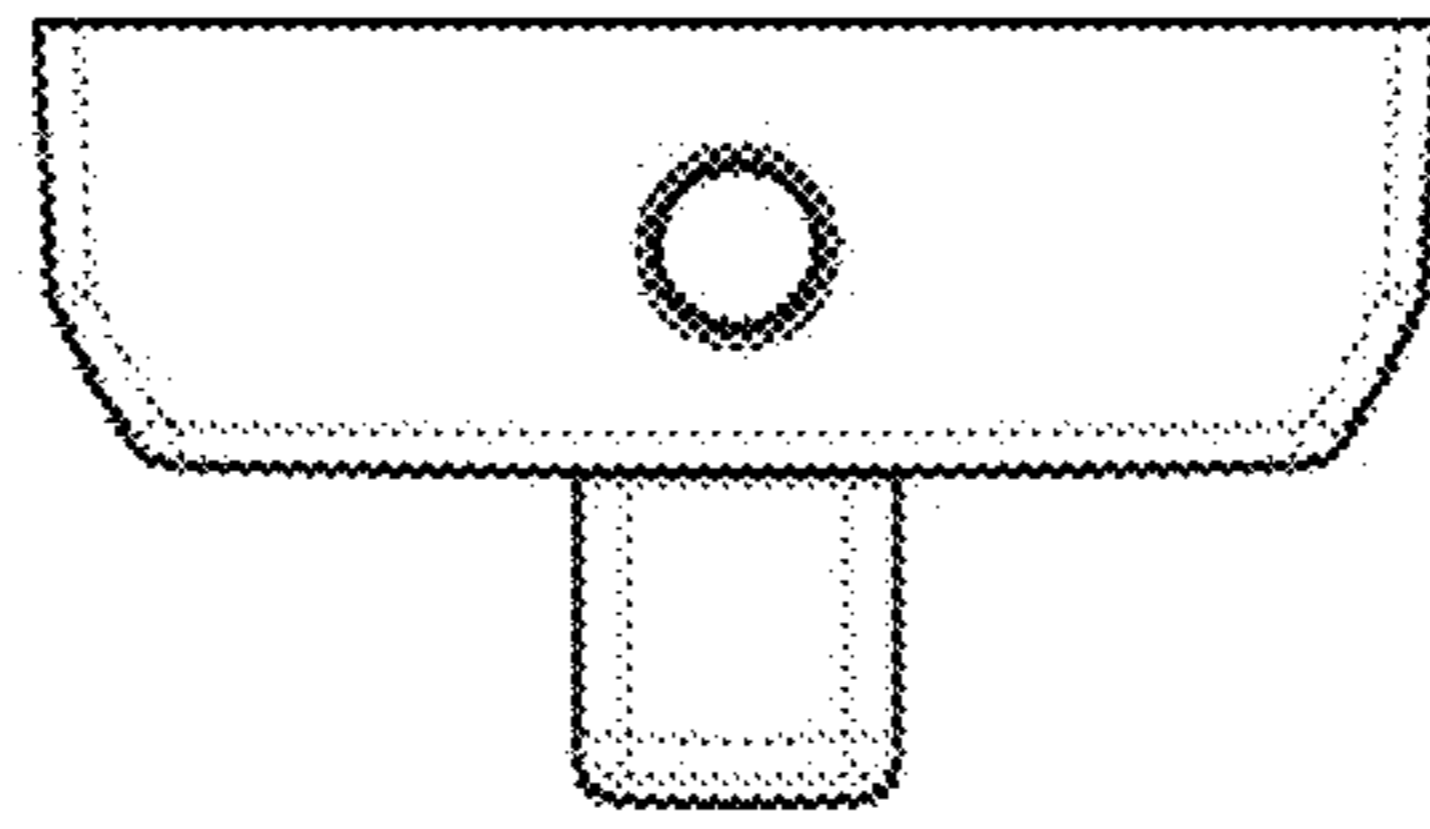


FIG. 5

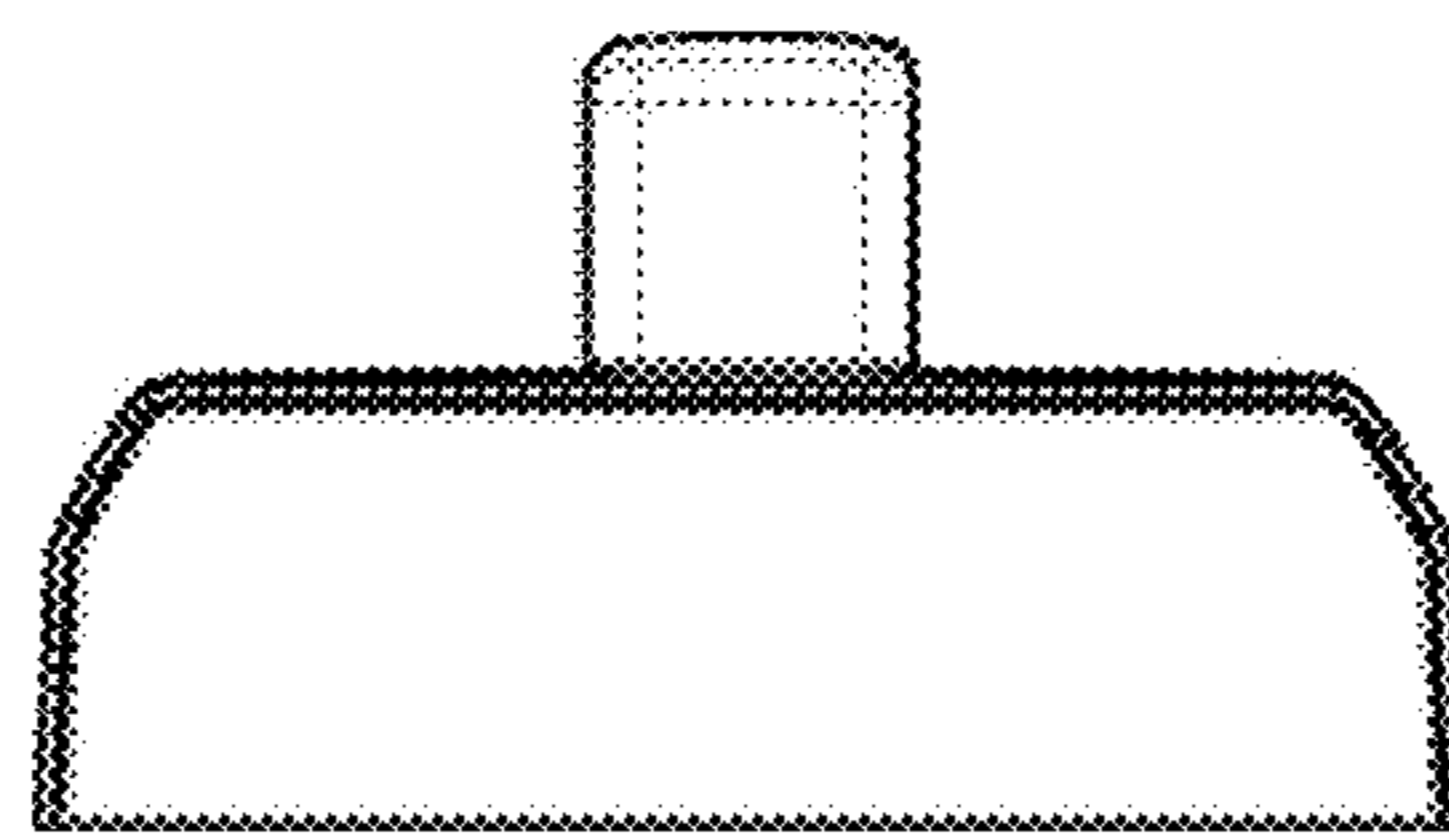


FIG. 6

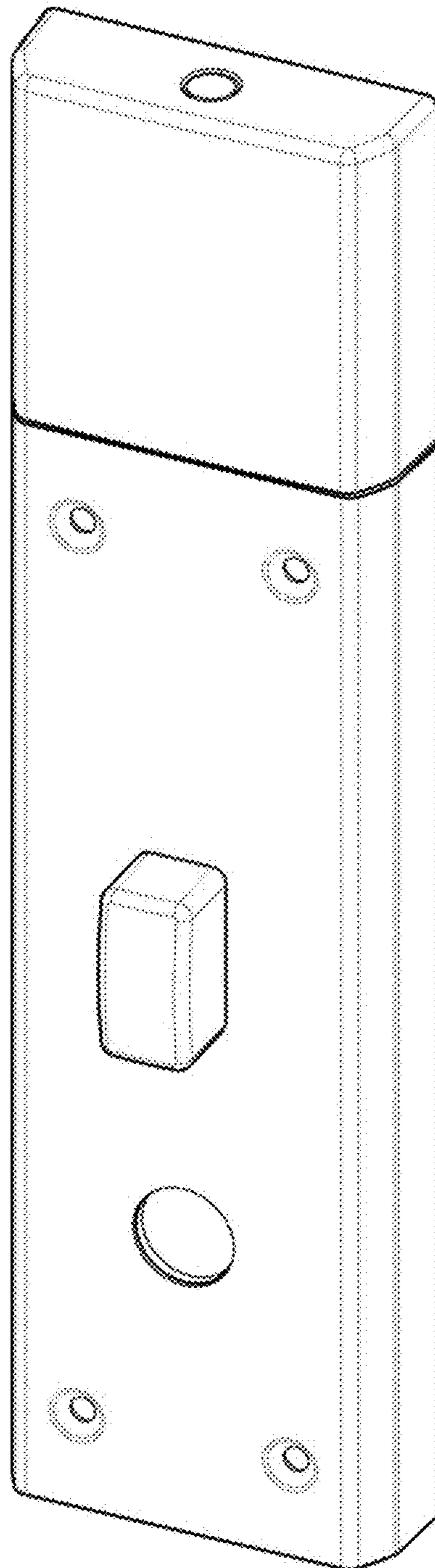


FIG. 7