



US00D771470S

(12) **United States Design Patent** (10) **Patent No.:** **US D771,470 S**  
**Zimmer** (45) **Date of Patent:** **\*\* Nov. 15, 2016**

(54) **CABINET KNOB**  
(71) Applicant: **Top Knobs USA, Inc.**, Hillsborough, NJ (US)  
(72) Inventor: **Christine Zimmer**, Hillsborough, NJ (US)  
(73) Assignee: **TOP KNOBS USA, INC.**, Hillsborough, NJ (US)  
(\*\*) Term: **14 Years**  
(21) Appl. No.: **29/514,377**  
(22) Filed: **Jan. 12, 2015**  
(51) **LOC (10) Cl.** ..... **08-06**  
(52) **U.S. Cl.**  
USPC ..... **D8/310**  
(58) **Field of Classification Search**  
USPC ..... D8/300, 305, 307, 393, DIG. 1, DIG. 2;  
D7/393; D23/250, 254; 16/110.1, 413,  
16/414, 415, 417, 422, 441, DIG. 30;  
292/336.3, 347  
CPC . Y10T 292/57; Y10T 292/82; Y10T 16/469;  
Y10T 16/506; Y10T 292/85; Y10T 16/458;  
Y10T 74/2084; Y10T 16/46; Y10T 16/459;  
Y10T 74/20732; Y10T 292/03; Y10T  
16/4713; Y10T 16/466; Y10T 292/88;  
Y10T 29/49599; Y10T 16/487; Y10T 16/462;  
Y10T 16/4636; Y10T 74/20864; Y10T  
70/5155; Y10T 16/4559; Y10T 292/0951;  
Y10T 292/0891; Y10T 292/0934; Y10T  
292/0968; E05B 1/0007; E05B 1/0015;  
E05B 79/06; E05B 85/10; E05B 1/0053;  
E05B 55/005; E05B 1/00; E05B 85/107;  
E05B 3/00

See application file for complete search history.

(56) **References Cited**  
U.S. PATENT DOCUMENTS  
D47,069 S \* 3/1915 Burns ..... D8/307  
D72,772 S \* 5/1927 Kipper ..... D8/307  
D368,638 S \* 4/1996 Sonnenleiter ..... D8/310  
D526,883 S \* 8/2006 Gilbert ..... D8/307  
D680,406 S \* 4/2013 Ramsland ..... D8/305  
D717,151 S \* 11/2014 Ramsland ..... D8/307  
D718,603 S \* 12/2014 Ramsland ..... D8/307  
D720,198 S \* 12/2014 Sabbag ..... D8/307  
D755,617 S \* 5/2016 Matus, Jr. .... D8/382

\* cited by examiner

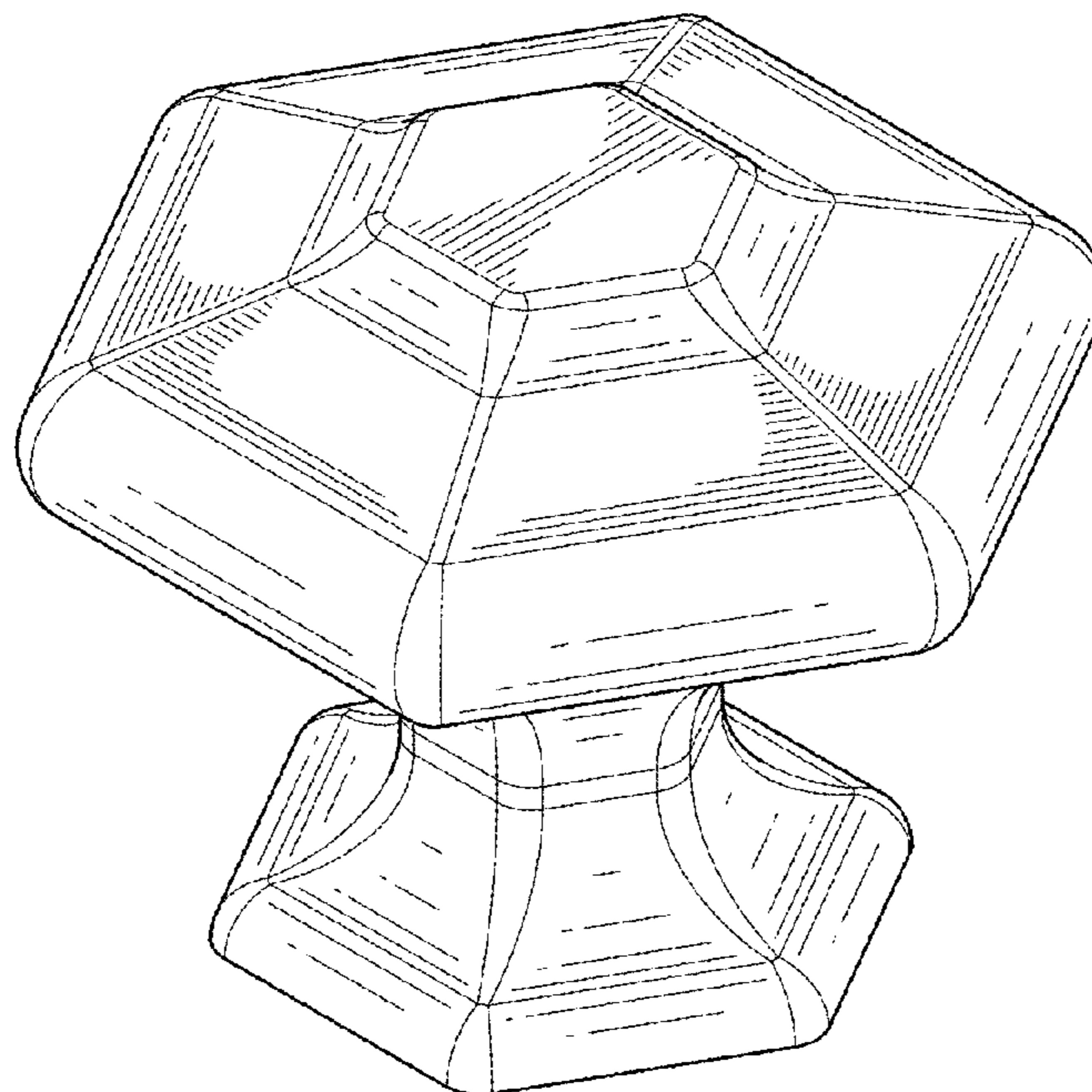
*Primary Examiner* — Derrick Holland  
*Assistant Examiner* — Lauren Calve  
(74) *Attorney, Agent, or Firm* — Schultz & Associates, P.C.

(57) **CLAIM**  
The ornamental design for a cabinet knob, as shown and described.

**DESCRIPTION**

FIG. 1 is a perspective view of a cabinet knob showing my new design;  
FIG. 2 is a side elevation view thereof;  
FIG. 3 is a second side elevation view thereof;  
FIG. 4 is a top plan view thereof; and,  
FIG. 5 is a bottom plan view thereof.  
The broken lines shown represent unclaimed subject matter and form no part of the claimed design.

**1 Claim, 3 Drawing Sheets**



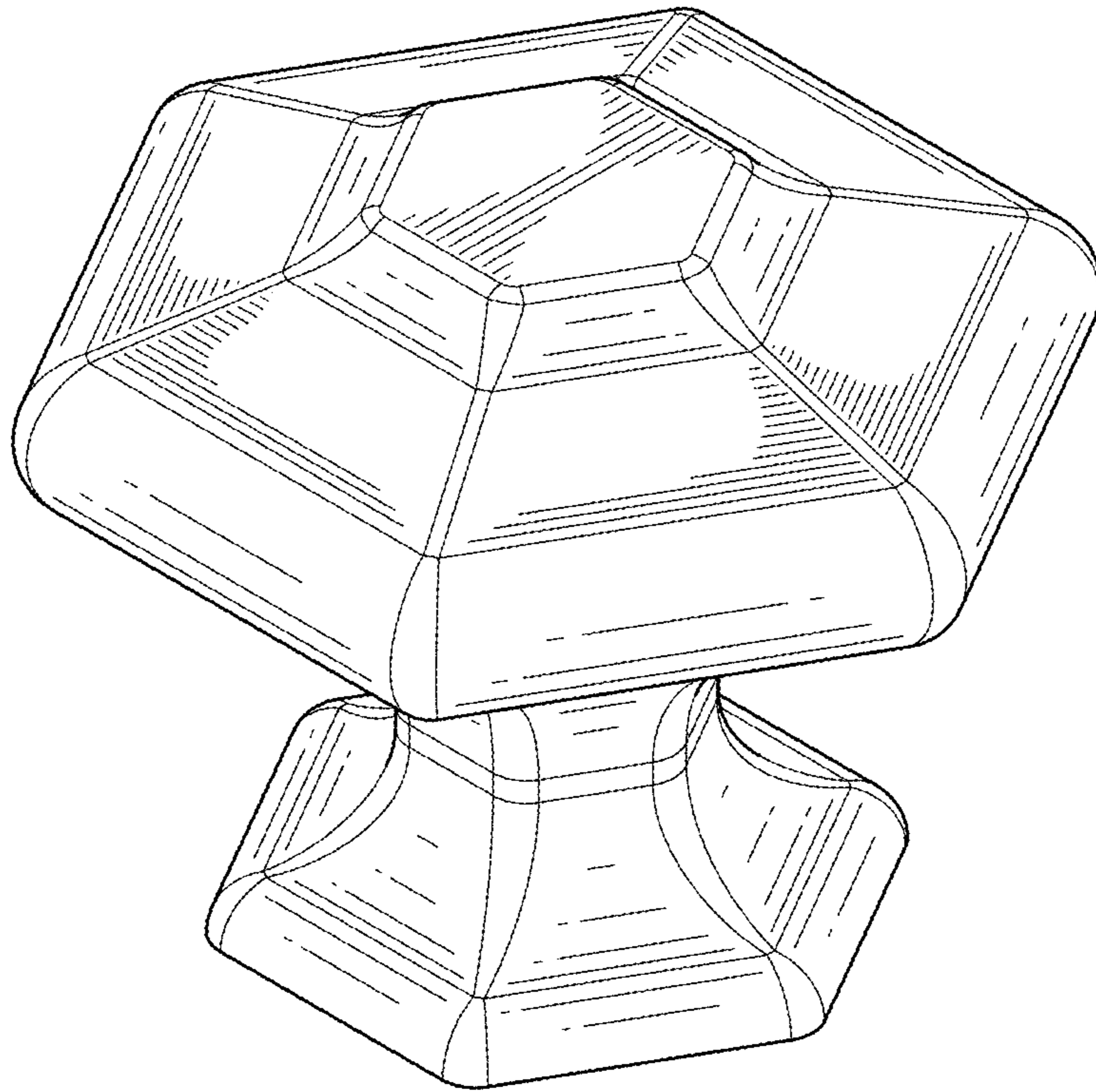


FIG. 1

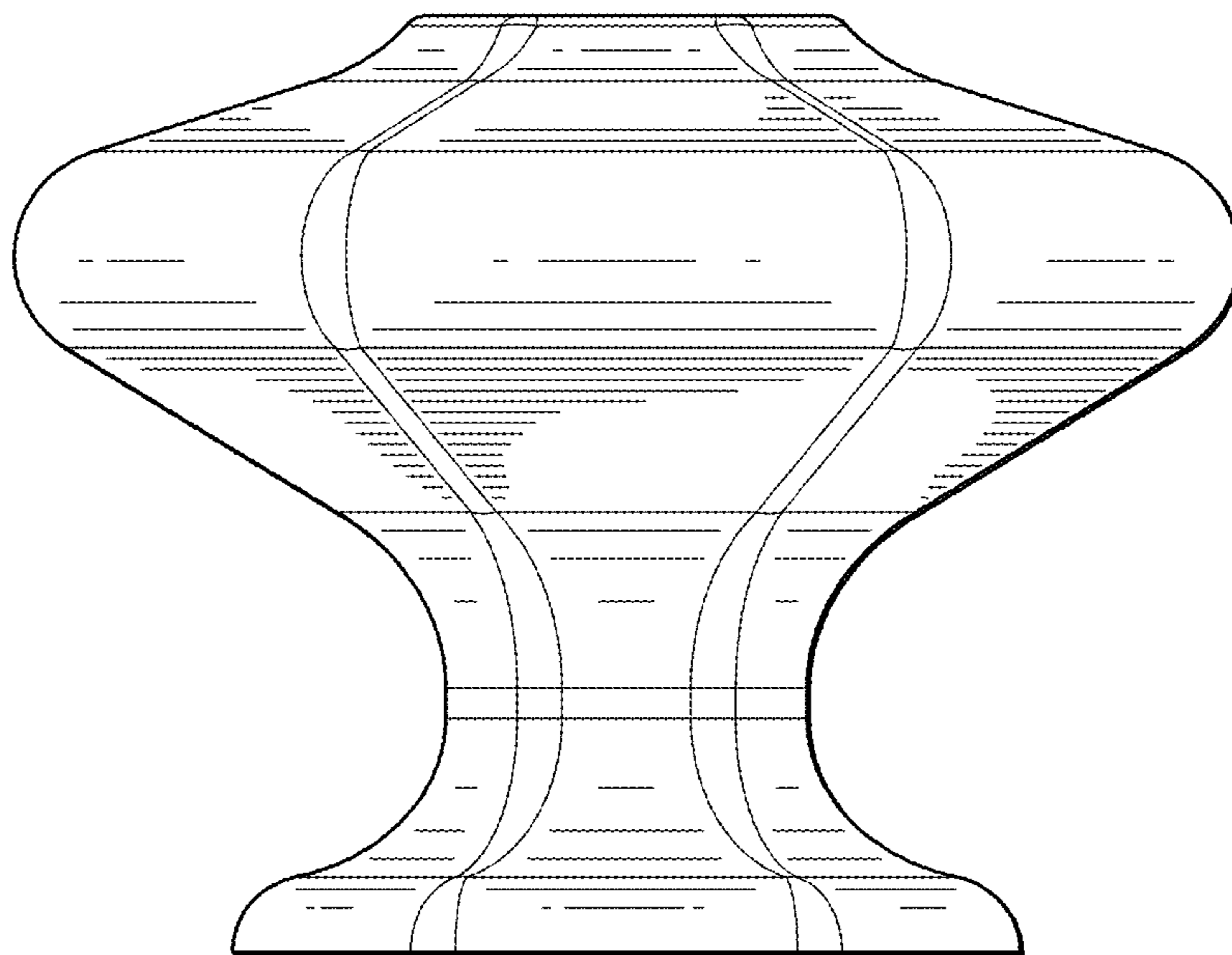


FIG. 2

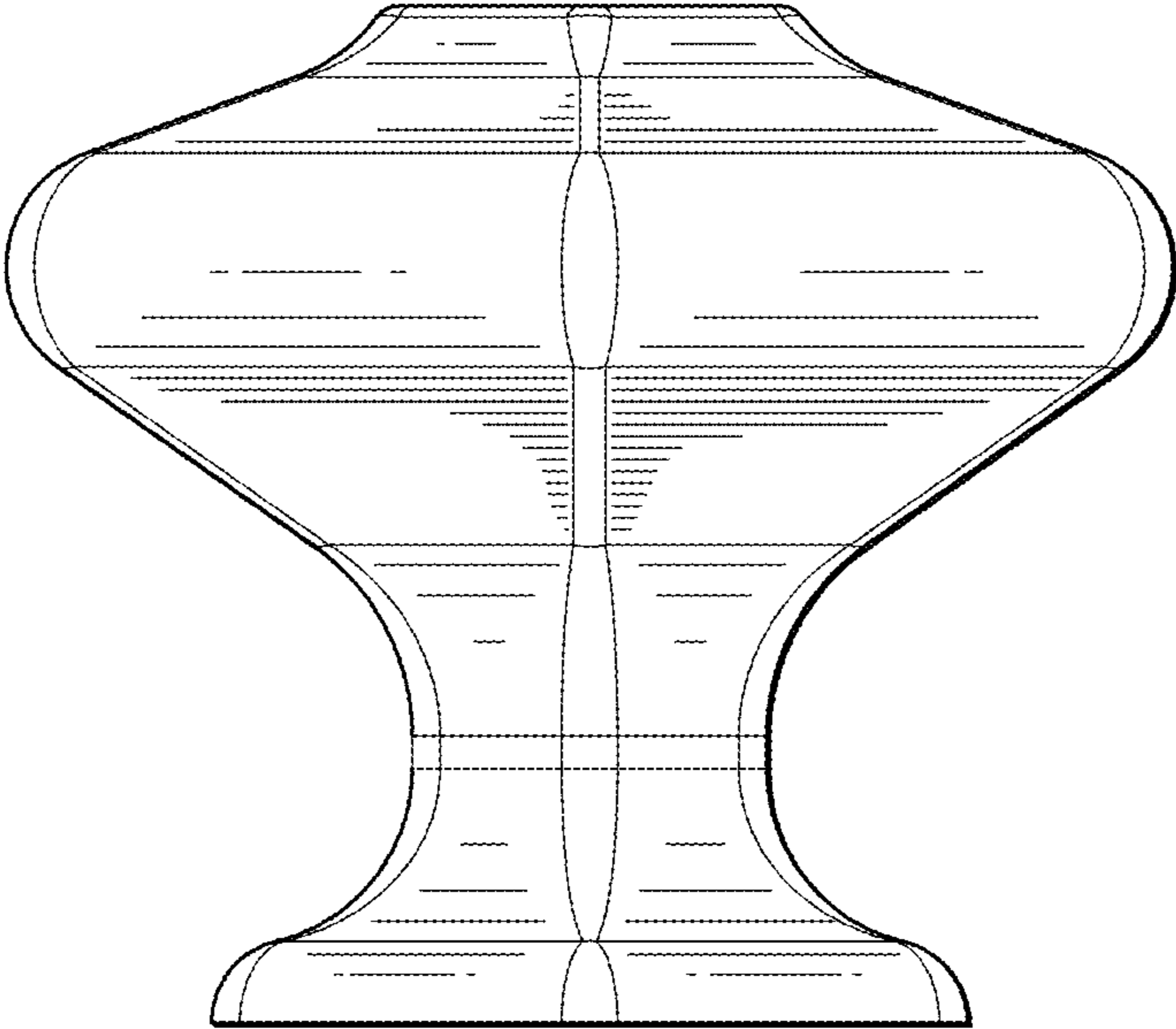


FIG. 3

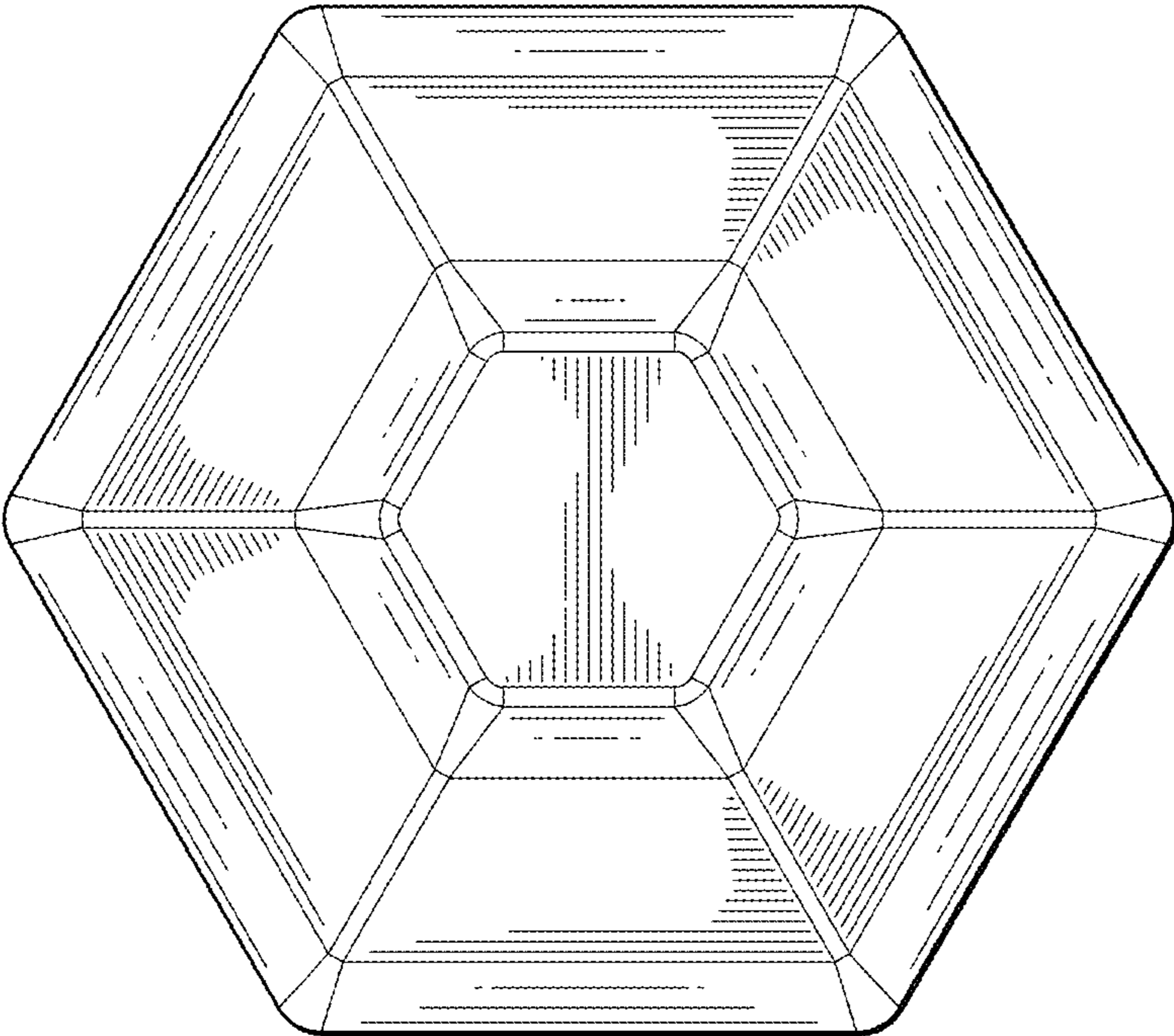


FIG. 4

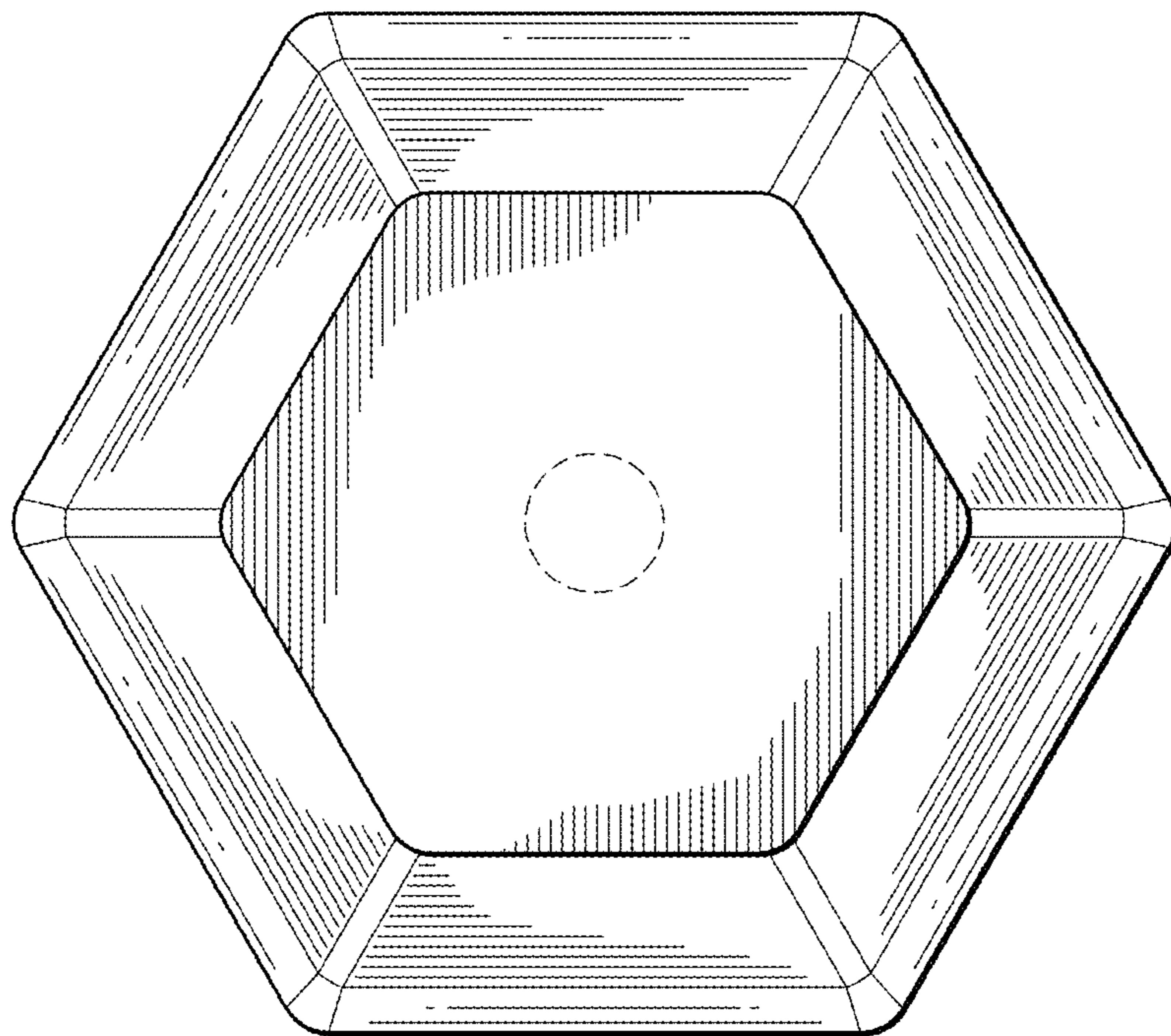


FIG. 5