



US00D771469S

(12) **United States Design Patent** (10) **Patent No.:** **US D771,469 S**
Zimmer (45) **Date of Patent:** **** Nov. 15, 2016**

(54) **CABINET KNOB**
(71) Applicant: **Top Knobs USA, Inc.**, Hillsborough, NJ (US)
(72) Inventor: **Christine Zimmer**, Hillsborough, NJ (US)
(73) Assignee: **TOP KNOBS USA, INC.**, Hillsborough, NJ (US)
(**) Term: **15 Years**
(21) Appl. No.: **29/546,906**
(22) Filed: **Nov. 27, 2015**
(51) **LOC (10) Cl.** **08-06**
(52) **U.S. Cl.**
USPC **D8/307**
(58) **Field of Classification Search**
USPC D8/300, 305, 307, 393, DIG. 1, DIG. 2; D7/393; D23/250, 254; 16/110.1, 413, 16/414, 415, 417, 422, 441, DIG. 30; 292/336.3, 347
CPC . Y10T 292/57; Y10T 292/82; Y10T 16/469; Y10T 16/44; Y10T 16/506; Y10T 292/85; Y10T 16/458; Y10T 74/2084; Y10T 16/46; Y10T 16/459; Y10T 74/20732; Y10T 292/03; Y10T 16/4713; Y10T 16/466; Y10T 292/88; Y10T 29/49599; Y10T 16/487; Y10T 16/462; Y10T 16/4636; Y10T 74/20864; Y10T 70/5155; Y10T 16/4559; Y10T 292/0951; Y10T 292/0891; Y10T 292/0934; Y10T 292/0968; E05B 1/0007; E05B 1/0015; E05B 79/06; E05B 85/10; E05B 1/0053; E05B 55/005; E05B 1/00; E05B 85/107; E05B 3/00

See application file for complete search history.

(56) **References Cited**
U.S. PATENT DOCUMENTS
956,485 A * 4/1910 Conklin B29C 66/534
264/249
D47,069 S * 3/1915 Burns D8/307
D72,772 S * 5/1927 Kipper D8/307
1,639,159 A * 8/1927 Anderson E05B 1/0015
16/441
D143,737 S * 2/1946 Klein D23/229
D526,883 S * 8/2006 Gilbert D8/307
D718,603 S * 12/2014 Ramsland D8/307

* cited by examiner

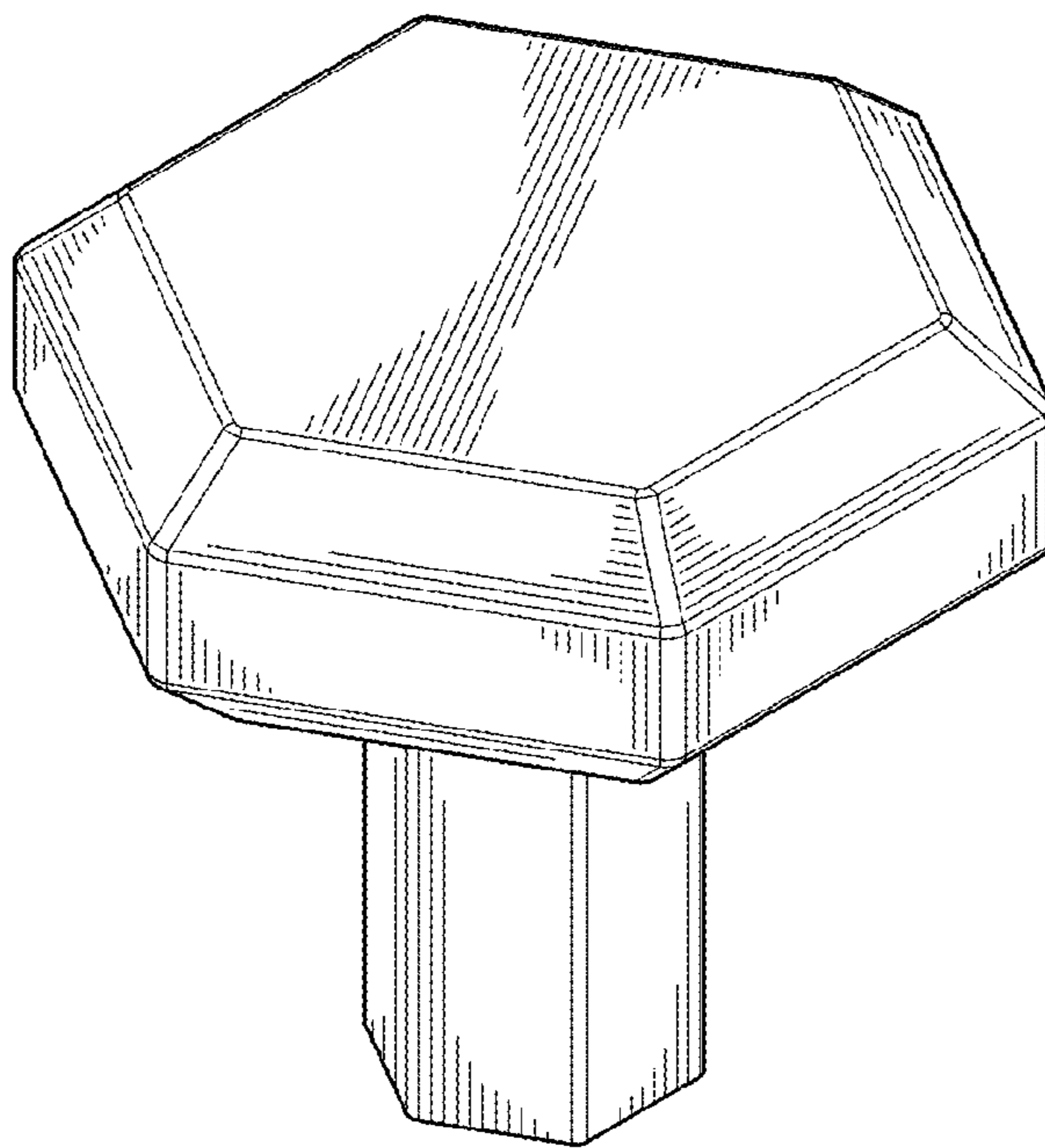
Primary Examiner — Derrick Holland
Assistant Examiner — Lauren Calve
(74) *Attorney, Agent, or Firm* — Schultz & Associates, P.C.

(57) **CLAIM**
The ornamental design for a cabinet knob, as shown and described.

DESCRIPTION

FIG. 1 is a perspective view of a cabinet knob showing my new design;
FIG. 2 is a side elevation view thereof;
FIG. 3 is a second side elevation view thereof;
FIG. 4 is a top plan view thereof; and,
FIG. 5 is a bottom plan view thereof.
The broken lines shown represent unclaimed subject matter and form no part of the claimed design.

1 Claim, 2 Drawing Sheets



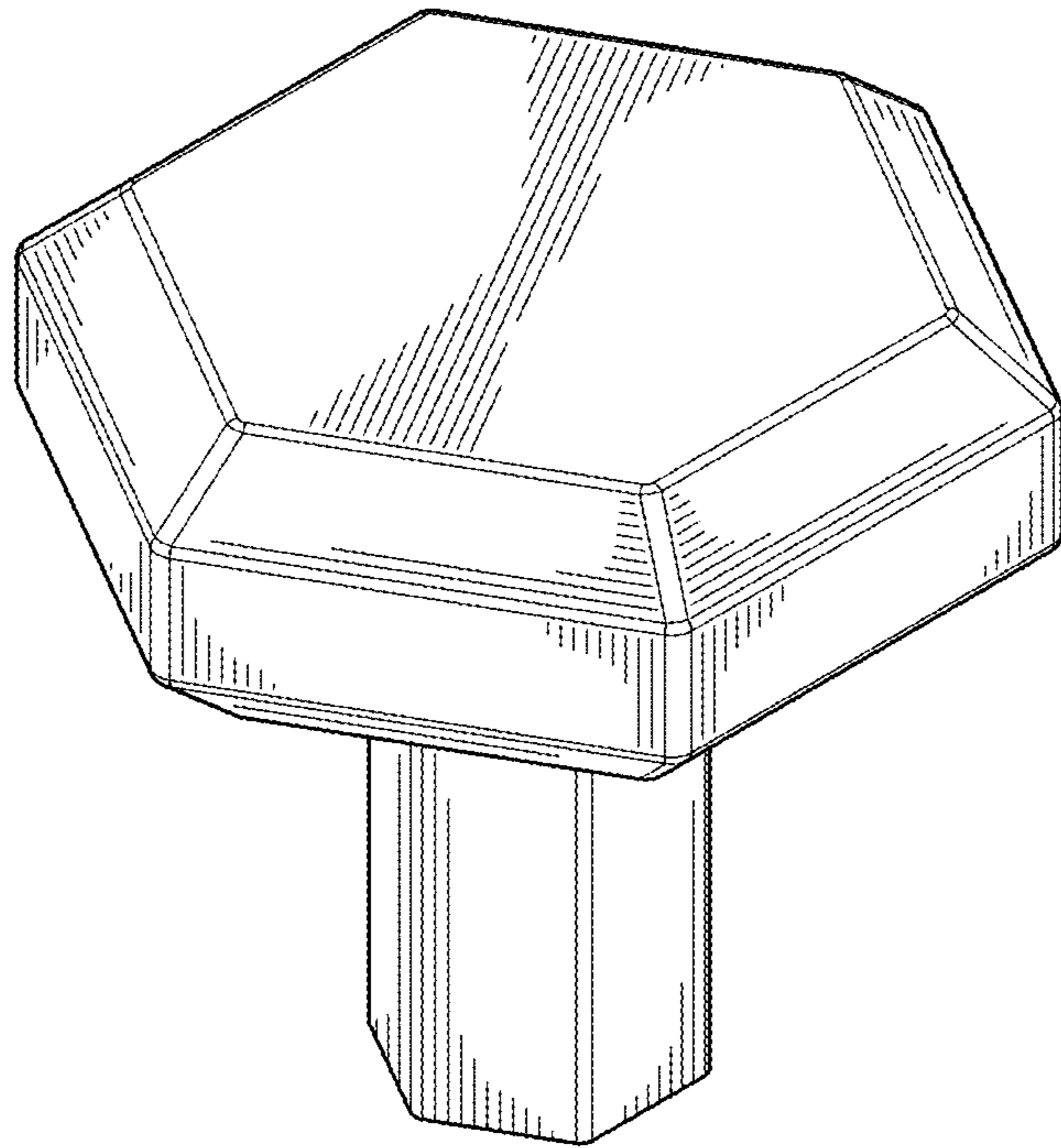


FIG. 1

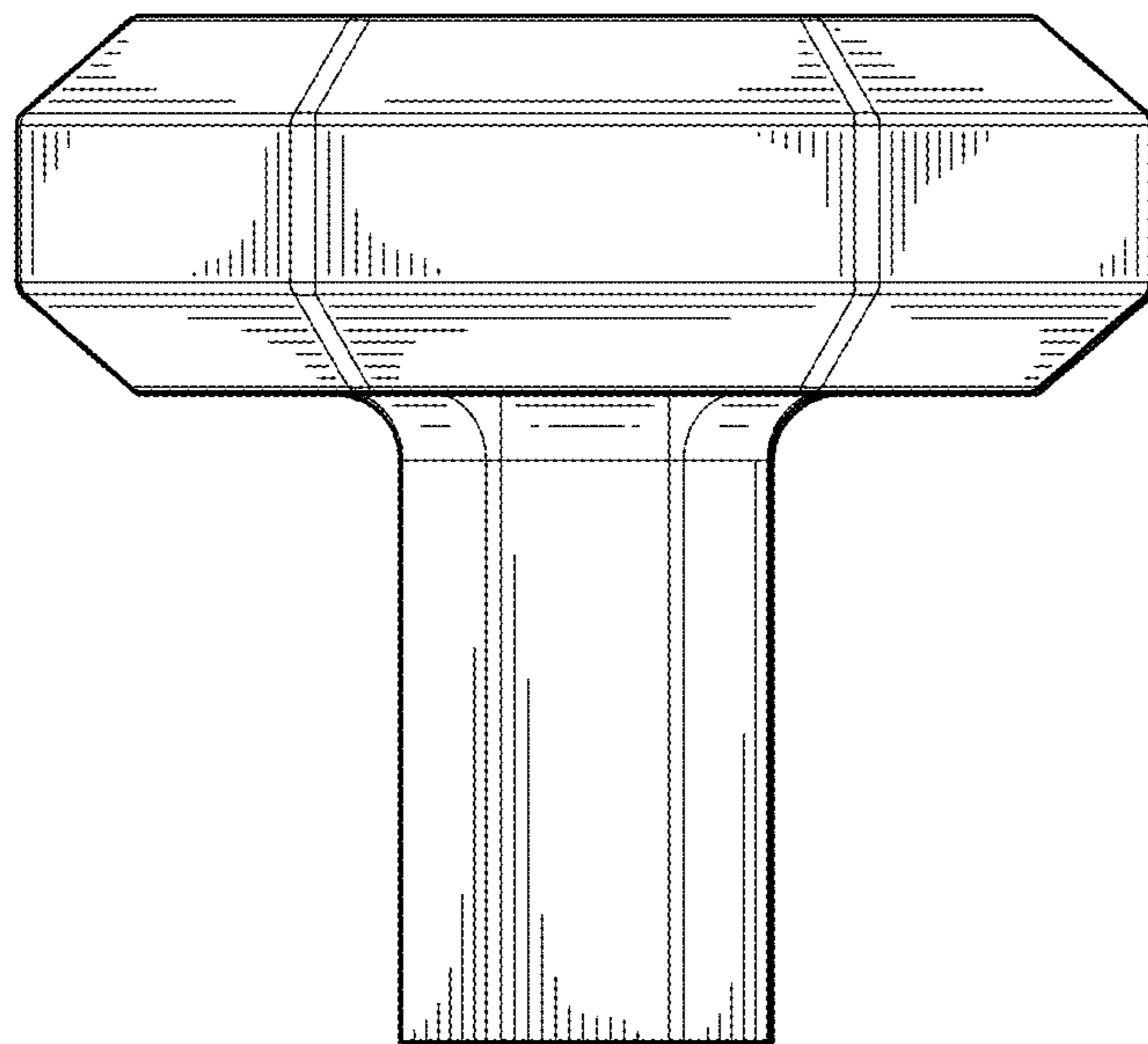


FIG. 2

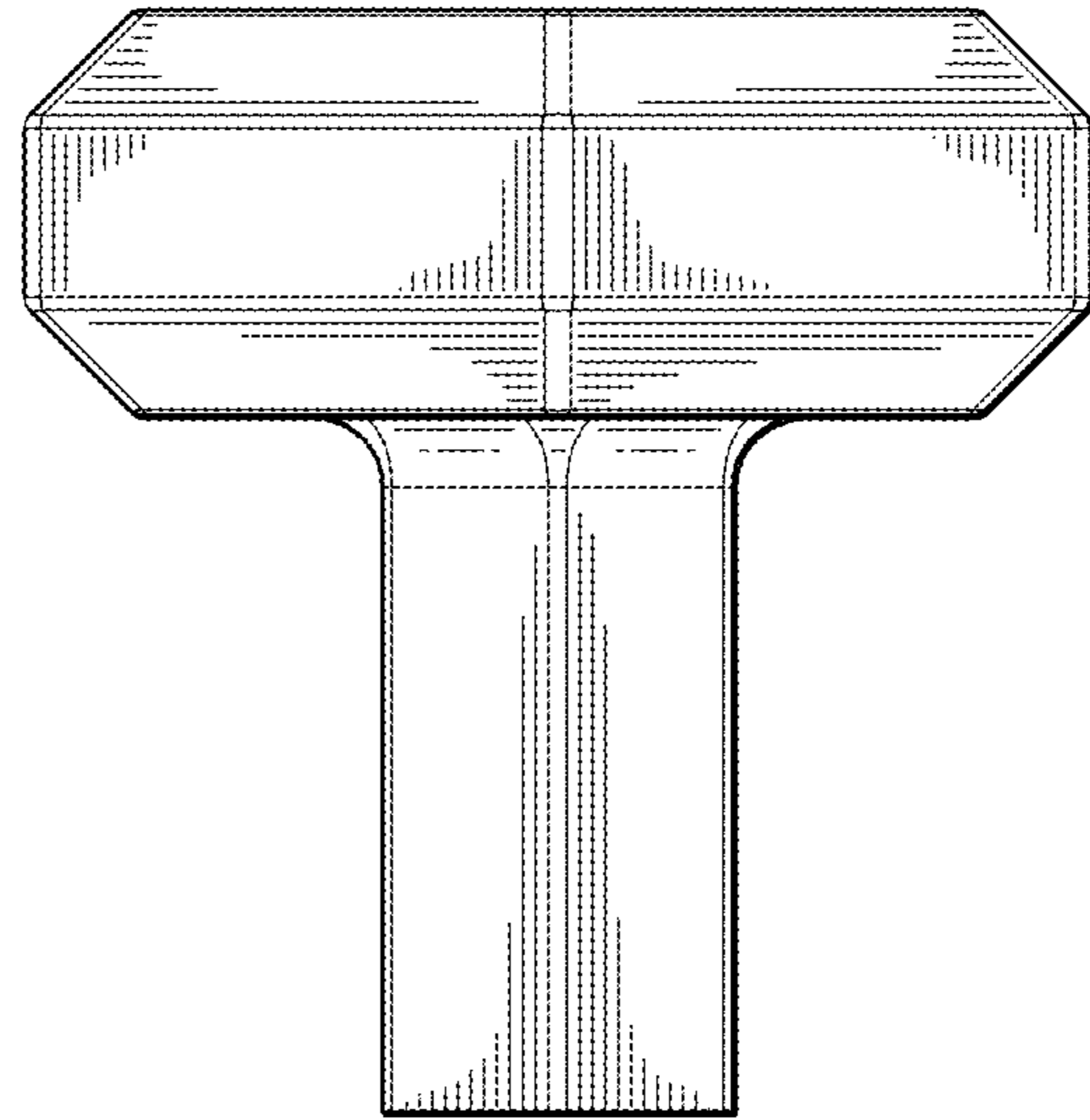


FIG. 3

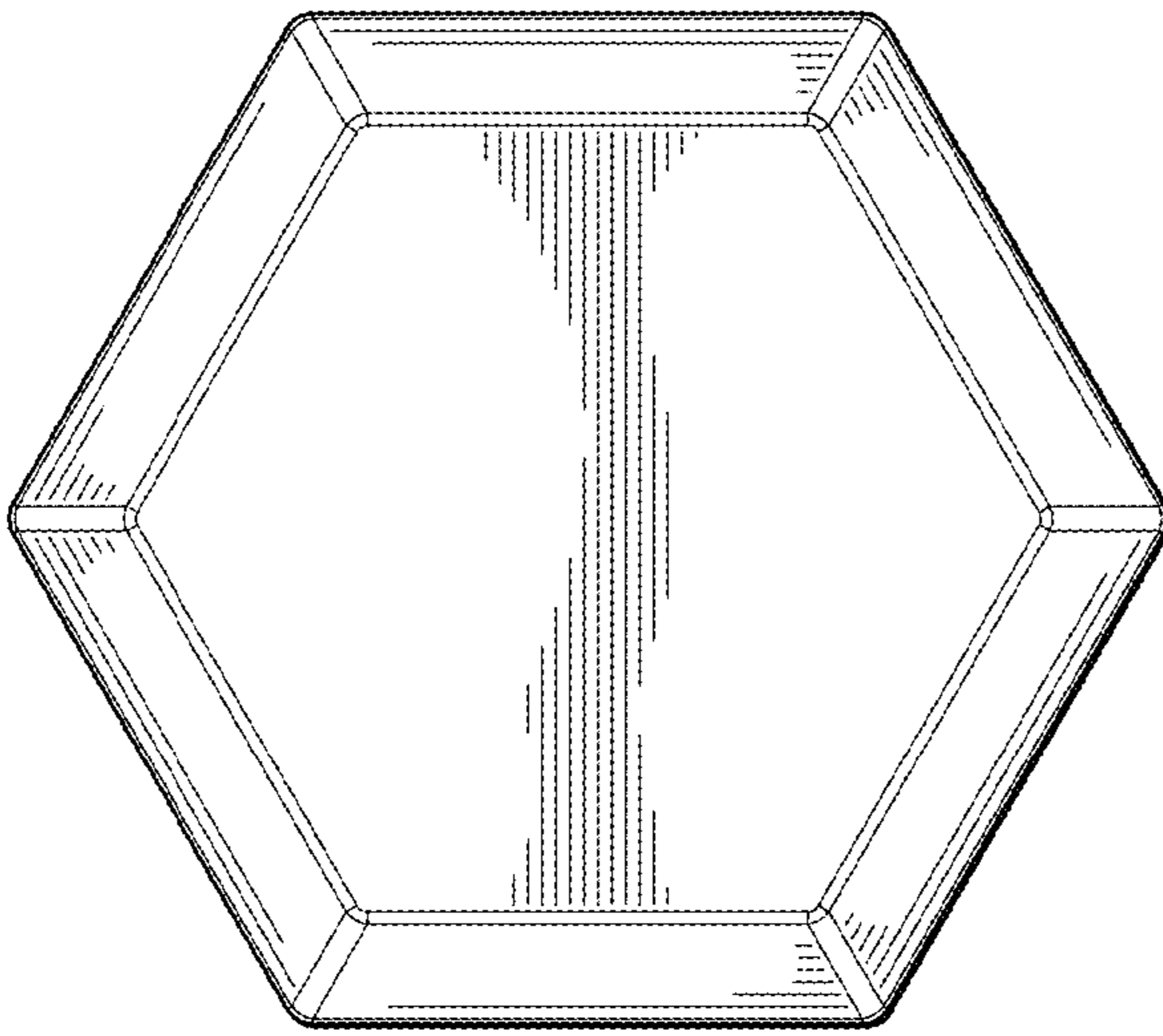


FIG. 4

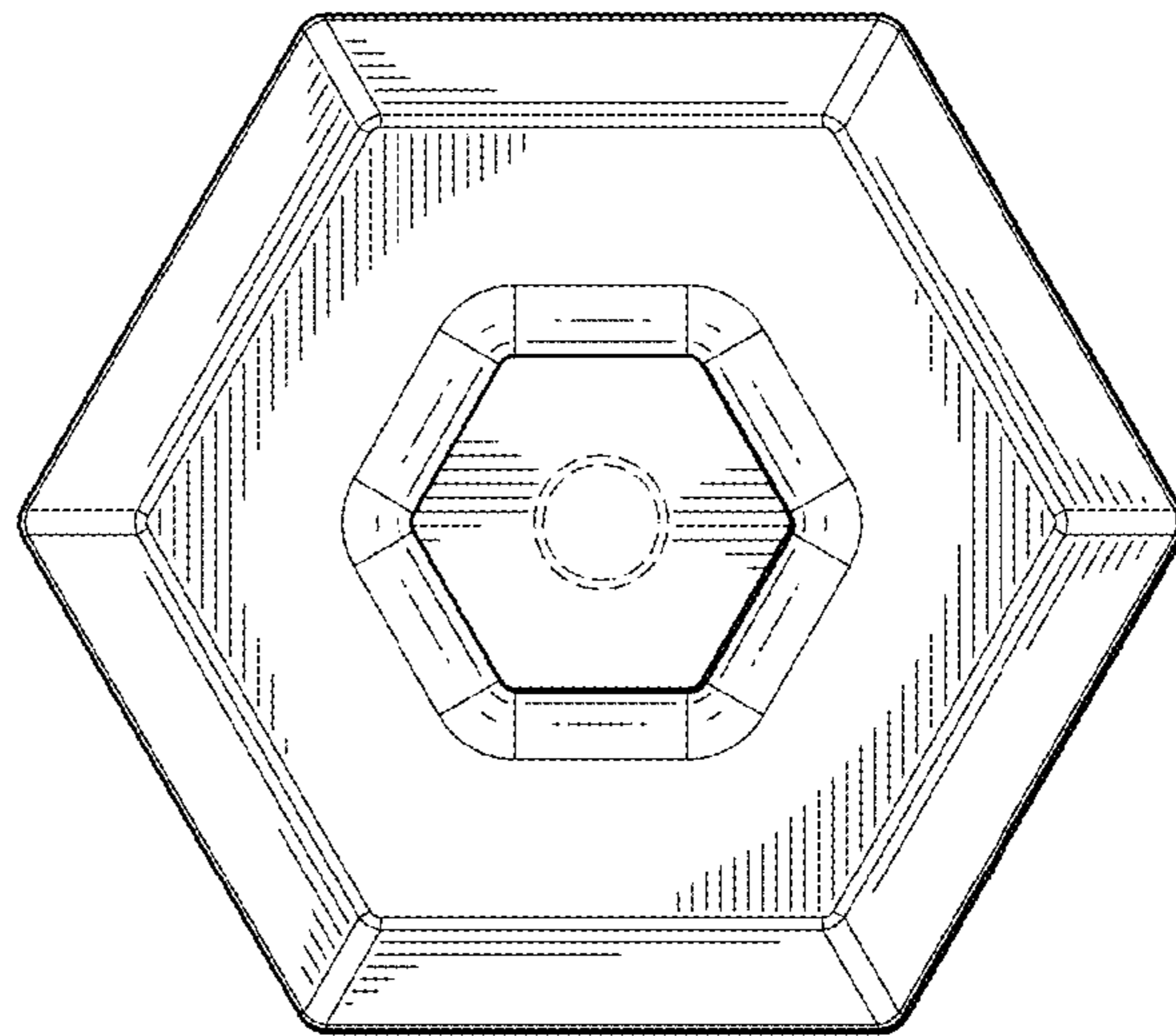


FIG. 5