



US00D771468S

(12) **United States Design Patent** (10) **Patent No.:** **US D771,468 S**
Gallagher et al. (45) **Date of Patent:** **** Nov. 15, 2016**

(54) **TILLER KNOB**
(71) Applicant: **Crown Equipment Corporation**, New Bremen, OH (US)
(72) Inventors: **Michael P. Gallagher**, Greenville, OH (US); **Roger J. Quinlan, Jr.**, Troy, OH (US); **Trisha M. Luthman**, Covington, OH (US)
(73) Assignee: **Crown Equipment Corporation**, New Bremen, OH (US)
(**) Term: **14 Years**
(21) Appl. No.: **29/488,286**
(22) Filed: **Apr. 17, 2014**
(51) **LOC (10) Cl.** **08-06**
(52) **U.S. Cl.**
USPC **D8/307**
(58) **Field of Classification Search**
USPC D8/107, 300-309, 310-312; D7/393; D12/179; 16/110.1, 414, 417, 421, 16/422, 430; 74/473.35, 489, 523, 543, 74/551.9, 553, 557
CPC Y10T 16/469; Y10T 16/476; Y10T 74/20612; Y10T 74/20287; Y10T 74/2084; Y10T 74/20732; Y10T 74/20828; Y10T 16/466; Y10T 74/20864; Y10T 16/44; Y10T 16/506; Y10T 16/46; Y10T 292/82; Y10T 16/4636; Y10T 16/458; Y10T 16/4559; Y10T 16/487; Y10T 16/459; Y10T 74/20018; Y10T 74/20134; Y10T 74/2045; Y10T 292/85; Y10T 29/49599; Y10T 74/20159; Y10T 16/4576; Y10T 70/8378; B62M 25/04; B62M 2701/0053; B62M 2025/003; Y10S 16/12; Y10S 16/30; Y10S 16/19; Y10S 16/40; Y10S 292/02; Y10S 16/902
See application file for complete search history.

1,511,523 A 10/1924 Rucker
1,522,879 A 1/1925 Gregory
1,555,599 A 9/1925 Ontiveros
1,568,737 A 1/1926 Isensee
1,572,995 A 2/1926 Gates
1,614,417 A 1/1927 Whipple
1,620,223 A 3/1927 Norcross
1,685,686 A 9/1928 Smith
1,729,733 A 10/1929 Wilson
1,735,783 A 11/1929 Oliver
1,784,230 A 12/1930 Freeman
1,799,774 A 4/1931 Baruh
1,834,537 A 12/1931 Shipley
1,861,586 A 6/1932 Shipley
1,865,072 A 6/1932 Appleman et al.
1,866,111 A 7/1932 Jones
1,889,118 A * 11/1932 Andrews G05G 1/06
248/114
1,901,171 A 3/1933 Kauffman
1,936,037 A 11/1933 Webb
RE19,509 E 3/1935 Webb
2,101,519 A 12/1937 Thorp

(Continued)

Primary Examiner — Derrick Holland
Assistant Examiner — Lauren Calve
(74) *Attorney, Agent, or Firm* — Stevens & Showalter LLP

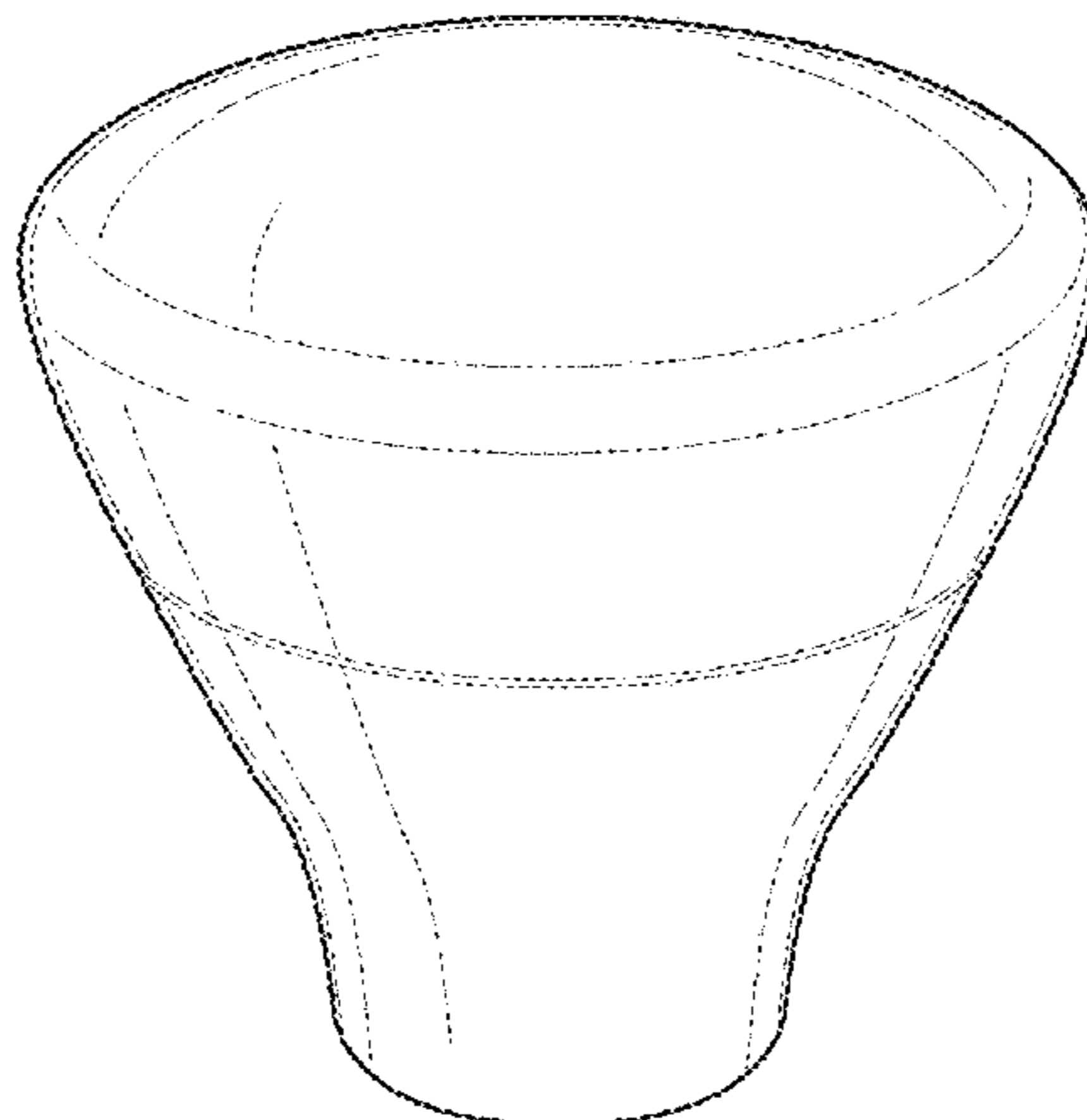
(57) **CLAIM**
The ornamental design for a tiller knob, as shown and described.

DESCRIPTION

FIG. 1 is a perspective view of a tiller knob shown in an environmental state;
FIG. 2 is a top perspective view thereof;
FIG. 3 is a bottom perspective view thereof;
FIG. 4 is a side elevational view thereof;
FIG. 5 is a top view thereof; and,
FIG. 6 is a bottom view thereof.
The broken lines shown represent unclaimed subject matter and form no part of the claimed design.

1 Claim, 3 Drawing Sheets

(56) **References Cited**
U.S. PATENT DOCUMENTS
1,135,615 A 4/1915 Rathmann
1,453,012 A 4/1923 Jackson



(56)

References Cited

U.S. PATENT DOCUMENTS

2,118,573 A 5/1938 Sinko
 2,123,811 A 7/1938 Sinko
 RE20,890 E 10/1938 Thorp
 2,139,546 A 12/1938 Hansen
 2,142,766 A 1/1939 Sinko
 2,267,308 A 12/1941 Russell et al.
 2,294,011 A 8/1942 Villas
 2,331,588 A 10/1943 Woodson
 2,413,132 A 12/1946 Anderson
 2,432,262 A 12/1947 Thorp
 D148,914 S * 3/1948 Daubenberger D12/179
 2,441,061 A 5/1948 Deer
 2,449,575 A 9/1948 Wilhelm
 2,475,858 A 7/1949 Riemann
 2,482,641 A 9/1949 Stites
 2,509,319 A 5/1950 Sinko
 2,516,532 A 7/1950 Sinko
 2,555,769 A 6/1951 Stites
 2,561,961 A 7/1951 White
 2,567,901 A 9/1951 Wood
 2,573,475 A 10/1951 McFarland
 2,579,165 A 12/1951 Woodruff
 2,592,413 A 4/1952 Garfield
 2,721,597 A * 10/1955 Pitrella E05B 1/0061
 150/155
 2,729,116 A 1/1956 Arnold
 2,751,243 A * 6/1956 Biblin E05C 1/163
 292/337
 2,755,121 A * 7/1956 Aslagsen E05C 1/163
 292/169.16
 D179,458 S * 12/1956 Ohno D8/310
 D179,679 S * 2/1957 Ellis D8/310
 2,790,330 A 4/1957 Sinko
 2,800,352 A * 7/1957 Biblin E05B 55/005
 292/352
 2,801,123 A * 7/1957 Kubik E05B 3/003
 292/352
 2,932,982 A 4/1960 Enders
 3,285,092 A 11/1966 Sokol

D214,618 S * 7/1969 Waitman-Warner D12/179
 4,724,718 A 2/1988 Foggini
 4,791,826 A 12/1988 Behrens
 D301,681 S * 6/1989 Jans D8/310
 4,971,375 A * 11/1990 Grecco E05B 1/0053
 16/426
 D327,732 S * 7/1992 Yost D23/250
 5,284,400 A 2/1994 Thomas
 5,289,736 A 3/1994 Fujimori
 5,520,071 A 5/1996 Jones
 D383,371 S * 9/1997 Doughty D8/310
 5,870,800 A 2/1999 Chao
 6,038,937 A * 3/2000 Van Order F16H 59/105
 200/61.85
 6,108,871 A 8/2000 Weakland et al.
 D438,755 S * 3/2001 Rae D7/393
 6,231,092 B1 * 5/2001 Shields A47B 95/02
 292/347
 D444,028 S * 6/2001 Rae D7/393
 6,526,845 B2 3/2003 Moc
 6,701,801 B1 3/2004 Wilson et al.
 D542,115 S * 5/2007 Hanna D8/310
 D569,216 S * 5/2008 Muchin D12/179
 D572,567 S * 7/2008 Flynn D8/307
 D595,559 S * 7/2009 Banjo D12/179
 D601,402 S * 10/2009 Jackson D8/310
 D640,120 S * 6/2011 Zorovich D8/107
 D655,147 S * 3/2012 Zorovich D8/107
 8,353,085 B2 * 1/2013 Balzano A47K 5/12
 16/110.1
 D744,311 S * 12/2015 Gallagher D8/307
 2004/0026159 A1 2/2004 Gerolimatos
 2005/0073159 A1 * 4/2005 Moyo E05B 1/0007
 292/347
 2009/0013820 A1 1/2009 Merten et al.
 2010/0050391 A1 * 3/2010 Forrest A47B 95/02
 16/441
 2010/0139046 A1 * 6/2010 Daniels A47B 95/02
 16/414
 2010/0293755 A1 * 11/2010 Draper A45C 13/262
 16/430

* cited by examiner

FIG. 1

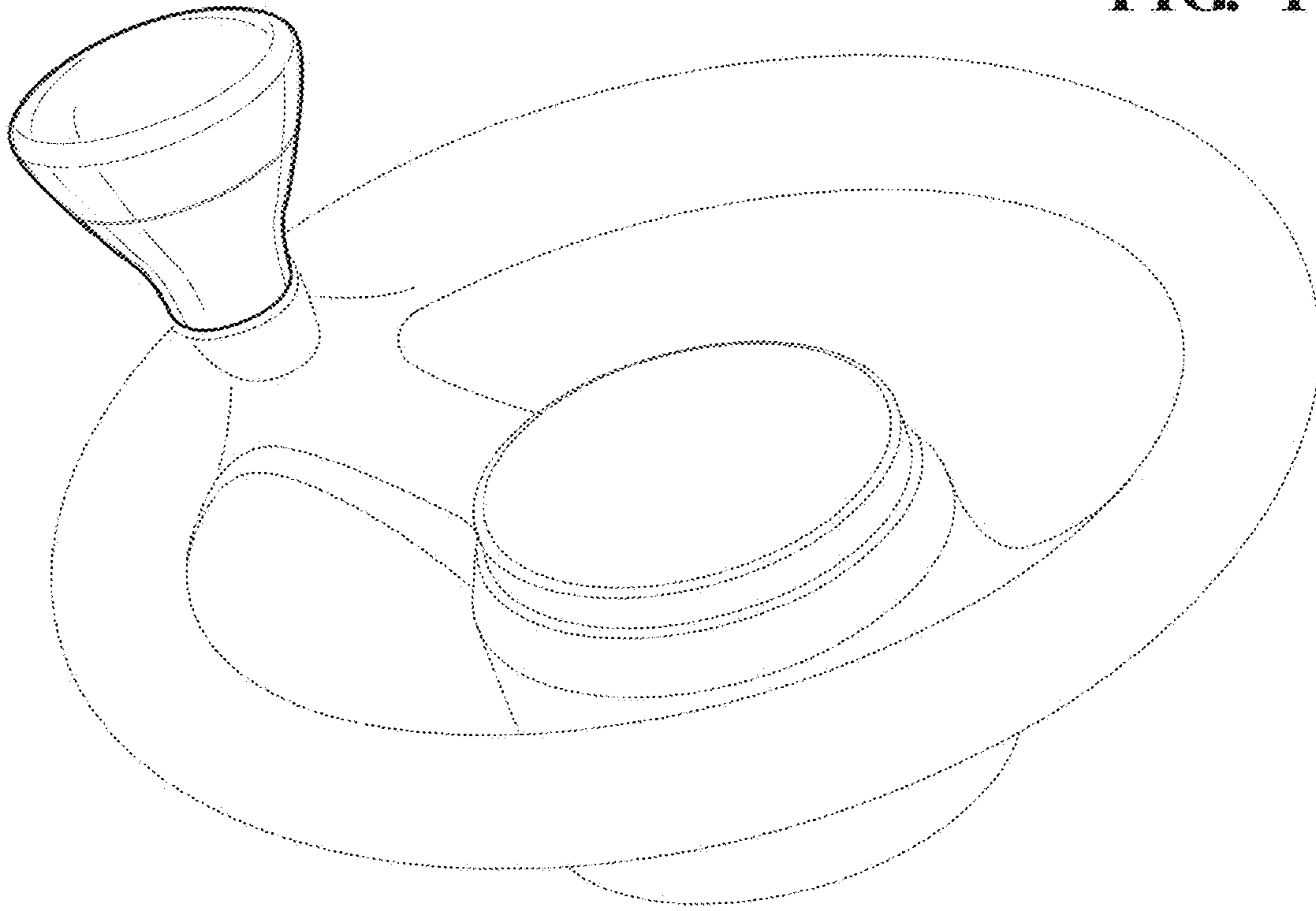


FIG. 2

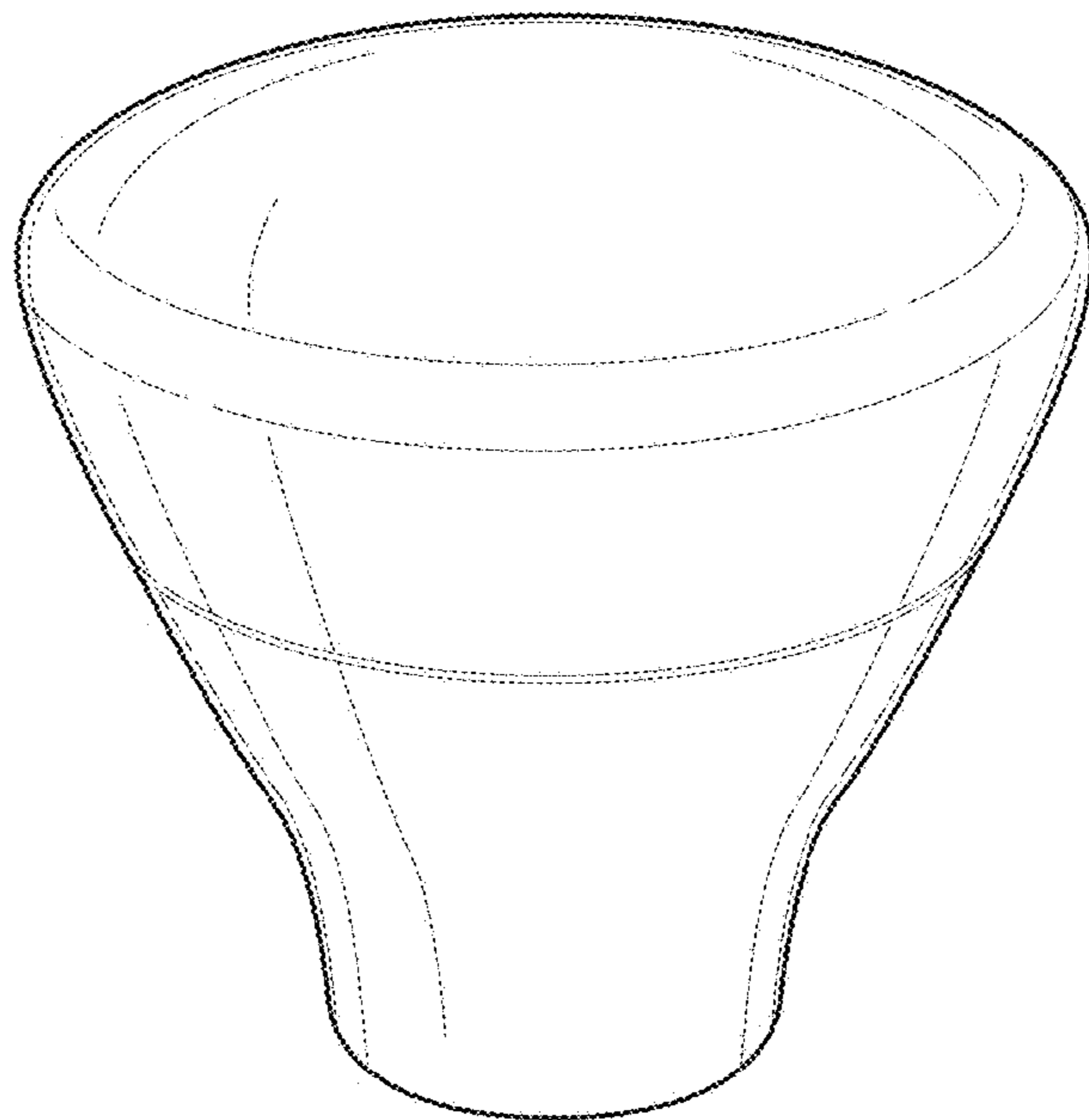


FIG. 3

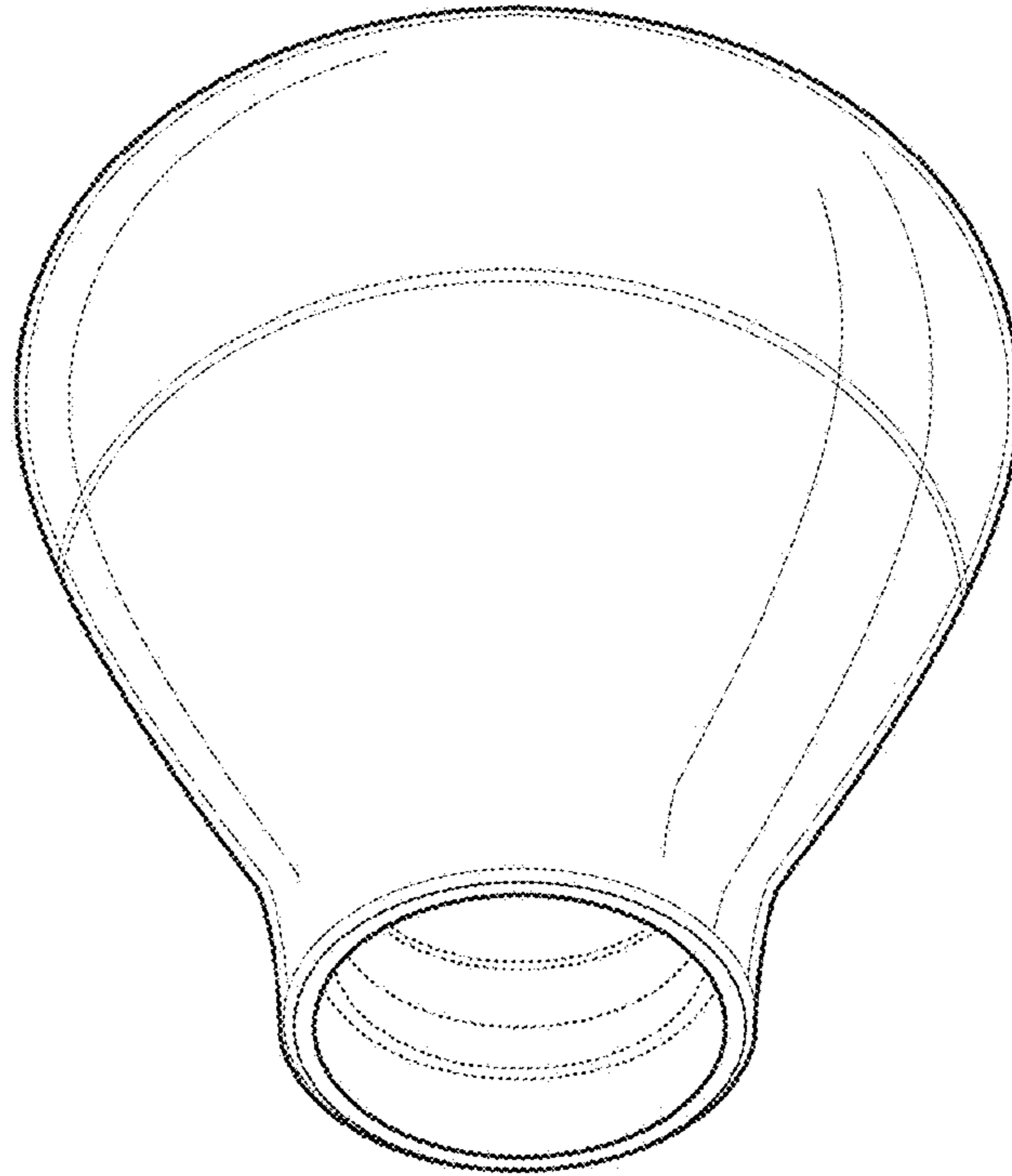


FIG. 4

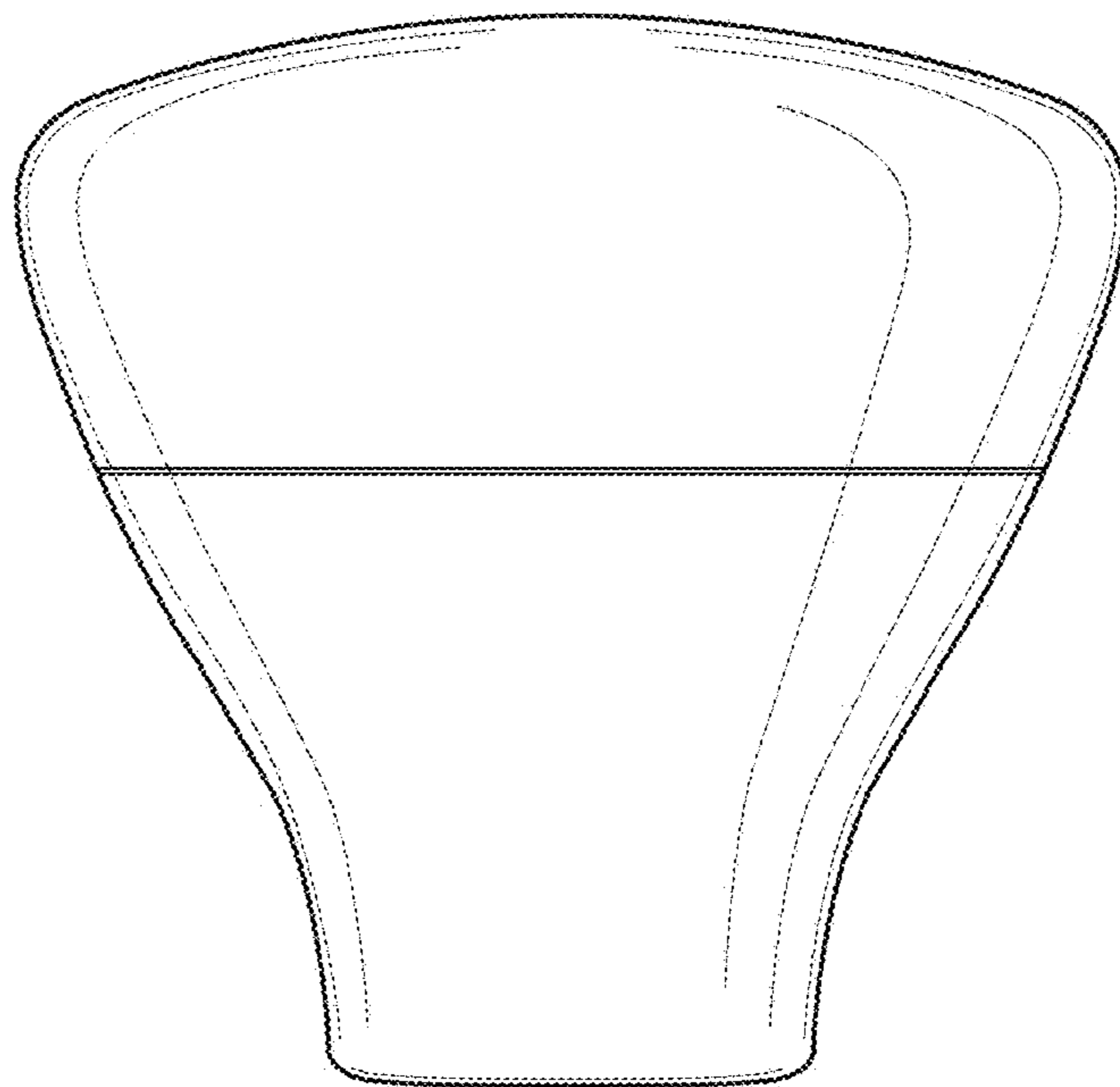


FIG. 5

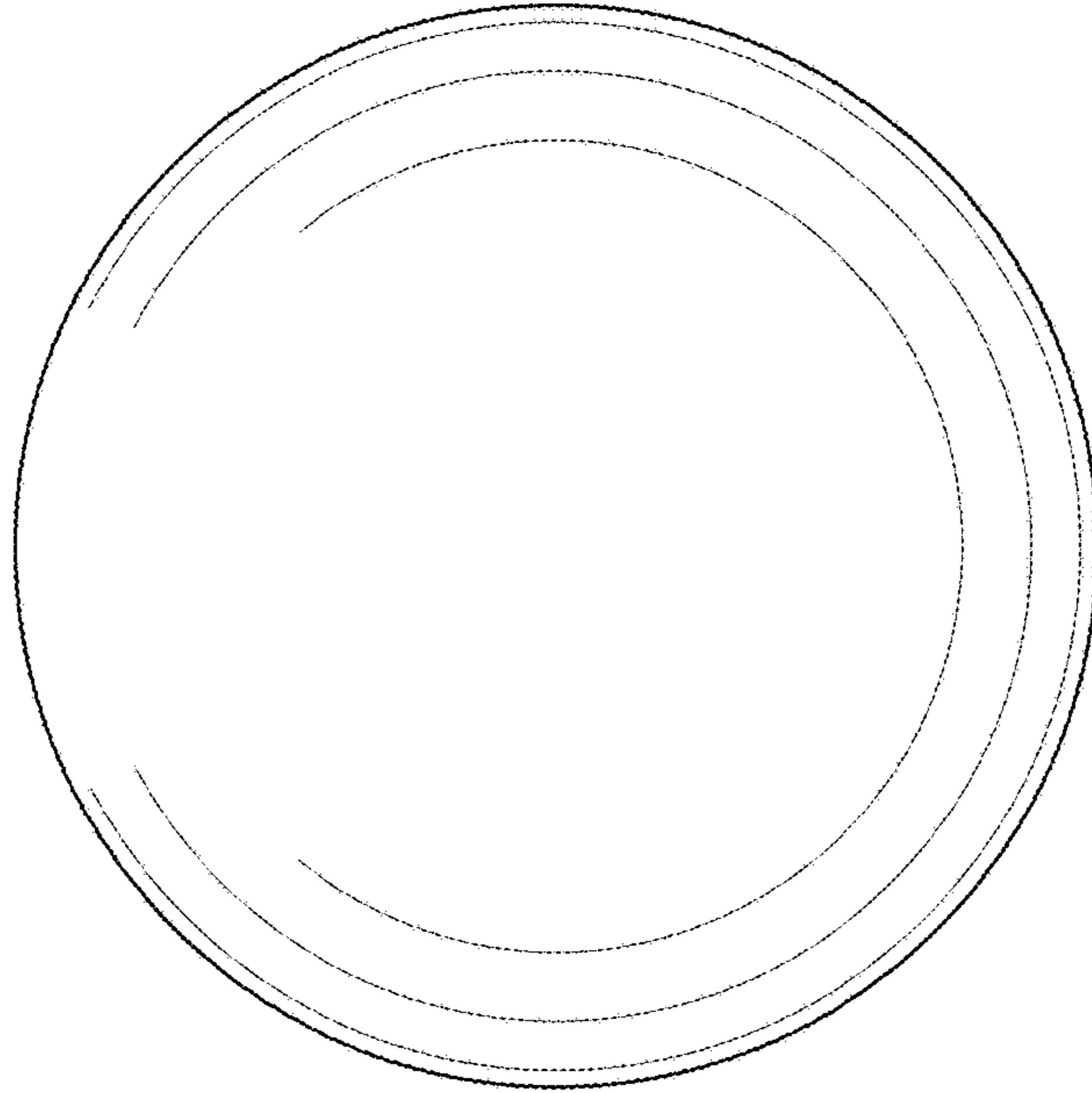


FIG. 6

