



US00D771467S

(12) **United States Design Patent** (10) **Patent No.:** **US D771,467 S**
McKeone et al. (45) **Date of Patent:** **** Nov. 15, 2016**

(54) **HANDLE**

E05B 77/06; E05B 79/06; E05B 85/18;
E05B 85/12; E05B 85/10; E05B 7/00;
E05B 1/0053; E05B 77/265

(71) Applicant: **Kohler Co.**, Kohler, WI (US)

See application file for complete search history.

(72) Inventors: **William C. McKeone**, Sheboygan, WI (US); **Jill E. Hundley**, Sheboygan, WI (US)

(56) **References Cited**

U.S. PATENT DOCUMENTS

(73) Assignee: **KOHLER CO.**, Kohler, WI (US)

D321,822 S	*	11/1991	Pechar	D8/301
D630,083 S	*	1/2011	Zhang	D8/308
D676,935 S	*	2/2013	Mendoza	D23/252
D716,418 S		10/2014	Hundley et al.		

(**) Term: **14 Years**

* cited by examiner

(21) Appl. No.: **29/503,554**

(22) Filed: **Sep. 26, 2014**

Primary Examiner — Derrick Holland

(51) **LOC (10) Cl.** **08-06**

Assistant Examiner — Lauren Calve

(52) **U.S. Cl.**
USPC **D8/301**

(74) *Attorney, Agent, or Firm* — Foley & Lardner LLP

(58) **Field of Classification Search**
USPC D8/300–302, 307–309, 310, 311,
D8/DIG. 10; D23/241, 242, 250, 252;
292/336.3; 74/523, 543; 70/192, 201,
70/206, 207; 16/110.1, 412, 416, DIG. 30
CPC Y10T 16/44; Y10T 74/20612; Y10T
74/20732; Y10T 16/458; Y10T 16/498;
Y10T 16/469; Y10T 16/476; Y10T 74/20744;
Y10T 74/20864; Y10T 16/4628; Y10T
74/20642; Y10T 16/473; Y10T 74/20762;
Y10T 74/2042; Y10T 74/20828; Y10T
16/459; Y10T 16/4713; Y10T 74/2014;
Y10T 16/50; Y10T 74/20438; Y10T
74/20582; Y10T 74/20738; Y10T 16/48;
Y10T 74/20618; Y10T 74/20684; Y10T
74/20624; Y10T 74/20468; Y10T 16/61;
Y10T 16/4719; Y10T 16/86; Y10S 16/30;
Y10S 292/31; Y10S 292/53; Y10S 16/12;
Y10S 292/23; Y10S 292/27; Y10S 292/30;
Y10S 292/63; E05B 85/16; E05B 1/0015;

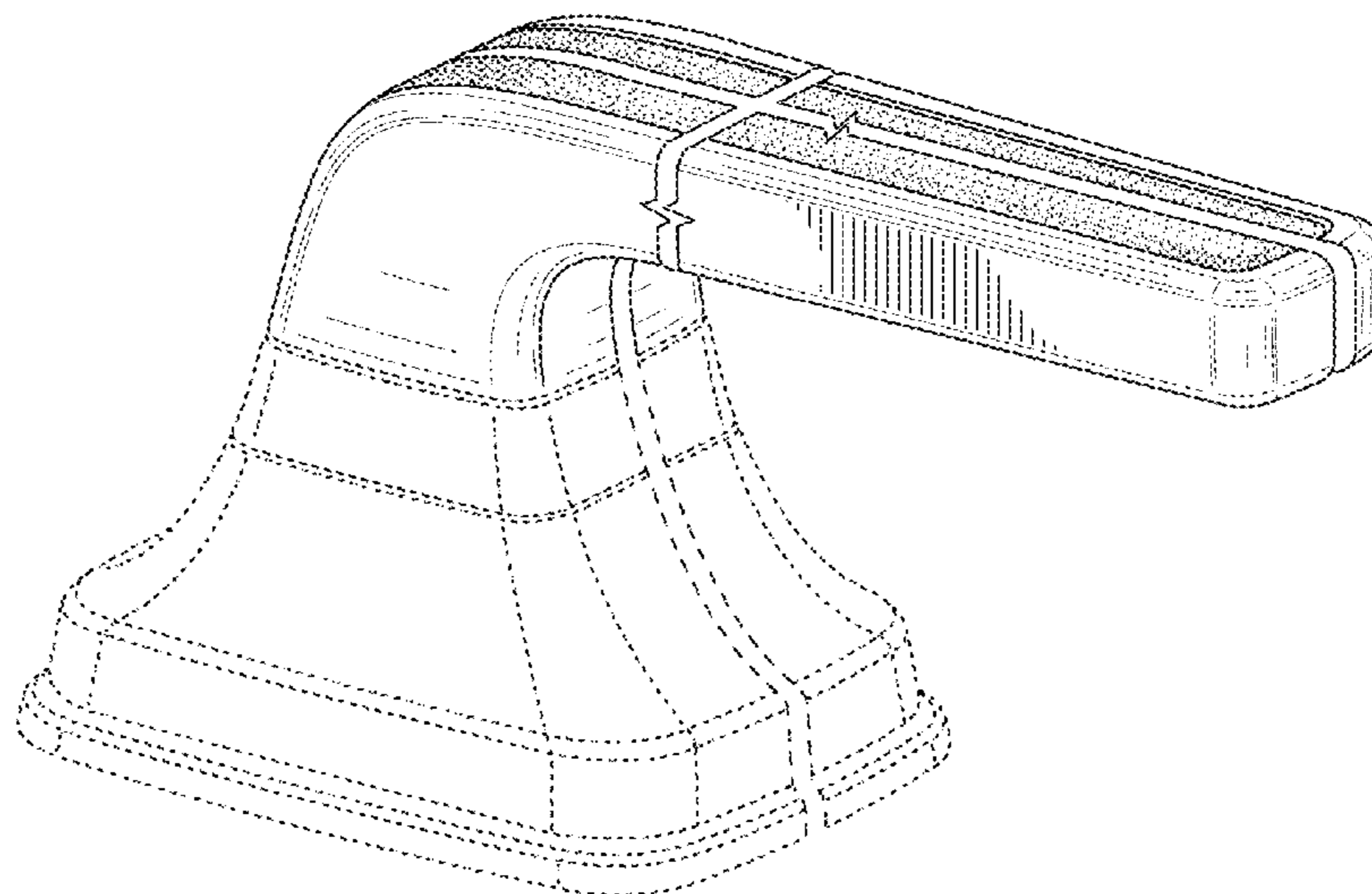
(57) **CLAIM**

We claim the ornamental design for a handle, as shown and described.

DESCRIPTION

FIG. 1 is a top, front, left perspective view of a handle according to the claimed design;
FIG. 2 is a front elevation view thereof;
FIG. 3 is a rear elevation view thereof;
FIG. 4 is a top plan view thereof;
FIG. 5 is a bottom plan view thereof;
FIG. 6 is a right elevation view thereof; and,
FIG. 7 is a left elevation view thereof.
The broken lines shown represent unclaimed subject matter and form no part of the claimed design. The claim is shown with a symbolic break in its length. The appearance of any portion of the article between the break lines forms no part of the claimed design. The surface stippling represents a contrast of color relative to the non-stippled areas.

1 Claim, 7 Drawing Sheets



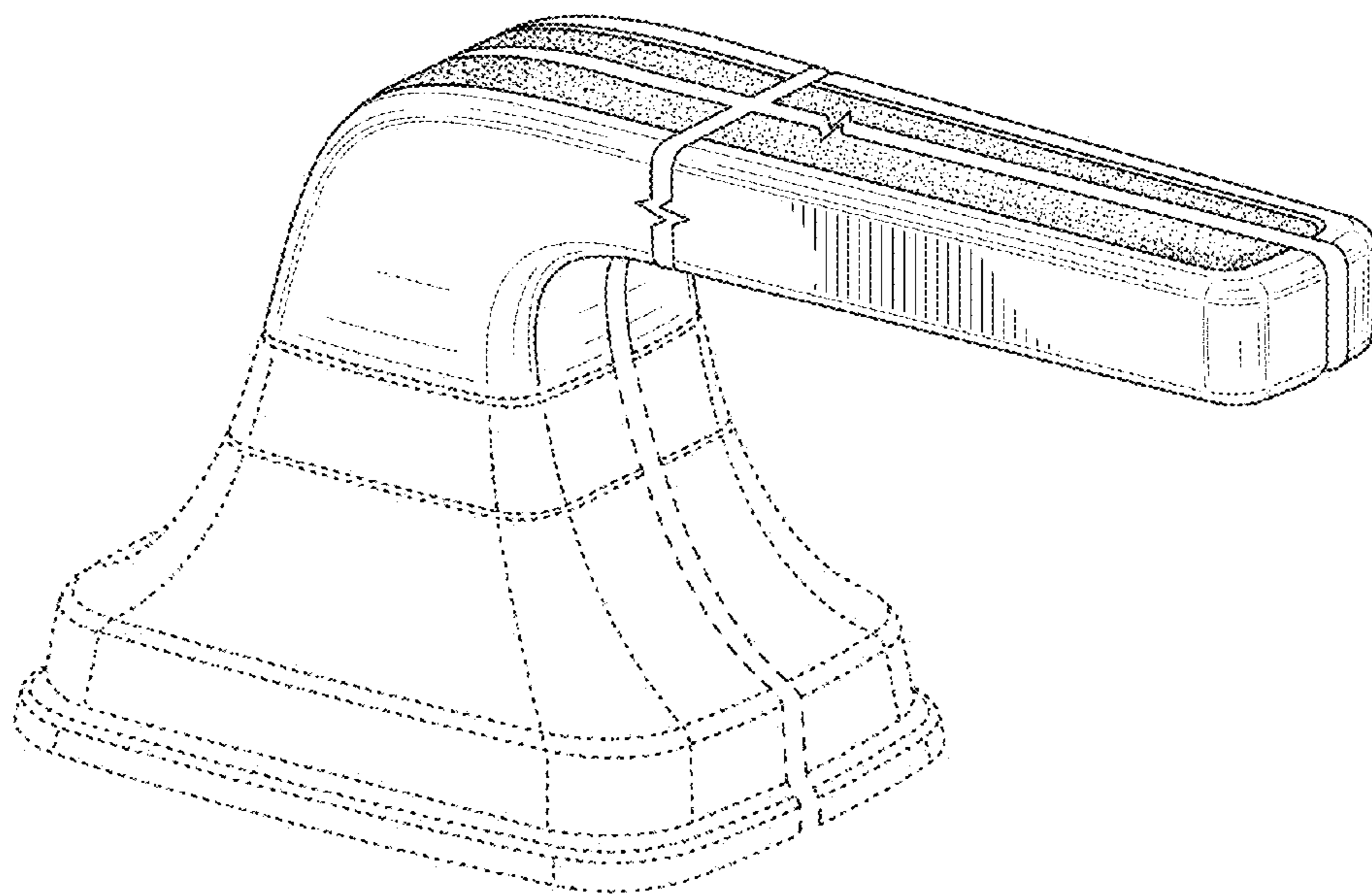


FIG. 1

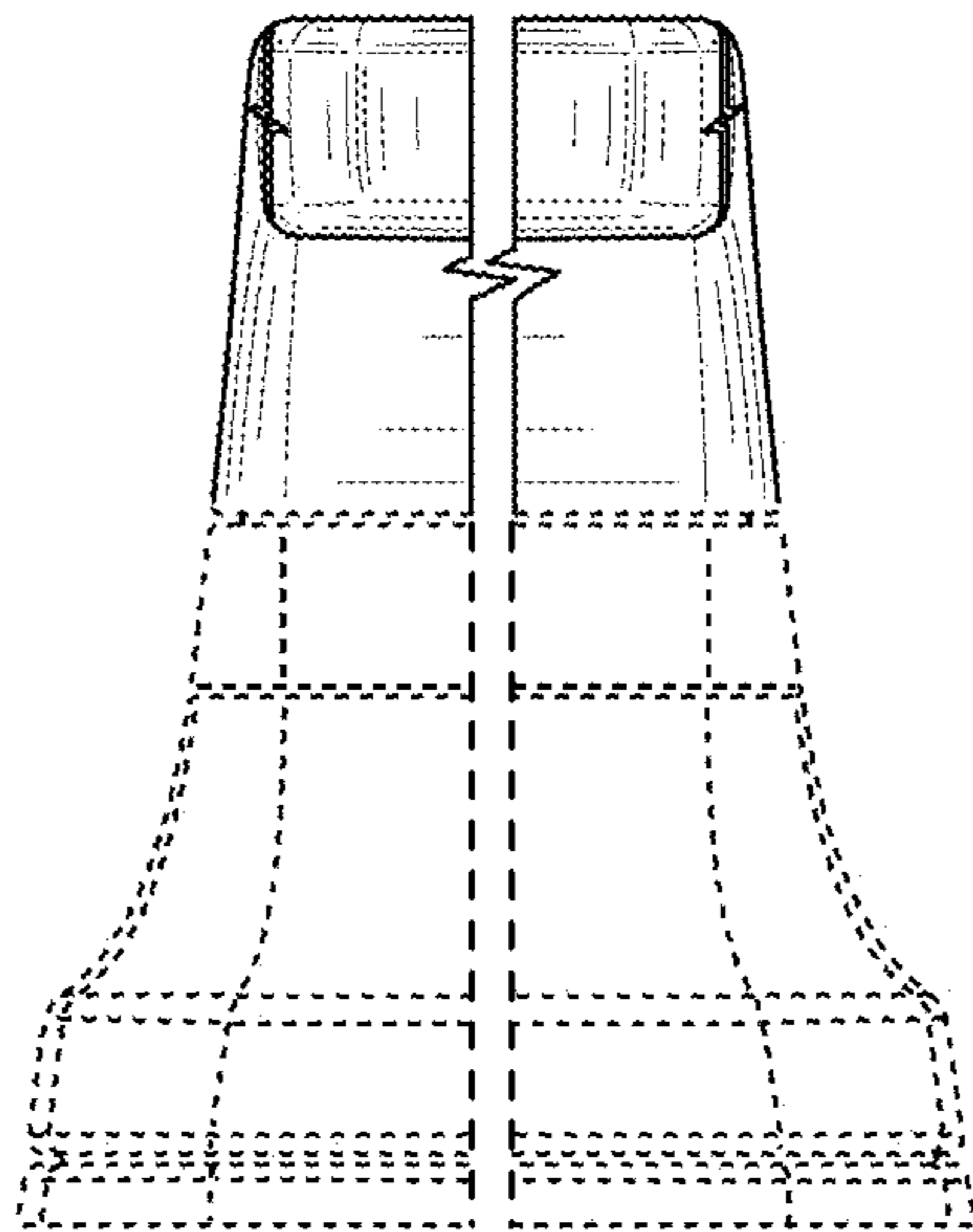


FIG. 2

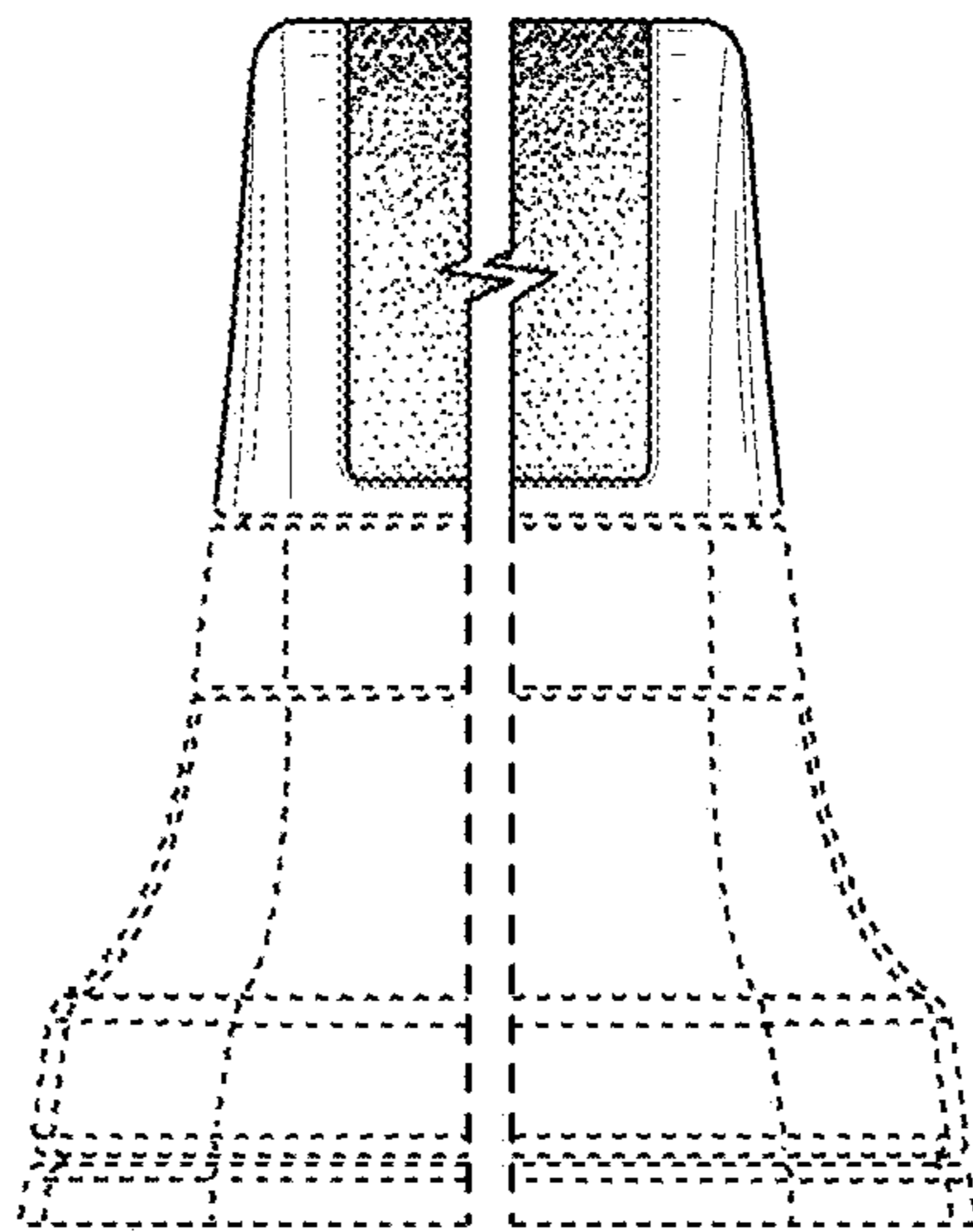


FIG. 3

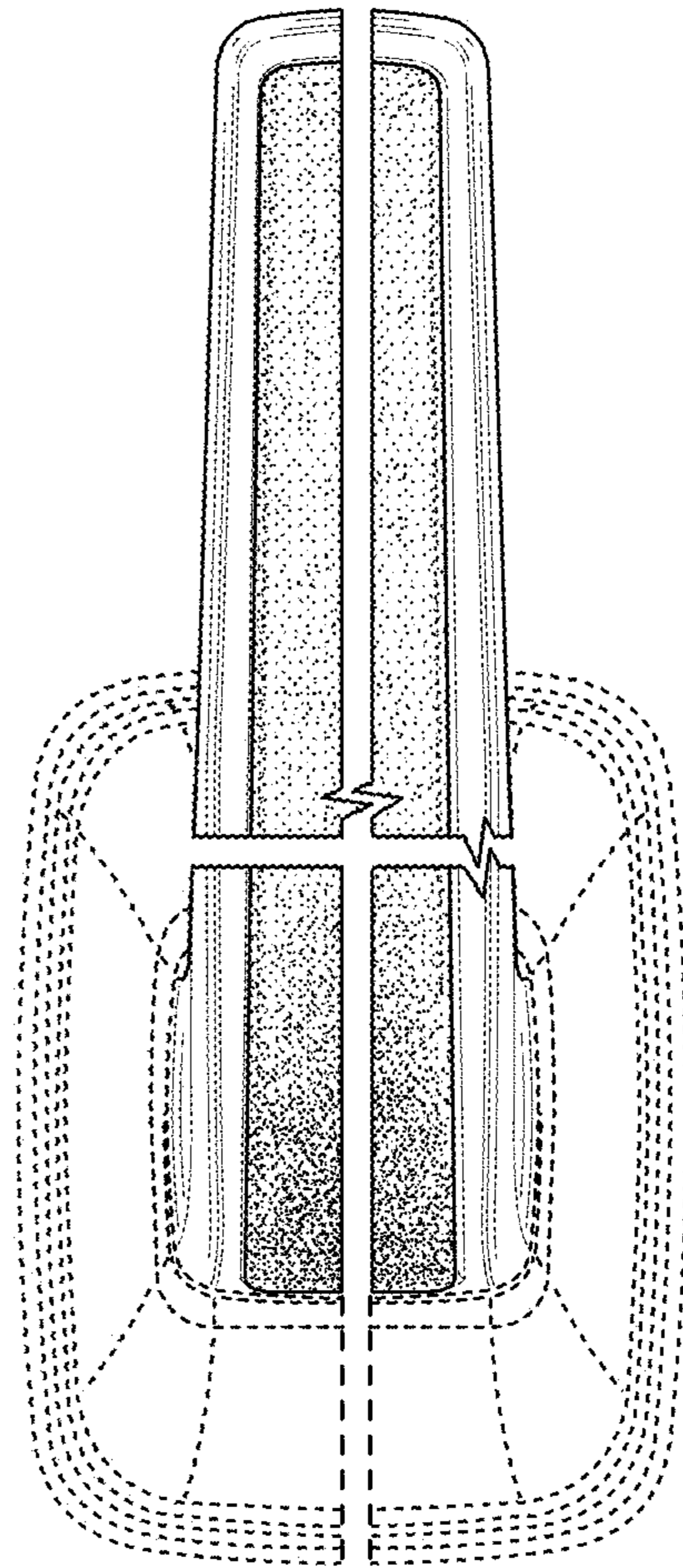


FIG. 4

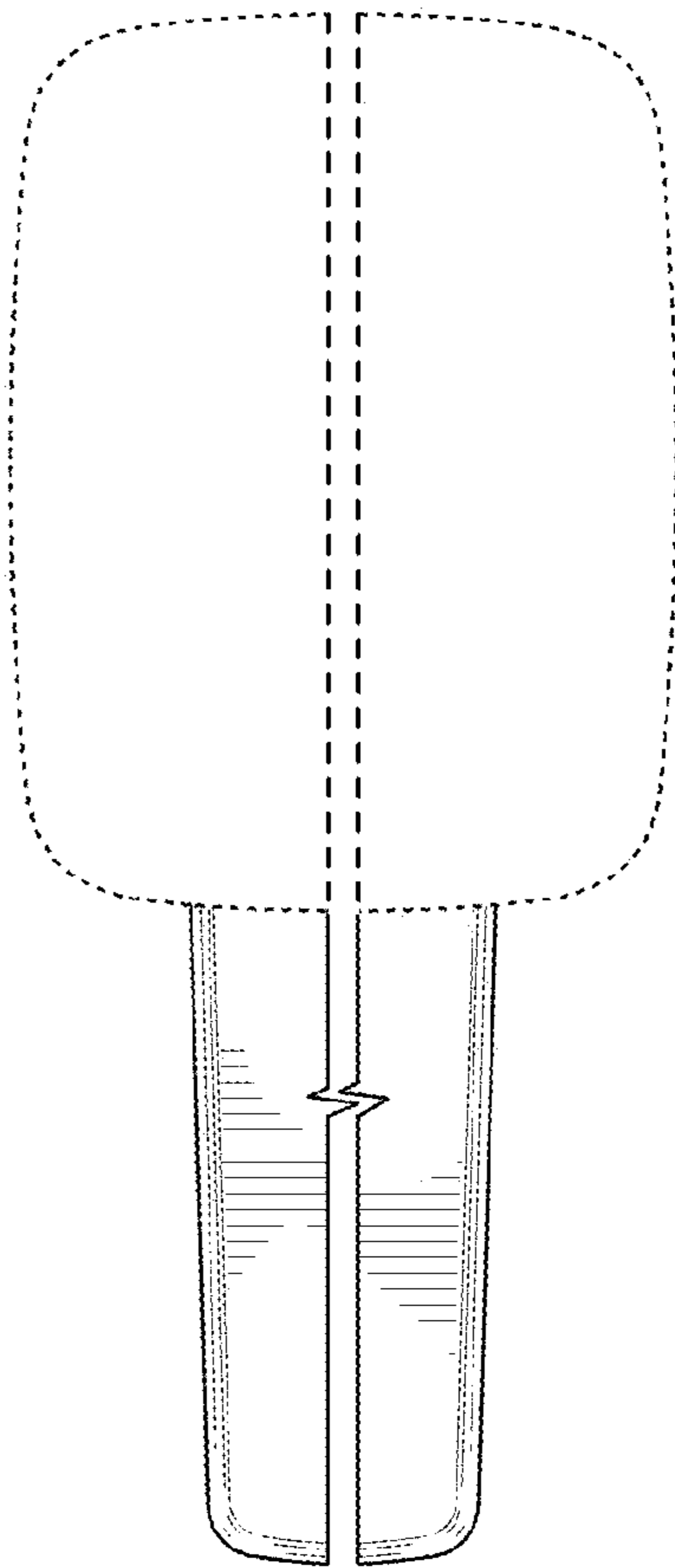


FIG. 5

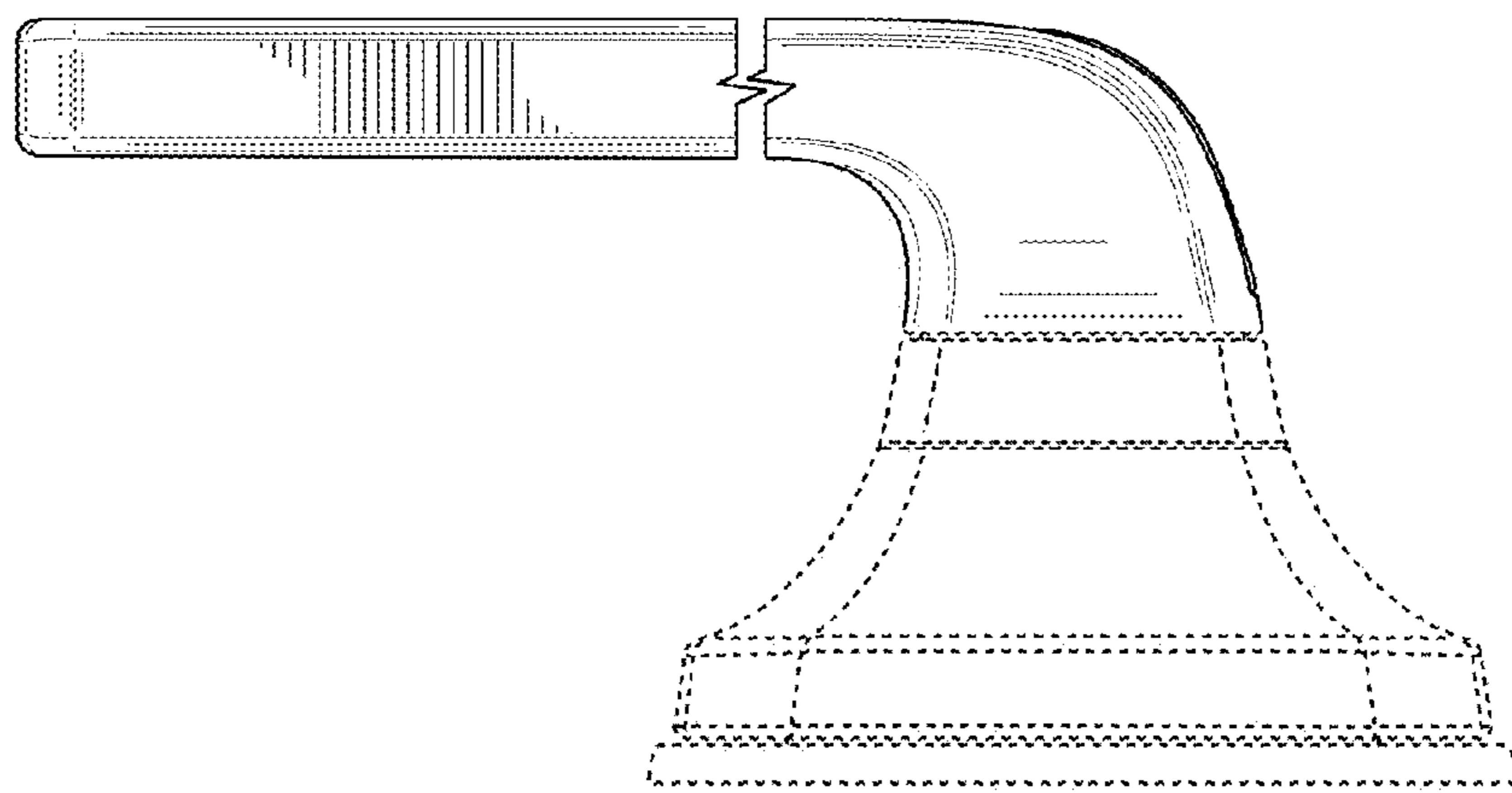


FIG. 6

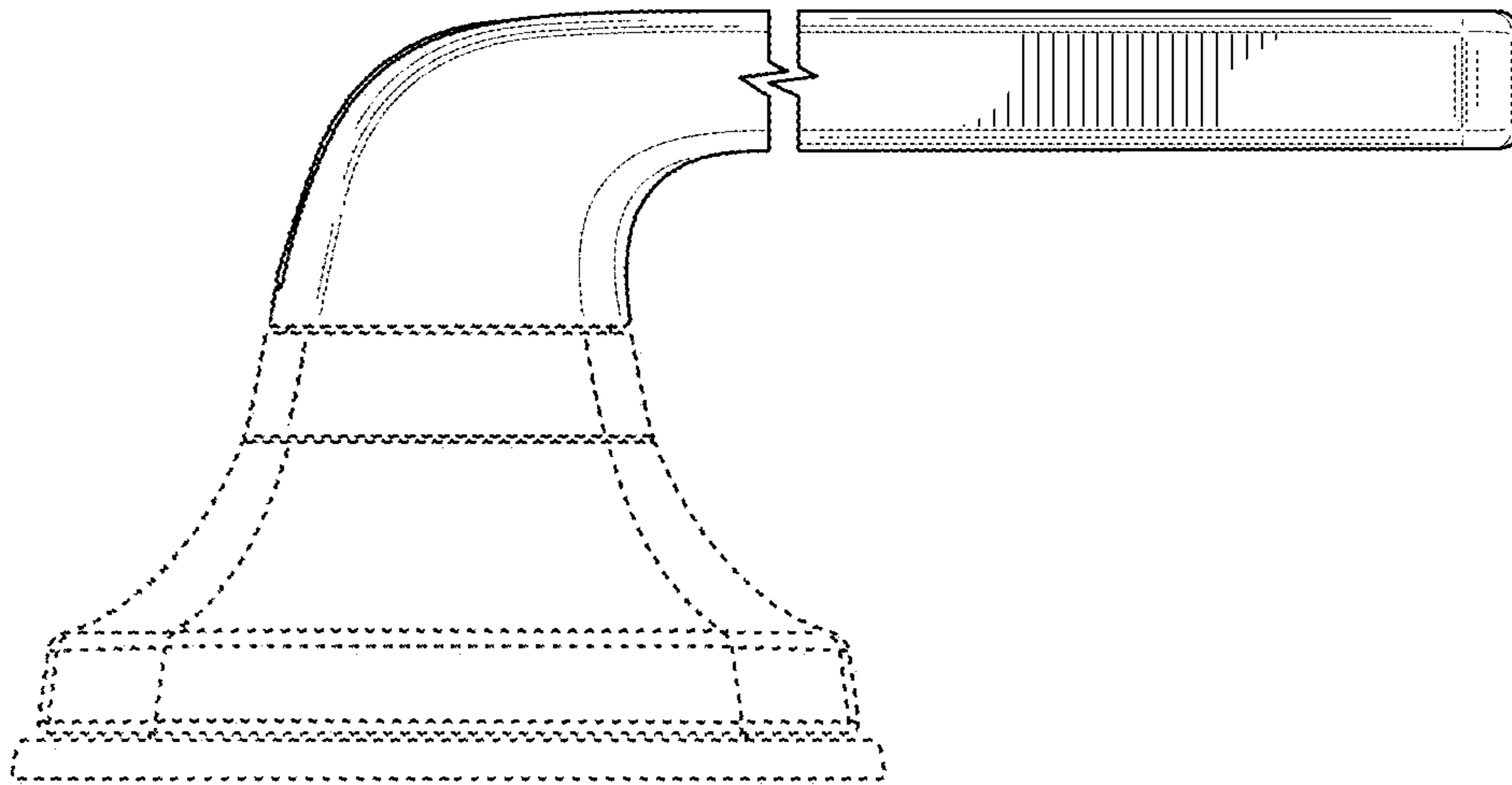


FIG. 7