



US00D771466S

(12) **United States Design Patent**
Côté et al.

(10) **Patent No.:** **US D771,466 S**

(45) **Date of Patent:** **** Nov. 15, 2016**

(54) **HANDLE**

(71) Applicant: **GARANT GP**, Saint-François (CA)

(72) Inventors: **Johnathan Côté**, Boucherville (CA);
Mathieu Bouchard, Montreal (CA)

(73) Assignee: **GARANT GP**, Saint-François (CA)

(**) Term: **14 Years**

(21) Appl. No.: **29/523,759**

(22) Filed: **Apr. 14, 2015**

(51) **LOC (10) Cl.** **08-05**

(52) **U.S. Cl.**
USPC **D8/107**

(58) **Field of Classification Search**
USPC D8/10, 11, 12, 14, 107, 300
CPC A01B 1/026; Y10T 16/469; A45F 5/10;
A45F 2005/1033
See application file for complete search history.

(56) **References Cited**

U.S. PATENT DOCUMENTS

1,083,054	A *	12/1913	Brown	B25G 1/00	15/246
4,155,582	A	5/1979	Reisner			
D262,351	S *	12/1981	Oas	D8/1	
D377,300	S *	1/1997	Fredrick von Essen	D8/10	
6,553,627	B1 *	4/2003	Horler	B25G 1/00	15/144.1
6,704,968	B2 *	3/2004	Lau	A01B 1/026	16/426
7,014,232	B2 *	3/2006	Bosa	A01B 1/026	16/426

D572,563	S *	7/2008	McRoberts	D8/107	
D588,004	S *	3/2009	Hildebrand	D9/448	
D593,821	S *	6/2009	Kopp	D8/10	
7,657,972	B2	2/2010	Jenkins			
7,853,256	B2 *	12/2010	Chae	H04W 72/02	370/331
7,971,914	B1	7/2011	Pladson			
8,181,436	B1 *	5/2012	McMillan	A01D 7/08	16/426
8,381,358	B1 *	2/2013	Frey	A45F 5/10	16/406
2011/0173778	A1	7/2011	Wales			
2013/0269153	A1	10/2013	Longley et al.			

FOREIGN PATENT DOCUMENTS

CA 2809806 A1 10/2013

* cited by examiner

Primary Examiner — Phillip S Hyder

(74) *Attorney, Agent, or Firm* — Gwendoline Bruneau

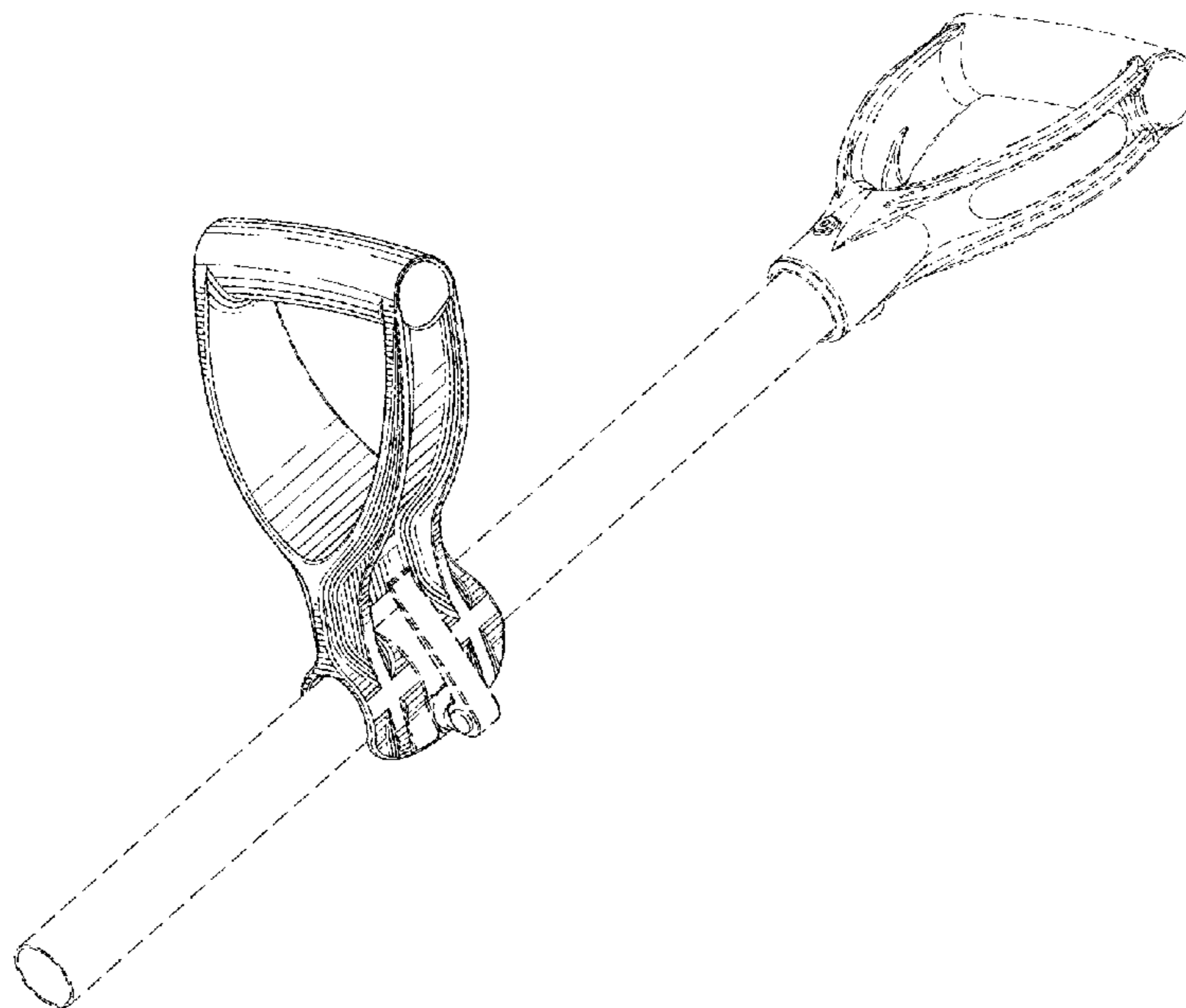
(57) **CLAIM**

The ornamental design for a handle, as shown and described.

DESCRIPTION

FIG. 1 is perspective front view of the handle; FIG. 2 is a front view of the handle of FIG. 1; FIG. 3 is a rear view of the handle of FIG. 1; FIG. 4 is a top view of the handle of FIG. 1; FIG. 5 is a bottom view of the handle of FIG. 1; and, FIG. 6 is a side view of the handle of FIG. 1. The broken line showings of the elongated handle and the latch are provided for the purposes of environment and form no part of the claimed design.

1 Claim, 6 Drawing Sheets



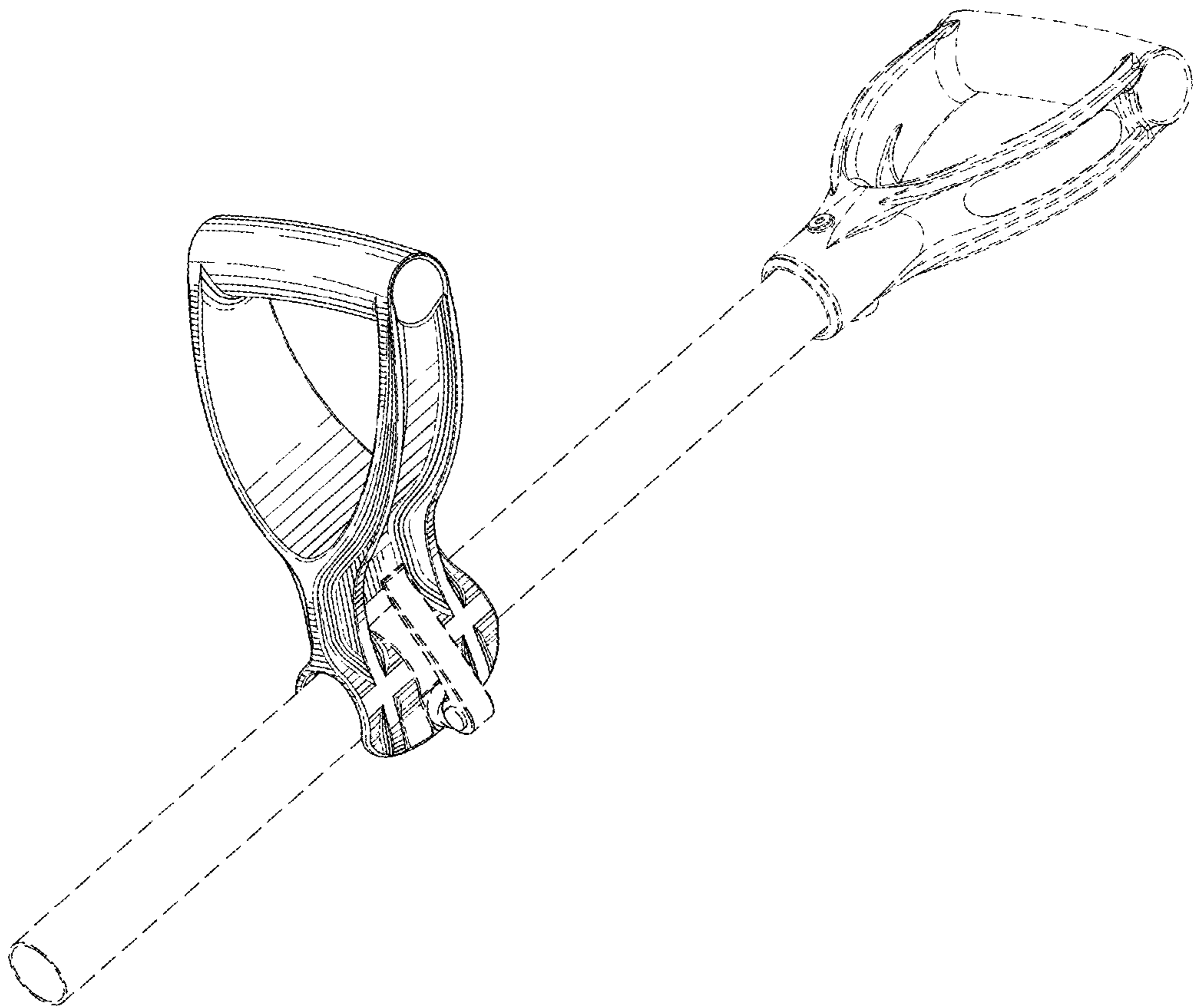


FIG. 1

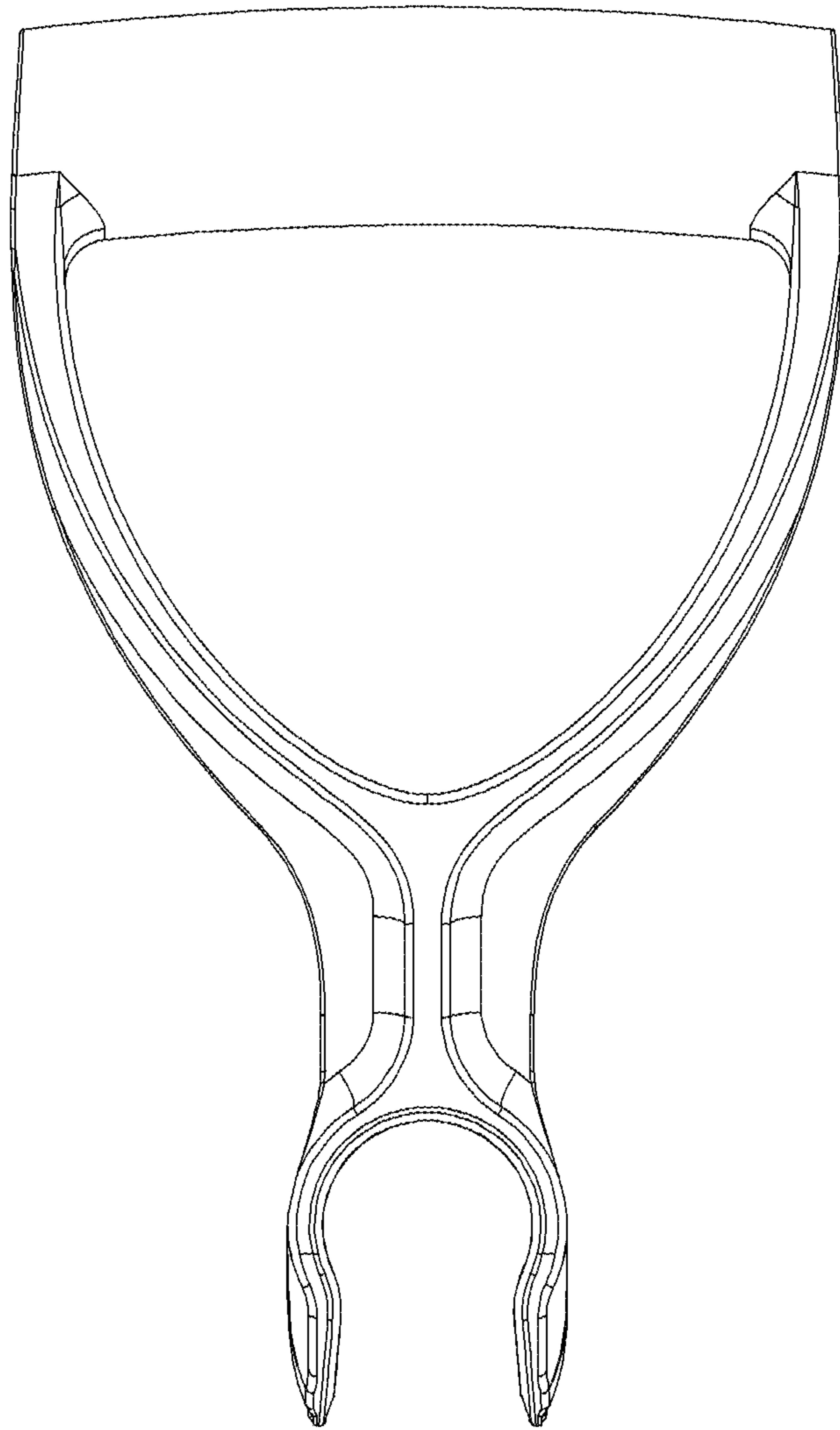


Figure 2

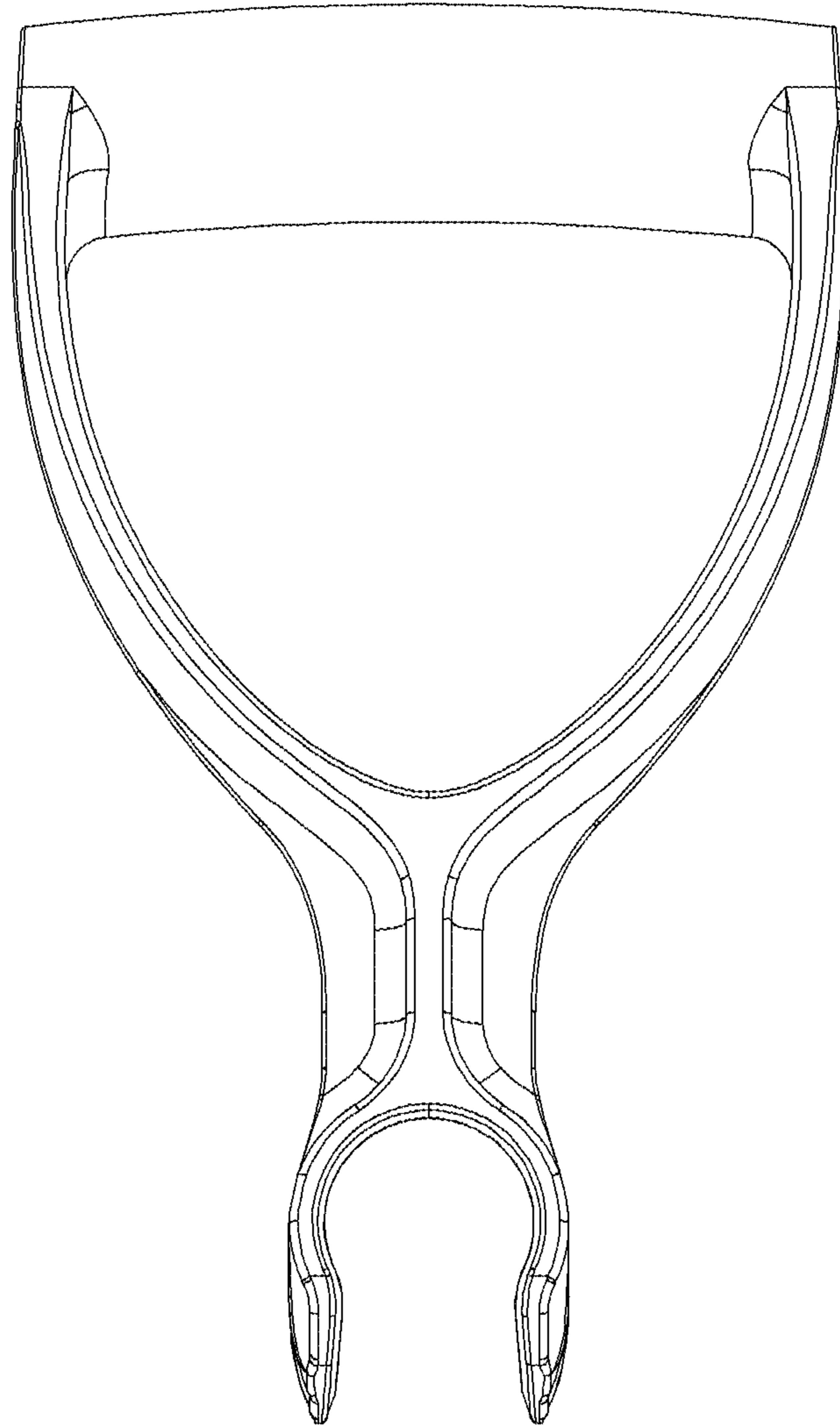


Figure 3

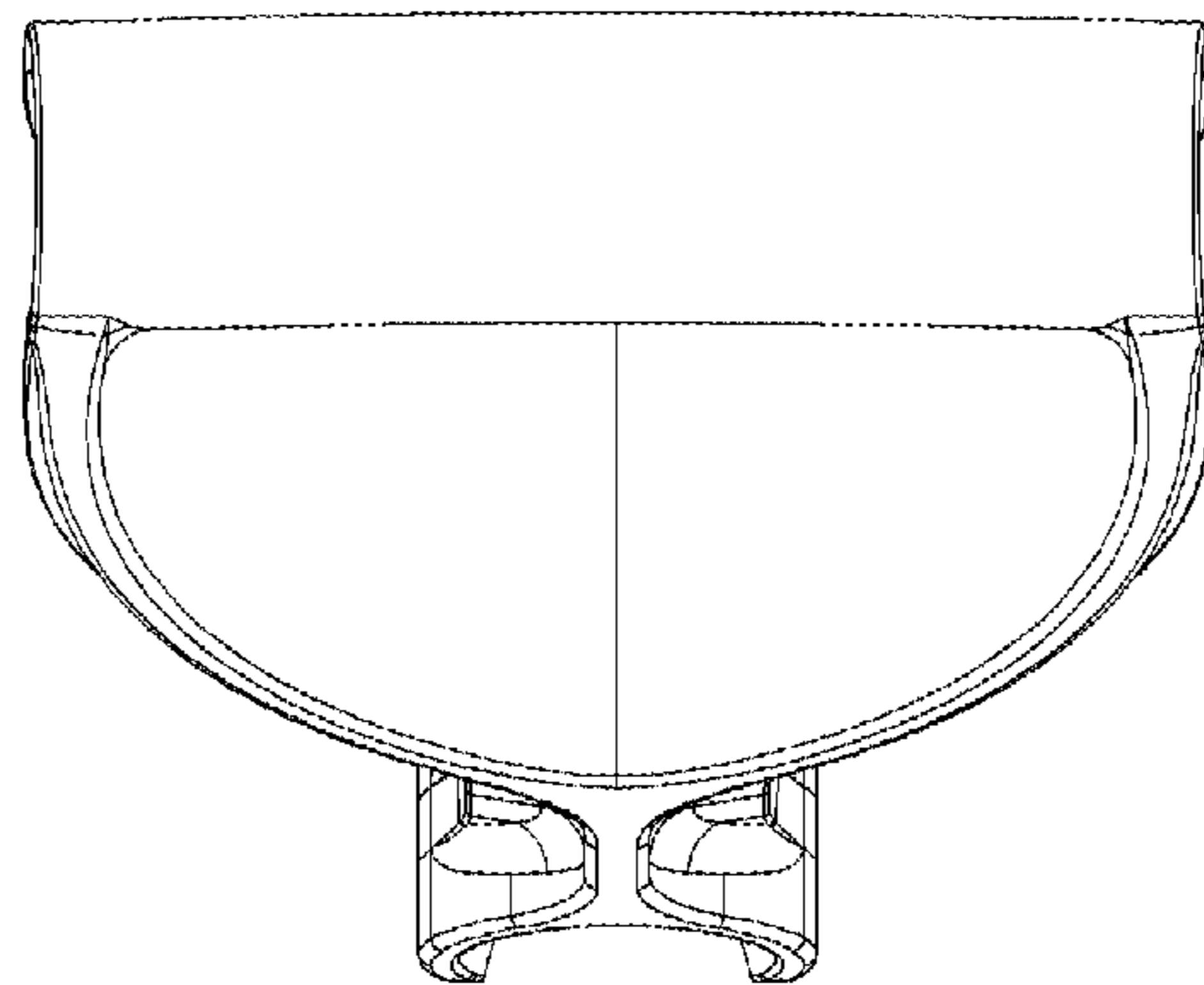


Figure 4

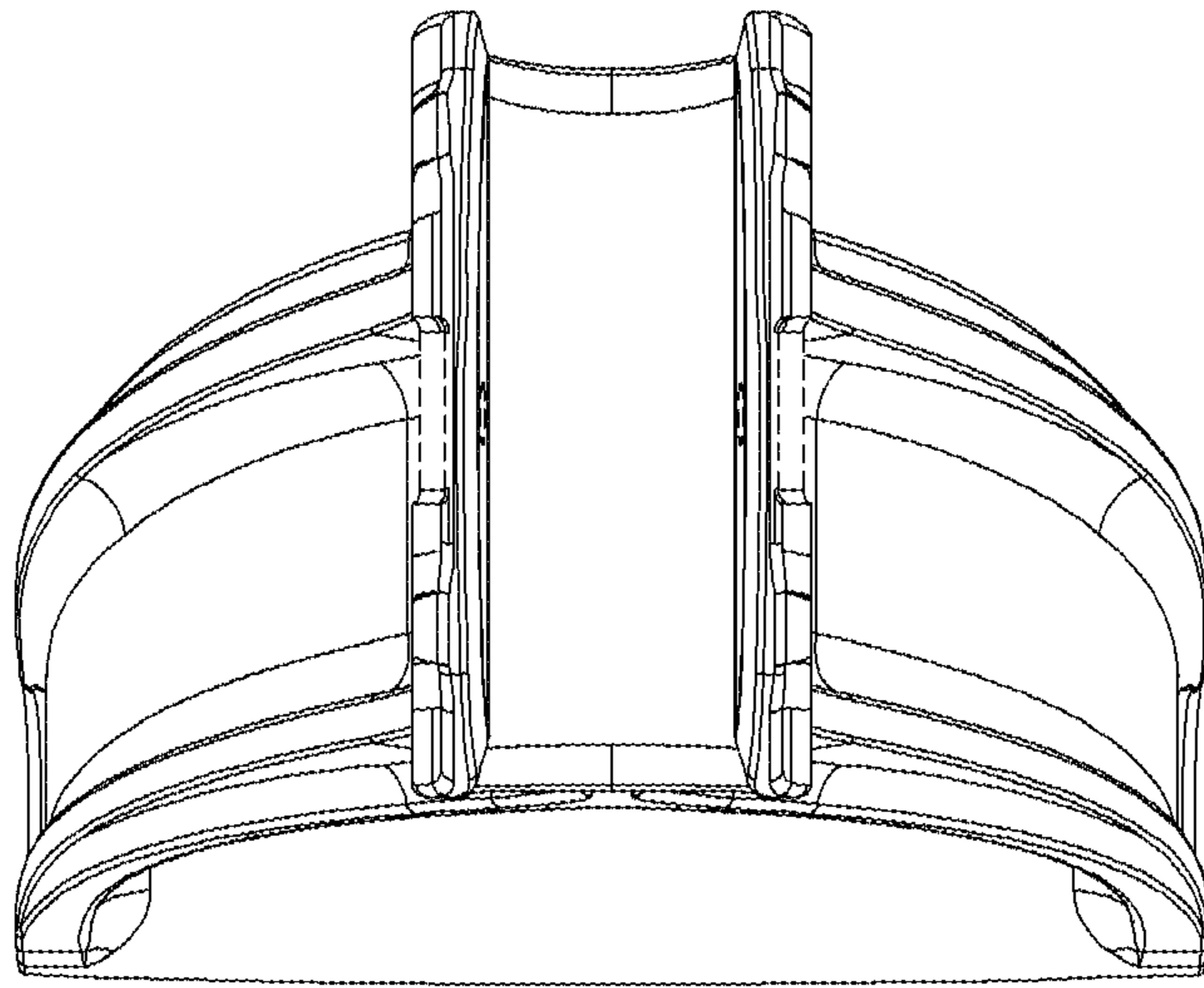


Figure 5

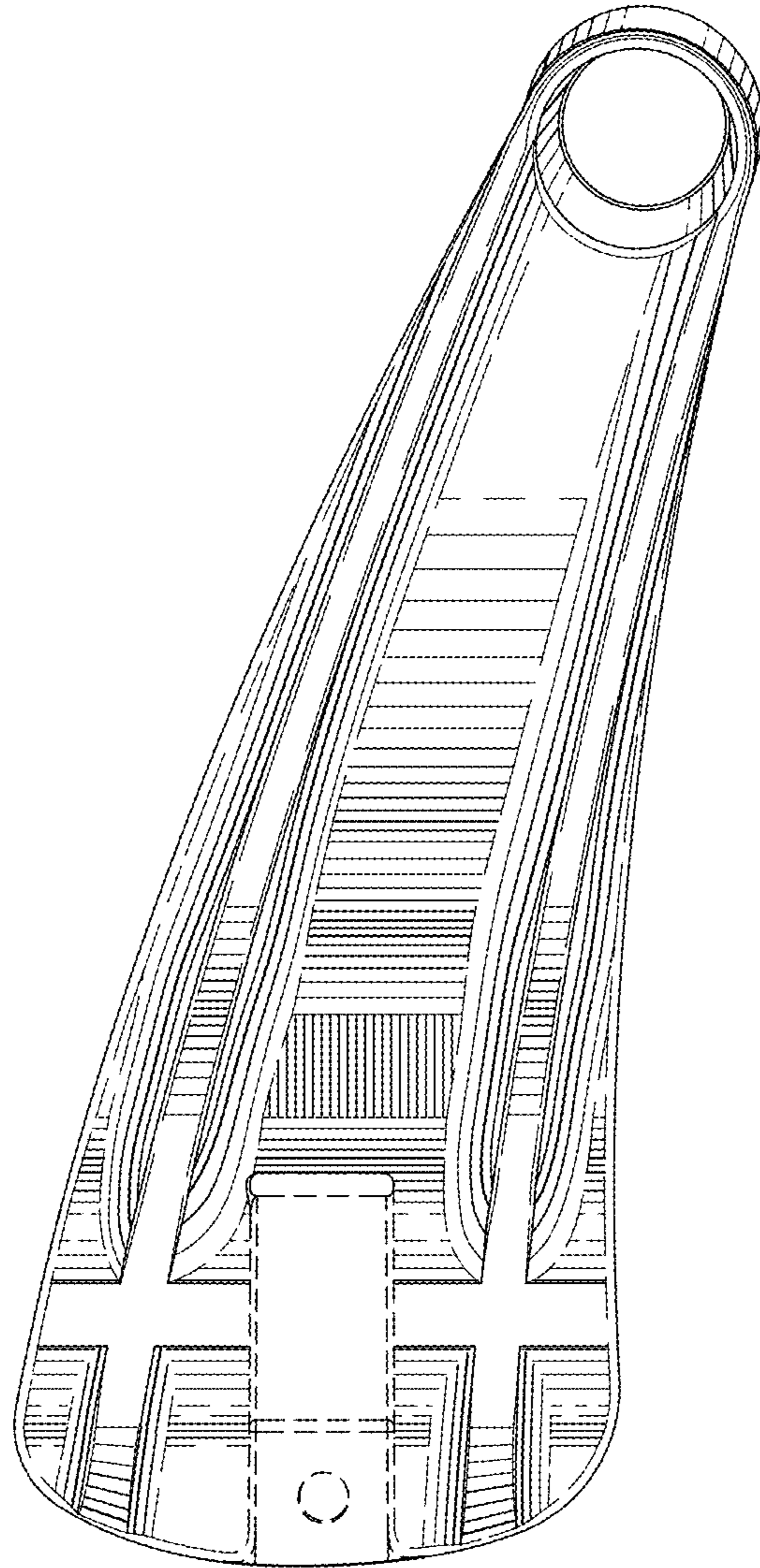


FIG. 6