



US00D771464S

(12) **United States Design Patent** (10) **Patent No.:** **US D771,464 S**
Loso (45) **Date of Patent:** **** Nov. 15, 2016**

(54) **TOOL HOLDER** 6,655,560 B2 12/2003 Kahn
6,880,794 B1 4/2005 Kahn
(71) Applicant: **Fred A. Loso**, Minneapolis, MN (US) 6,892,914 B2 5/2005 Girbert
6,994,238 B2 2/2006 Estabaya
(72) Inventor: **Fred A. Loso**, Minneapolis, MN (US) 7,047,601 B1 5/2006 Vernon-Woods
7,077,303 B2* 7/2006 Zega A45F 5/00
224/242
(**) Term: **14 Years** 7,175,061 B2 2/2007 Dohn
D565,396 S * 4/2008 Wipf D8/367
(21) Appl. No.: **29/496,448** 7,489,111 B2 2/2009 Wise
8,070,027 B2 12/2011 Piatt, Sr. et al.
(22) Filed: **Jul. 14, 2014** D681,414 S * 5/2013 Tatic D8/373
8,490,845 B2* 7/2013 Stewart B25H 3/006
224/197

Related U.S. Application Data

(63) Continuation-in-part of application No. 13/955,850, filed on Jul. 31, 2013.

(51) **LOC (10) Cl.** **08-05**

(52) **U.S. Cl.**
USPC **D8/71**

(58) **Field of Classification Search**
USPC D8/71, 354, 355, 356, 367, 370, 373,
D8/377, 380, 394; D6/326, 547, 548, 552,
D6/553, 554, 555, 566, 567; 211/60.1, 65,
211/66, 70.6, 87.01, 106, 119; 248/110,
248/309.1, 302; 206/349, 361
CPC A45F 2005/025; B25H 1/10
See application file for complete search history.

9,126,328 B2* 9/2015 Brandeis A45F 5/02
2003/0160075 A1* 8/2003 Musarella A45F 5/02
224/269

* cited by examiner

Primary Examiner — Lakiya Rogers
Assistant Examiner — Harold Blackwell, II
(74) *Attorney, Agent, or Firm* — Haugen Law Firm PLLP

(57) **CLAIM**
The ornamental design for a tool holder, as shown and described.

DESCRIPTION

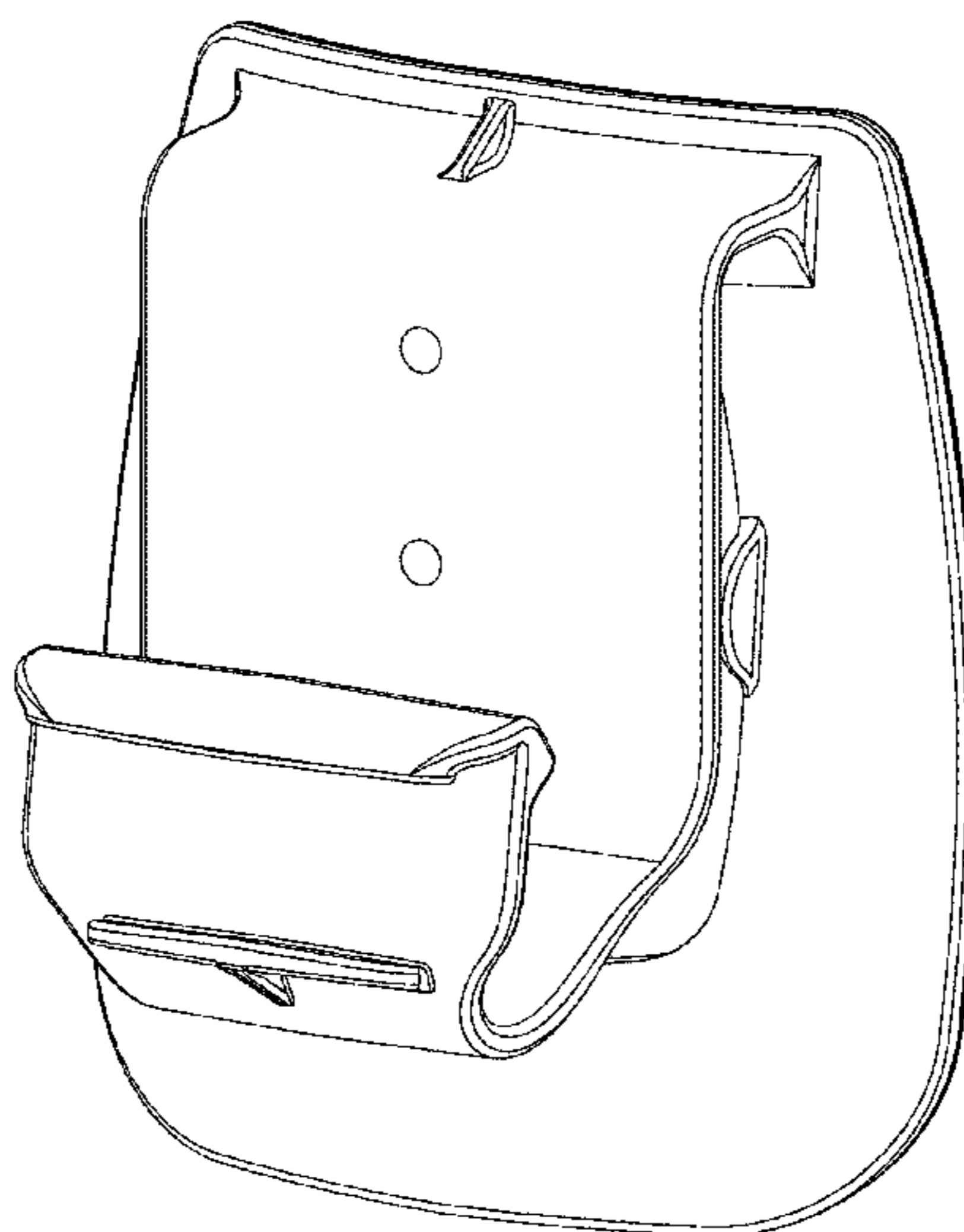
FIG. 1 is a front, right, perspective view of the tool holder of the present invention;
FIG. 2 is a front view of the tool holder shown in FIG. 1;
FIG. 3 is a back view of the tool holder shown in FIG. 1;
FIG. 4 is a right side view of the tool holder shown in FIG. 1;
FIG. 5 is a left side view of the tool holder shown in FIG. 1;
FIG. 6 is a top view of the tool holder shown in FIG. 1;
FIG. 7 is a bottom view of the tool holder shown in FIG. 1;
and,
FIG. 8 is a back, left perspective view of the tool holder shown in FIG. 1.

1 Claim, 8 Drawing Sheets

(56) **References Cited**

U.S. PATENT DOCUMENTS

5,195,667 A * 3/1993 Gallant A45F 5/02
224/197
5,201,447 A 4/1993 Bumb et al.
5,501,382 A 3/1996 Webb
5,620,121 A 4/1997 Watson
5,673,830 A * 10/1997 Matthews A45F 5/02
224/251
5,687,892 A 11/1997 Johns
6,000,669 A 12/1999 Seward et al.
6,062,449 A 5/2000 Kahn
6,065,658 A 5/2000 Hashimoto
6,315,179 B1 11/2001 Hillis
6,561,402 B2 5/2003 Holland et al.



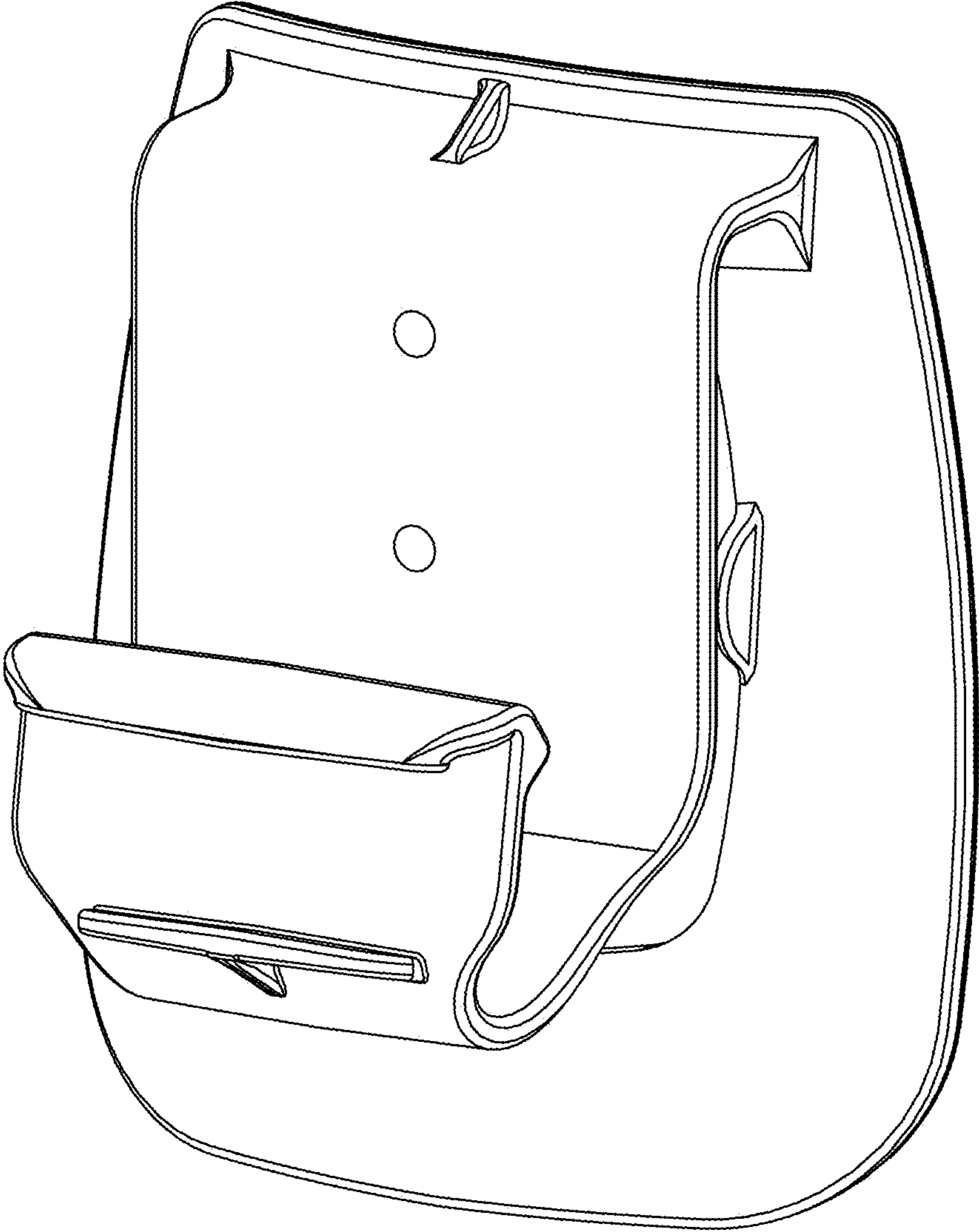


FIG. 1

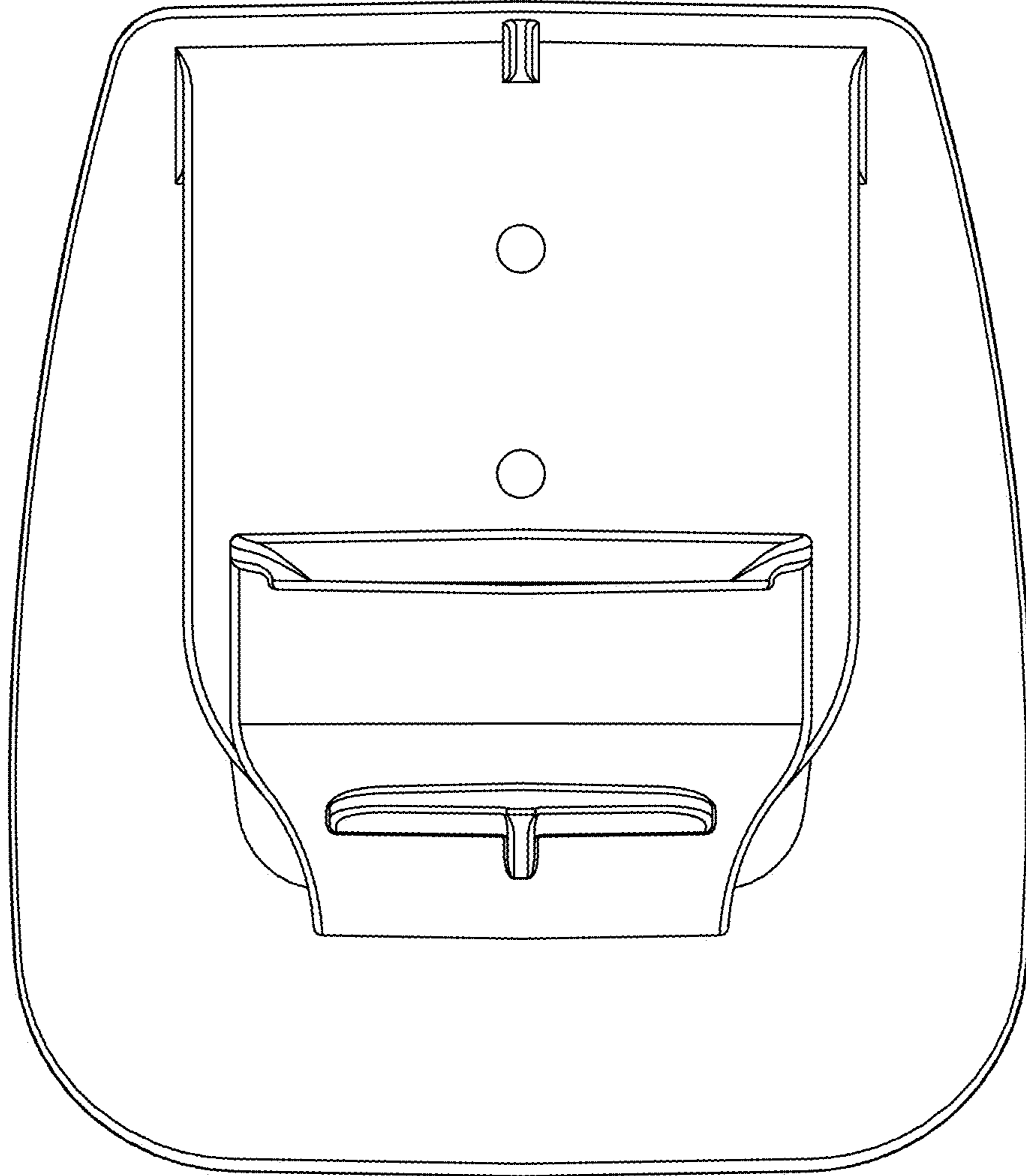


FIG. 2

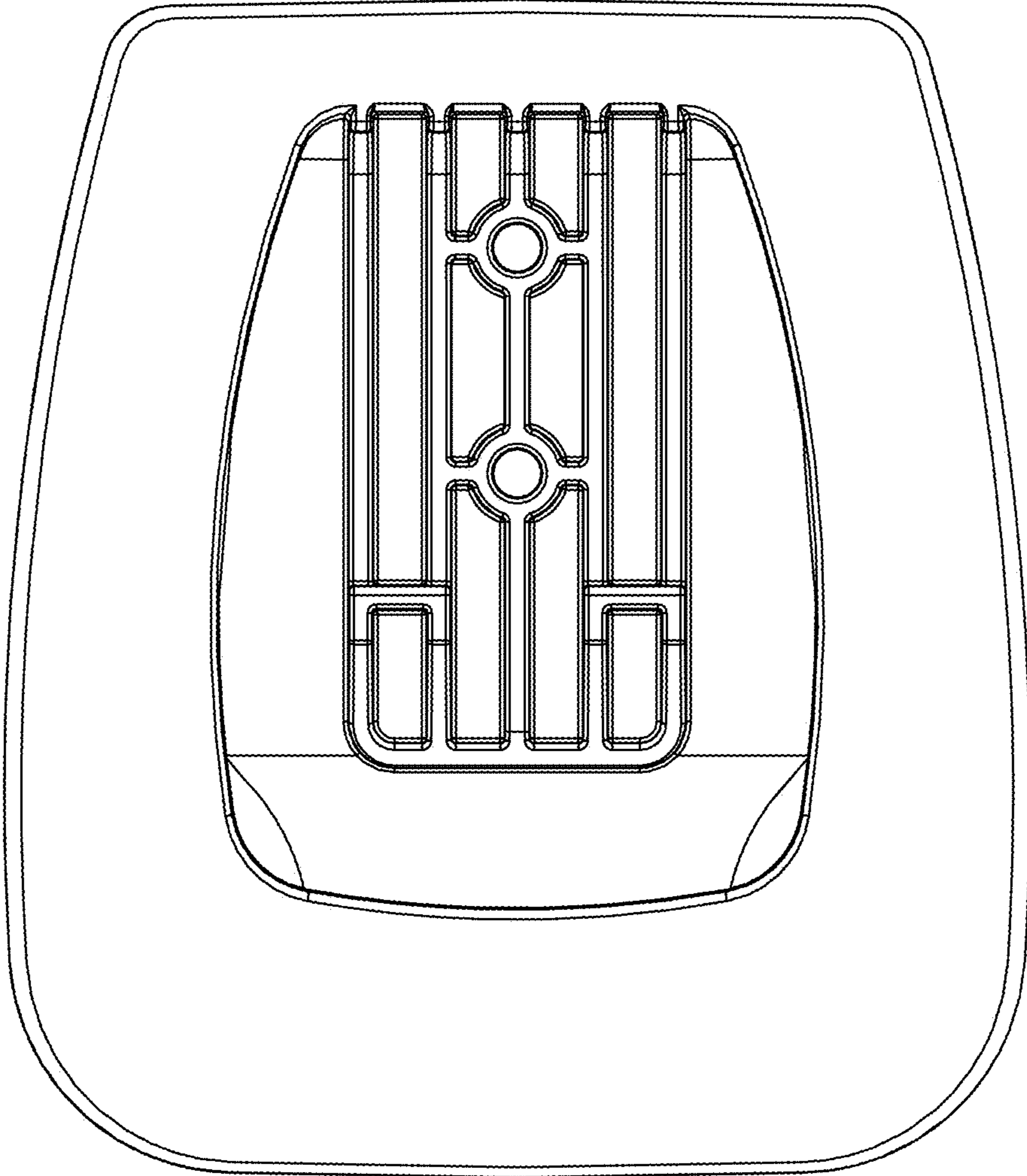


FIG. 3

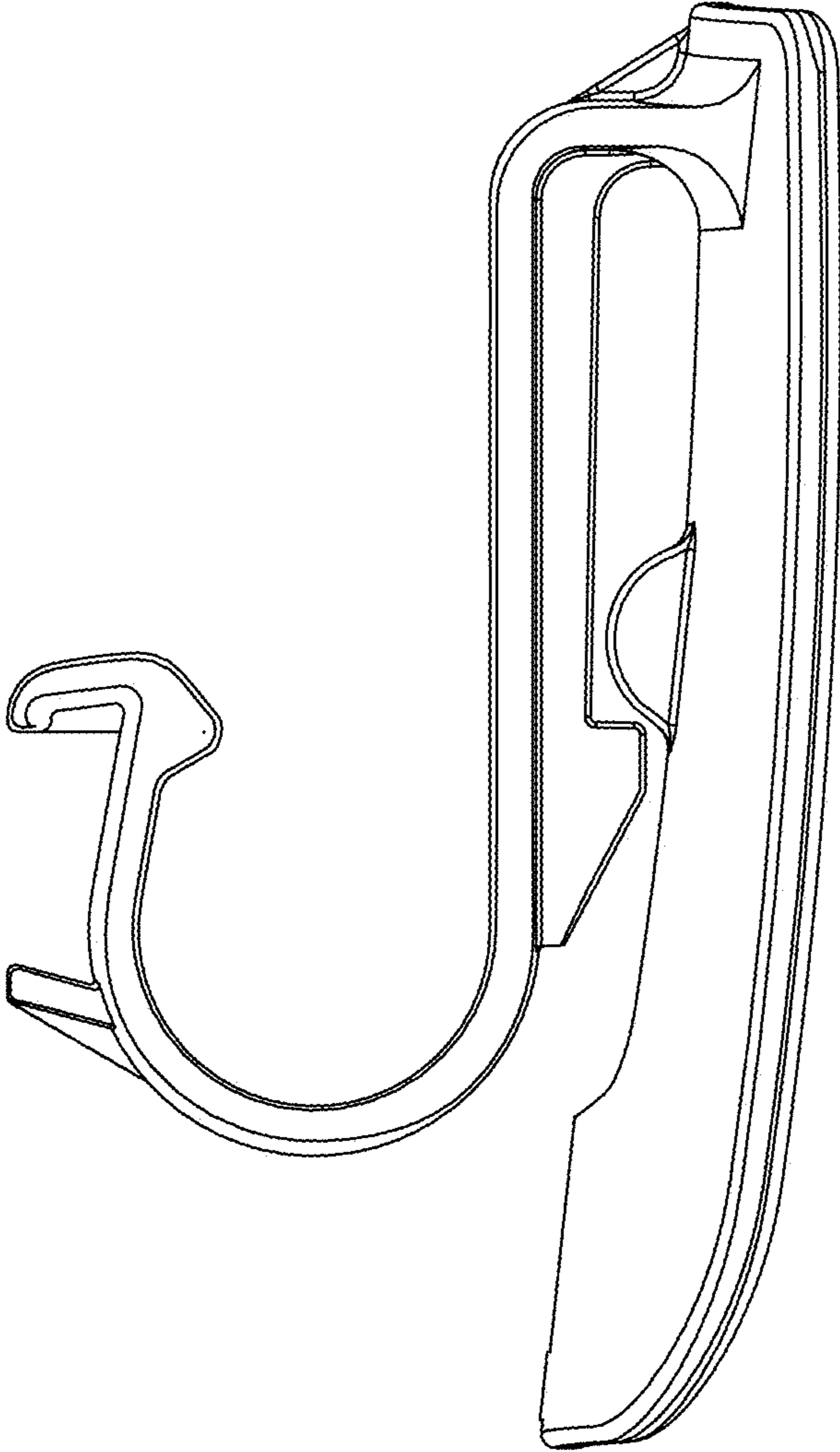


FIG. 4

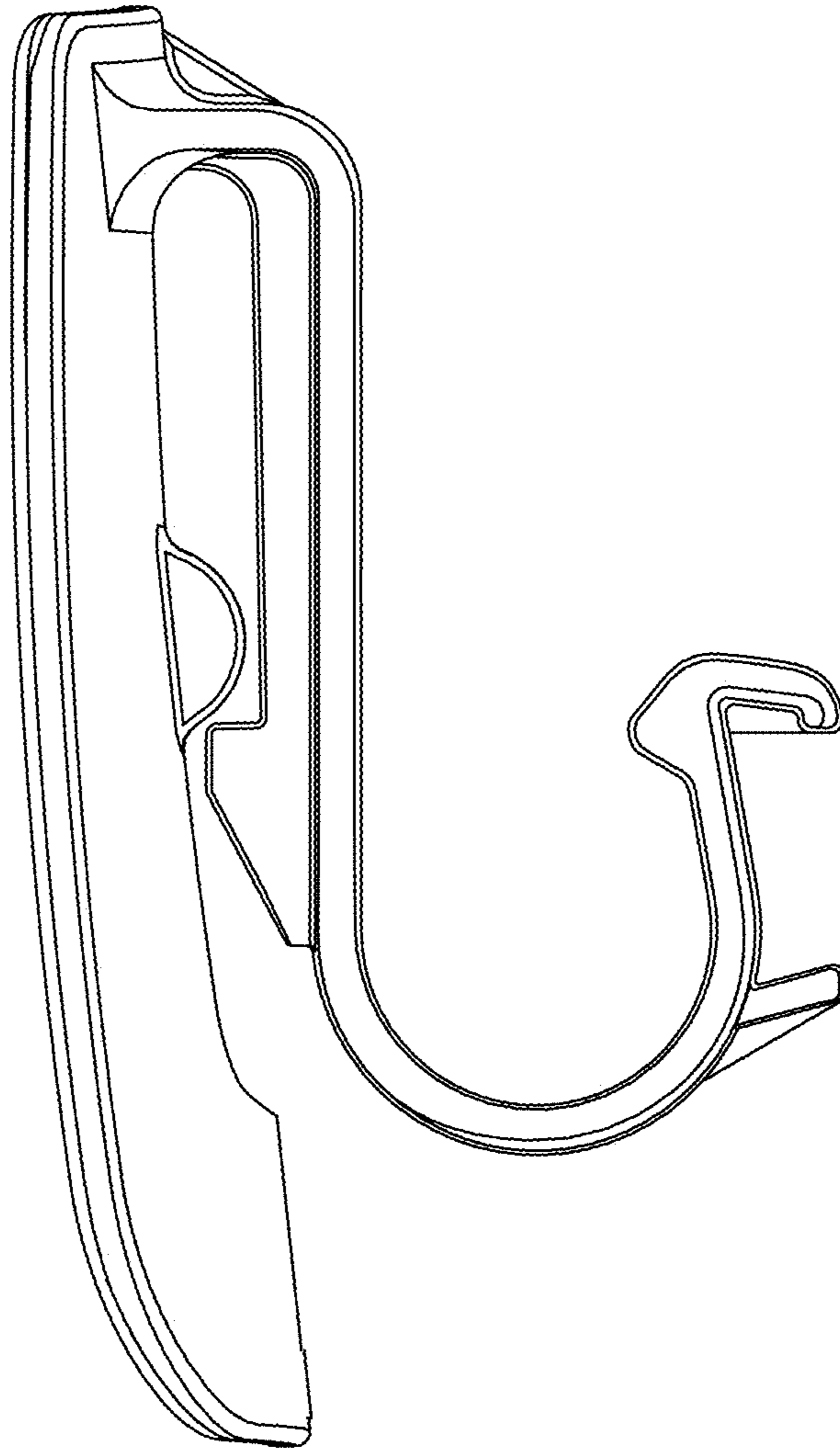


FIG. 5

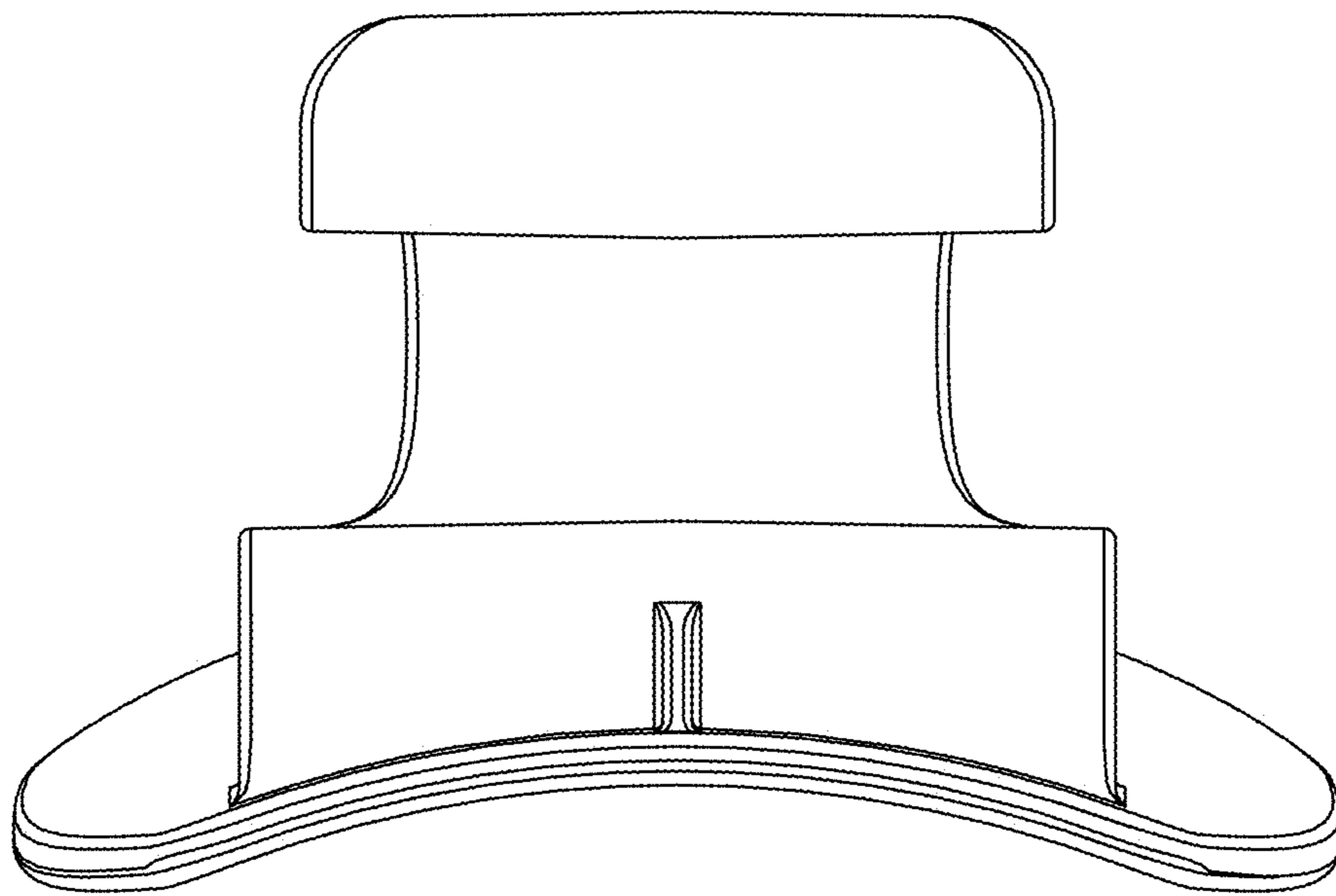


FIG. 6

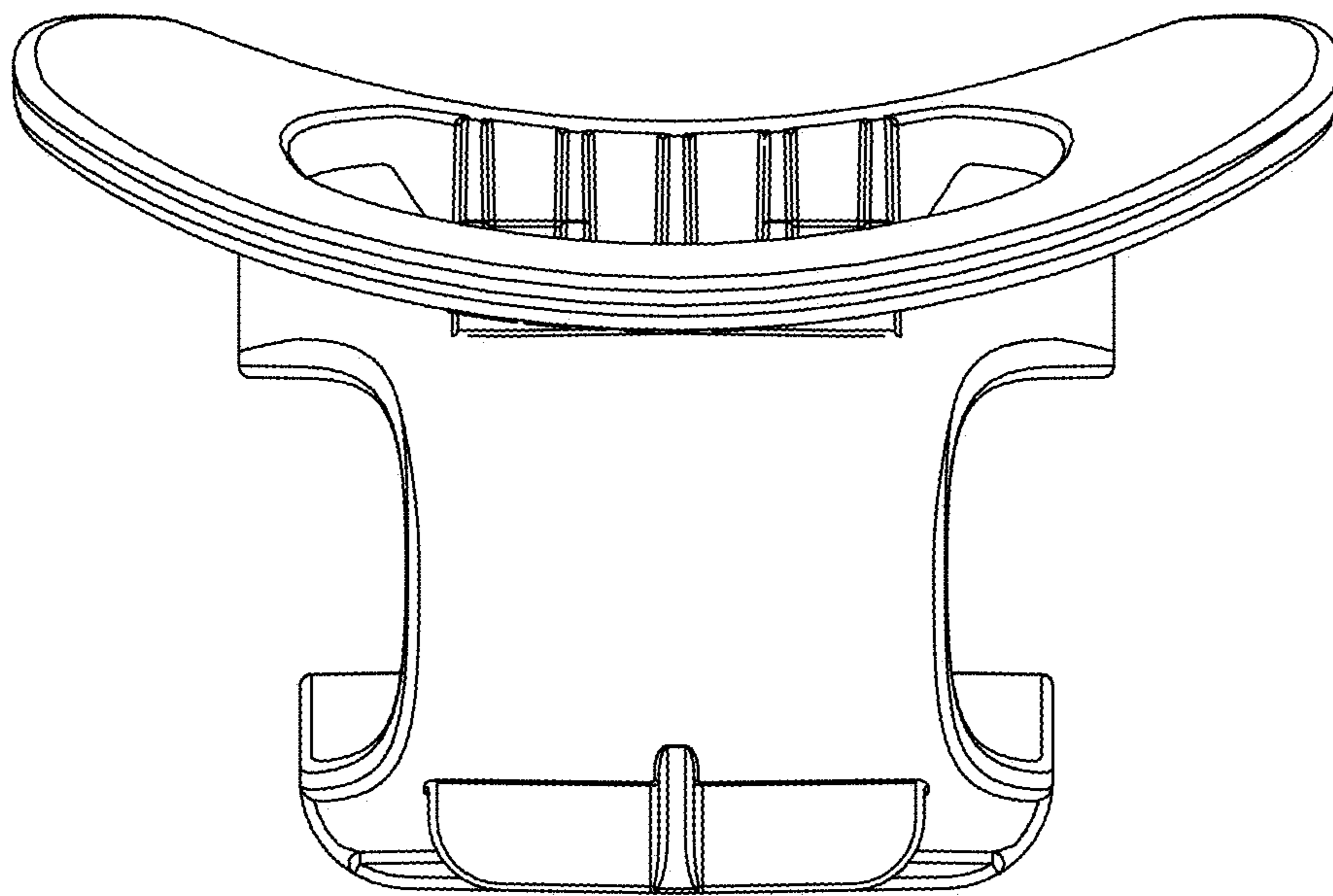


FIG. 7

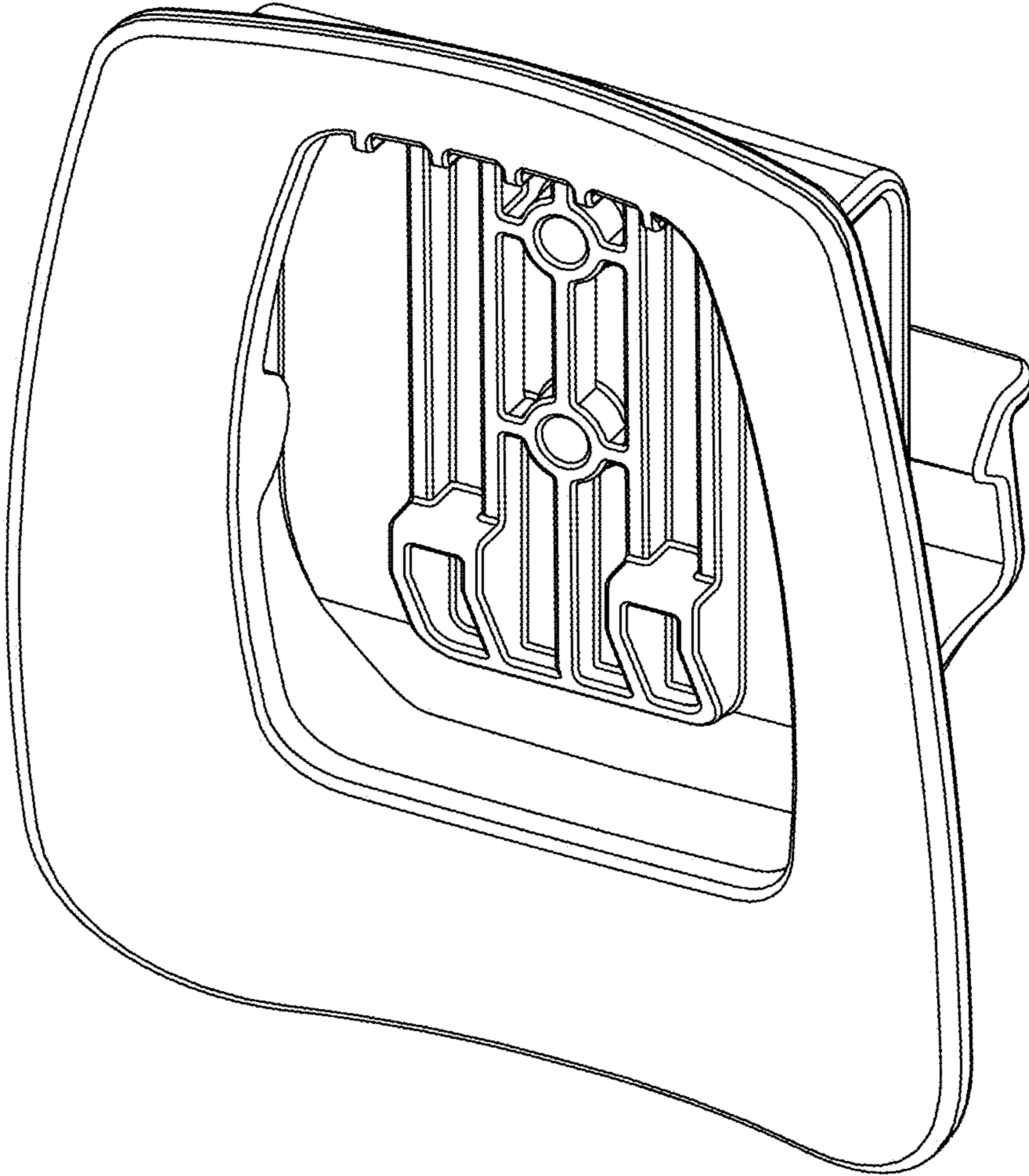


FIG. 8