



US00D771460S

(12) **United States Design Patent**
Steiner et al.

(10) **Patent No.:** **US D771,460 S**

(45) **Date of Patent:** **** Nov. 15, 2016**

(54) **TOOL**

(71) Applicant: **Rostra Tool Company**, Branford, CT (US)

(72) Inventors: **Richard A. Steiner**, East Haddam, CT (US); **Joseph Krzyzanski**, New Haven, CT (US)

(73) Assignee: **OETIKER TOOL CORPORATION**, Branford, CT (US)

(**) Term: **14 Years**

(21) Appl. No.: **29/504,758**

(22) Filed: **Oct. 9, 2014**

(51) **LOC (10) Cl.** **08-05**

(52) **U.S. Cl.**
USPC **D8/55; D8/56**

(58) **Field of Classification Search**
USPC D8/51-52, 55-57, 75, 77, 81-87,
D8/98-99, 2, 354, 356, 358, 360.1
CPC B25B 27/10; H01R 43/042; H01R 43/0421;
H01R 43/015
See application file for complete search history.

(56) **References Cited**

U.S. PATENT DOCUMENTS

2,774,269	A *	12/1956	Klingler	H01R 43/042 140/117
3,947,905	A *	4/1976	Neff	B25B 7/22 7/107
4,337,542	A *	7/1982	Theiler, Sr.	B25B 7/22 140/106
4,677,702	A *	7/1987	Cairns	H02G 1/1214 30/90.1

D422,861	S *	4/2000	Hollinger	D8/41
6,526,661	B1 *	3/2003	Shutts	H02G 1/1295 30/90.1
6,684,439	B2 *	2/2004	Jeske	H02G 1/1214 7/107
7,216,431	B2 *	5/2007	Holliday	H02G 1/1224 30/250
D613,137	S *	4/2010	Wieberdink	D8/14
D646,537	S *	10/2011	Kidd	D8/56
8,087,115	B2 *	1/2012	Barber	B25F 1/04 7/158
D685,239	S *	7/2013	Steiner	D8/56
D719,006	S *	12/2014	Steiner	D8/105
8,904,647	B2 *	12/2014	Steiner	H02G 1/1224 30/337
D750,947	S *	3/2016	Steiner	D8/51
9,327,391	B2 *	5/2016	Steiner	B25B 27/10

* cited by examiner

Primary Examiner — Deanna L Pratt

(74) *Attorney, Agent, or Firm* — Cantor Colburn LLP

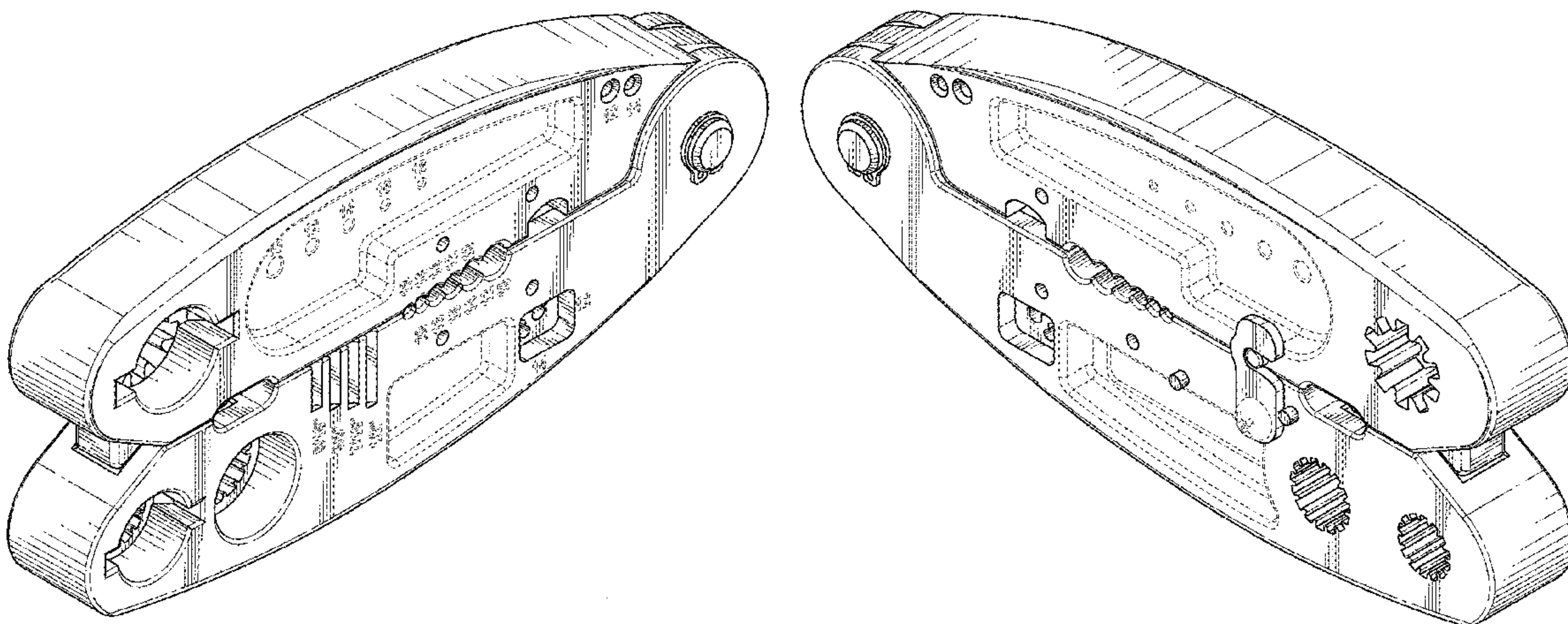
(57) **CLAIM**

We claim, the ornamental design for a tool, as shown and described.

DESCRIPTION

FIG. 1 is a perspective view of the invention; FIG. 2 is a top view of the design of FIG. 1; FIG. 3 is a bottom view of the design of FIG. 1; FIG. 4 is a first end view of the design of FIG. 1; FIG. 5 is a second end view of the design of FIG. 1; FIG. 6 is a first side view of the design of FIG. 1; FIG. 7 is a second side view of the design of FIG. 1; and, FIG. 8 is a reverse perspective view of the design of FIG. 1. The broken lines in the drawings illustrate portions of the tool that form no part of the claimed design.

1 Claim, 6 Drawing Sheets



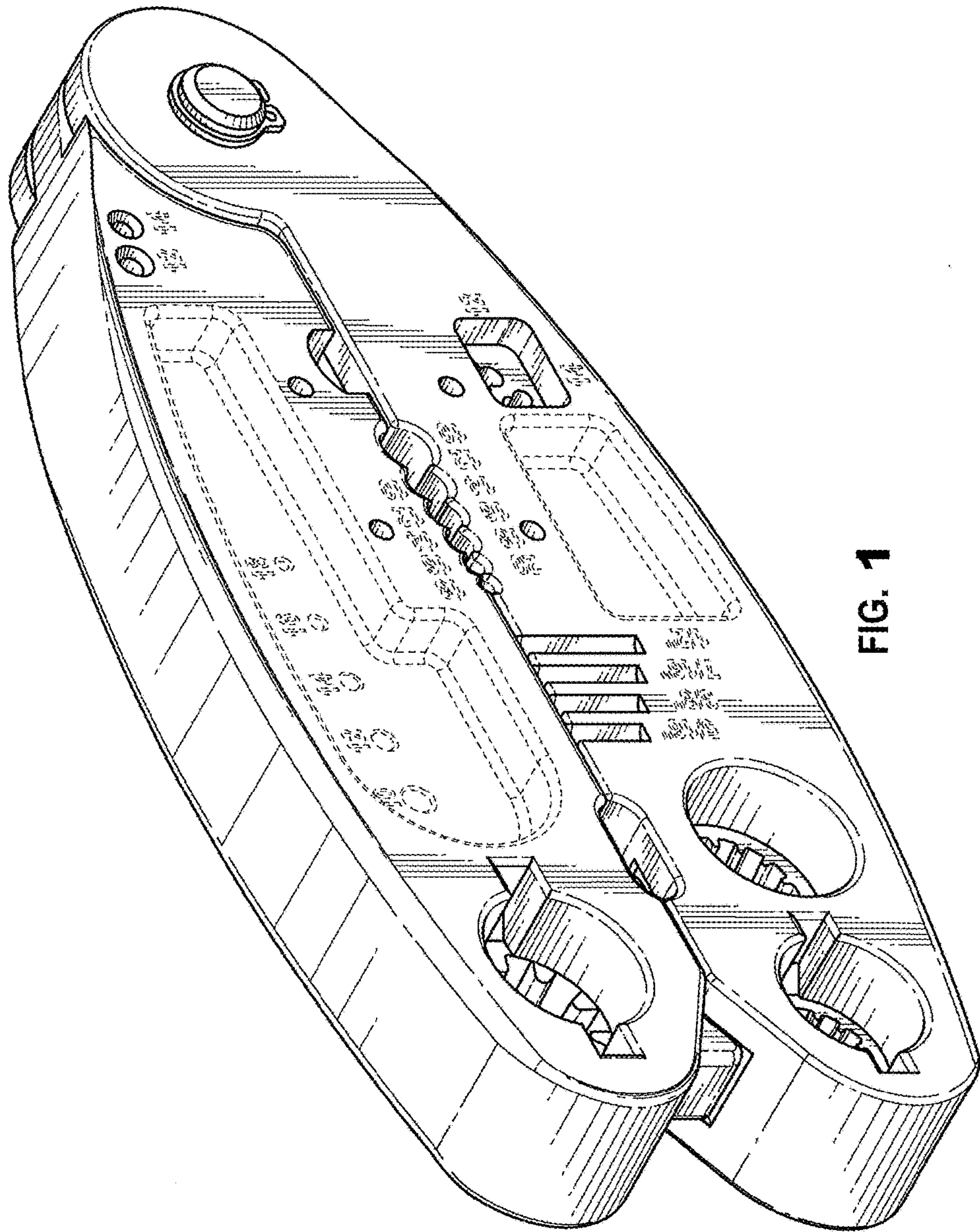


FIG. 1

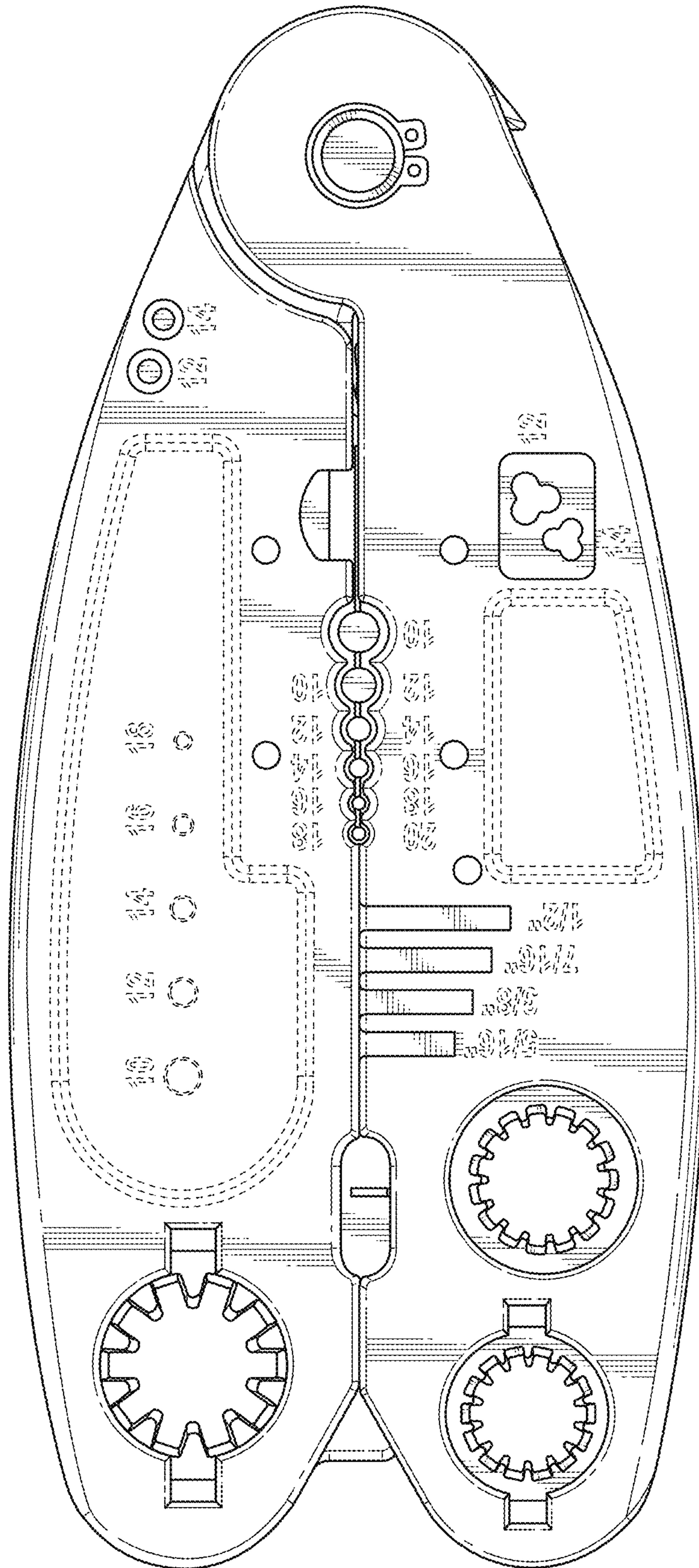


FIG. 2

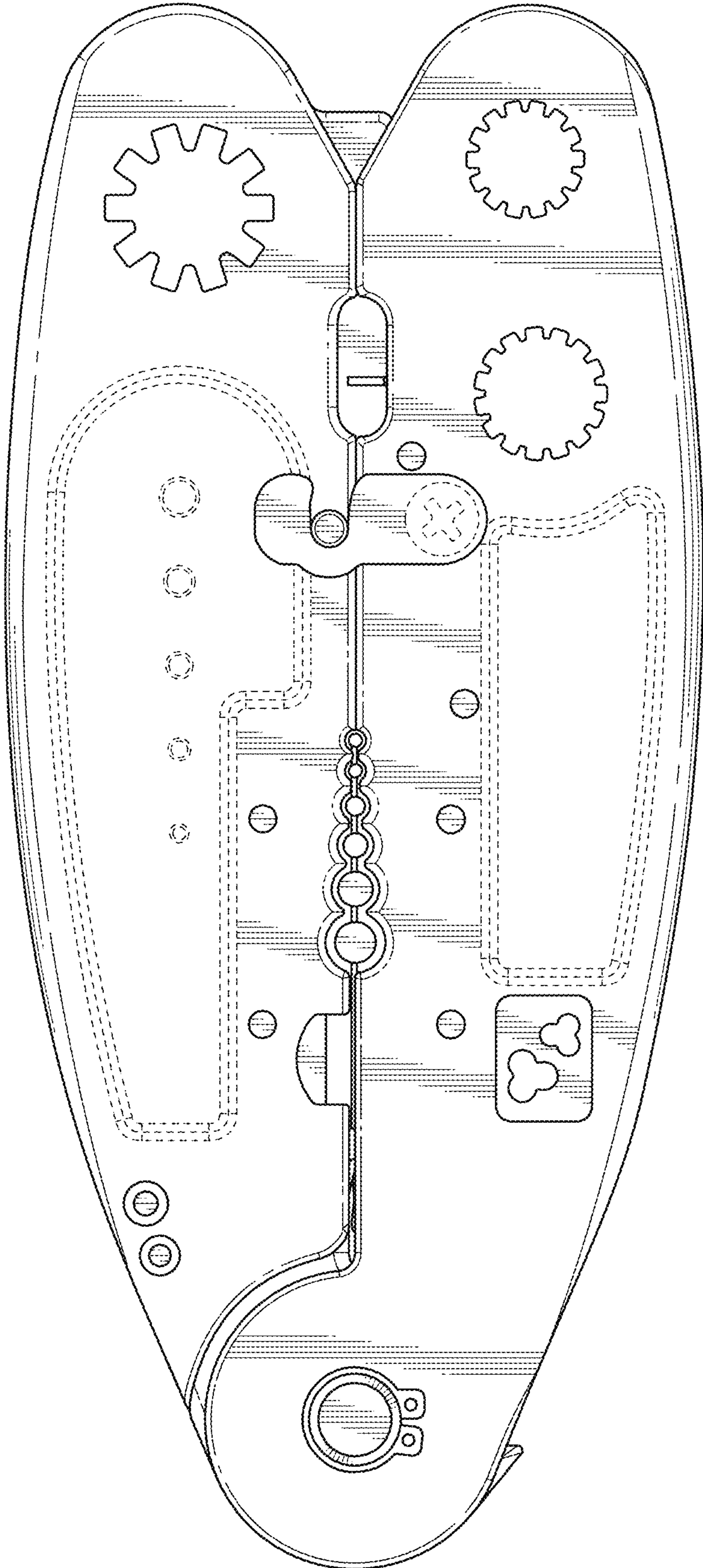


FIG. 3

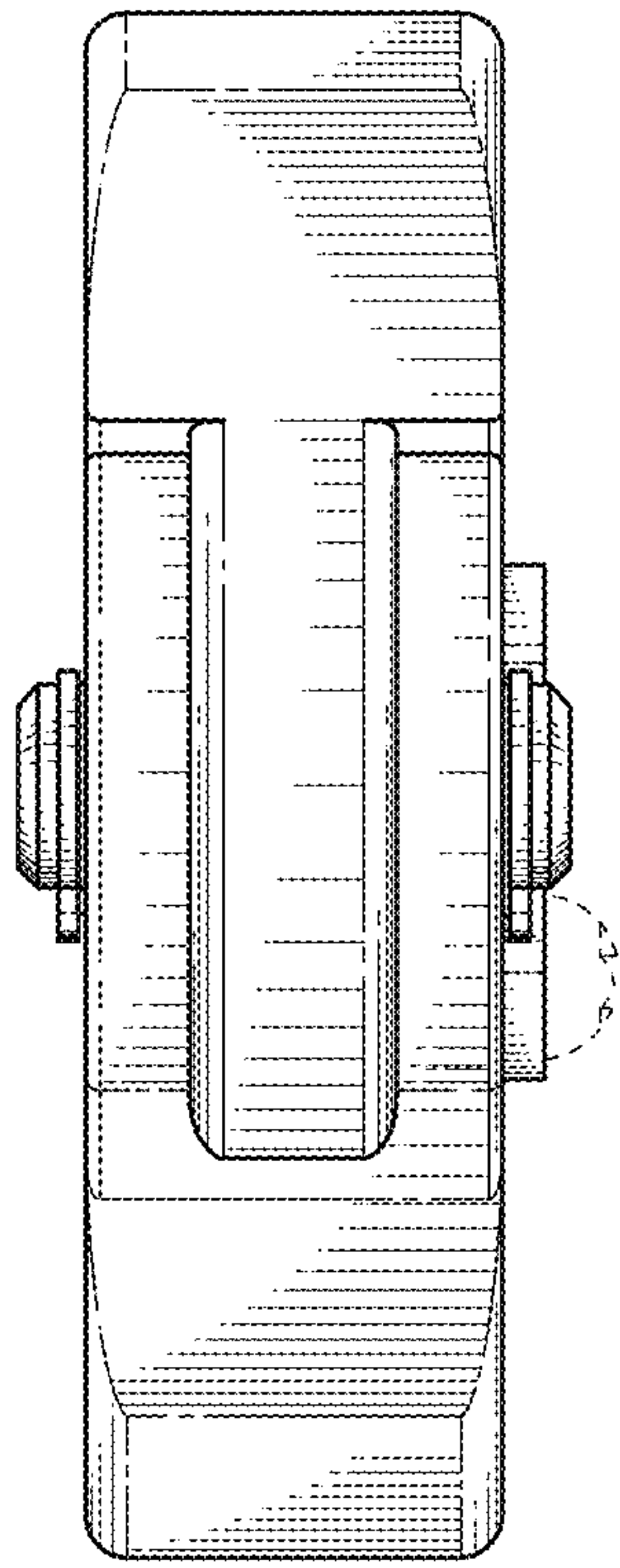


FIG. 4

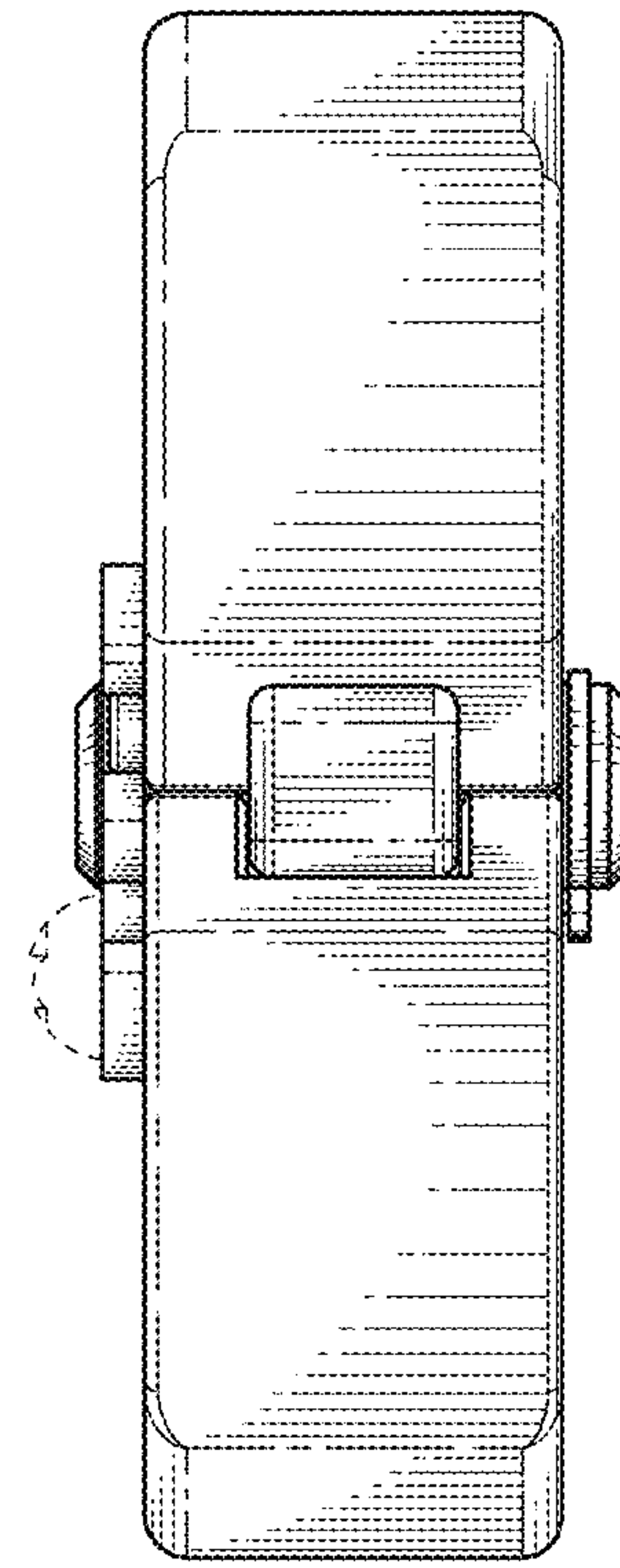


FIG. 5

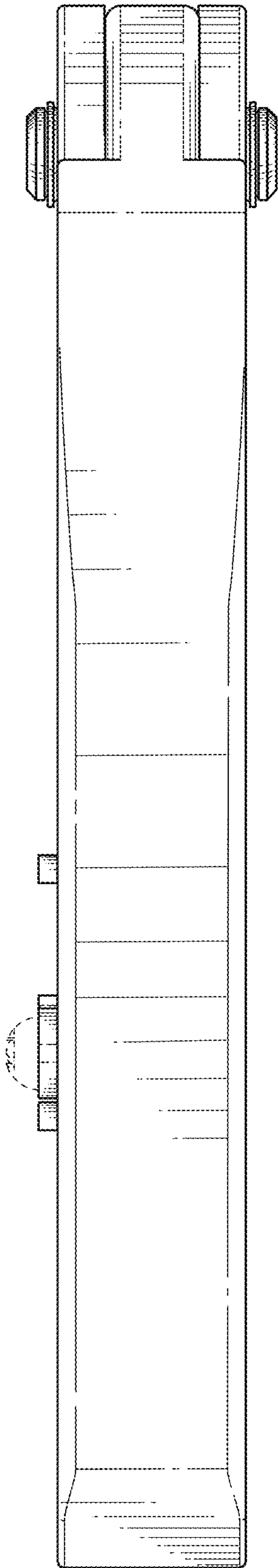


FIG. 6

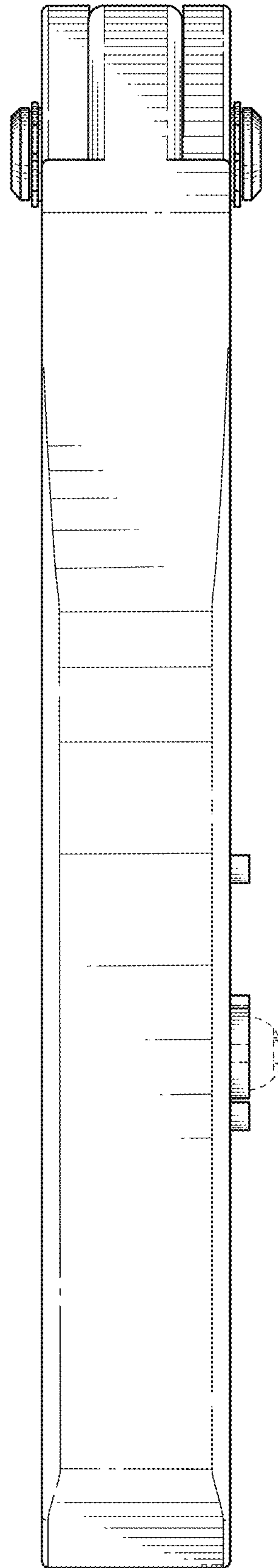


FIG. 7

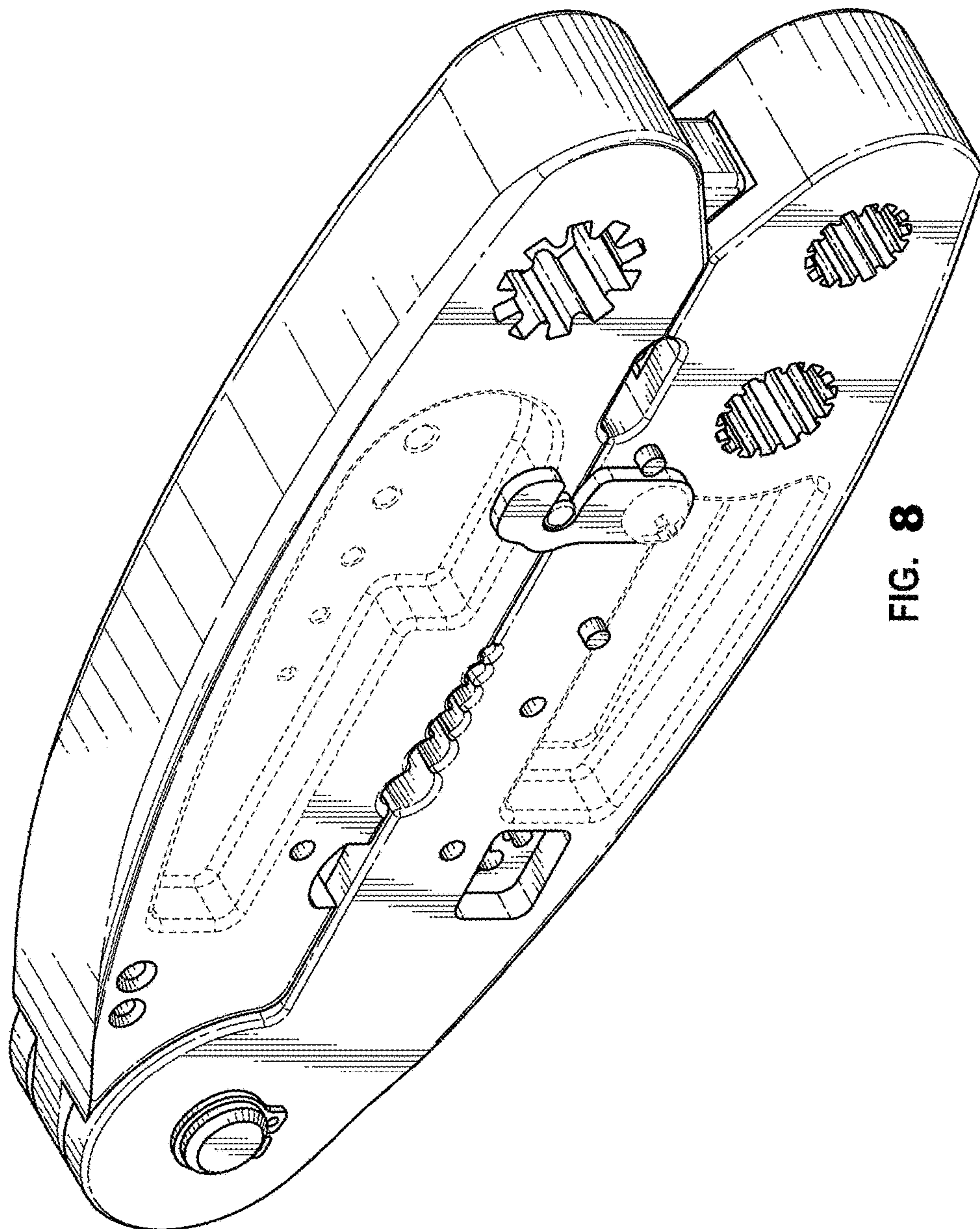


FIG. 8