



US00D771457S

(12) **United States Design Patent** (10) **Patent No.:** **US D771,457 S**
Guardia (45) **Date of Patent:** **** Nov. 15, 2016**

- (54) **CERAMIC FLOOR CUTTER**
- (71) Applicant: **Cortag Industria e Comercio Ltda,**
Mogi Mirim (BR)
- (72) Inventor: **Carlos Manoel Guardia,** Mogi Mirim
(BR)
- (73) Assignee: **Cortag Industria e Comercio Ltda,**
Morgi Mirim (BR)
- (**) Term: **15 Years**
- (21) Appl. No.: **29/537,310**
- (22) Filed: **Aug. 25, 2015**
- (30) **Foreign Application Priority Data**
Feb. 27, 2015 (BR) 3020150008989
- (51) **LOC (10) Cl.** **08-05**
- (52) **U.S. Cl.**
USPC **D8/51; D15/127**
- (58) **Field of Classification Search**
USPC D8/51, 98; D15/127
CPC B23D 1/225; Y10T 225/325; Y10T
83/0385; Y10T 83/3648; C03B 33/10
See application file for complete search history.

- (56) **References Cited**
U.S. PATENT DOCUMENTS
D291,578 S * 8/1987 Hepworth D15/127
D331,762 S * 12/1992 Matt D15/127
5,169,045 A * 12/1992 Liu B28D 1/225
125/23.02
D359,435 S * 6/1995 Joecker, Jr. D8/98
6,047,871 A * 4/2000 Chen B28D 1/225
125/23.02
6,053,159 A * 4/2000 Liu B28D 1/225
125/23.02
D424,585 S * 5/2000 Torrents Comas D15/127
6,148,810 A * 11/2000 Hepworth B28D 1/225
125/23.01
D434,782 S * 12/2000 Comas D15/127
6,164,272 A * 12/2000 Fouy B28D 1/225
125/12

- 6,223,736 B1 * 5/2001 Yasuga B28D 1/225
125/23.02
- 6,240,914 B1 * 6/2001 Yasuga B28D 1/225
125/23.02
- 6,269,994 B1 * 8/2001 Harrington B28D 1/225
125/23.02
- D476,213 S * 6/2003 Hepworth D15/127
- D533,426 S * 12/2006 Torrents Comas D15/127
- D536,945 S * 2/2007 Yang D15/127
- D541,127 S * 4/2007 Yang D8/51
- 7,434,576 B2 * 10/2008 Hwang B28D 1/225
125/23.02
- D597,568 S * 8/2009 I Comas D15/127
- D618,714 S * 6/2010 Comas D15/127
- D638,864 S * 5/2011 Comas D15/127
- 8,578,923 B2 * 11/2013 Ghelfi B28D 1/225
125/23.01
- D733,197 S * 6/2015 Ambrogiani D15/127
- D737,350 S * 8/2015 Gargallo D15/127
- D737,351 S * 8/2015 Gargallo D15/127
- D755,598 S * 5/2016 Gargallo D15/127
- D756,186 S * 5/2016 Sarmiento D15/127
- D756,736 S * 5/2016 Gargallo D15/127
- 2003/0029433 A1 * 2/2003 Hepworth B28D 1/225
125/23.02

(Continued)

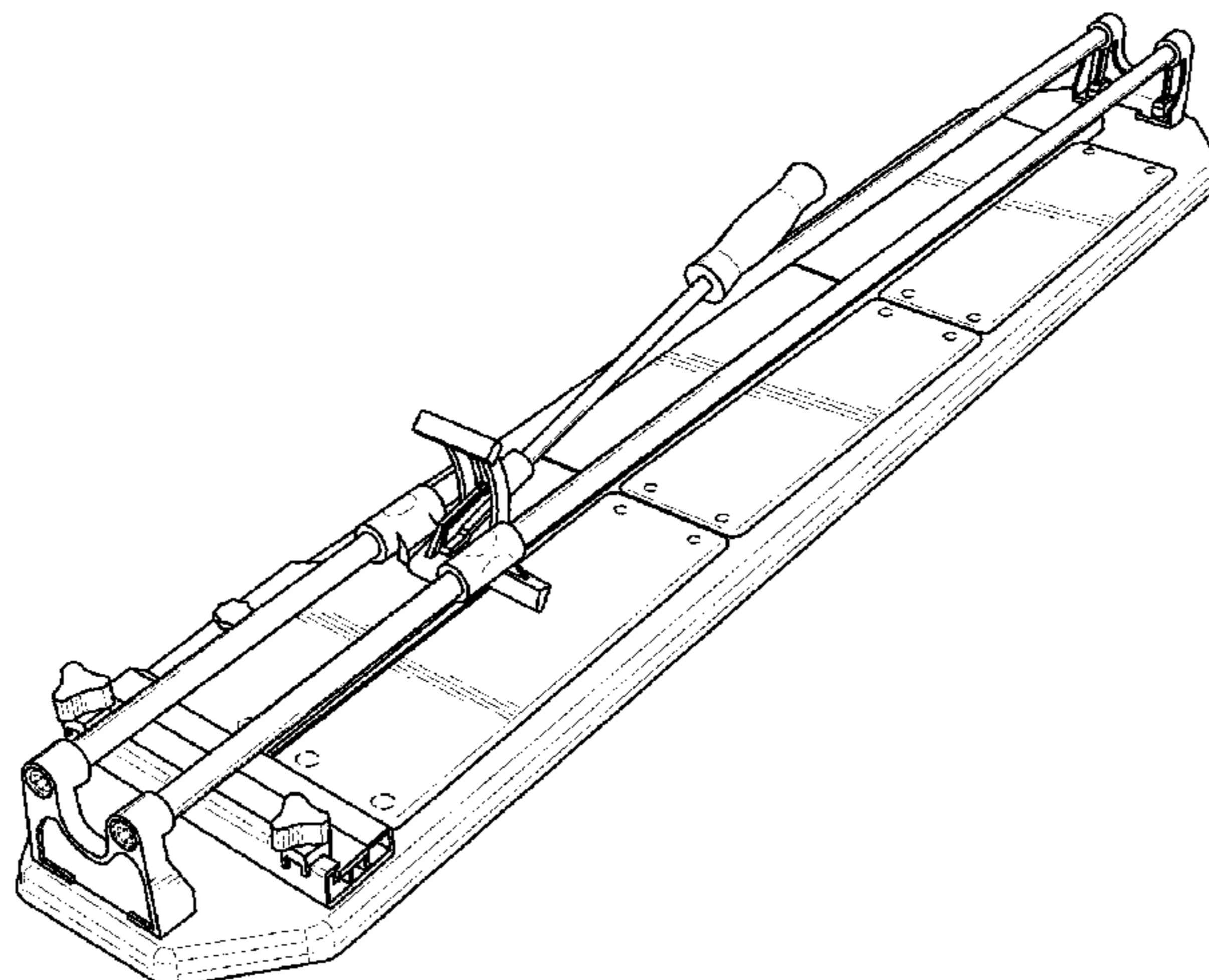
Primary Examiner — Deanna L Pratt
(74) *Attorney, Agent, or Firm* — Walker & Jocke; Ralph Jocke

(57) **CLAIM**
The ornamental design for a ceramic floor cutter, as shown and described.

DESCRIPTION

FIG. 1 is a back end view showing my new design for a ceramic floor cutter.
FIG. 2 is a front end view thereof.
FIG. 3 is a right side view thereof.
FIG. 4 is a left side view thereof.
FIG. 5 is a top plan view thereof.
FIG. 6 is a top right perspective view thereof.
FIG. 7 is a left front perspective view thereof.
FIG. 8 is a left top perspective view thereof.
FIG. 9 is a back right perspective view thereof; and,
FIG. 10 is a back left perspective view thereof.
The broken lines in the drawings illustrate portions of the ceramic floor cutter that form no part of the claimed design.

1 Claim, 5 Drawing Sheets



US D771,457 S

Page 2

(56)

References Cited

U.S. PATENT DOCUMENTS

2003/0047056	A1 *	3/2003	Torrents I Comas ..	B28D 1/225 83/886	2005/0016518	A1 *	1/2005	Ishii	B28D 1/225 125/23.02
2004/0025662	A1 *	2/2004	Torrents I Comas ..	B28D 1/225 83/886	2009/0044681	A1 *	2/2009	Torrents I Comas ..	B28D 1/225 83/886
					2009/0145416	A1 *	6/2009	Harding	B28D 1/225 125/23.02

* cited by examiner

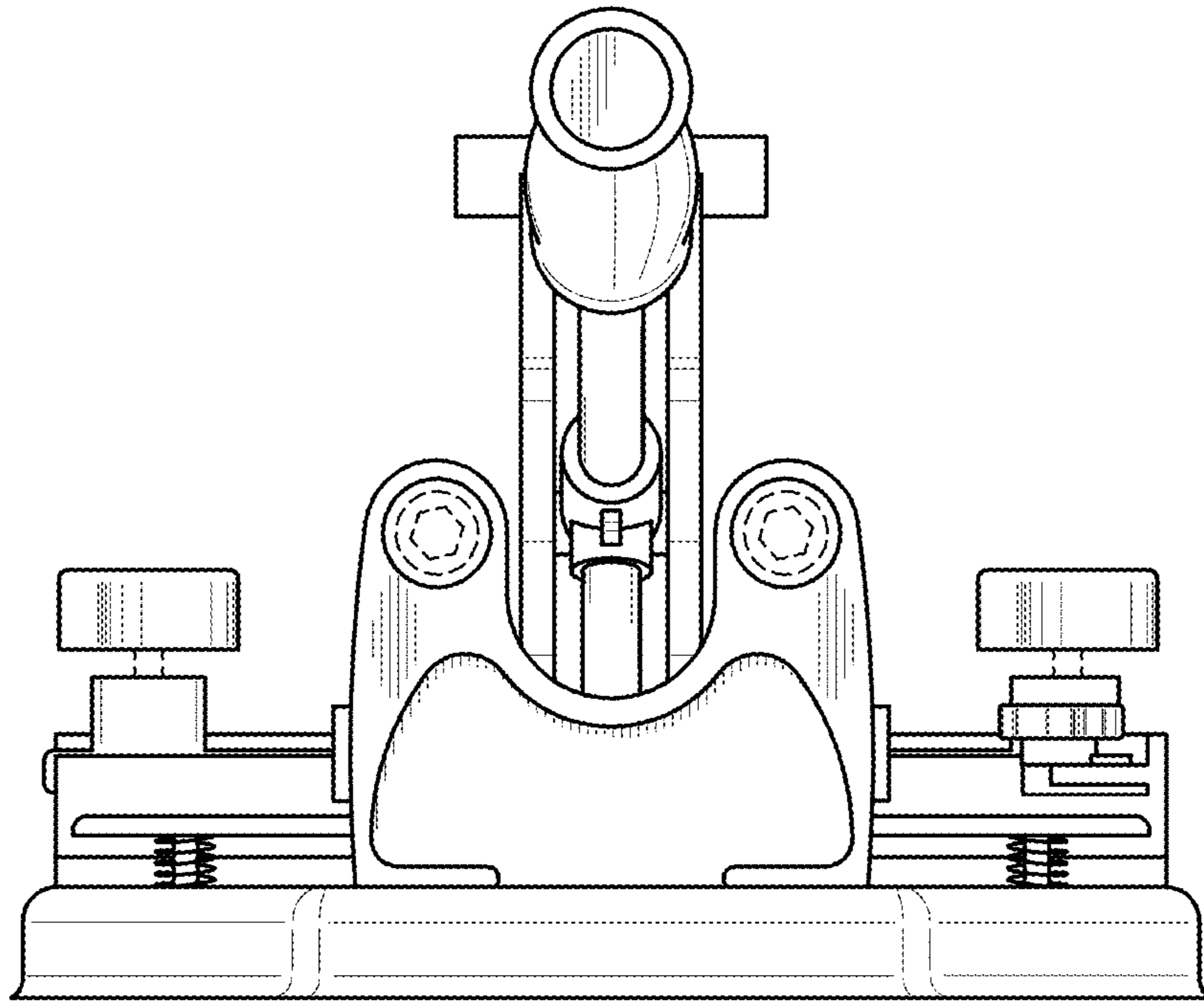


FIG. 1

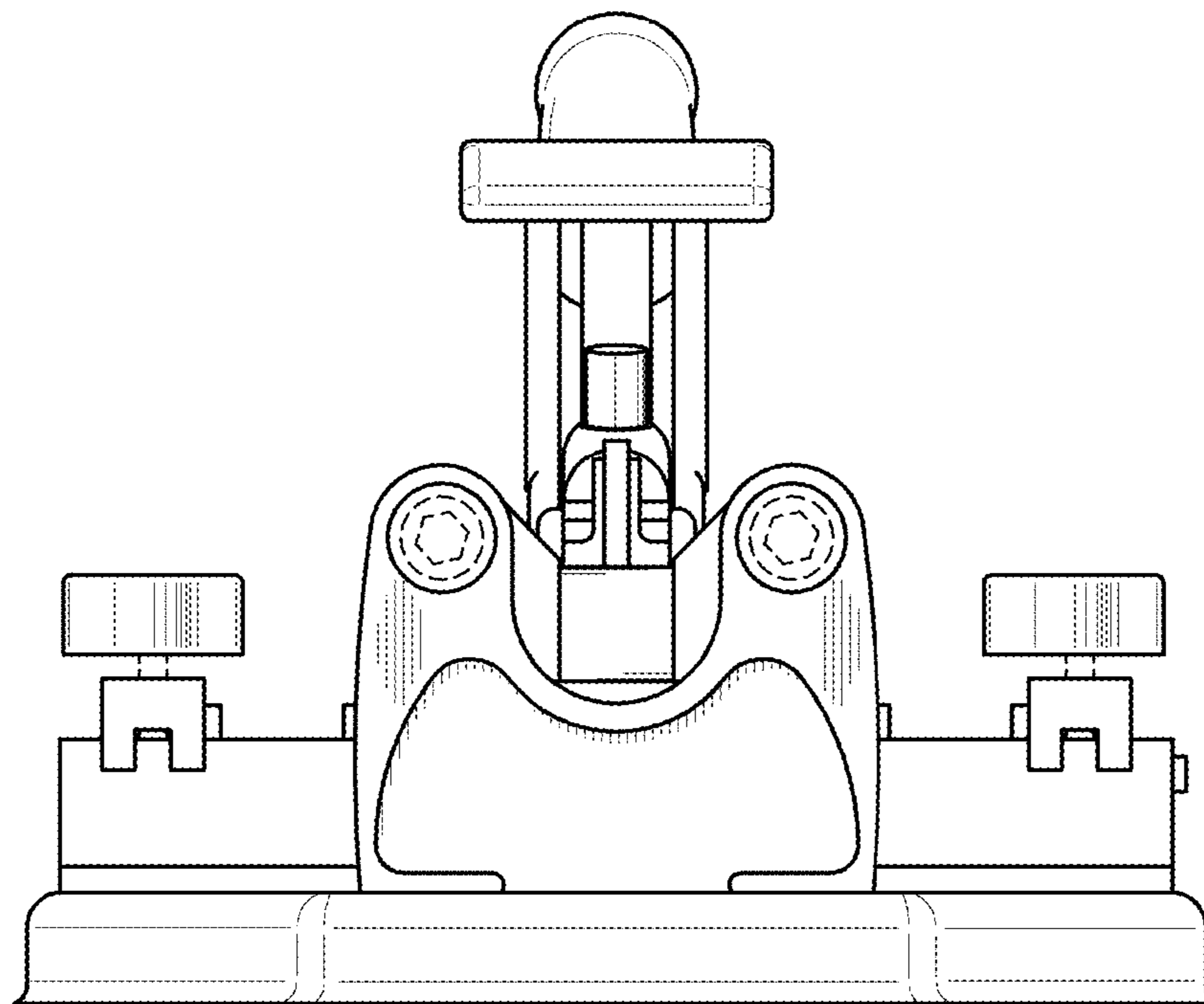


FIG. 2

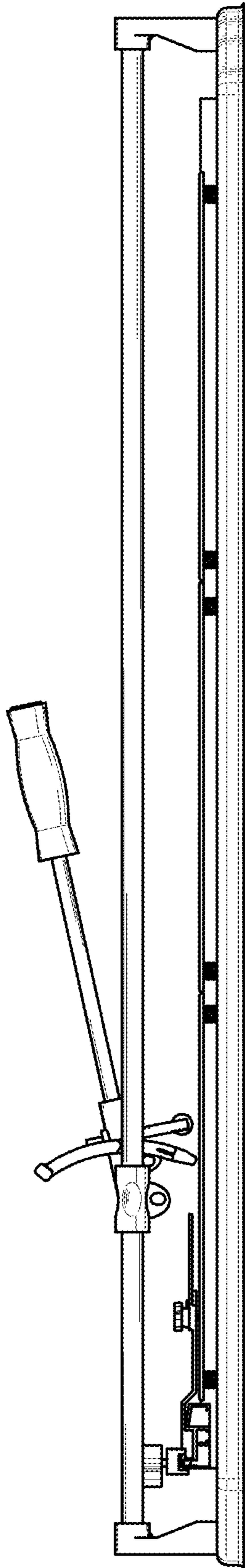


FIG. 3

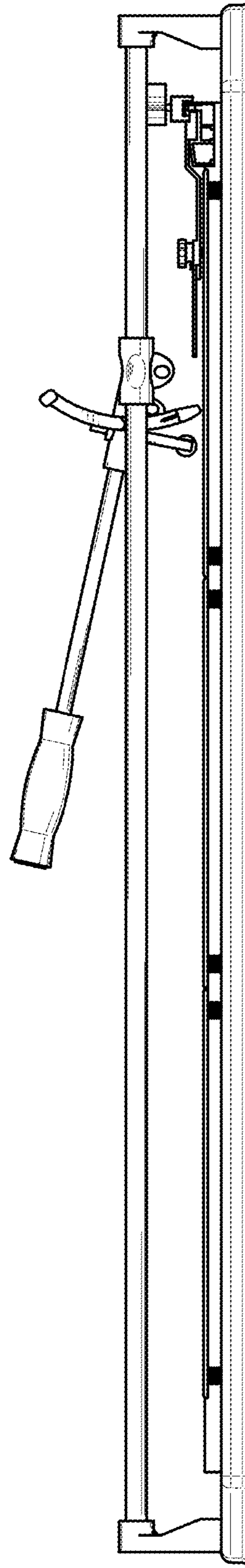


FIG. 4

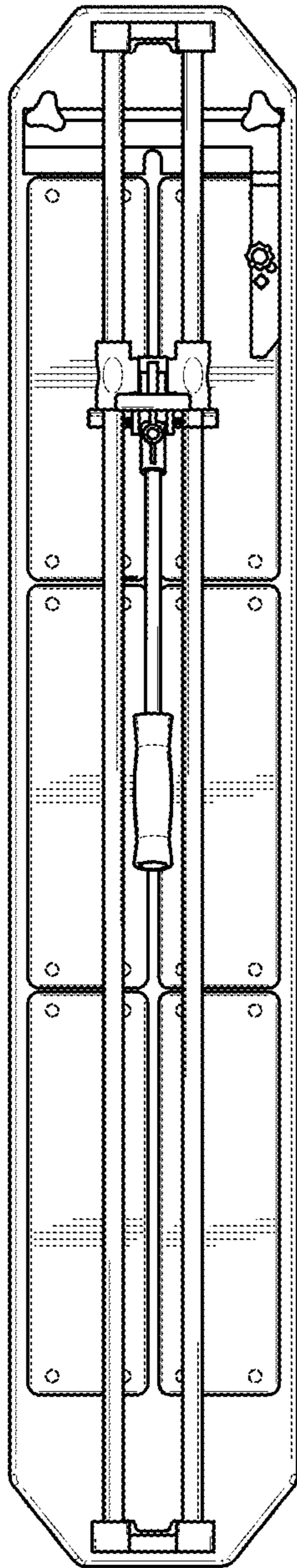


FIG. 5

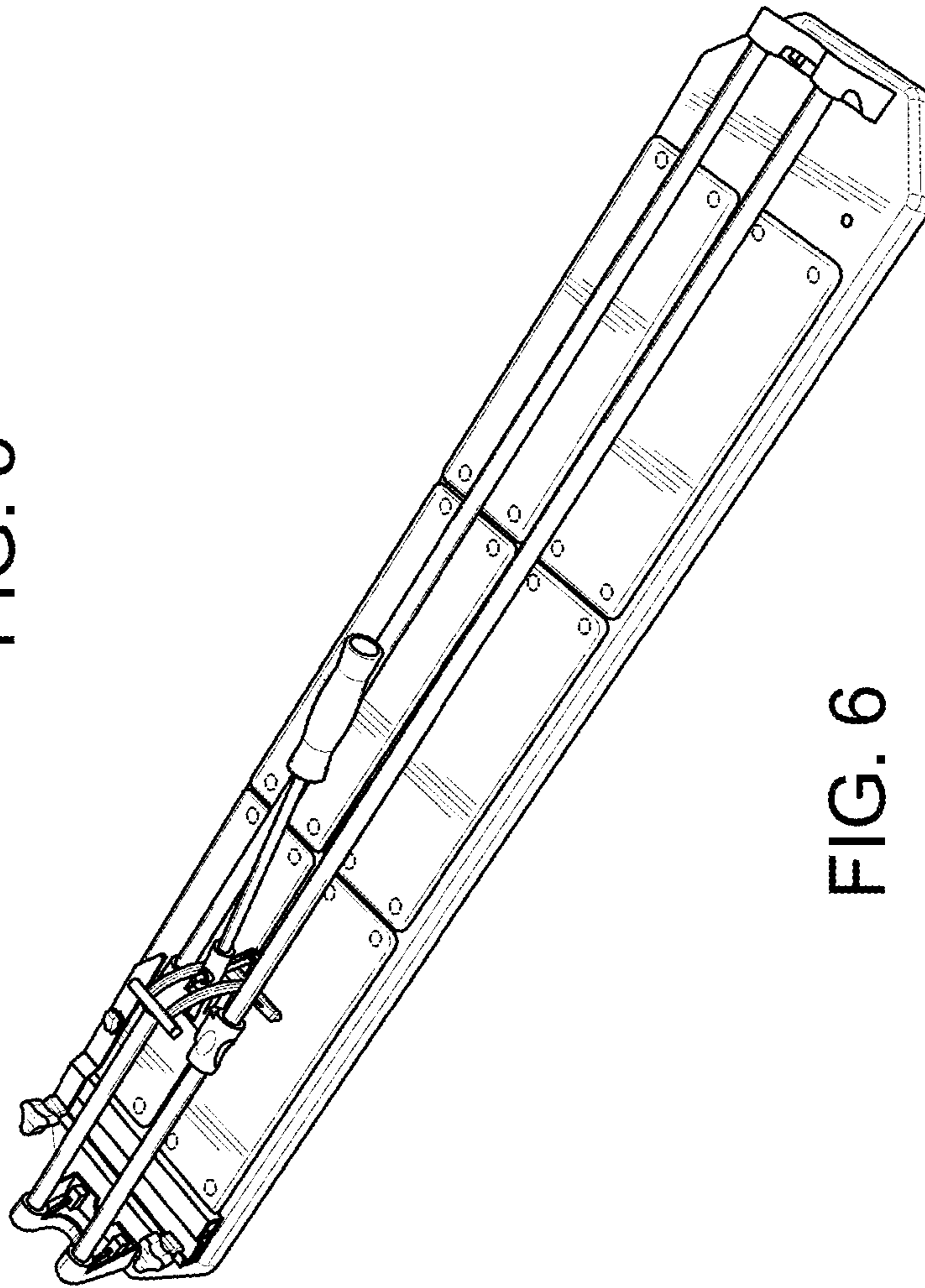
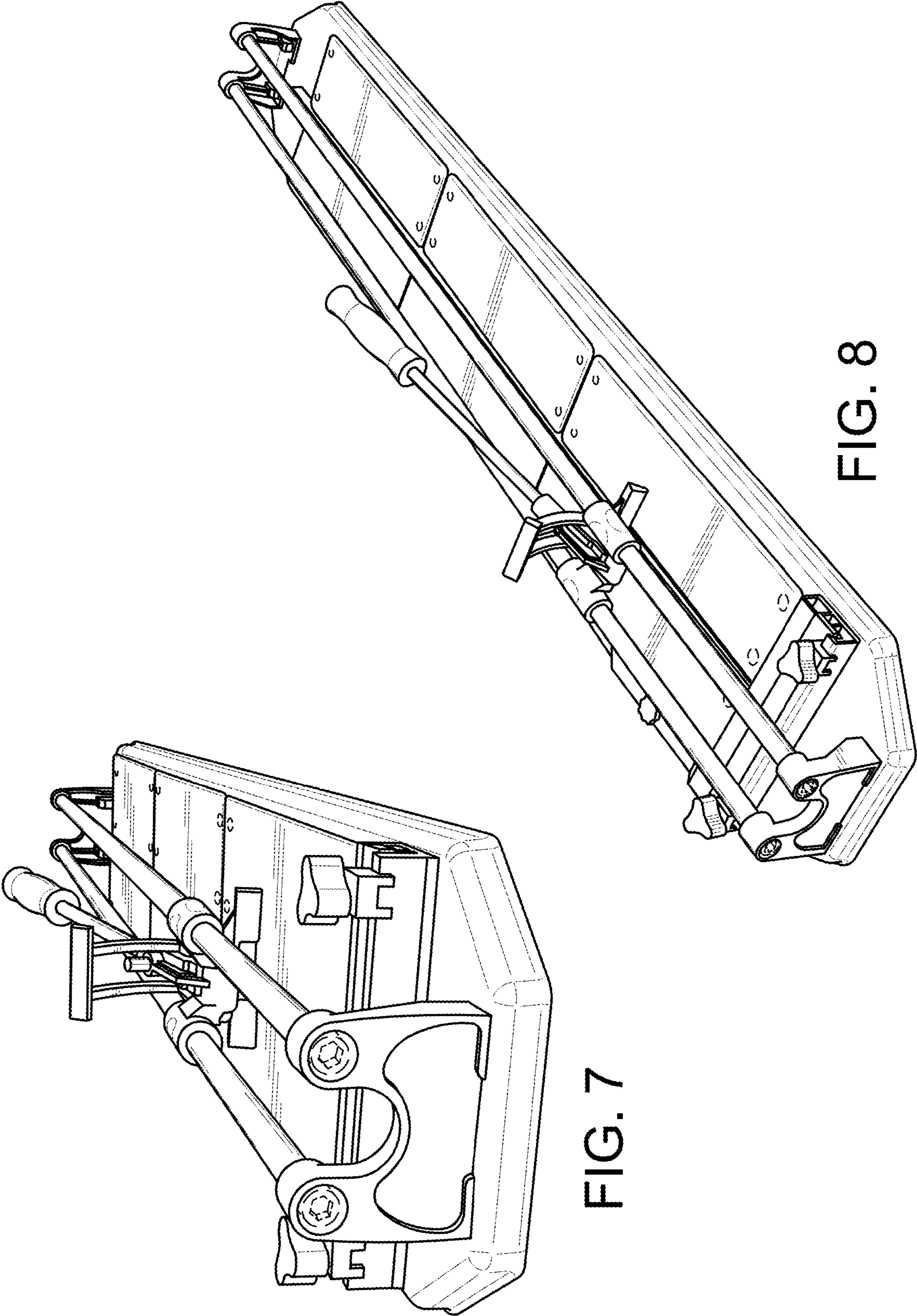


FIG. 6



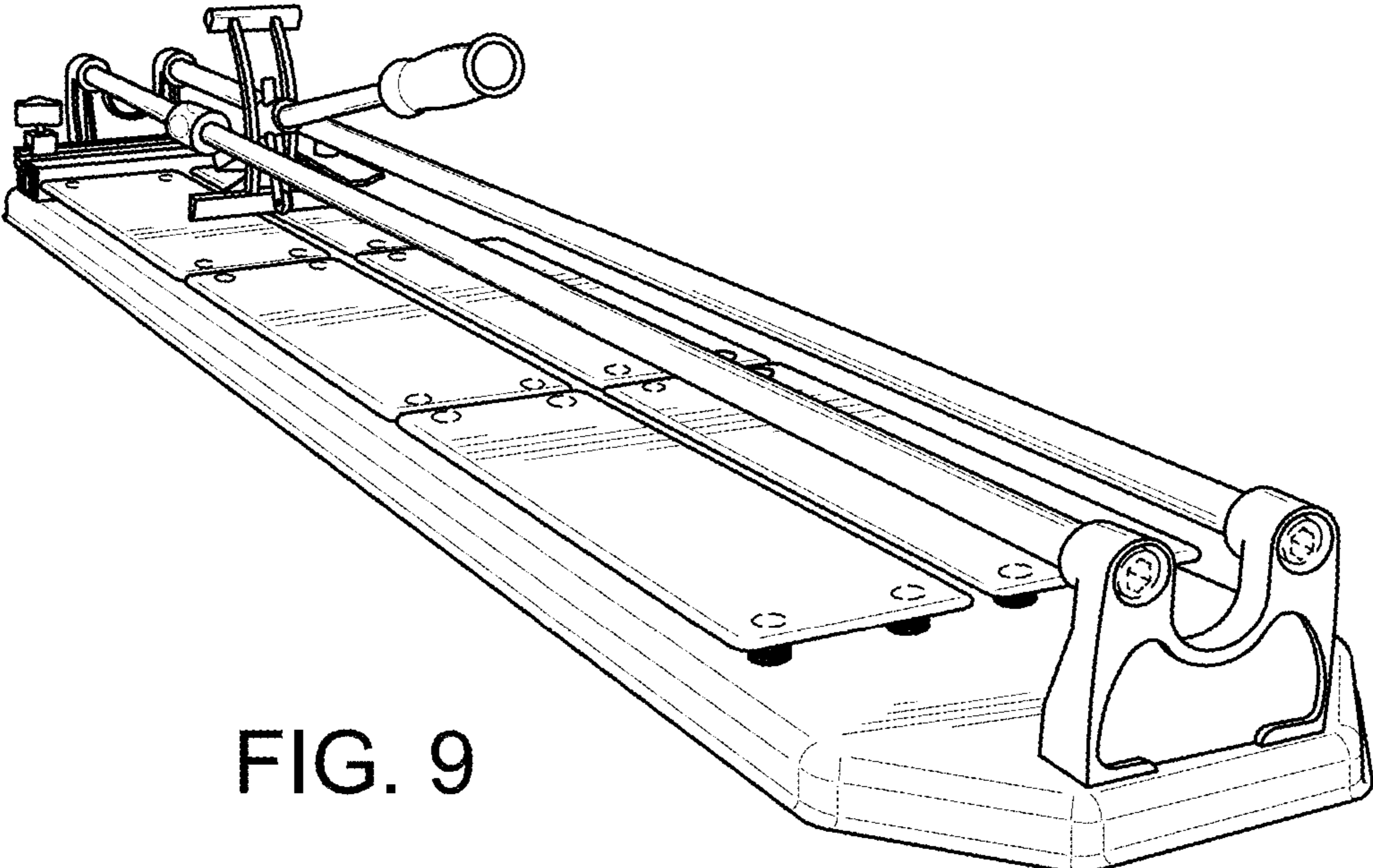


FIG. 9

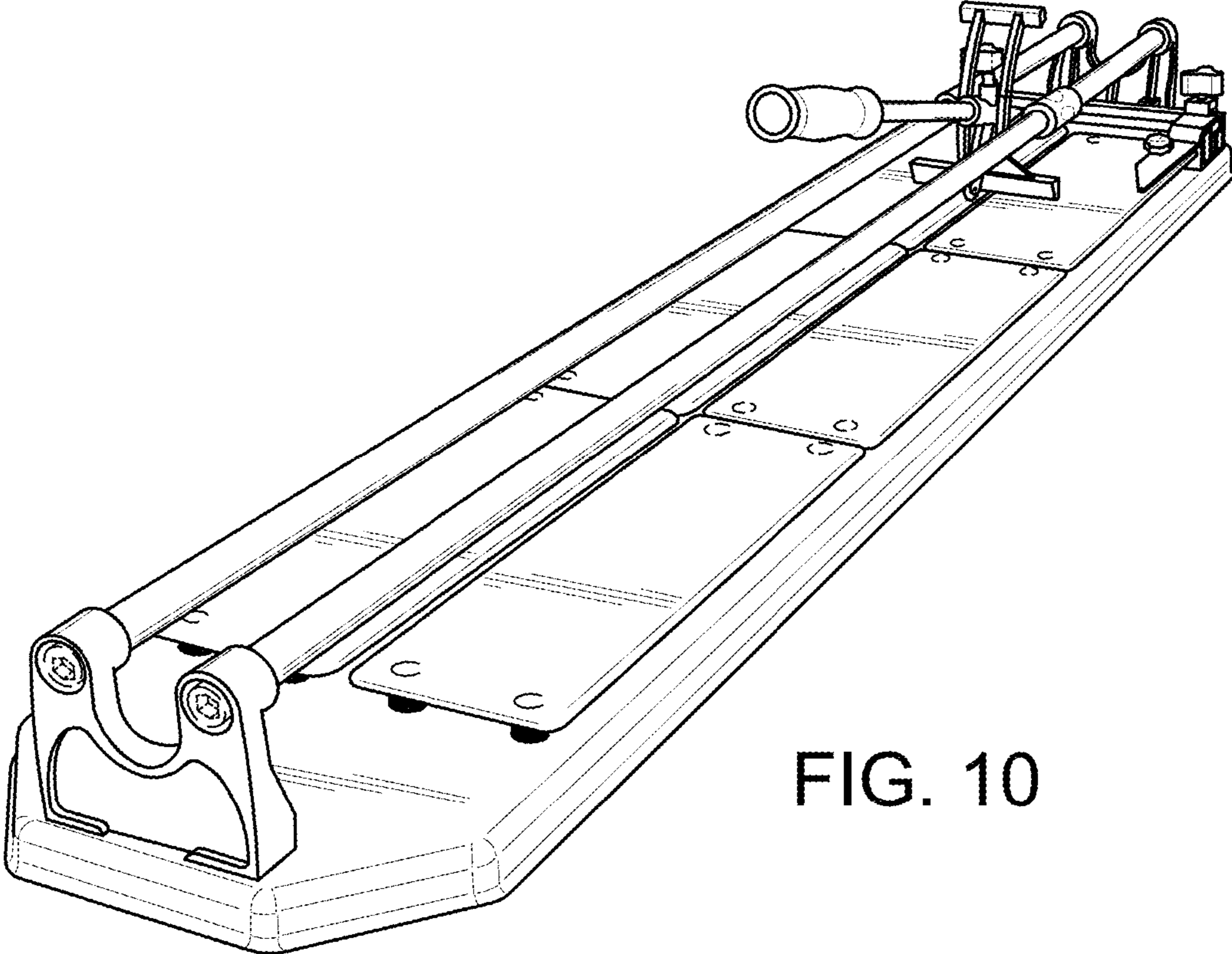


FIG. 10