



US00D771455S

(12) **United States Design Patent** (10) **Patent No.:** **US D771,455 S**
Ovens (45) **Date of Patent:** **** Nov. 15, 2016**

(54) **DRYWALL DEVICE**

(71) Applicant: **Melvin Larry Ovens, Vernon (CA)**

(72) Inventor: **Melvin Larry Ovens, Vernon (CA)**

(**) Term: **14 Years**

(21) Appl. No.: **29/490,510**

(22) Filed: **May 9, 2014**

(51) **LOC (10) Cl.** **08-05**

(52) **U.S. Cl.**
USPC **D8/45**

(58) **Field of Classification Search**
USPC D8/14, 45, 90; 15/235.7, 235.8, 245.1;
425/87, 458
CPC B05C 17/00; B05C 17/00503; B05C
17/00516; B05C 17/00589; B05C 17/10;
E04F 21/00; E04F 21/02; E04F 21/06;
E04F 21/32; E04F 21/165; E04F 21/1655
See application file for complete search history.

5,263,836 A * 11/1993 Tinawong E04F 21/00
15/235.7

5,544,384 A * 8/1996 Forselius E04F 21/1655
15/235.7

D373,715 S * 9/1996 Fink D8/45

6,155,809 A * 12/2000 Edwards B05C 17/00503
15/235.7

6,325,708 B1 * 12/2001 Miles B24D 15/023
451/344

7,485,031 B1 * 2/2009 Stubbs B24B 7/184
451/523

2005/0005386 A1 * 1/2005 MacMillan E04F 21/00
15/245.1

2005/0106278 A1 * 5/2005 Hall E04F 21/1655
425/87

2009/0041536 A1 * 2/2009 Cole E04F 21/00
403/122

2009/0047882 A1 * 2/2009 Collins B24D 15/105
451/524

* cited by examiner

Primary Examiner — Philip S Hyder
Assistant Examiner — Roselynne Cody
(74) *Attorney, Agent, or Firm* — Schwabe, Williamson & Wyatt, P.C.

(56) **References Cited**

U.S. PATENT DOCUMENTS

D132,890 S * 6/1942 Brabham D8/45

2,817,931 A * 12/1957 Houser B24D 15/023
451/522

3,279,130 A * 10/1966 Nelson B24D 15/023
15/231

3,932,101 A * 1/1976 Johnson B05C 17/00503
15/235.7

4,116,604 A * 9/1978 Johnson E04F 21/1655
15/235.7

4,619,013 A * 10/1986 Yon E04F 21/1655
15/235.7

4,757,572 A * 7/1988 Yon E04F 21/1655
15/235.7

4,767,297 A * 8/1988 Mower E04F 21/32
15/235.7

5,010,618 A * 4/1991 Croft B05C 17/10
15/235.7

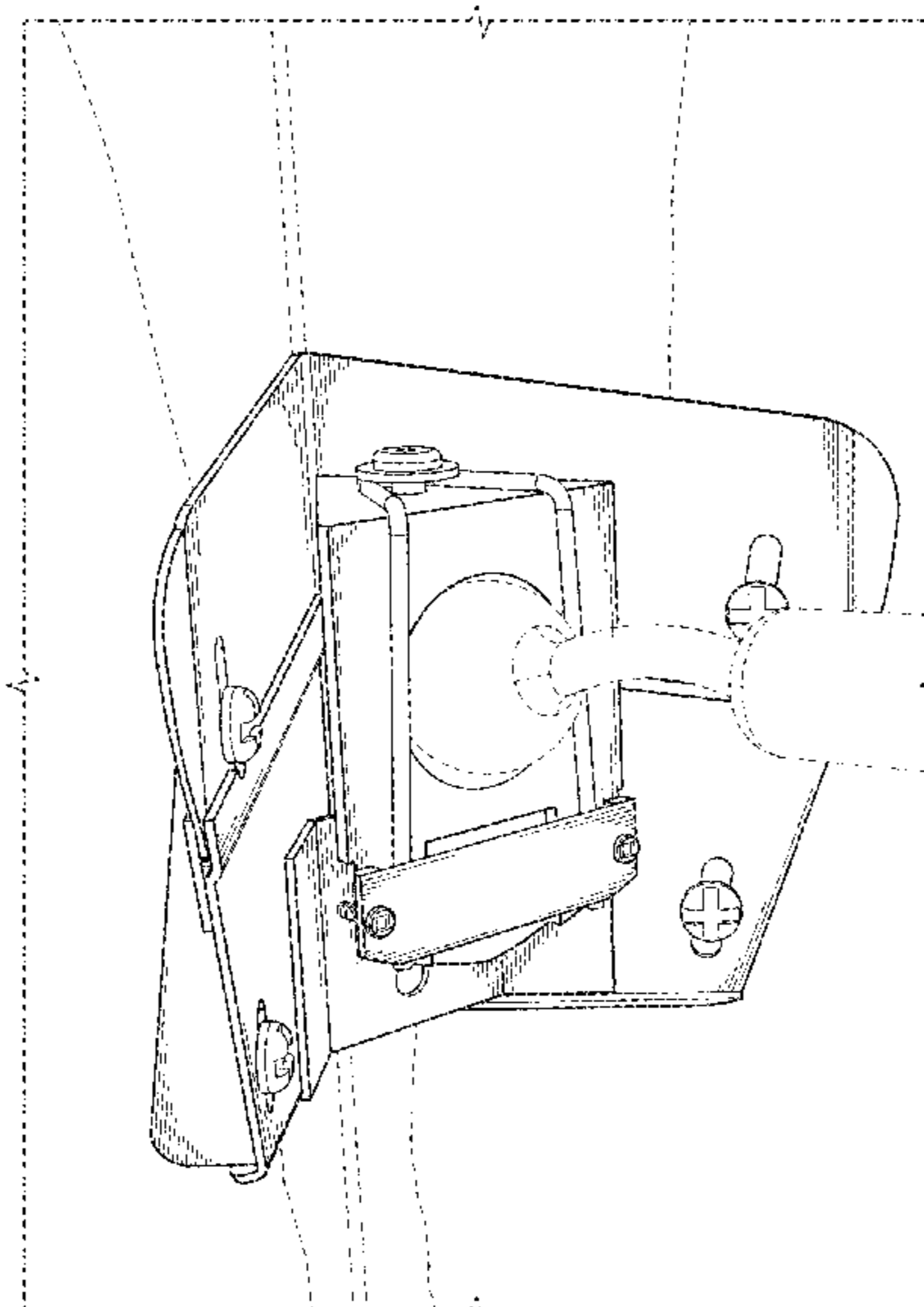
(57) **CLAIM**

I claim the ornamental design for a drywall device, as shown and described.

DESCRIPTION

FIG. 1 is a perspective view of a drywall device showing my new design;
FIG. 2 is a perspective view thereof;
FIG. 3 is a front plan view thereof;
FIG. 4 is a back plan view thereof;
FIG. 5 is a top plan view thereof;
FIG. 6 is a left side view thereof; and,
FIG. 7 is a right side view thereof.
The dashed lines are included for illustrating environmental structure and form no part of the claimed design.

1 Claim, 5 Drawing Sheets



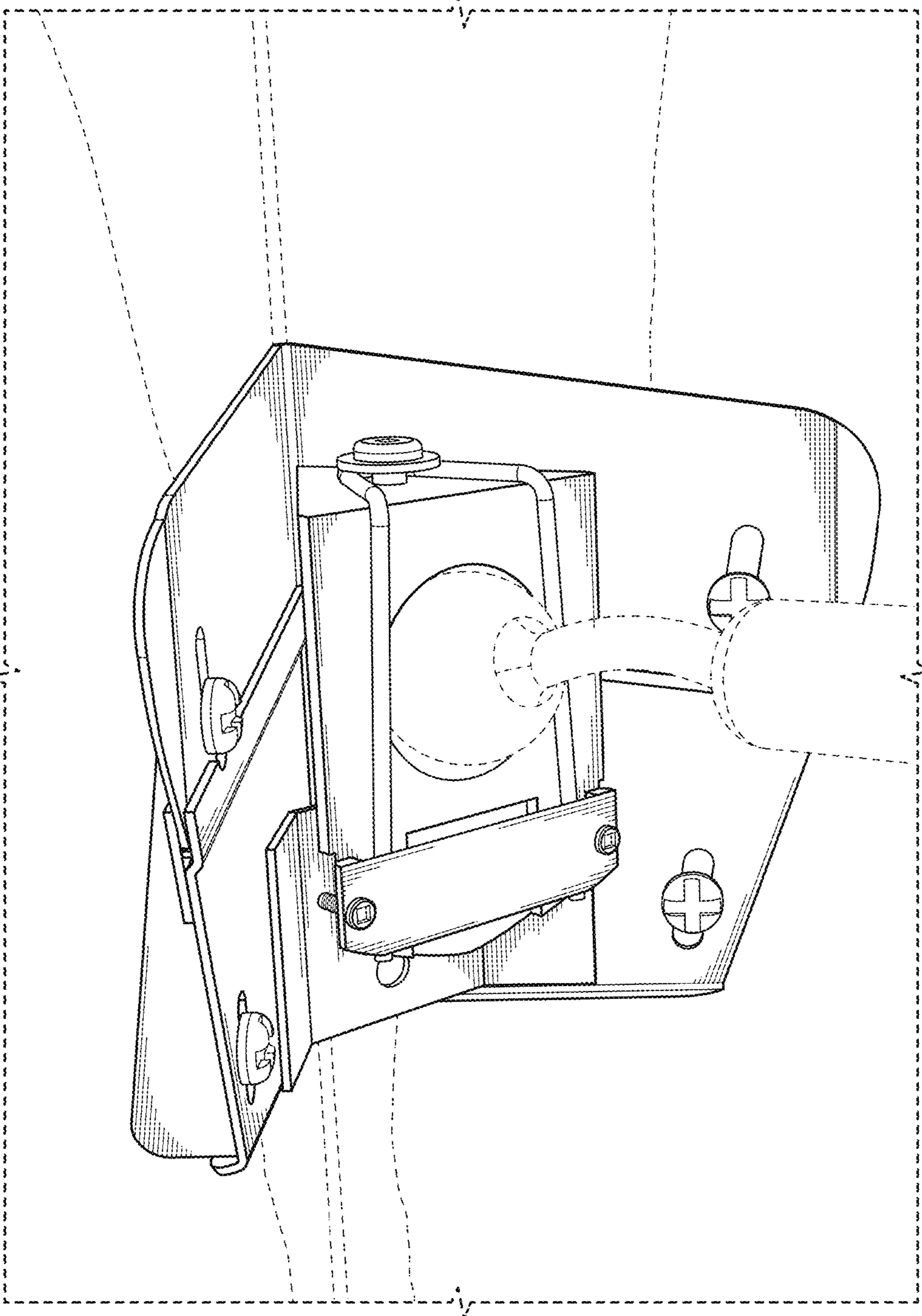


FIG. 1

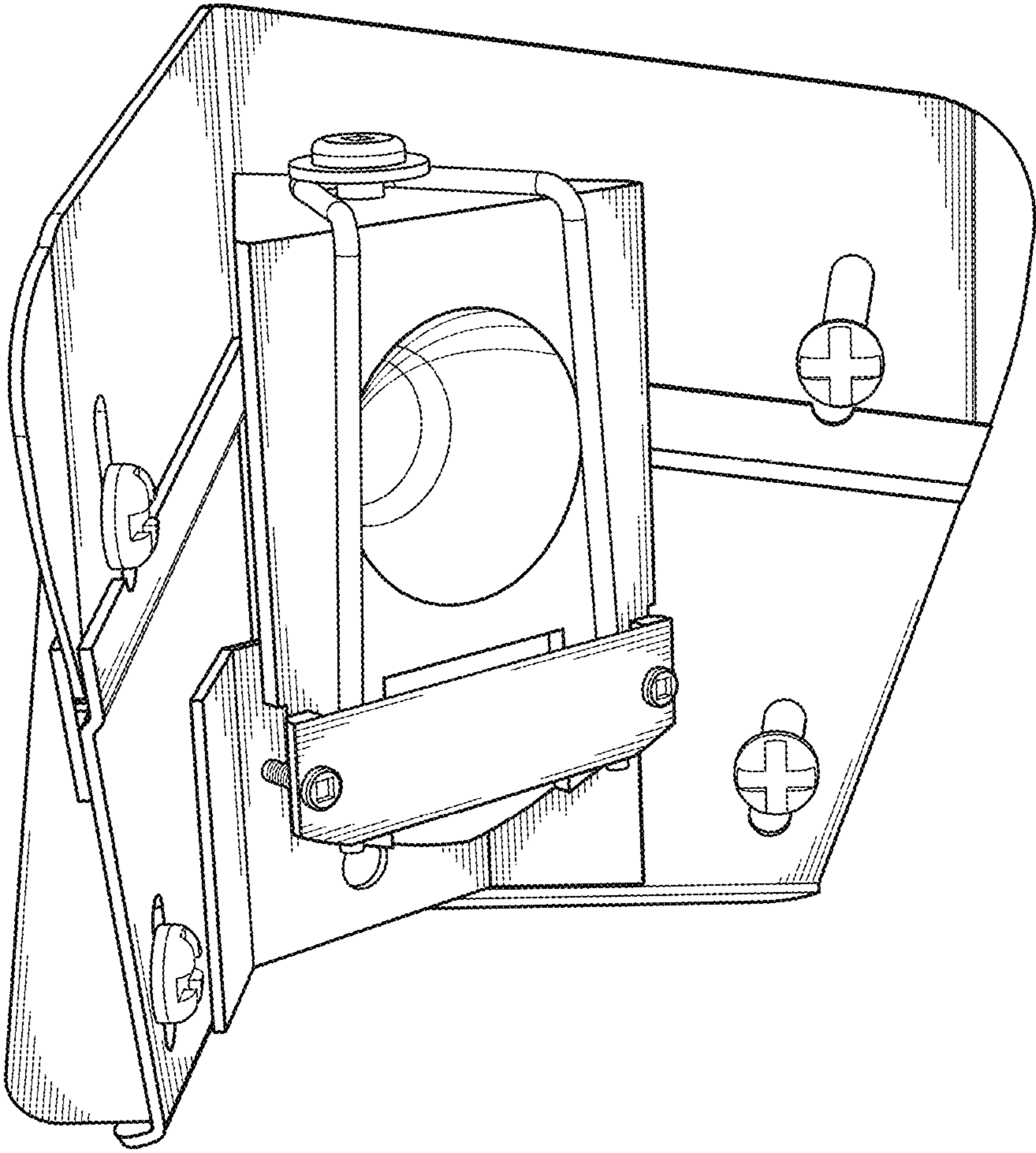


FIG. 2

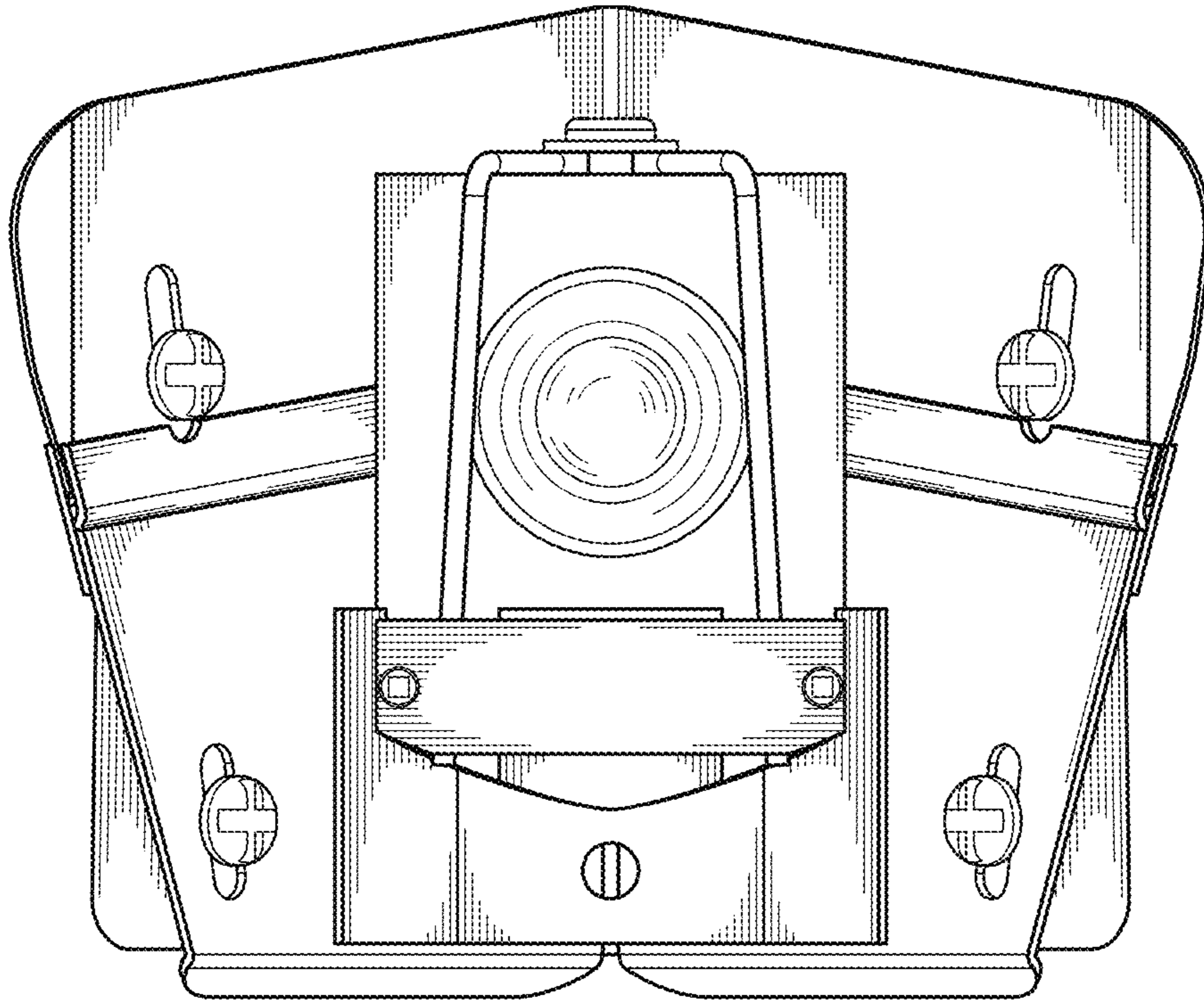


FIG. 3

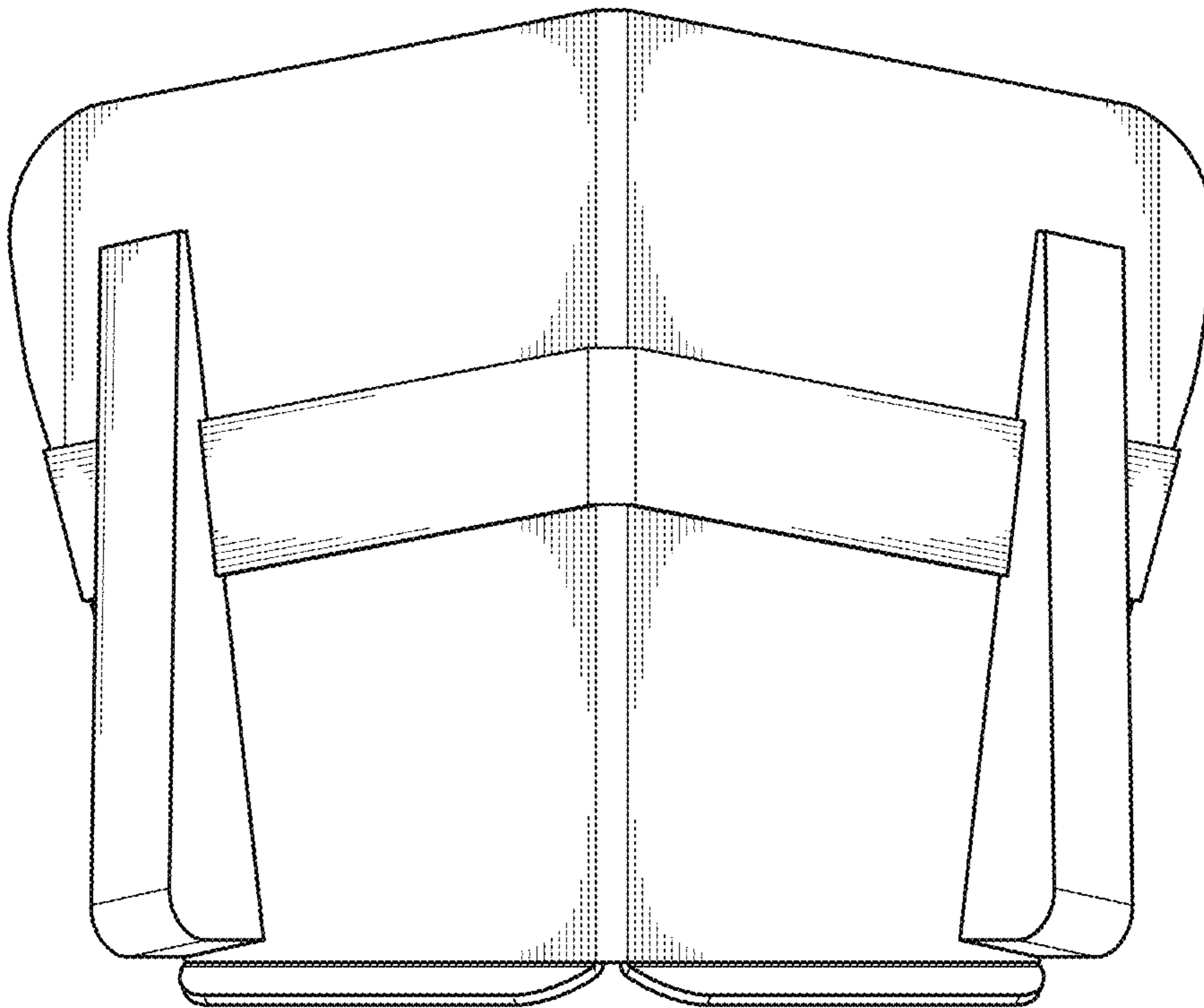


FIG. 4

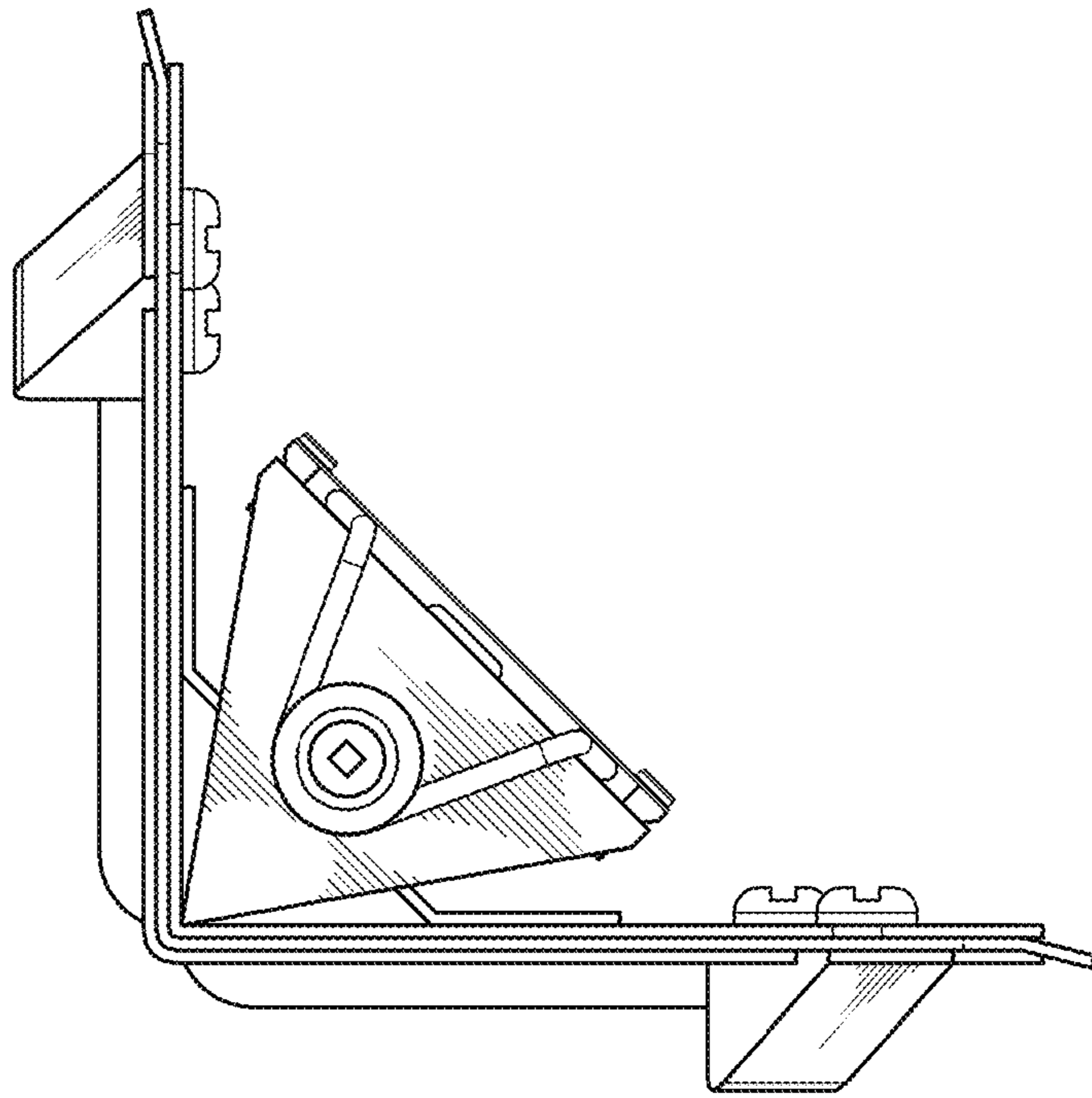


FIG. 5

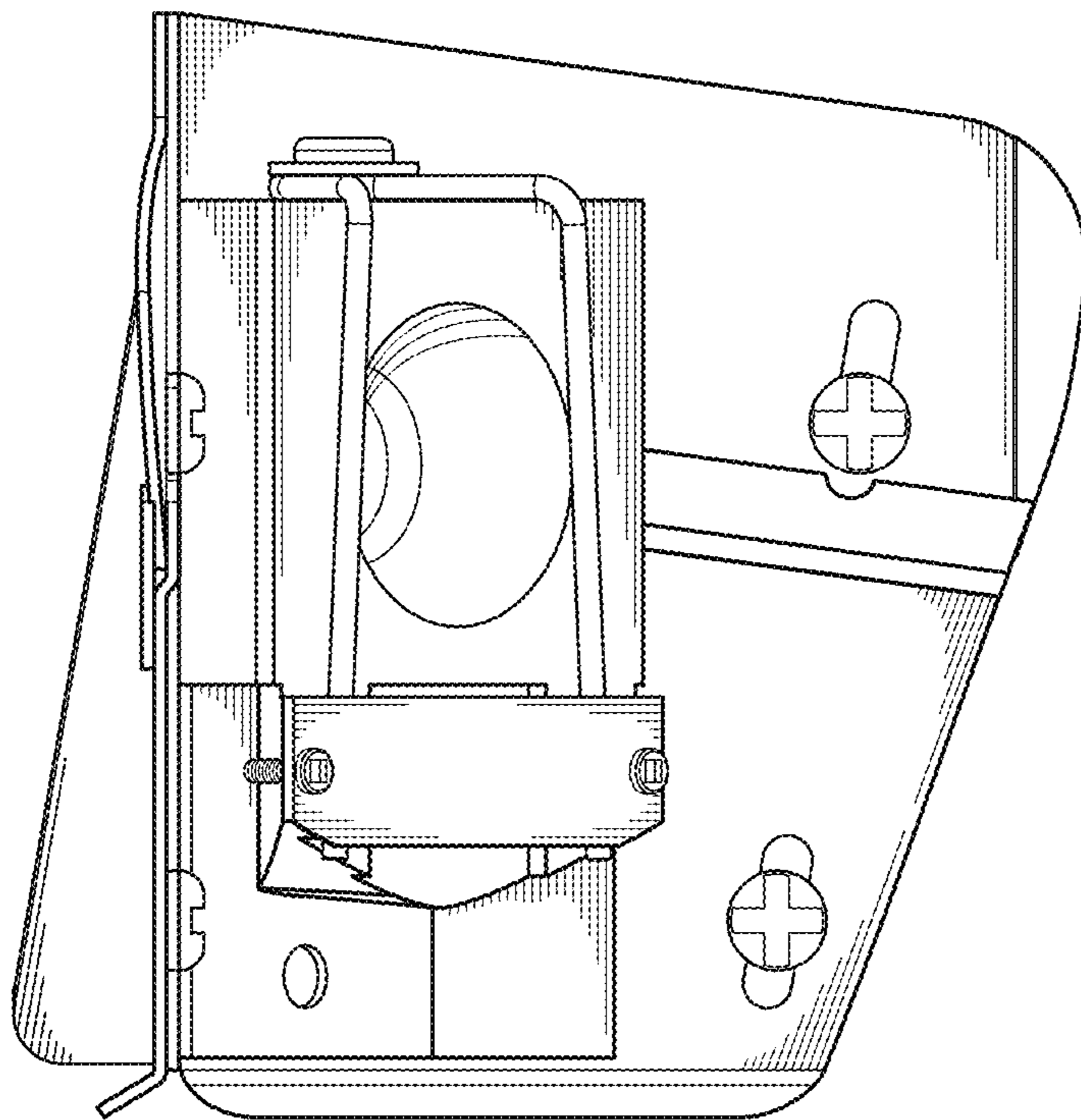


FIG. 6

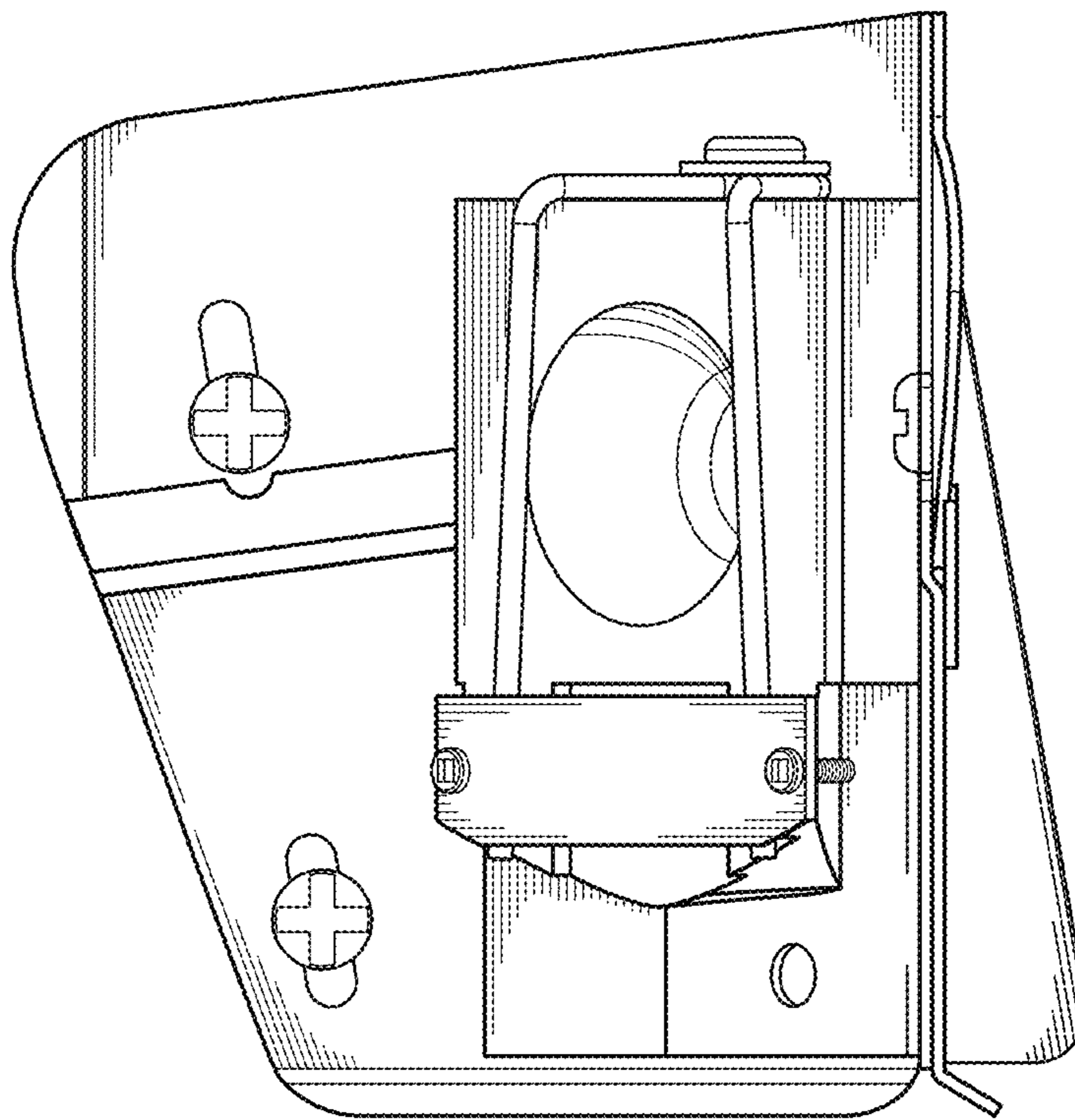


FIG. 7