



US00D771454S

(12) **United States Design Patent**
Steinel

(10) **Patent No.:** **US D771,454 S**

(45) **Date of Patent:** **** Nov. 15, 2016**

(54) **HEAT GUN**

(71) Applicant: **Steinel GmbH**, Herzebrock (DE)

(72) Inventor: **Ingo Steinel**, Herzebrock (DE)

(73) Assignee: **Steinel GmbH**, Herzebrock (DE)

(**) Term: **14 Years**

(21) Appl. No.: **29/502,316**

(22) Filed: **Sep. 15, 2014**

(30) **Foreign Application Priority Data**

Mar. 14, 2014 (DE) 002425744-0001
Mar. 14, 2014 (DE) 002425744-0002
Mar. 14, 2014 (DE) 002425744-0003

(51) **LOC (10) Cl.** **08-05**

(52) **U.S. Cl.**
USPC **D8/29.1**

(58) **Field of Classification Search**
USPC D8/29.1, 29.2; D15/144; D28/13
CPC F24H 3/00; F24H 3/0423; F16M 13/00
See application file for complete search history.

(56) **References Cited**

U.S. PATENT DOCUMENTS

4,085,309 A * 4/1978 Godel H05B 1/0252
219/501
4,122,329 A * 10/1978 Godel A45D 20/10
219/541

D436,507 S * 1/2001 Cheng D8/29.1
D456,681 S * 5/2002 Cheng D8/29.1
D457,043 S * 5/2002 Cheng D8/29.1
D458,524 S * 6/2002 Cheng D8/29.1
D458,818 S * 6/2002 Cheng D8/29.1
D659,496 S * 5/2012 Mochizuki D8/29.1

* cited by examiner

Primary Examiner — Phillip S Hyder

(74) *Attorney, Agent, or Firm* — Bachman & LaPointe,
PC

(57) **CLAIM**

The ornamental design of a heat gun, as shown.

DESCRIPTION

FIG. 1 is a top view of a heat gun in accordance with the present invention;

FIG. 2 is a side view thereof;

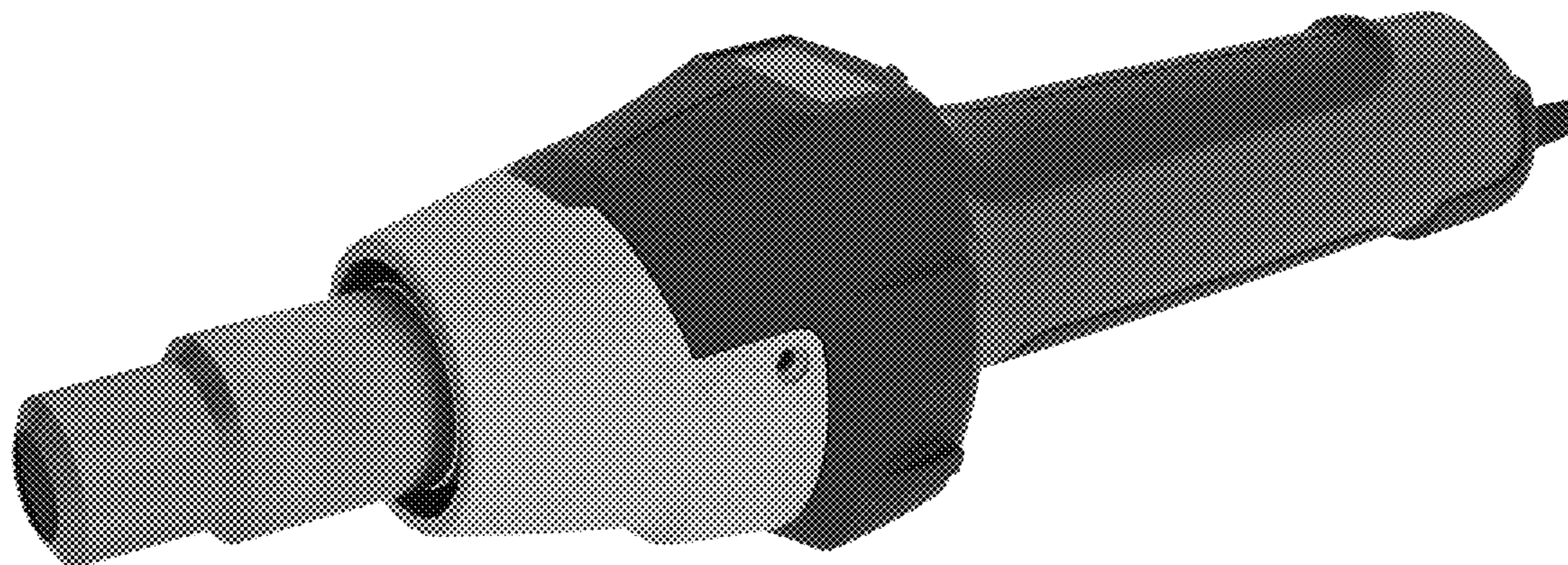
FIG. 3 is a rear perspective view thereof

FIG. 4 is a front and side perspective view; and,

FIG. 5 is a top perspective view thereof.

The broken lines in FIG. 1 depict a portion of the heat gun design which forms no part of the claimed design.

1 Claim, 5 Drawing Sheets



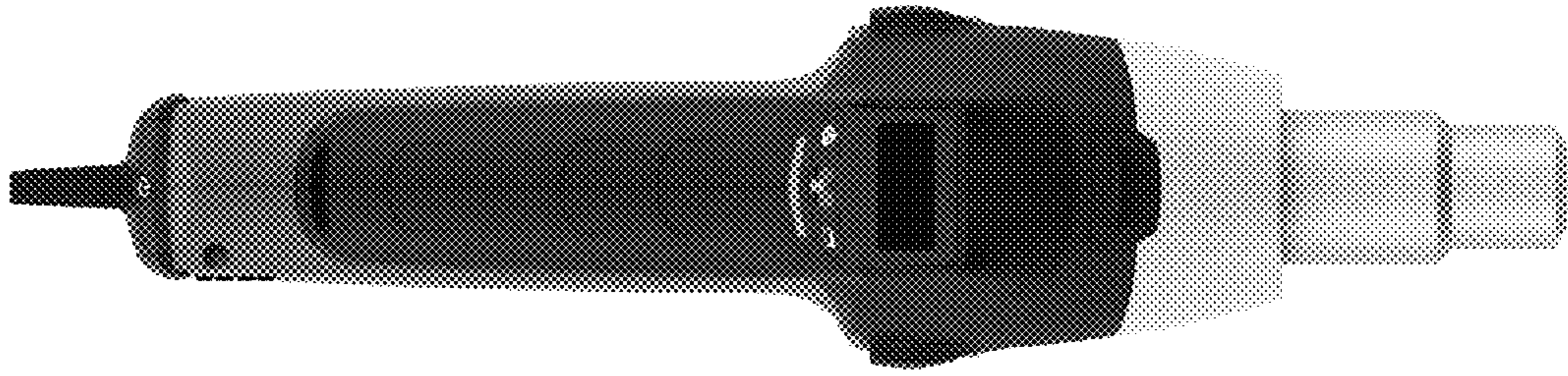


FIG. 1

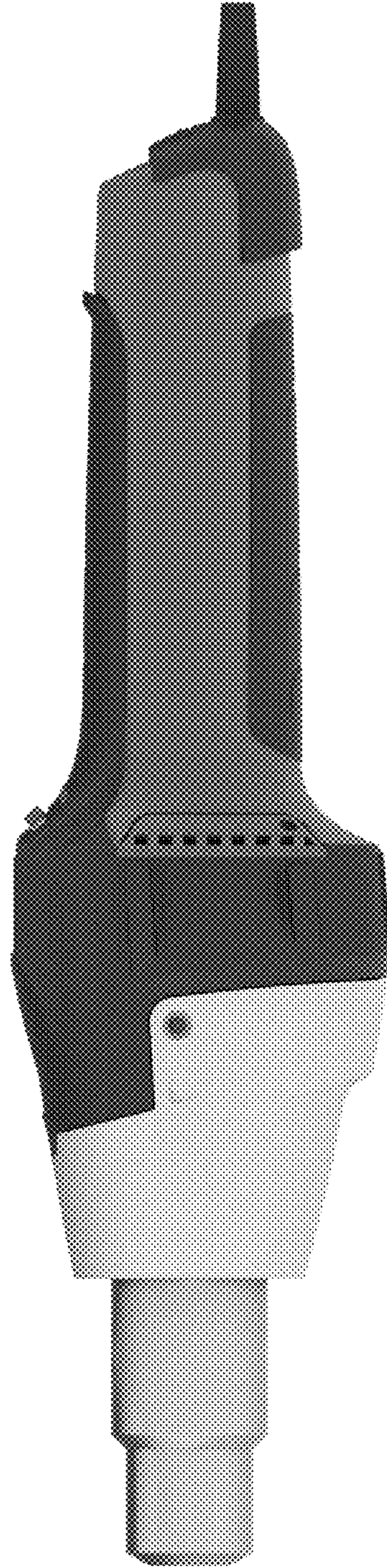


FIG. 2



FIG. 3

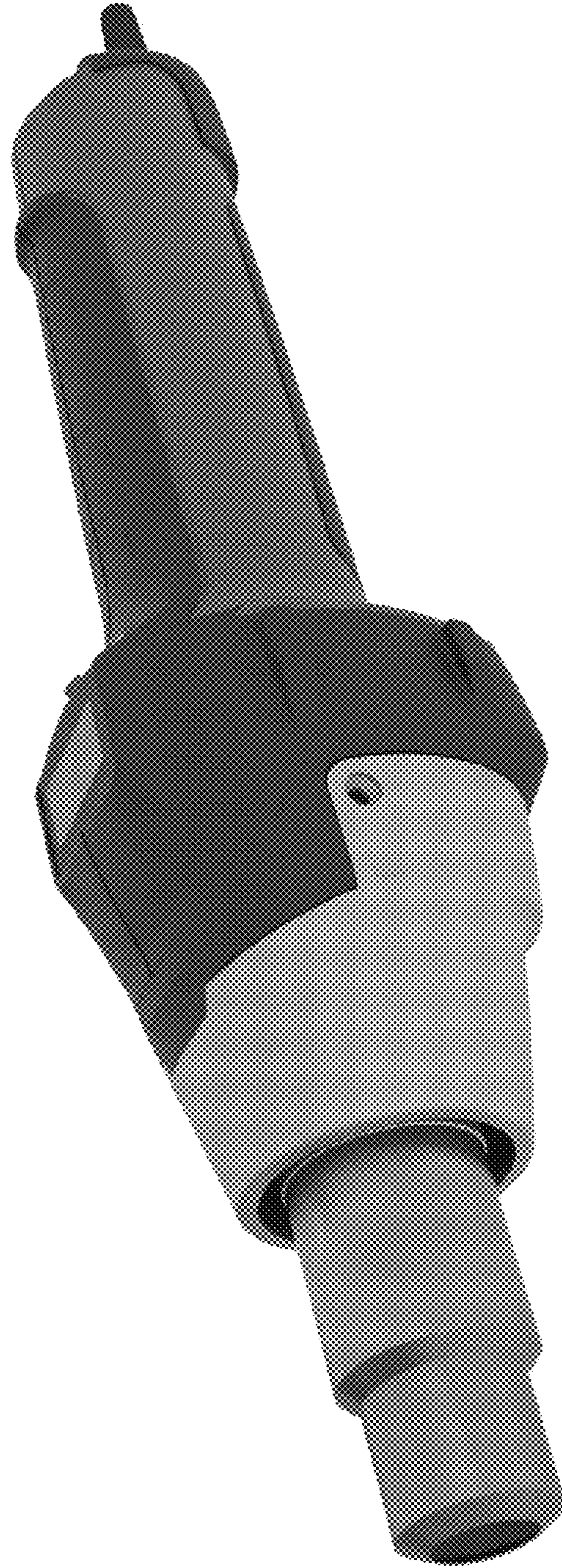


FIG. 4



FIG. 5