



US00D771453S

(12) **United States Design Patent**
Liu

(10) **Patent No.:** **US D771,453 S**

(45) **Date of Patent:** **** Nov. 15, 2016**

(54) **RATCHET WRENCH**

(71) Applicant: **Chao-Chih Liu**, Taichung (TW)

(72) Inventor: **Chao-Chih Liu**, Taichung (TW)

(**) Term: **15 Years**

(21) Appl. No.: **29/540,172**

(22) Filed: **Sep. 22, 2015**

(51) **LOC (10) Cl.** **08-05**

(52) **U.S. Cl.**
USPC **D8/25**

(58) **Field of Classification Search**
USPC 81/58, 58.1, 59.1, 60, 61, 62, 63, 63.1,
81/63.2, 121.1, 125, 177.1, 177.2, 177.85,
81/180.1, 489; D8/25
CPC B25B 13/00; B25B 13/48; B25B 23/02;
B25B 23/10; B25G 1/10; B25G 1/00
See application file for complete search history.

(56) **References Cited**

U.S. PATENT DOCUMENTS

D359,211 S * 6/1995 Knox D8/25
5,542,322 A * 8/1996 Knox B25B 13/461
81/177.6

D419,837 S * 2/2000 Knox D8/25
D456,462 S * 4/2002 Sorensen D21/488
6,968,758 B2 * 11/2005 Lin B25B 13/462
81/176.1
D556,007 S * 11/2007 Hung D8/107
D635,430 S * 4/2011 Robinson D8/83
D675,893 S * 2/2013 Chen D8/25
D718,586 S * 12/2014 Jiang D8/25

* cited by examiner

Primary Examiner — Randall Gholson

(74) *Attorney, Agent, or Firm* — Guice Patents PLLC

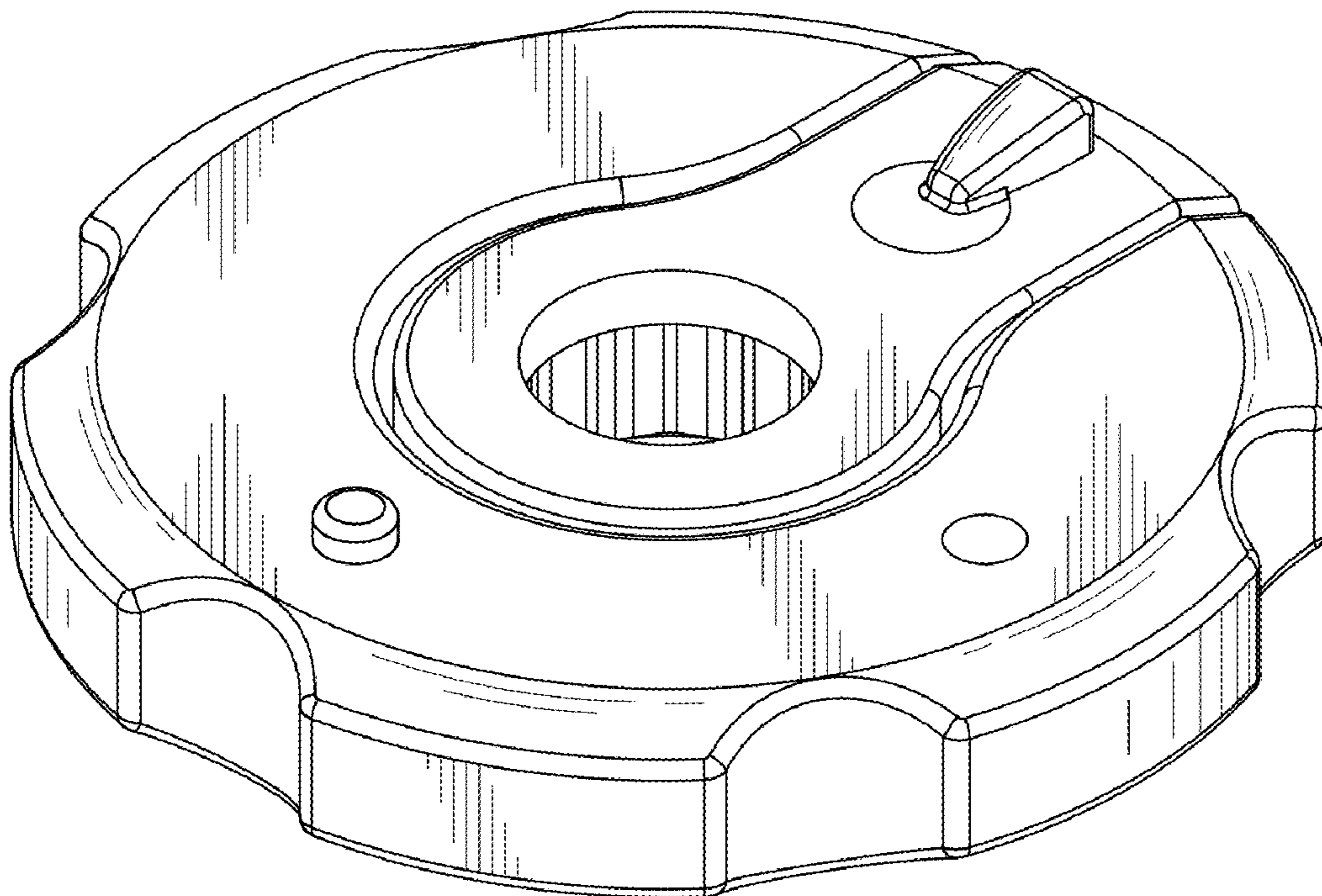
(57) **CLAIM**

The ornamental design for a ratchet wrench, as shown.

DESCRIPTION

FIG. 1 is a perspective view of a ratchet wrench showing my new design;
FIG. 2 is a front elevational view thereof;
FIG. 3 is a rear elevational view thereof;
FIG. 4 is a left side elevational view thereof;
FIG. 5 is a right side elevational view thereof;
FIG. 6 is a top plan view thereof;
FIG. 7 is a bottom plan view thereof; and,
FIG. 8 is a view showing the application thereof.

1 Claim, 6 Drawing Sheets



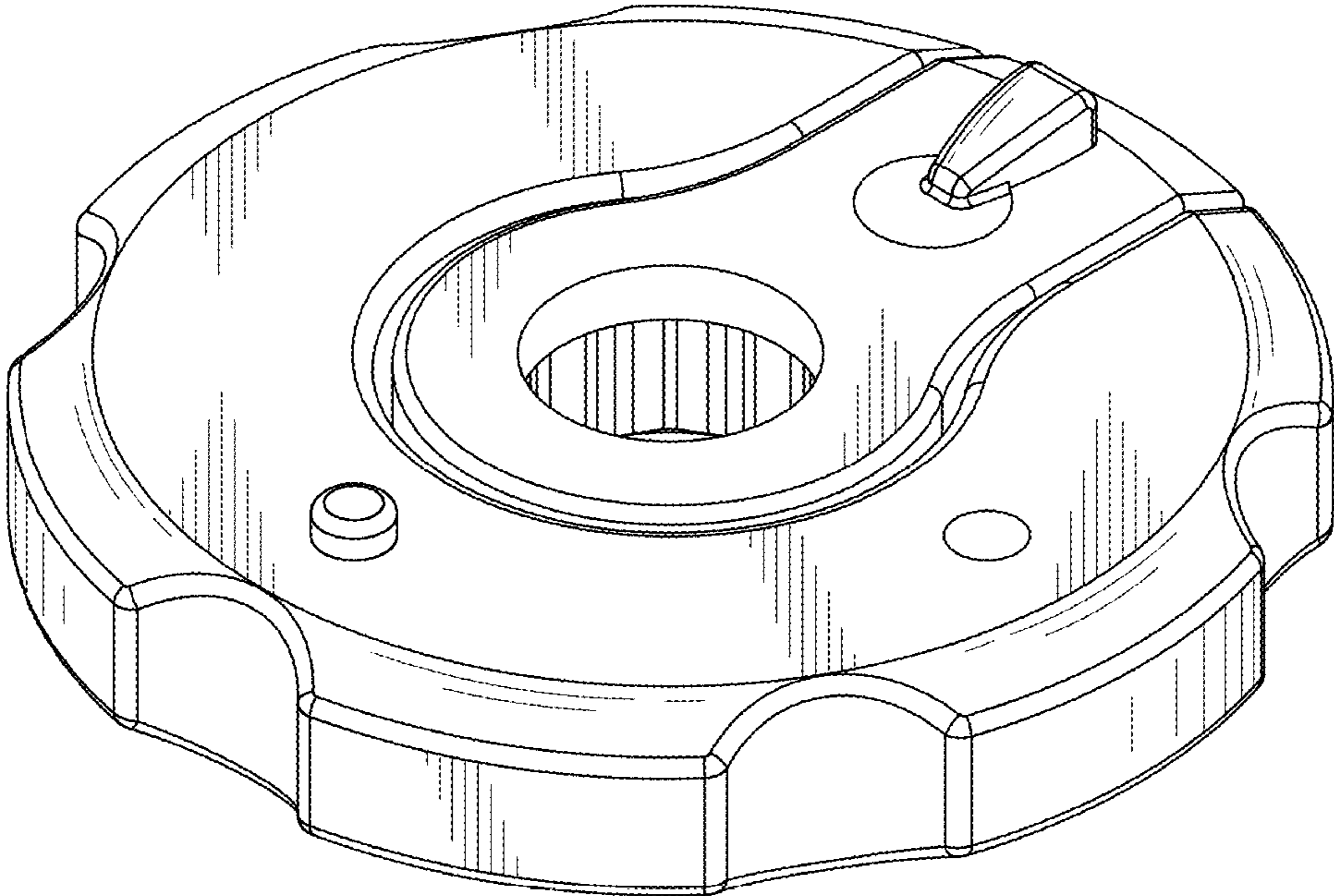


FIG.1

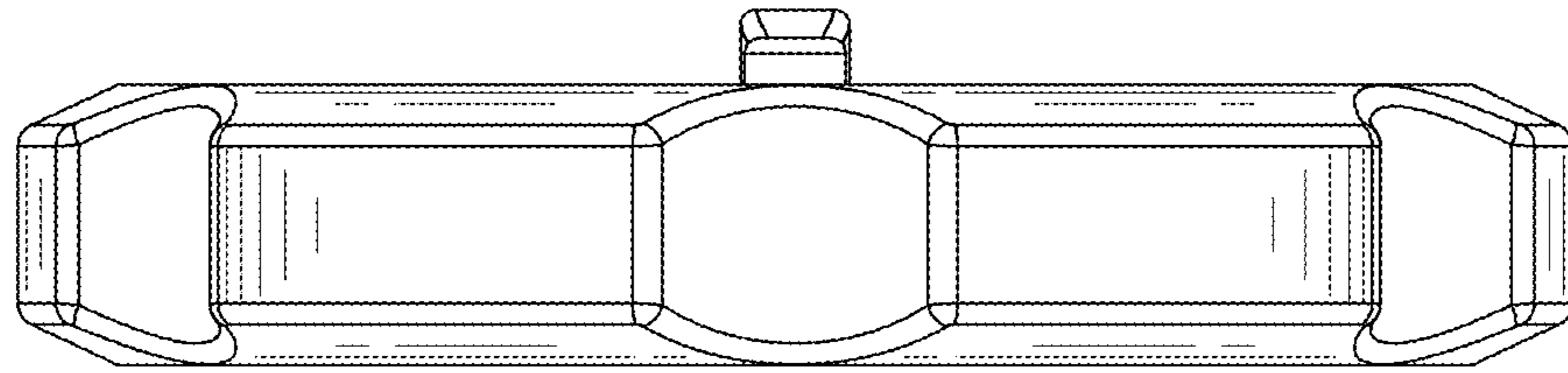


FIG. 2

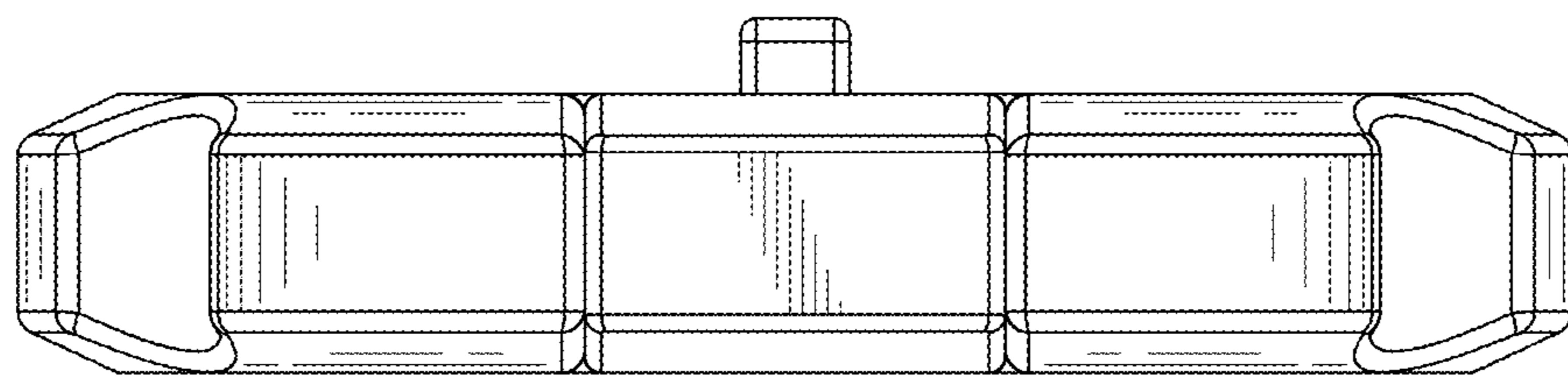


FIG. 3

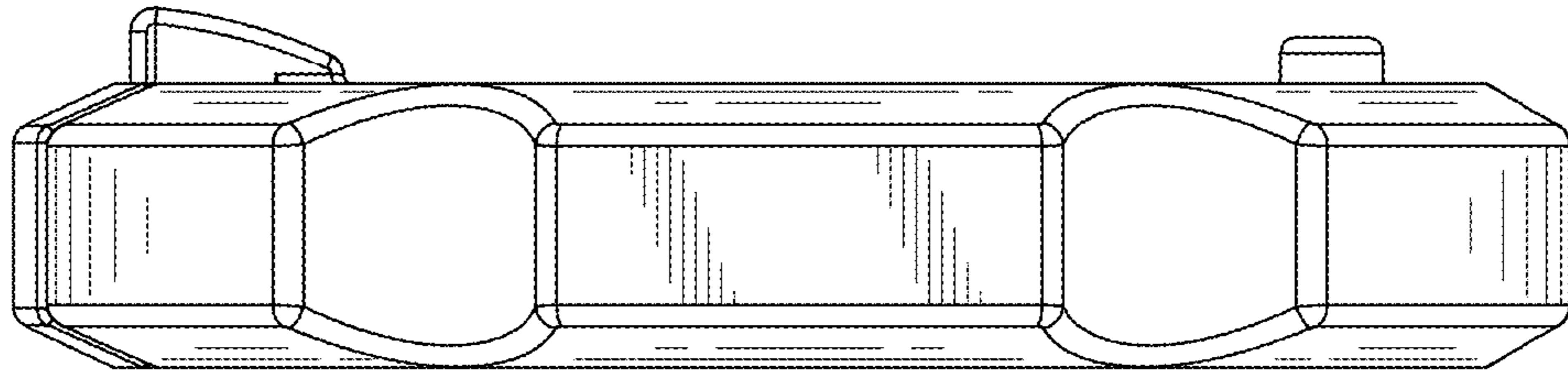


FIG.4

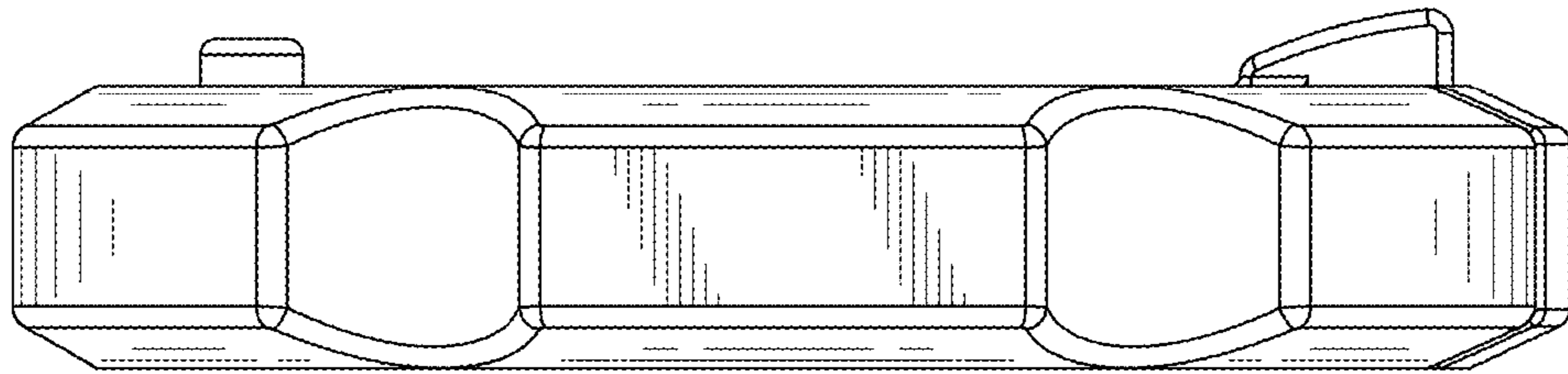


FIG.5

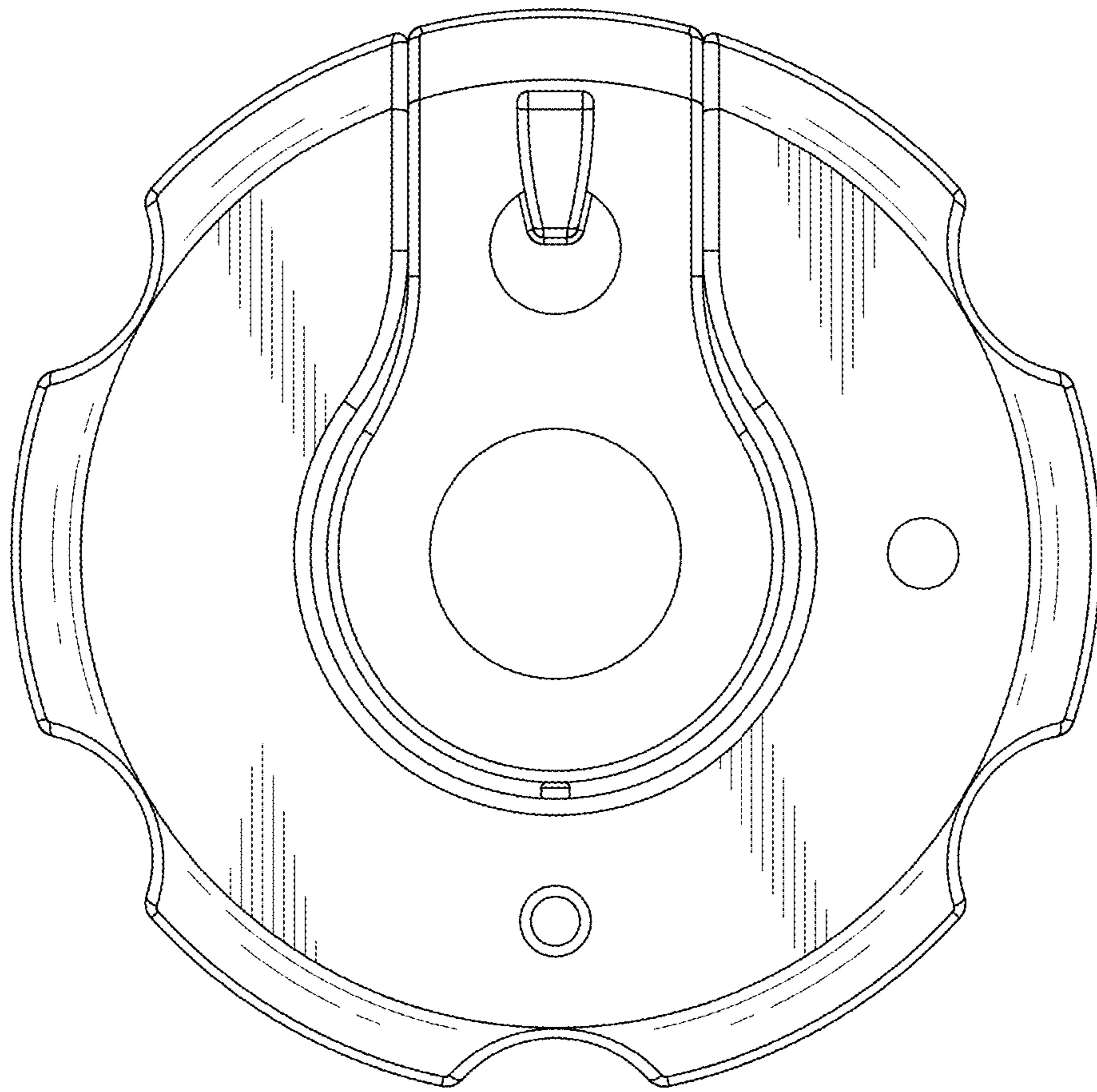


FIG.6

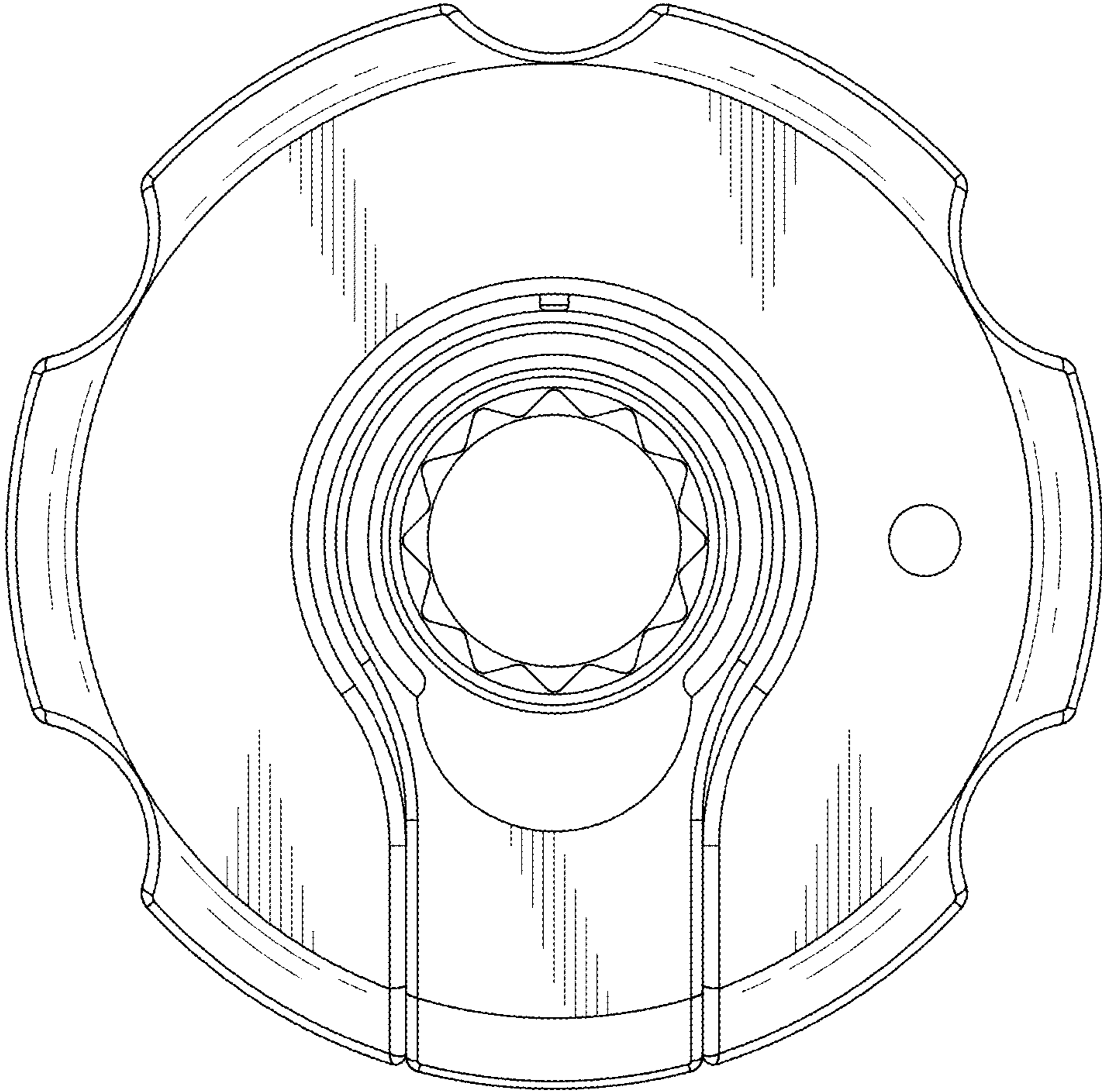


FIG.7

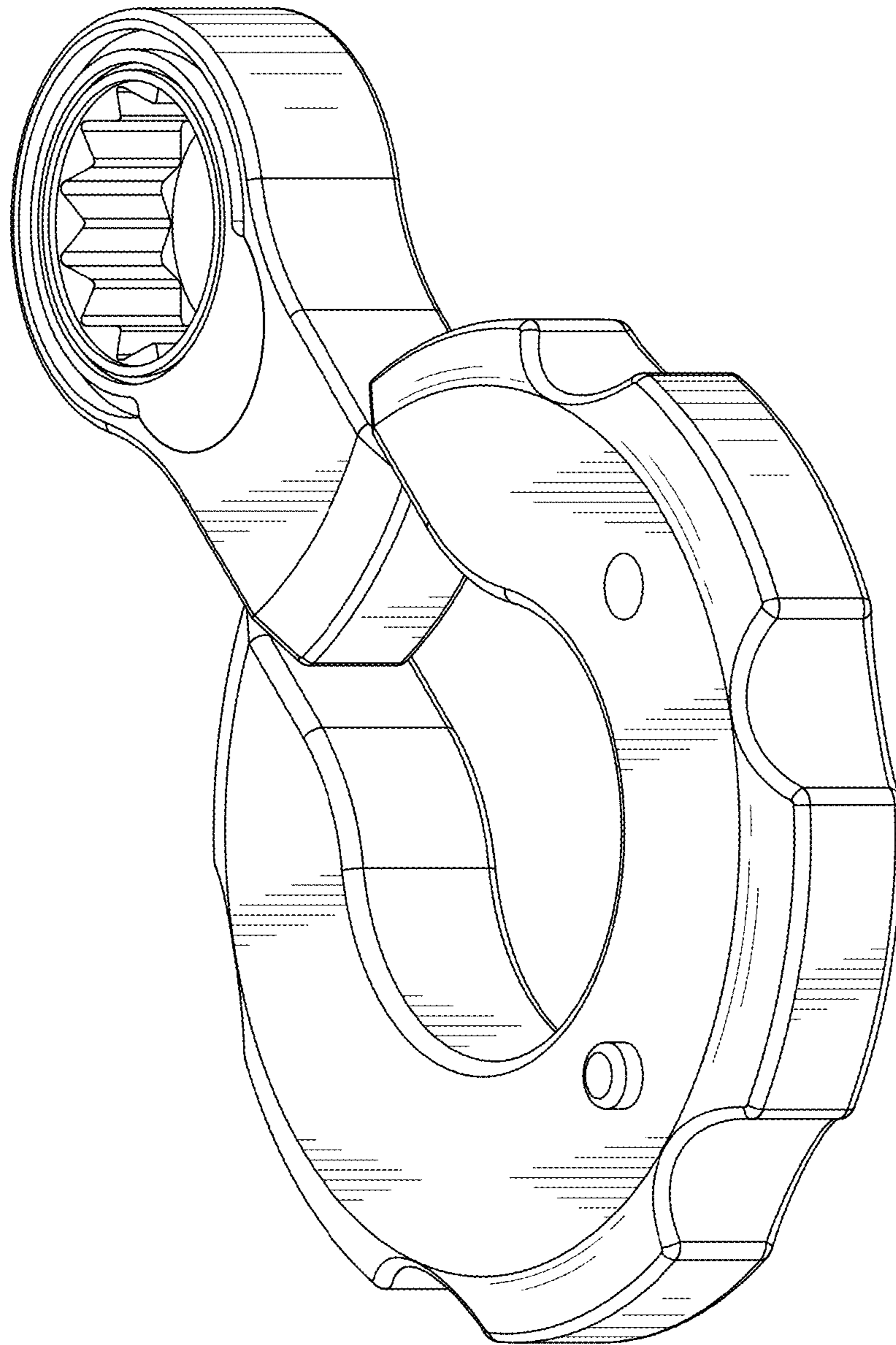


FIG. 8