



US00D771452S

(12) **United States Design Patent** (10) **Patent No.:** **US D771,452 S**  
**Scott** (45) **Date of Patent:** **\*\* Nov. 15, 2016**

(54) **CONFIGURABLE MULTIPURPOSE TOOL**

(71) Applicant: **Steven Richard Scott**, Curlew, WA (US)

(72) Inventor: **Steven Richard Scott**, Curlew, WA (US)

(73) Assignee: **Motion Pro, Inc.**, Loomis, CA (US)

(\*\*) Term: **15 Years**

(21) Appl. No.: **29/543,577**

(22) Filed: **Oct. 26, 2015**

(51) **LOC (10) Cl.** ..... **08-05**

(52) **U.S. Cl.**  
USPC ..... **D8/21**

(58) **Field of Classification Search**

USPC ..... D8/21-29; 81/177.7, 177.8, 177.9,  
81/177.2, 60-63.2; 403/324, 84, 93, 96

CPC ..... B25B 9/00  
See application file for complete search history.

(56) **References Cited**

U.S. PATENT DOCUMENTS

D606,821 S \* 12/2009 Schwartz ..... D8/21  
D714,116 S \* 9/2014 Jiang ..... D8/25

\* cited by examiner

*Primary Examiner* — Randall Gholson

(74) *Attorney, Agent, or Firm* — Larry B. Guernsey;  
Patent Law Office of Larry B. Guernsey

(57) **CLAIM**

The ornamental design for a configurable multipurpose tool, as shown and described above.

**DESCRIPTION**

FIG. 1 is a top plan view of an ornamental design for a configurable multipurpose tool of the present invention in a first configuration;

FIG. 2 is a front view of an ornamental design for a configurable multipurpose tool of the present invention in a first configuration;

FIG. 3 is a right side view of an ornamental design for a configurable multipurpose tool of the present invention in a first configuration;

FIG. 4 is a rear view of an ornamental design for a configurable multipurpose tool of the present invention in a first configuration;

FIG. 5 is a left side view of an ornamental design for a configurable multipurpose tool of the present invention in a first configuration;

FIG. 6 is a bottom plan view of an ornamental design for a configurable multipurpose tool of the present invention in a first configuration;

FIG. 7 is a front end isometric view of an ornamental design for a configurable multipurpose tool of the present invention in a first configuration;

FIG. 8 is a rear end isometric view of an ornamental design for a configurable multipurpose tool of the present invention in a first configuration;

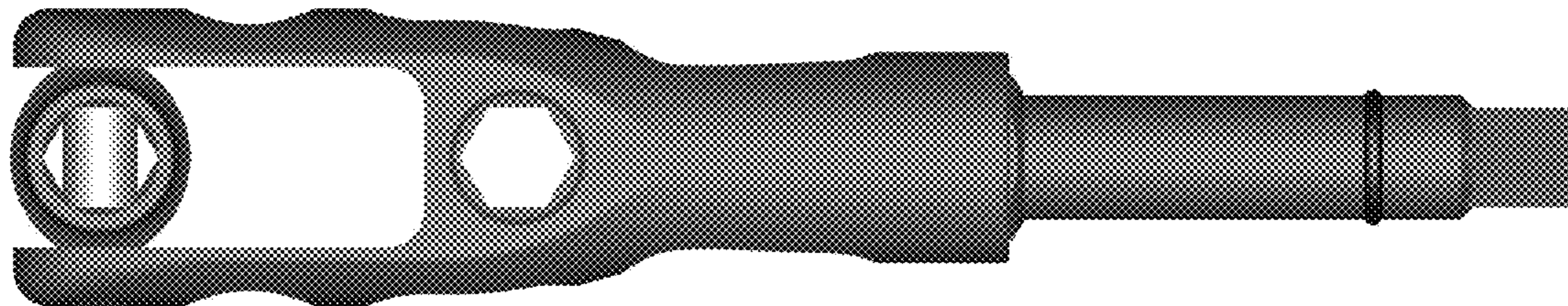
FIG. 9 is a right side isometric view of an ornamental design for a configurable multipurpose tool of the present invention in a second configuration;

FIG. 10 is a left side isometric view of an ornamental design for a configurable multipurpose tool of the present invention in a second configuration;

FIG. 11 is a front end isometric view of an ornamental design for a configurable multipurpose tool of the present invention in a third configuration; and,

FIG. 12 is a rear end isometric view of an ornamental design for a configurable multipurpose tool of the present invention in a third configuration.

**1 Claim, 12 Drawing Sheets**



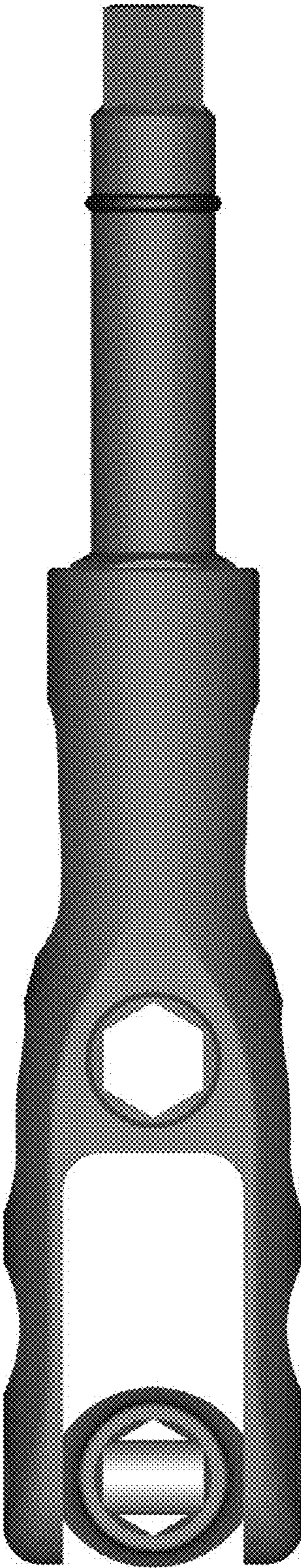


FIGURE 1

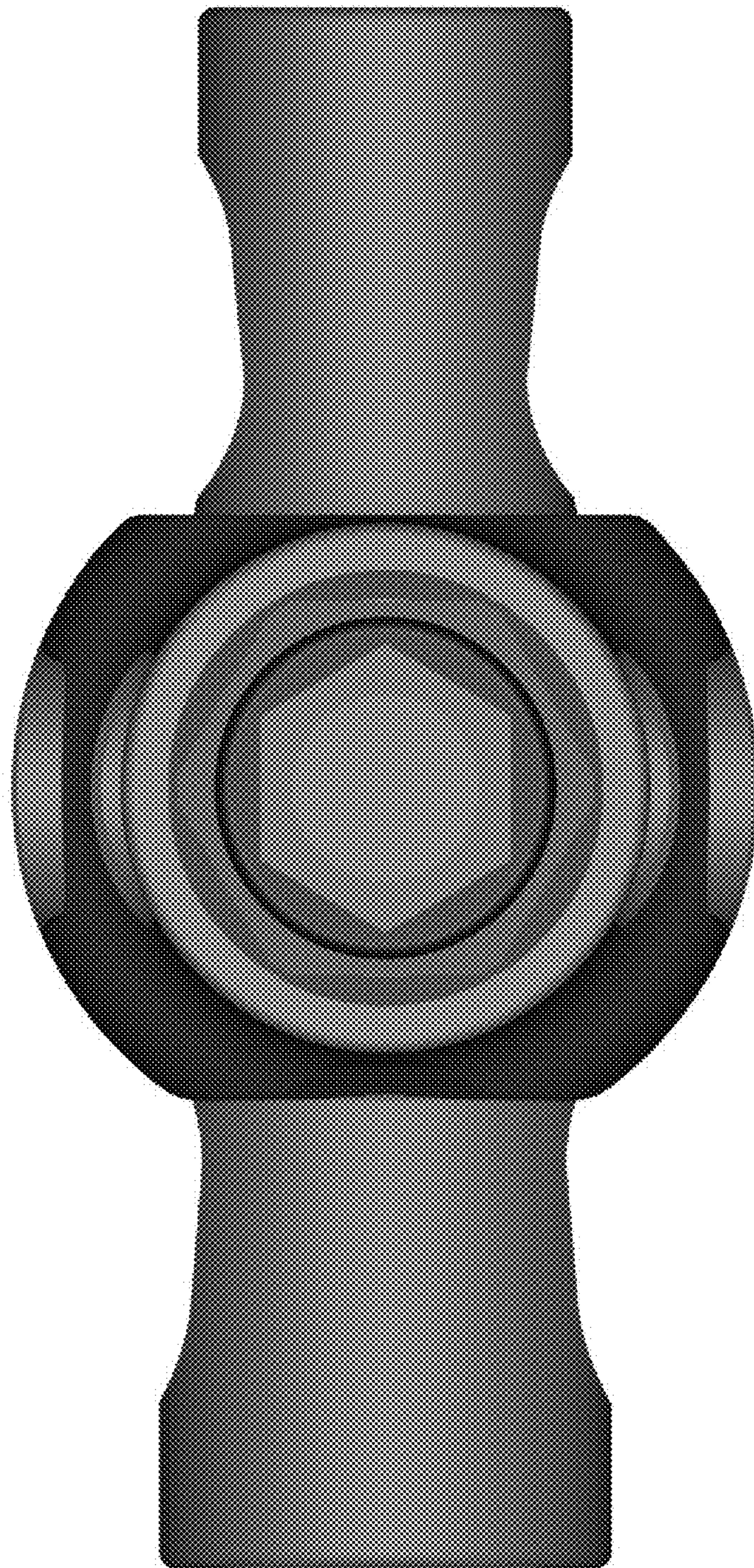


FIGURE 2

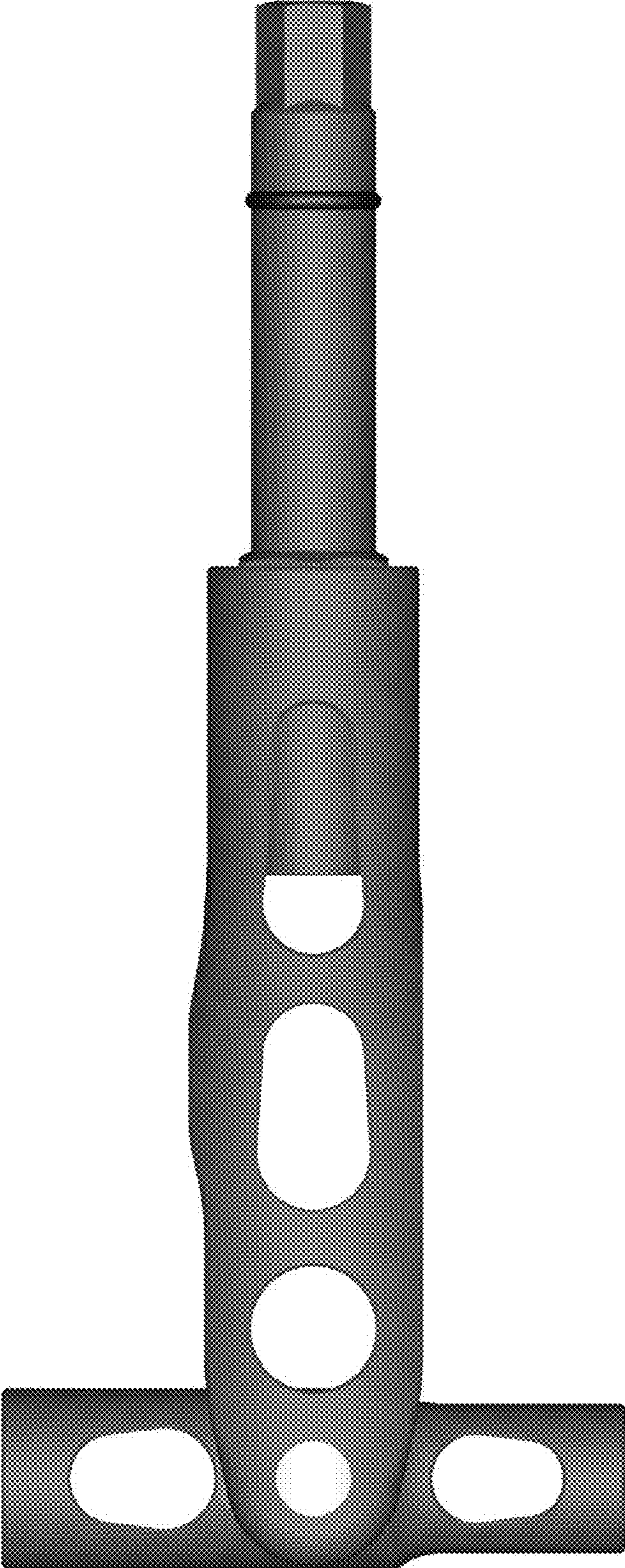


FIGURE 3

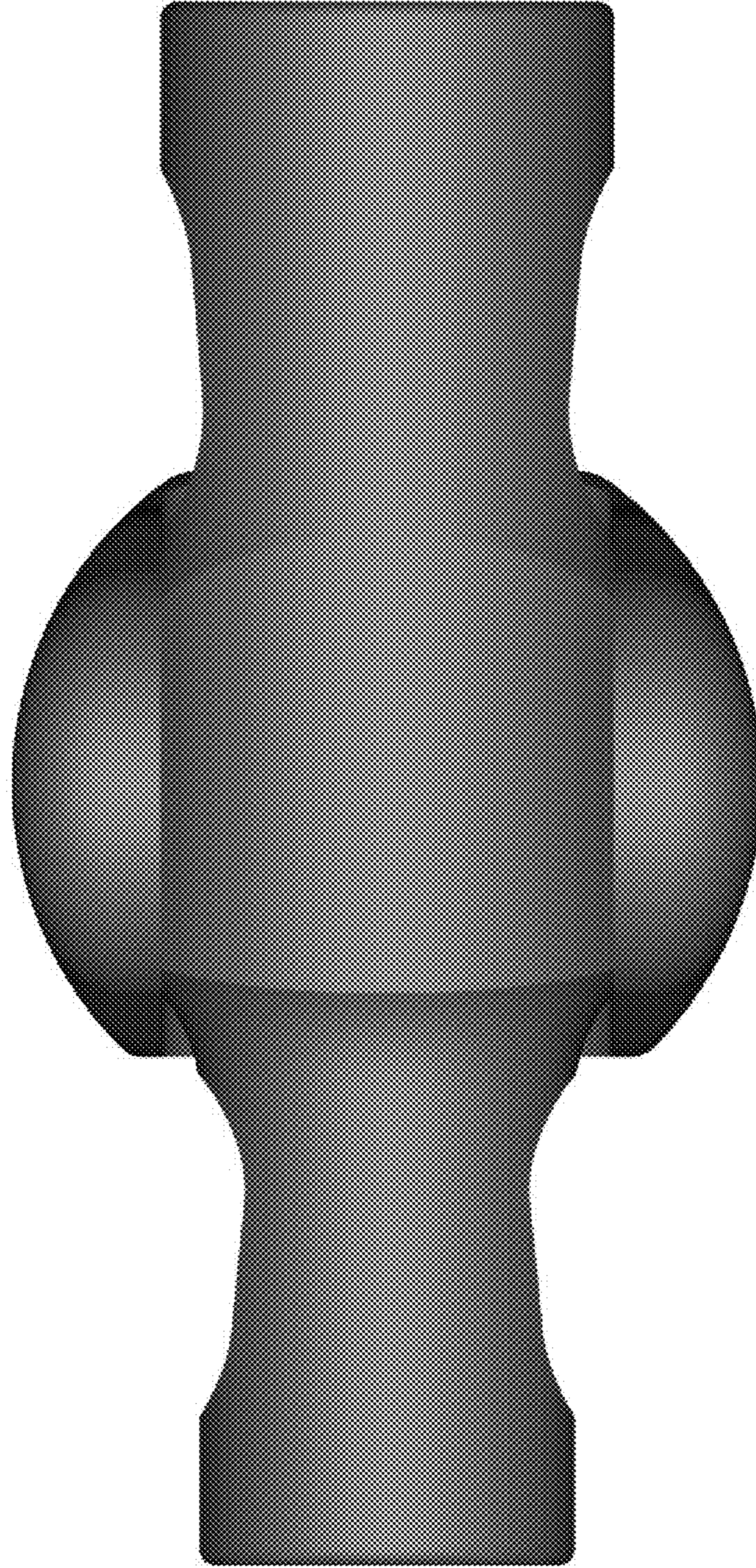


FIGURE 4

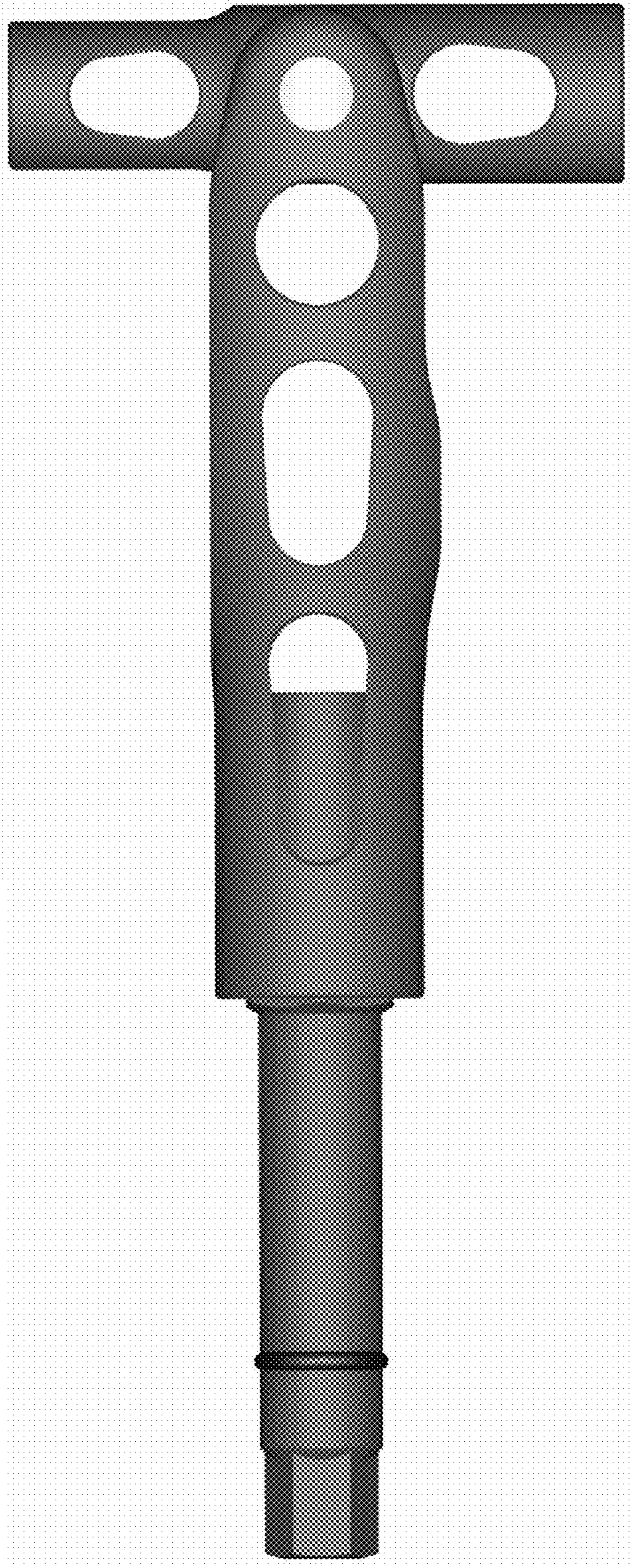


FIGURE 5

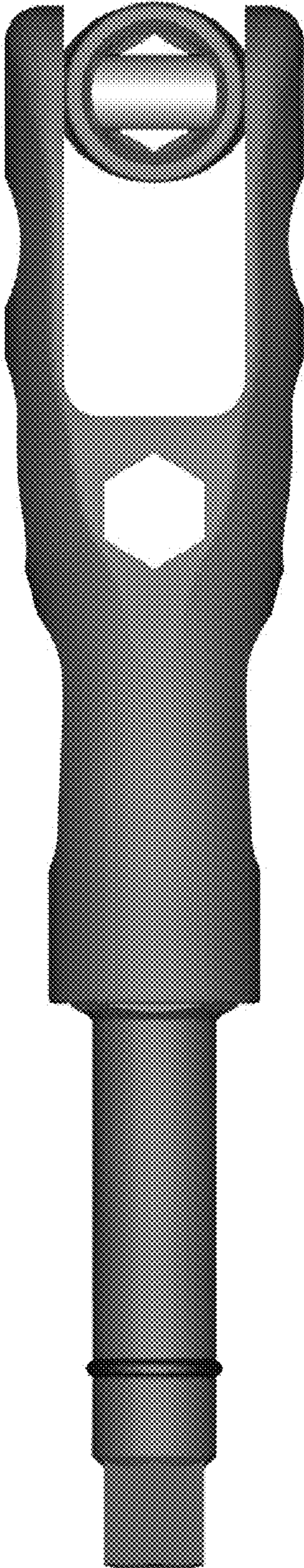


FIGURE 6



FIGURE 7





FIGURE 8

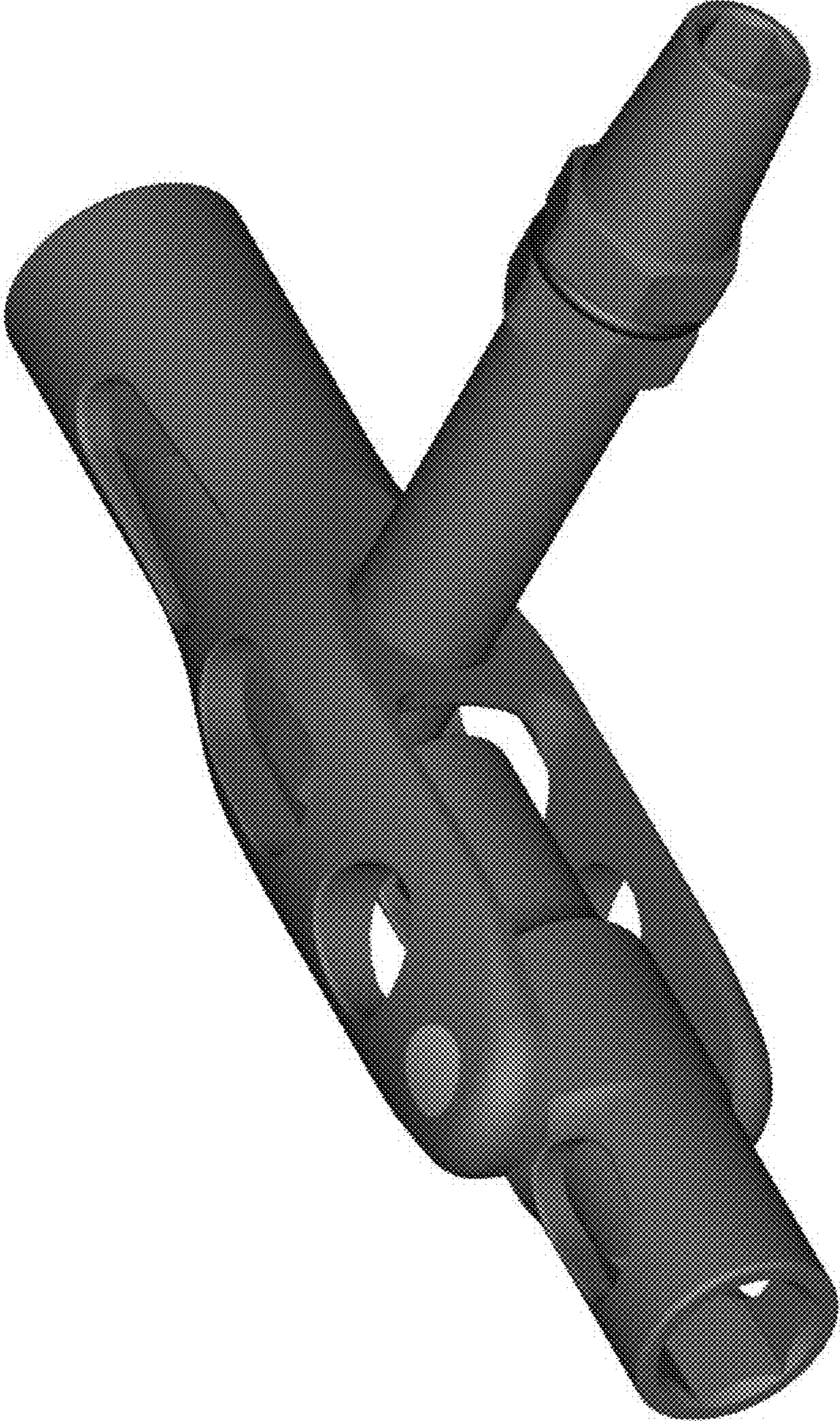


FIGURE 9

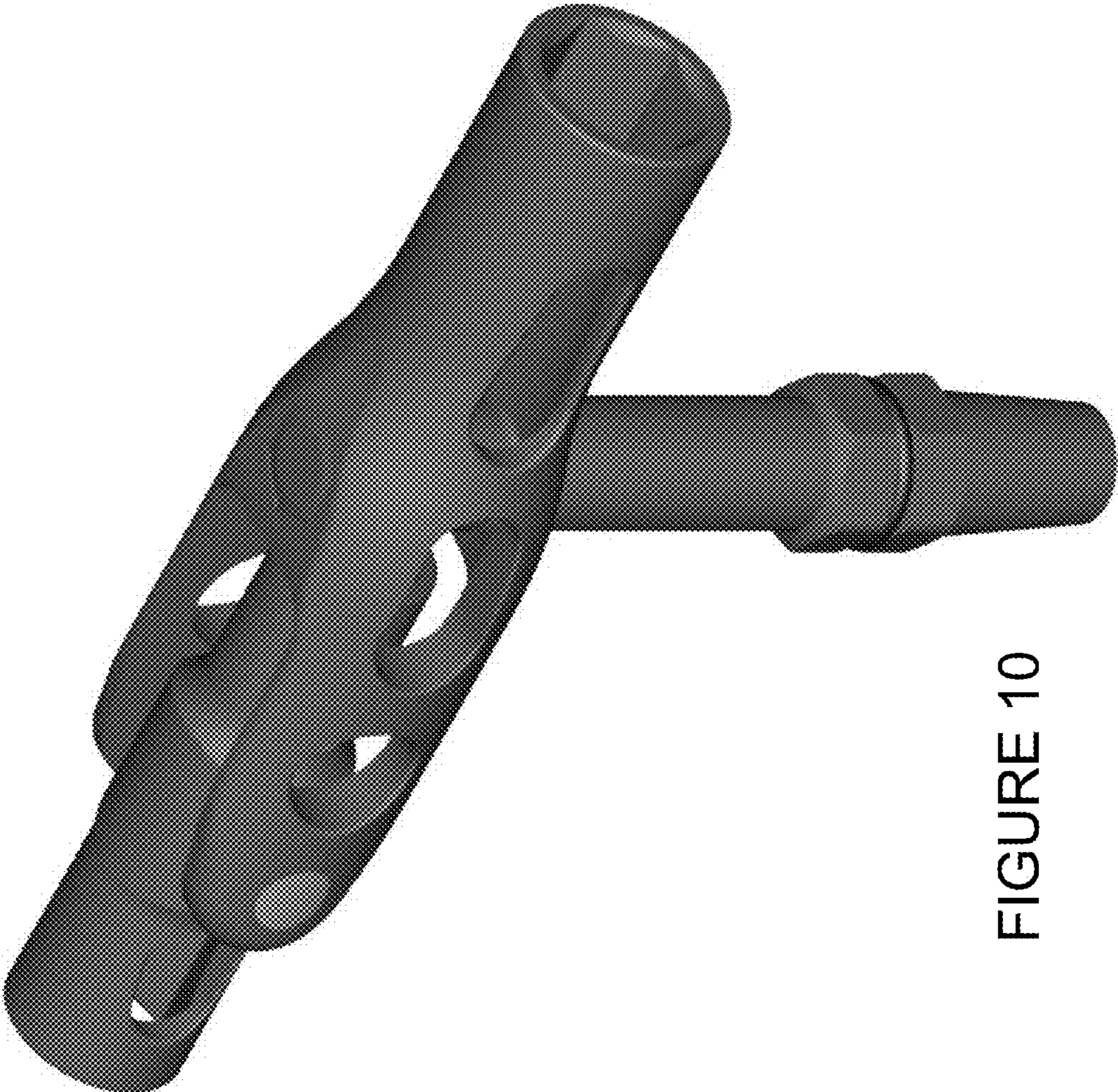


FIGURE 10

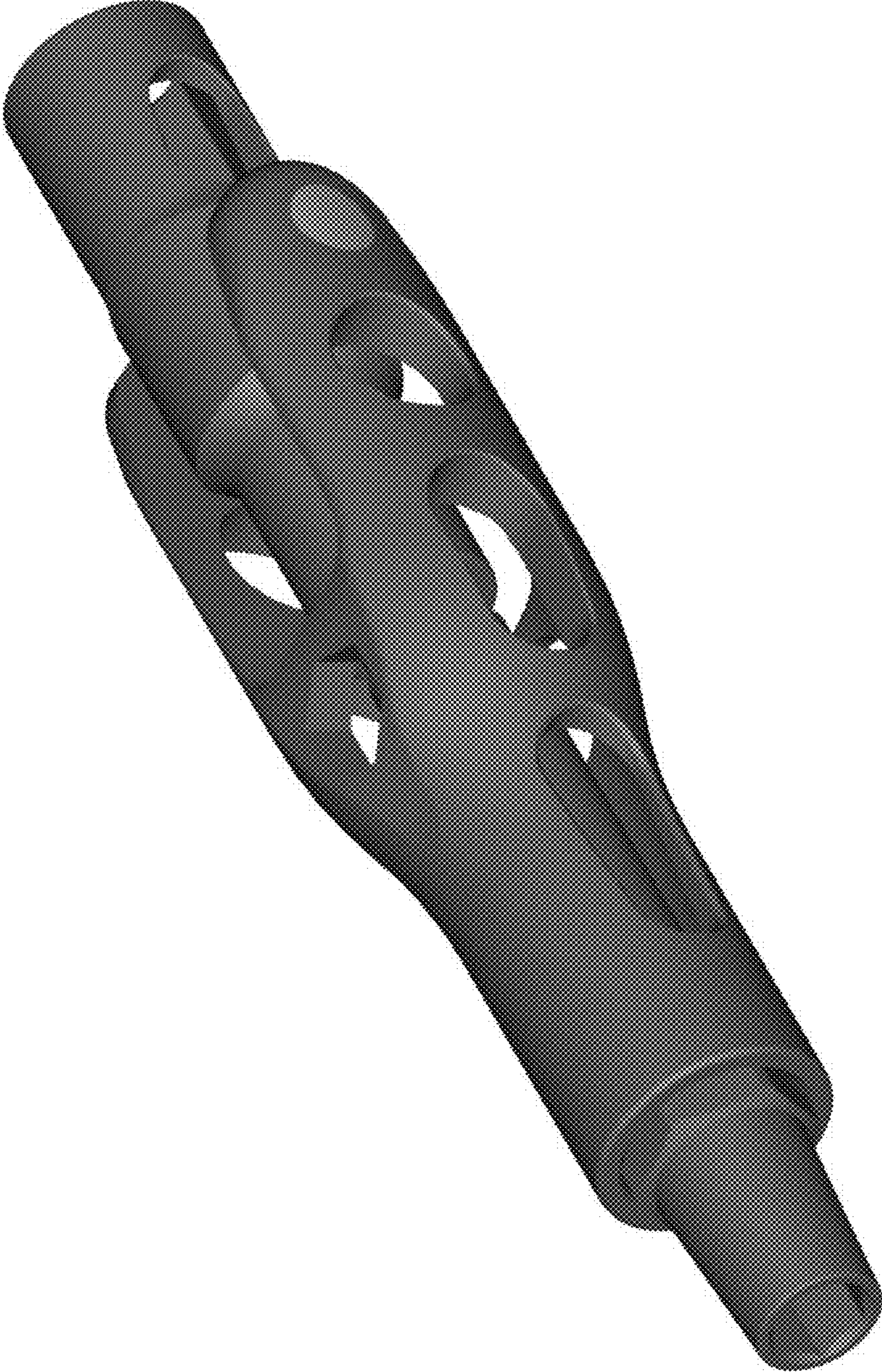


FIGURE 11



FIGURE 12