



US00D771450S

(12) **United States Design Patent** (10) **Patent No.:** **US D771,450 S**
Maille et al. (45) **Date of Patent:** **** Nov. 15, 2016**

(54) **SEAFOOD SHEARS**

(71) Applicants: **Michel Maille**, Saint-Basille (CA);
Fred Hollinger, Monroe Township, NJ
(US)

(72) Inventors: **Michel Maille**, Saint-Basille (CA);
Fred Hollinger, Monroe Township, NJ
(US)

(**) Term: **14 Years**

(21) Appl. No.: **29/512,895**

(22) Filed: **Dec. 23, 2014**

(51) **LOC (10) Cl.** **07-06**

(52) **U.S. Cl.**
USPC **D7/693; D8/57**

(58) **Field of Classification Search**
USPC D7/693; D8/4, 48, 51-59, 93; D24/146;
30/122, 135, 262, 266, 232-234;
606/208

CPC A61B 17/29; A01G 3/02; B26B 13/18;
B26B 13/20; B26B 13/28; B23D 29/023
See application file for complete search history.

(56) **References Cited**

U.S. PATENT DOCUMENTS

D34,097 S *	2/1901	Smith	30/259
D161,004 S *	11/1950	Cook	D11/1
D195,083 S *	4/1963	Stehl	D8/57
D276,975 S *	1/1985	Wordtmann	7/131
D282,047 S *	1/1986	Cerutti	D8/57
D285,166 S *	8/1986	Lee	D8/55
D337,248 S *	7/1993	Tanfoglio	D8/57

D381,882 S *	8/1997	McDonald	D8/57
D484,378 S *	12/2003	Bodum	D8/57
2002/0019207 A1 *	2/2002	Maille	A22C 29/024 452/17

OTHER PUBLICATIONS

Amazon. Norpro Ultimate Stainless Steel and Red Seafood Shears. Publication Date Unknown. [Site Visited Jan. 20, 2016]. Available on the Internet URL: <<http://www.amazon.com/Norpro-Ultimate-Stainless-Seafood-Shears/dp/B01698QHN0>>.*

Starfrit Starfrit-Youtube, 92031 Ciseaux crustaces / Seafood scissors, Sep. 14, 2015, [Site Visited Jan. 20, 2016]. Available on the Internet URL: <https://www.youtube.com/watch?v=-i_kCd7eHs>.*

* cited by examiner

Primary Examiner — Susan Bennett Hattan
Assistant Examiner — S. Bryan Reinholdt, Jr.

(57) **CLAIM**

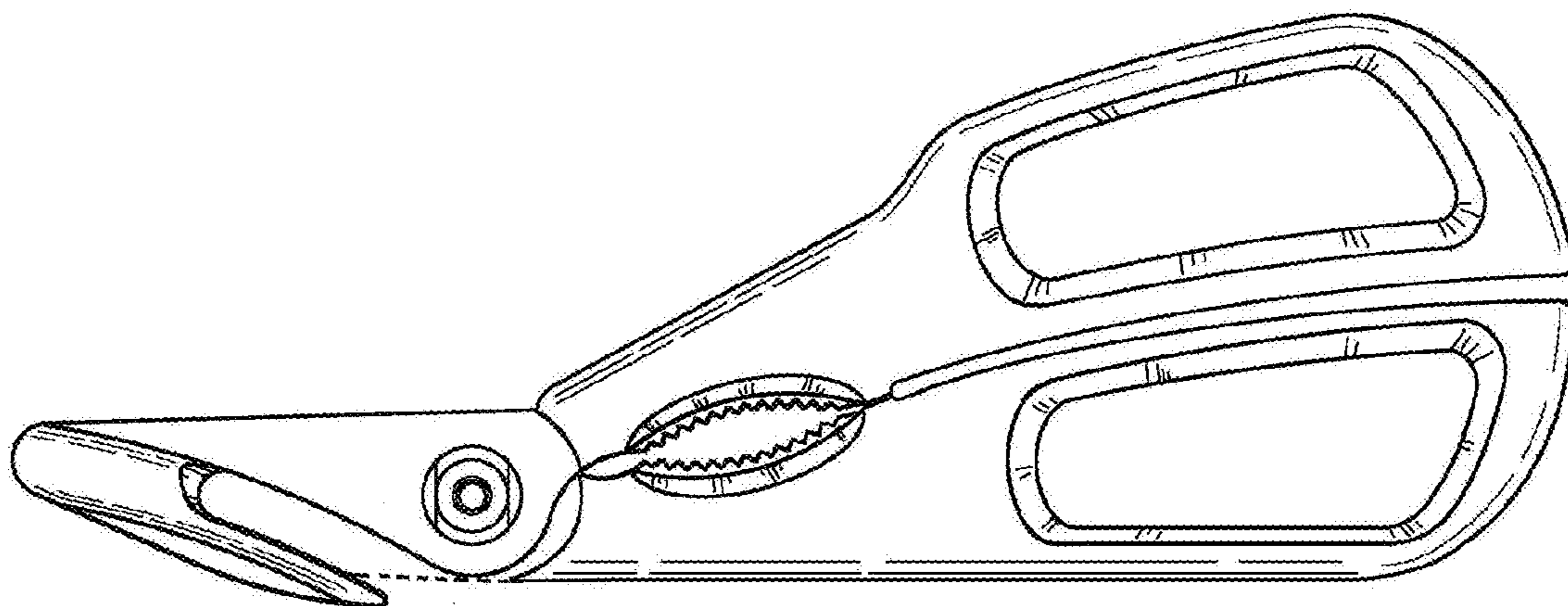
The ornamental design for the seafood shears, as shown and described.

DESCRIPTION

FIG. 1 is a left side perspective view of an ornamental design for the seafood shears of the present invention;
FIG. 2 is a left side view thereof;
FIG. 3 is a top-down view thereof;
FIG. 4 is a bottom-up view thereof;
FIG. 5 is a front view thereof; and,
FIG. 6 is a rear view thereof.

The broken line portions of the figure drawings are included to show portions of the article that form no path of the claimed design.

1 Claim, 6 Drawing Sheets



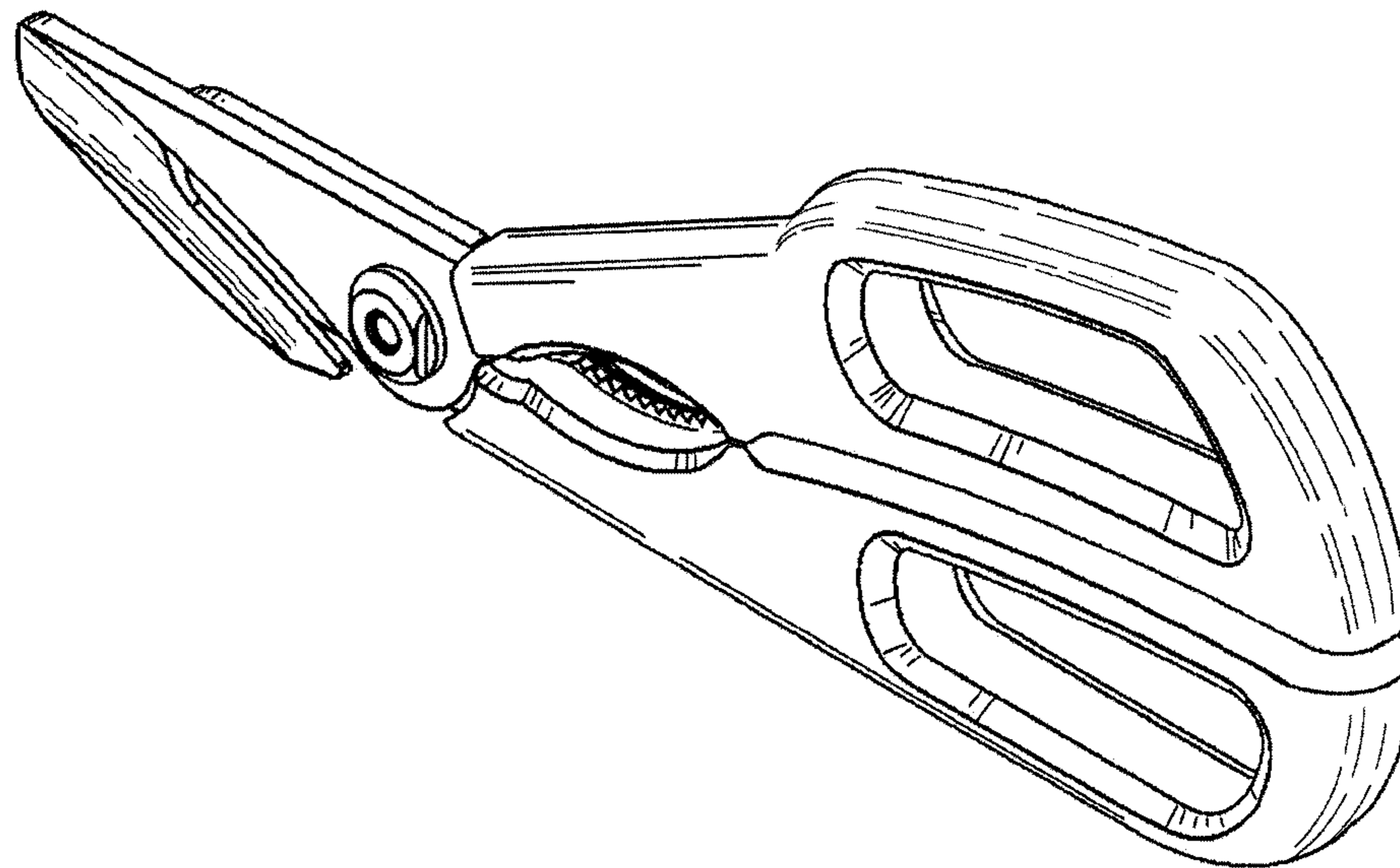


Fig. 1

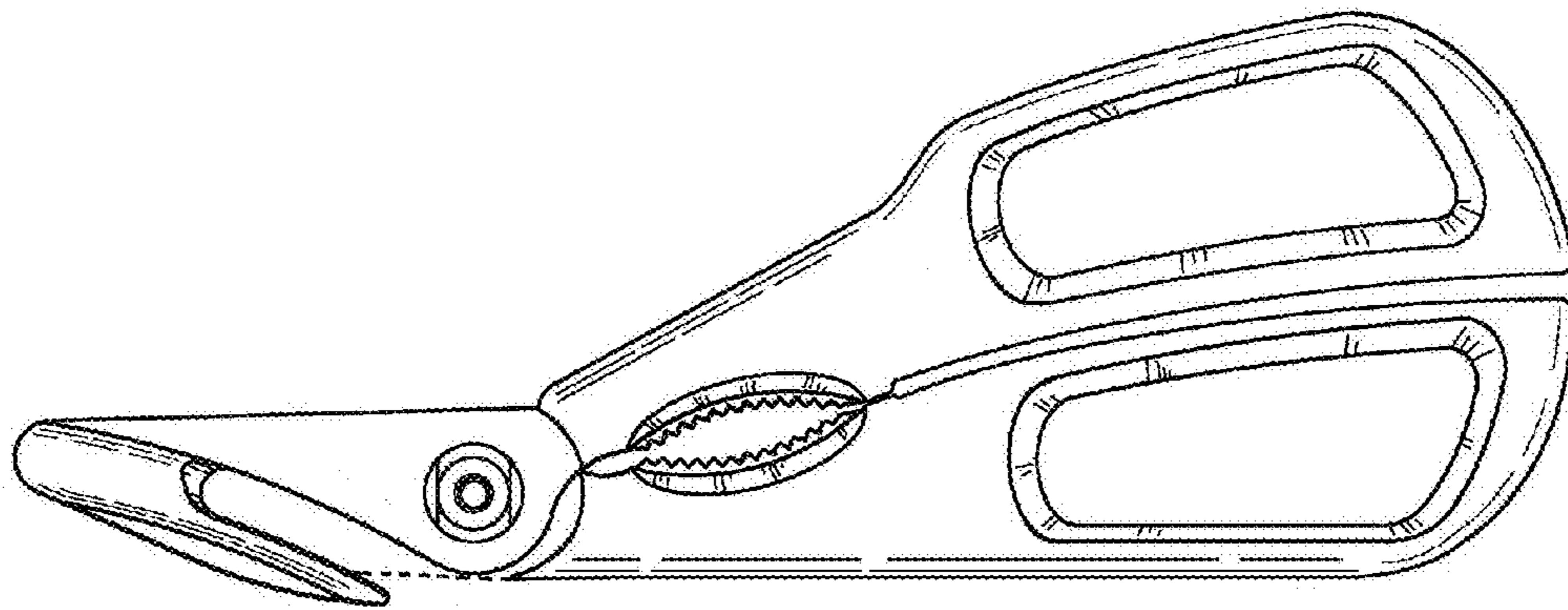


Fig. 2

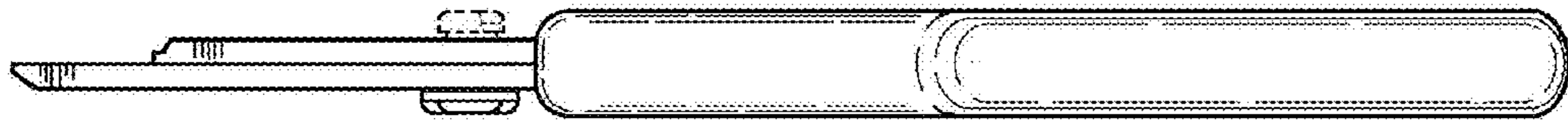


Fig. 3

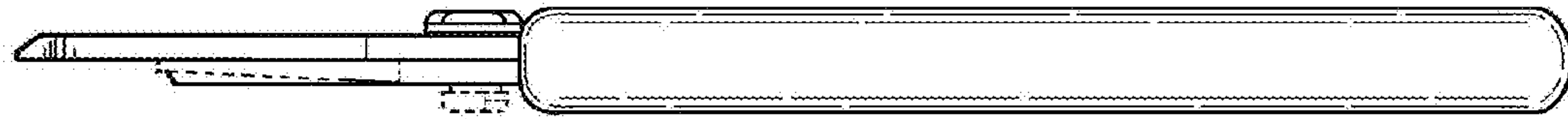


Fig. 4

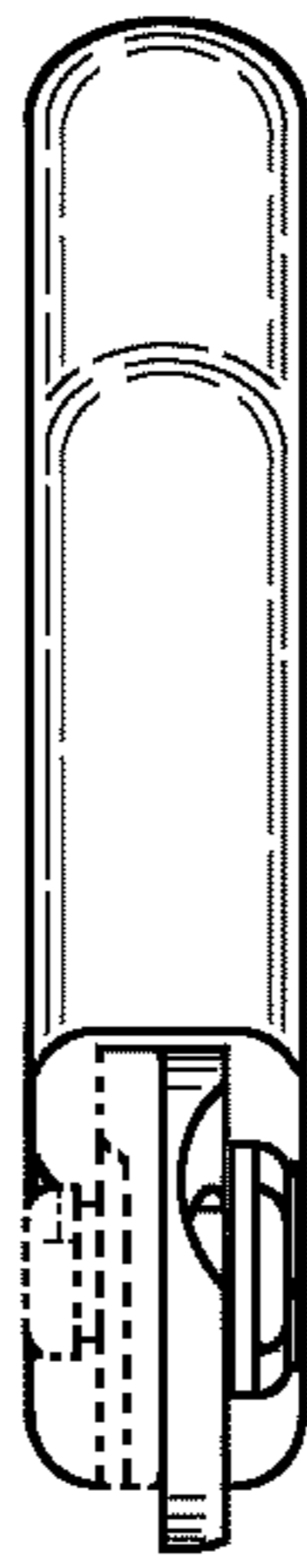


Fig. 5

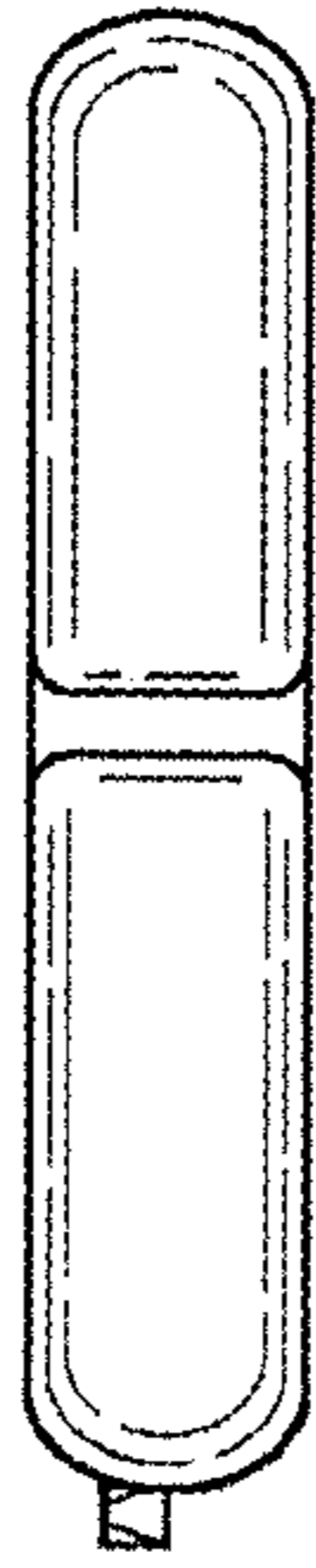


Fig. 6