



US00D771448S

(12) **United States Design Patent** (10) **Patent No.:** **US D771,448 S**  
**Fugett** (45) **Date of Patent:** **\*\* Nov. 15, 2016**

(54) **SPATULA**

(71) Applicant: **Jack Fugett**, Mokena, IL (US)

(72) Inventor: **Jack Fugett**, Mokena, IL (US)

(\*\*) Term: **14 Years**

(21) Appl. No.: **29/517,287**

(22) Filed: **Feb. 11, 2015**

(51) **LOC (10) Cl.** ..... **07-04**

(52) **U.S. Cl.**  
USPC ..... **D7/688**

(58) **Field of Classification Search**

USPC ..... D7/669, 680-696, 642-664  
CPC .... B01F 7/00316; F01D 5/147; A47L 13/08;  
A47L 1/06; A47J 43/283; A47J 43/288;  
B67B 7/38

See application file for complete search history.

(56) **References Cited**

U.S. PATENT DOCUMENTS

D203,616 S 2/1966 Hvale  
3,877,143 A \* 4/1975 Montesi ..... A47G 21/045  
294/7

(Continued)

*Primary Examiner* — Terry Wallace

(74) *Attorney, Agent, or Firm* — Quarles & Brady LLP;  
Erin J. Fox

(57) **CLAIM**

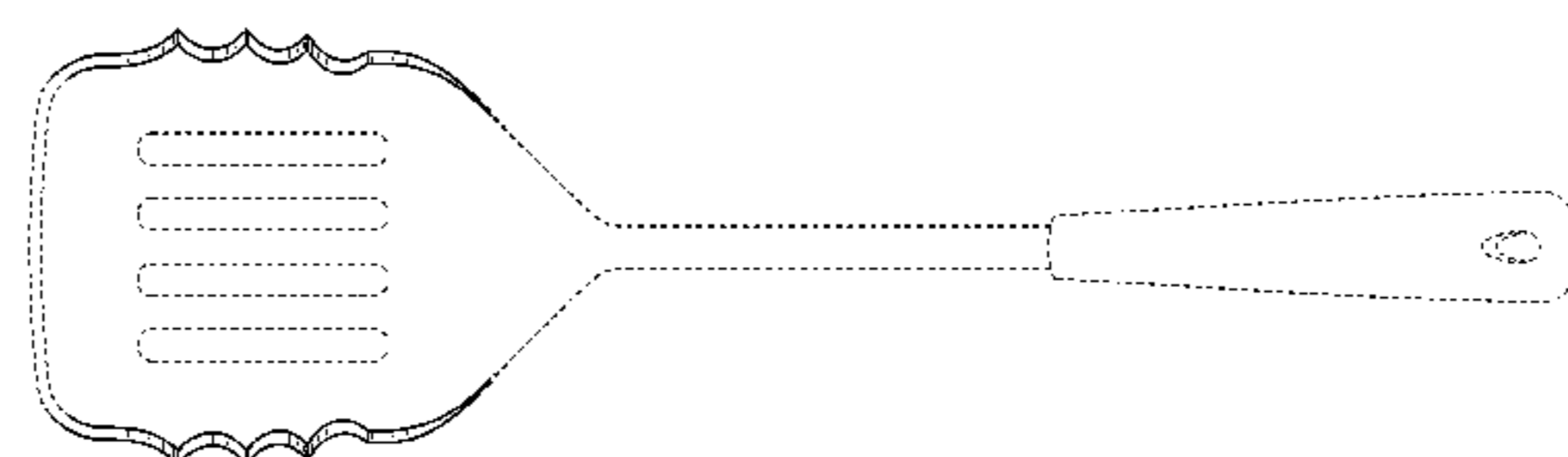
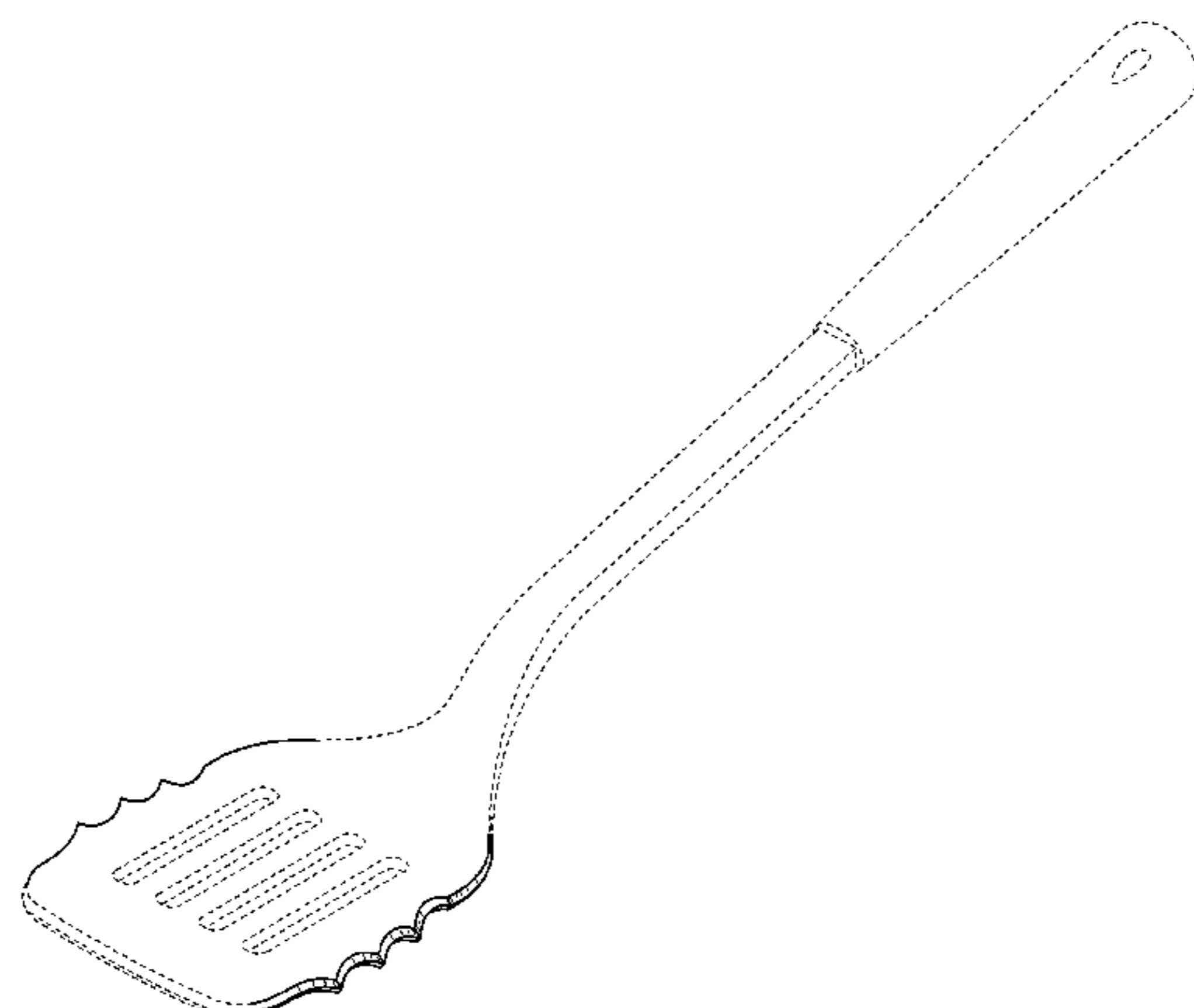
The ornamental design for a spatula, as shown and described.

**DESCRIPTION**

FIG. 1 is an isometric view of a front, top, and a first side of a first embodiment of an ornamental design for a spatula; FIG. 2 is a top elevational view of the spatula of FIG. 1; FIG. 3 is an elevational view of the first side of the spatula of FIG. 1, wherein a second, opposite side of the spatula is a mirror image of the first side; FIG. 4 is a front elevational view of the spatula of FIG. 1; FIG. 5 is an isometric view of a front, top, and a first side of a second embodiment of an ornamental design for a spatula;

FIG. 6 is a top elevational view of the spatula of FIG. 5; FIG. 7 is an elevational view of the first side of the spatula of FIG. 5, wherein a second, opposite side of the spatula is a mirror image of the first side; FIG. 8 is a front elevational view of the spatula of FIG. 5; FIG. 9 is an isometric view of a front, top, and a first side of a third embodiment of an ornamental design for a spatula; FIG. 10 is a top elevational view of the spatula of FIG. 9; FIG. 11 is an elevational view of the first side of the spatula of FIG. 9, wherein a second, opposite side of the spatula is a mirror image of the first side; FIG. 12 is a front elevational view of the spatula of FIG. 9; FIG. 13 is an isometric view of a front, top, and a first side of a fourth embodiment of an ornamental design for a spatula; FIG. 14 is a top elevational view of the spatula of FIG. 13; FIG. 15 is an elevational view of the first side of the spatula of FIG. 13, wherein a second, opposite side of the spatula is a mirror image of the first side; FIG. 16 is a front elevational view of the spatula of FIG. 13; FIG. 17 is an isometric view of a front, top, and a first side of a fifth embodiment of an ornamental design for a spatula; FIG. 18 is a top elevational view of the spatula of FIG. 17; FIG. 19 is an elevational view of the first side of the spatula of FIG. 17, wherein a second, opposite side of the spatula is a mirror image of the first side; FIG. 20 is a front elevational view of the spatula of FIG. 17; FIG. 21 is an isometric view of a front, top, and a first side of a sixth embodiment of an ornamental design for a spatula; FIG. 22 is a top elevational view of the spatula of FIG. 21; FIG. 23 is an elevational view of the first side of the spatula of FIG. 21, wherein a second, opposite side of the spatula is a mirror image of the first side; FIG. 24 is a front elevational view of the spatula of FIG. 21; FIG. 25 is an isometric view of a front, top, and a first side of a seventh embodiment of an ornamental design for a spatula; FIG. 26 is a top elevational view of the spatula of FIG. 25; FIG. 27 is an elevational view of the first side of the spatula of FIG. 25, wherein a second, opposite side of the spatula is a mirror image of the first side; and, FIG. 28 is a front elevational view of the spatula of FIG. 25. The broken lines in the drawings depict environmental subject matter only and form no part of the claimed design.

**1 Claim, 21 Drawing Sheets**



(56)

**References Cited**

U.S. PATENT DOCUMENTS

D272,119 S 1/1984 Steiner  
D316,213 S \* 4/1991 Skerker ..... D7/692  
5,014,434 A \* 5/1991 Skerker ..... A47J 43/288  
294/7  
D318,989 S \* 8/1991 Risner ..... D32/46  
D427,858 S \* 7/2000 Zemel ..... D7/692

D459,163 S \* 6/2002 Rowe ..... D7/692  
D459,638 S \* 7/2002 Wang ..... D7/692  
D481,270 S 10/2003 Siegel et al.  
D545,645 S 7/2007 Lion et al.  
D632,143 S \* 2/2011 Geborek ..... D7/688  
D673,012 S \* 12/2012 Holding ..... D7/692  
D702,095 S 4/2014 Fugett  
D707,089 S 6/2014 Fugett

\* cited by examiner

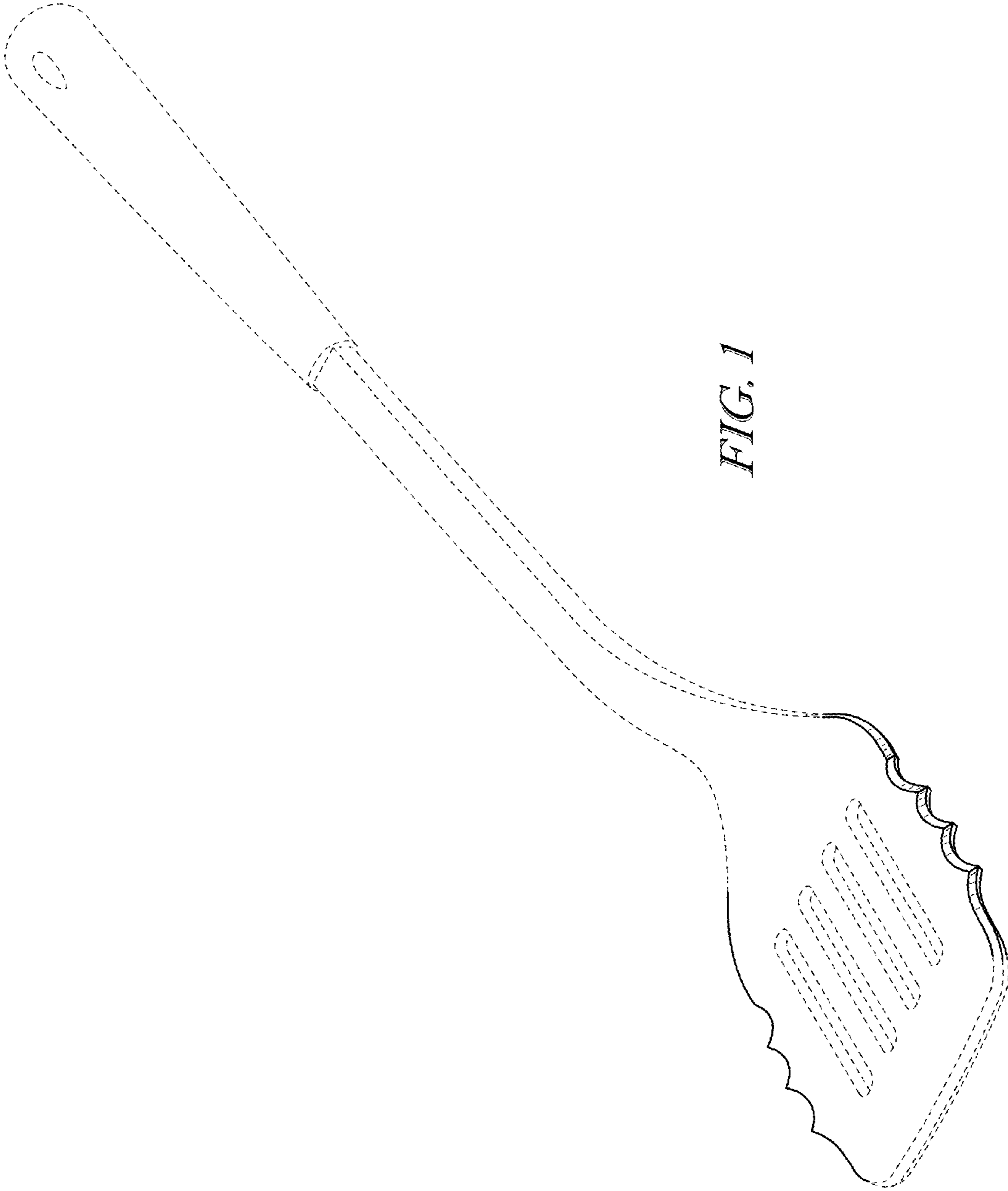
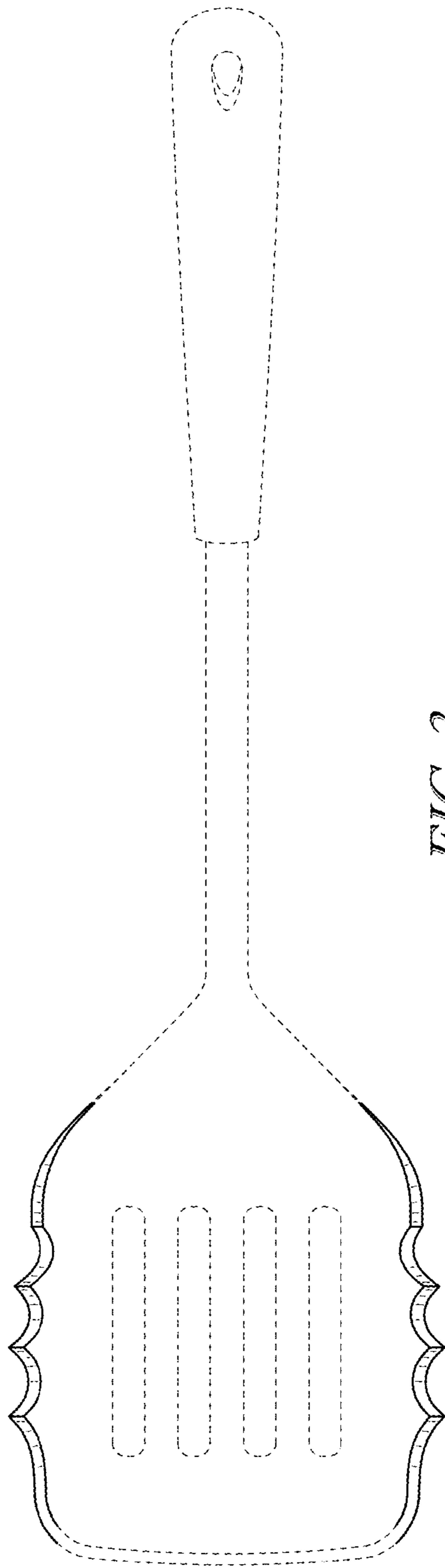
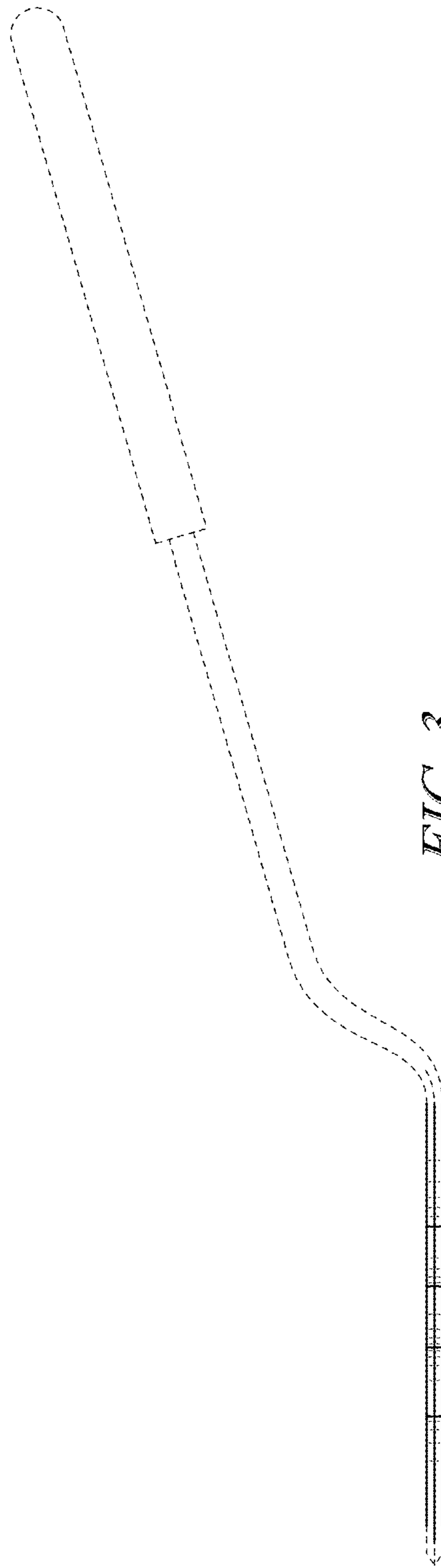


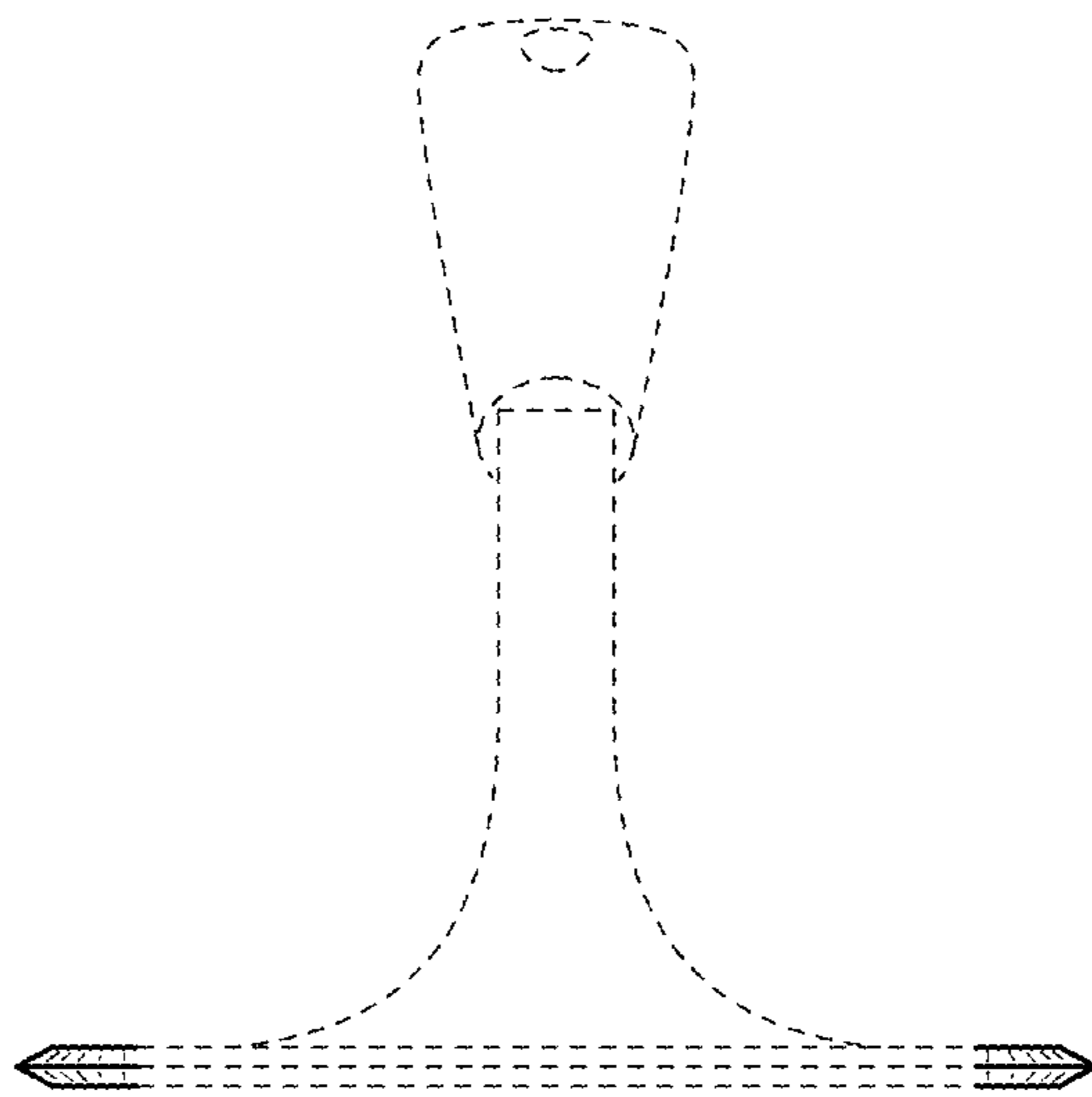
FIG. 1



*FIG. 2*



*FIG. 3*



*FIG. 4*

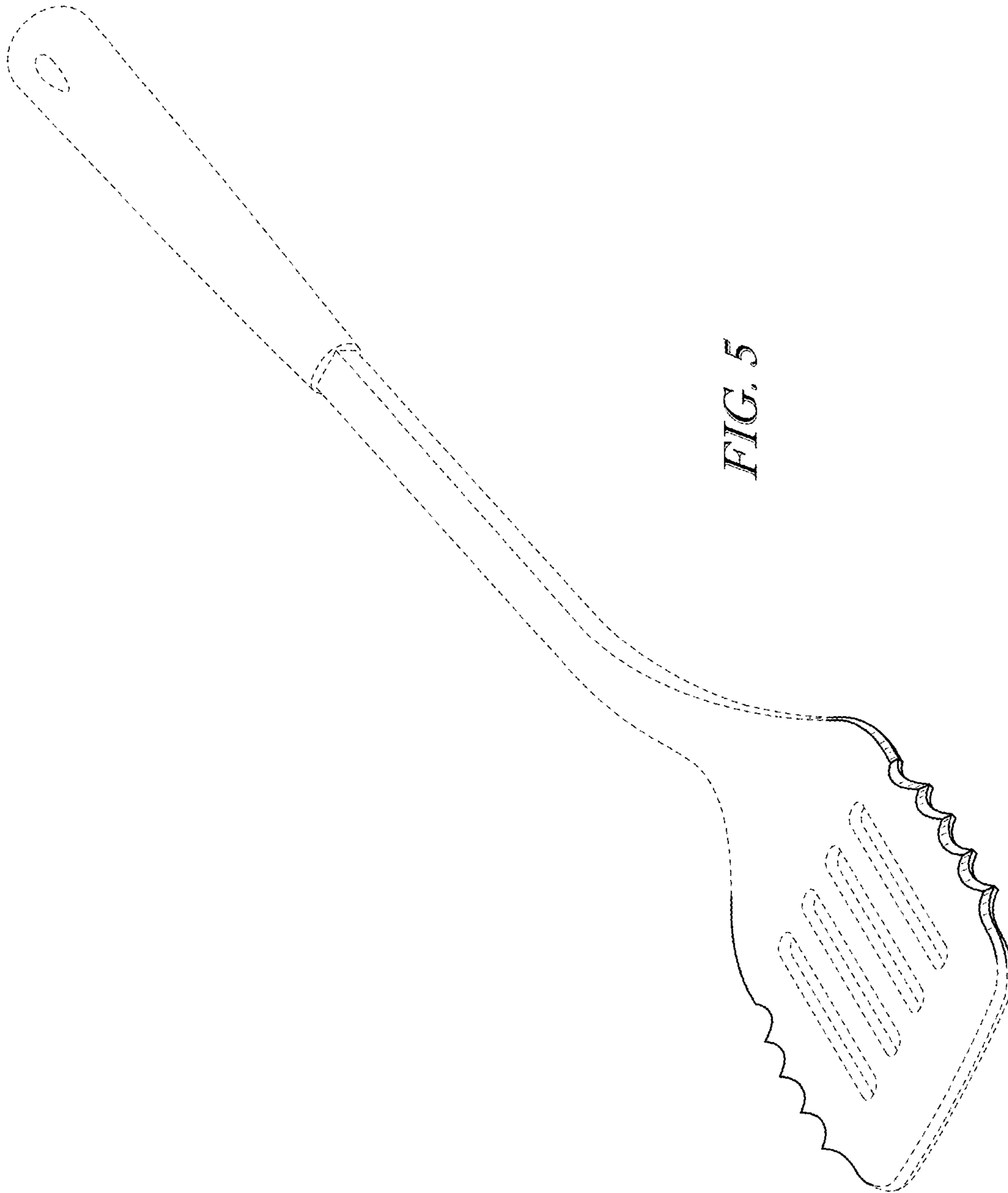
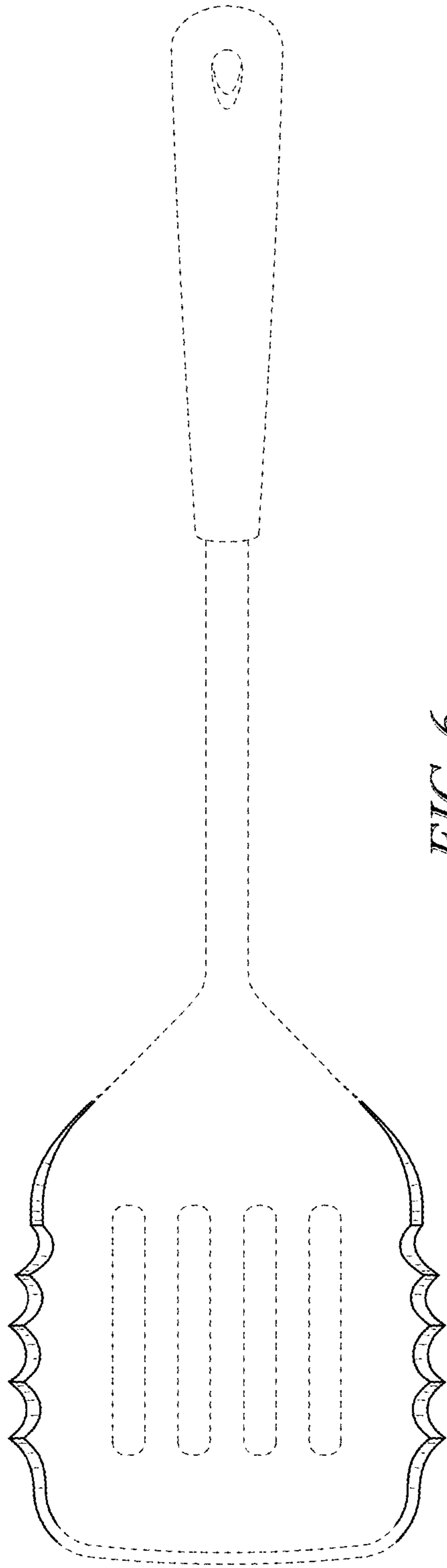
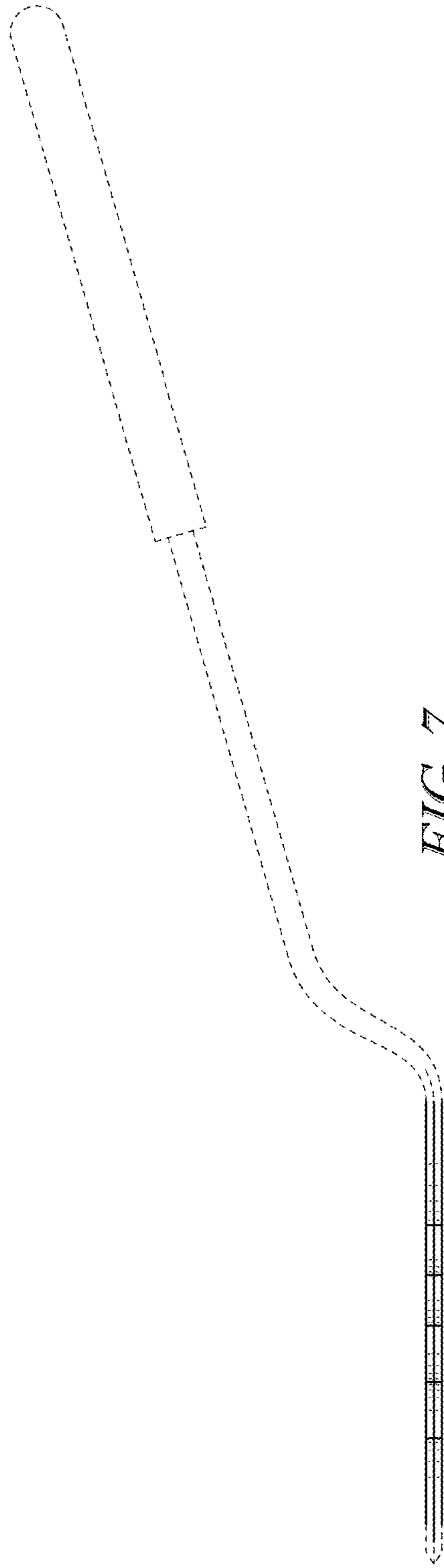


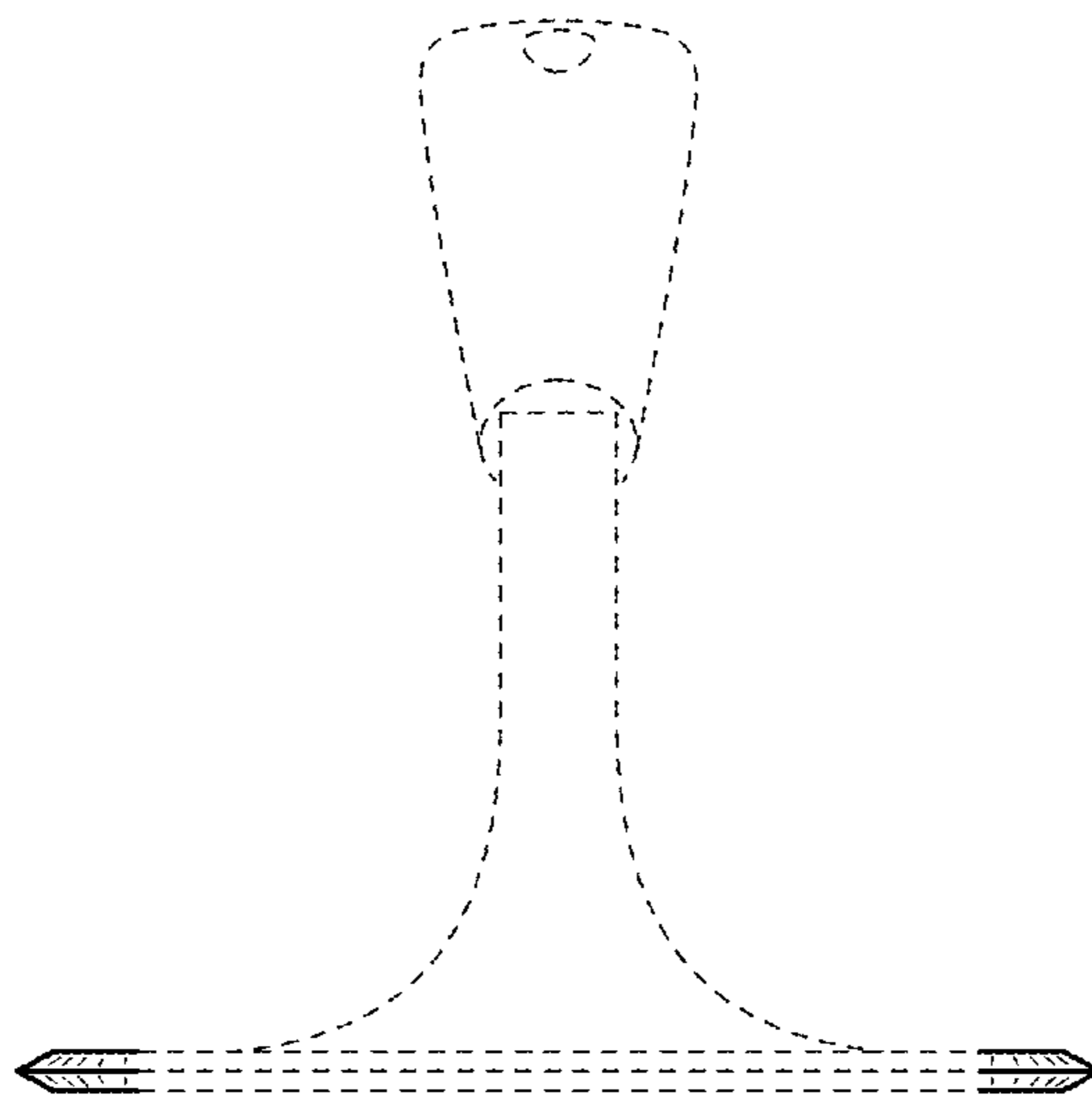
FIG. 5



*FIG. 6*



*FIG. 7*



*FIG. 8*



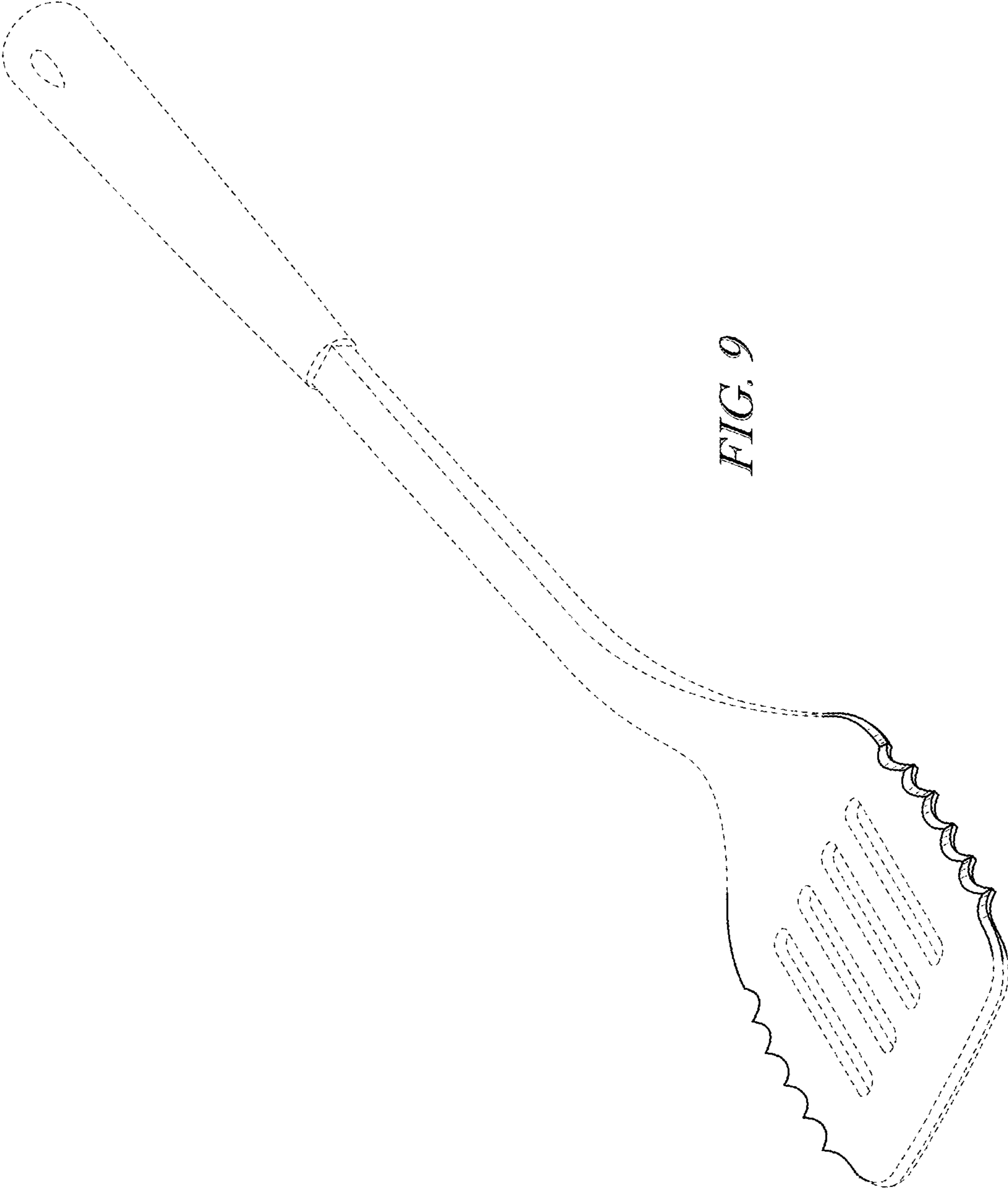
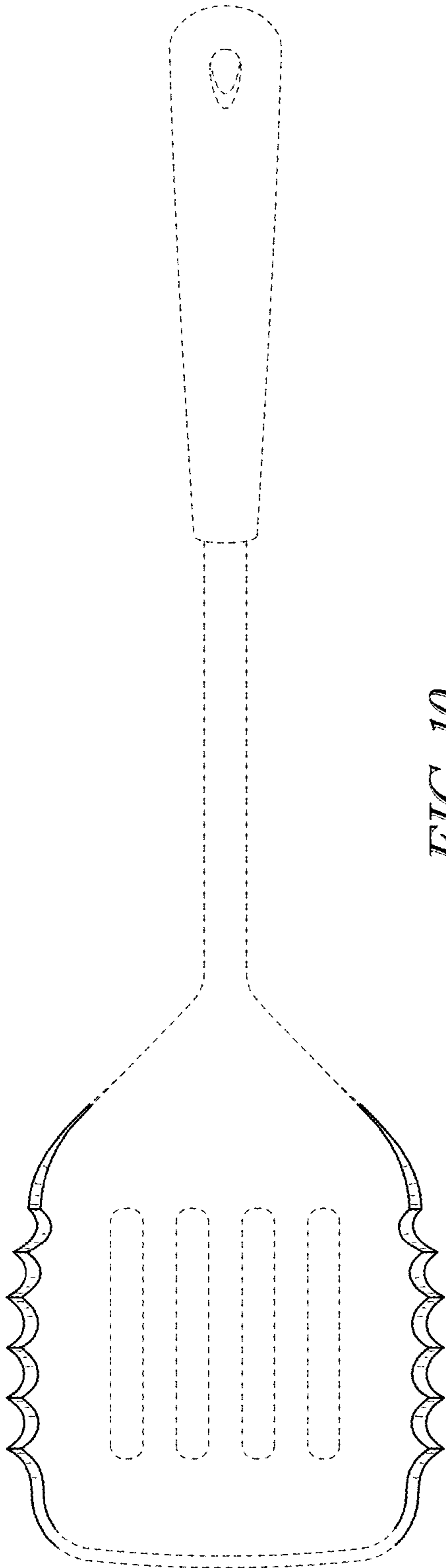
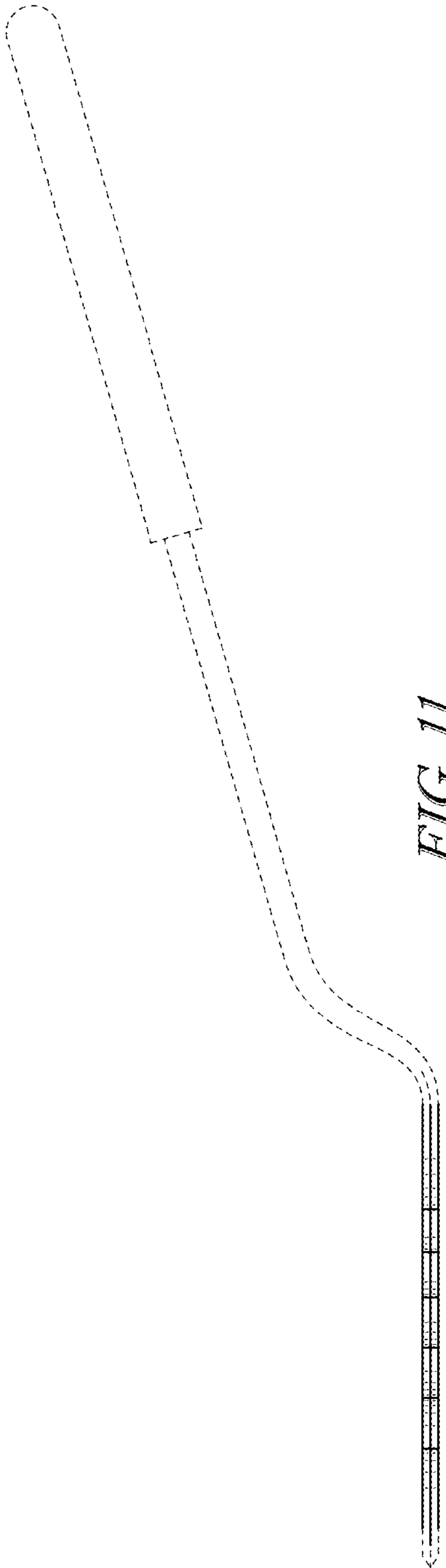


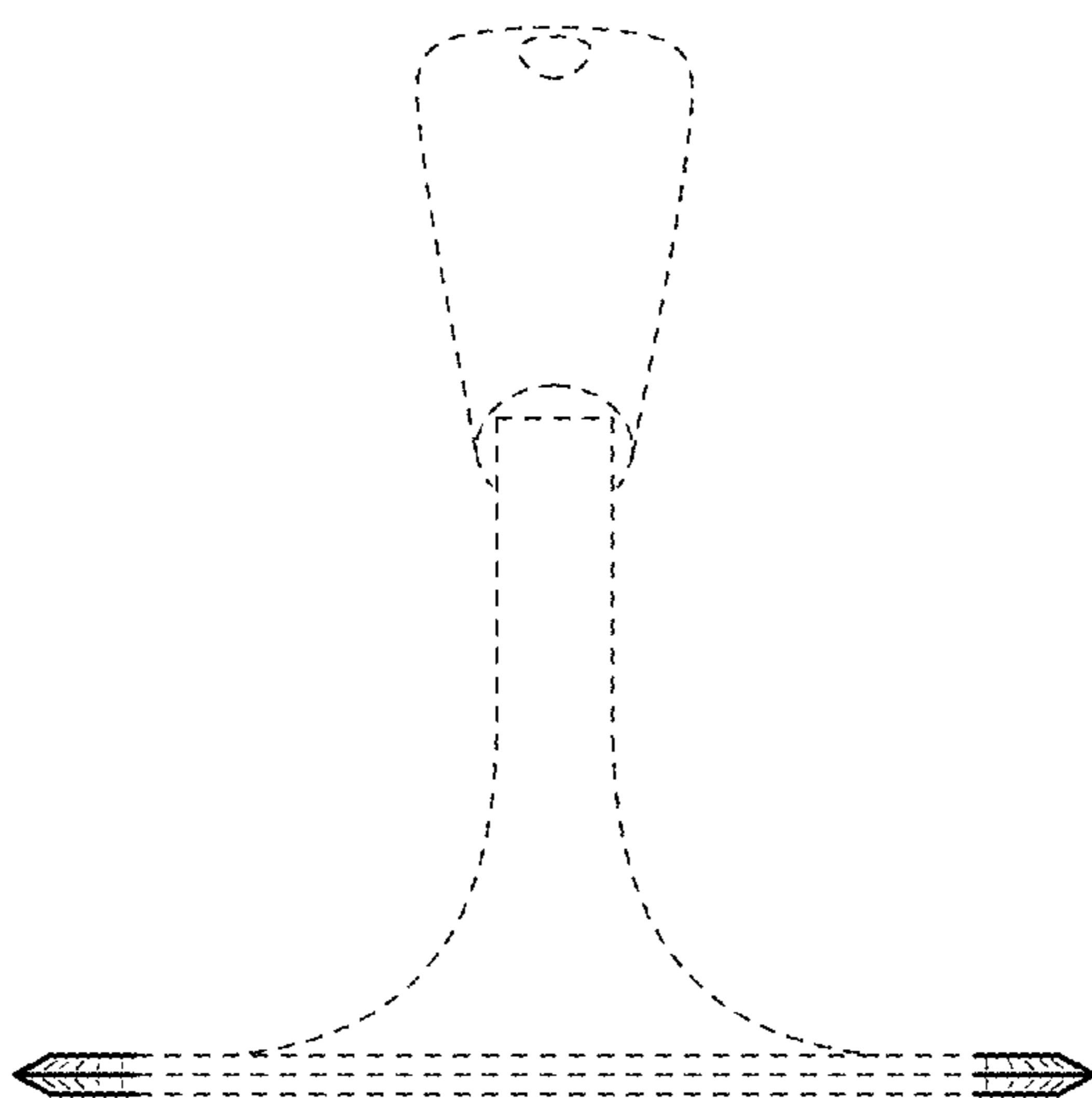
FIG. 9



*FIG. 10*



*FIG. 11*



*FIG. 12*

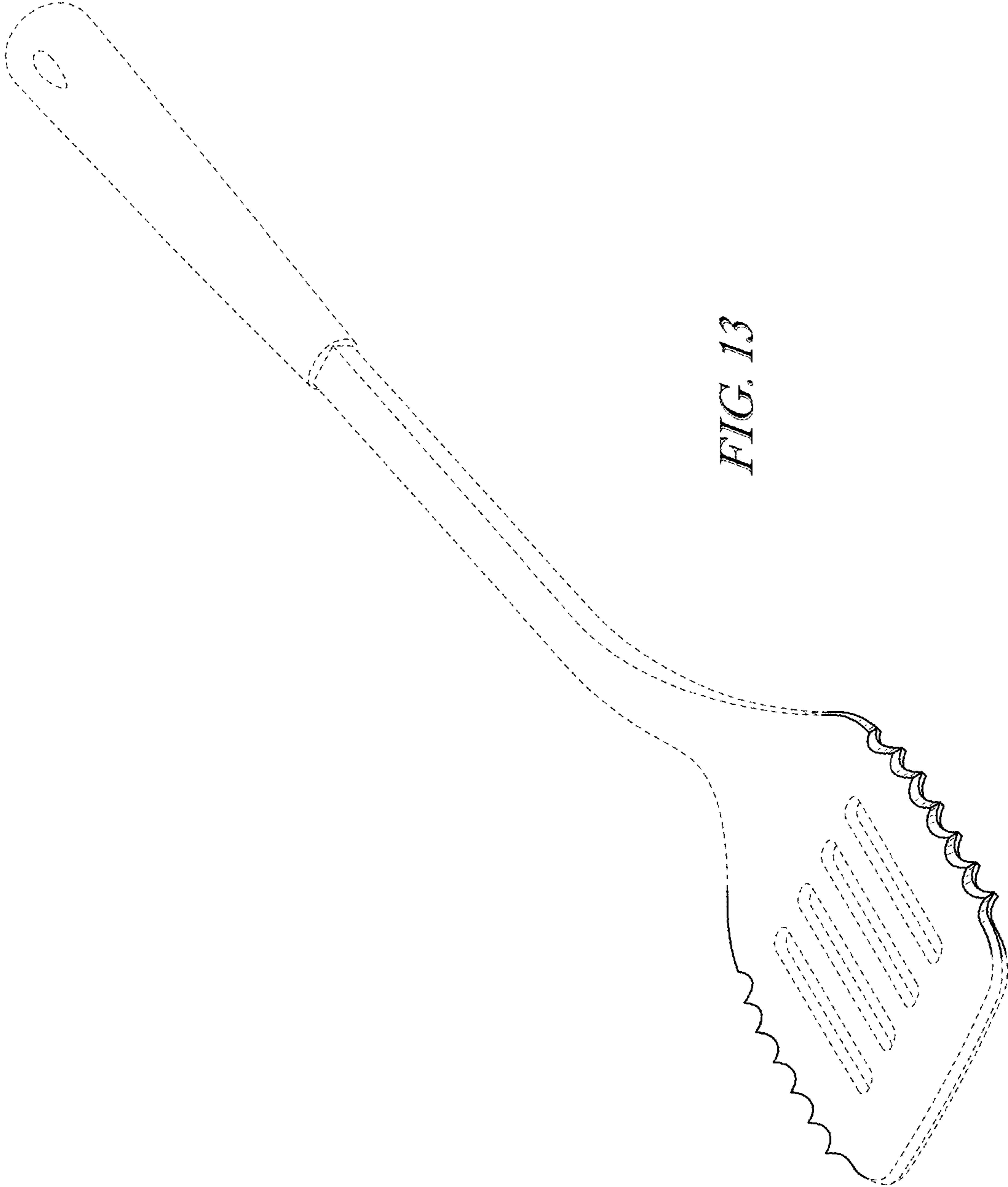
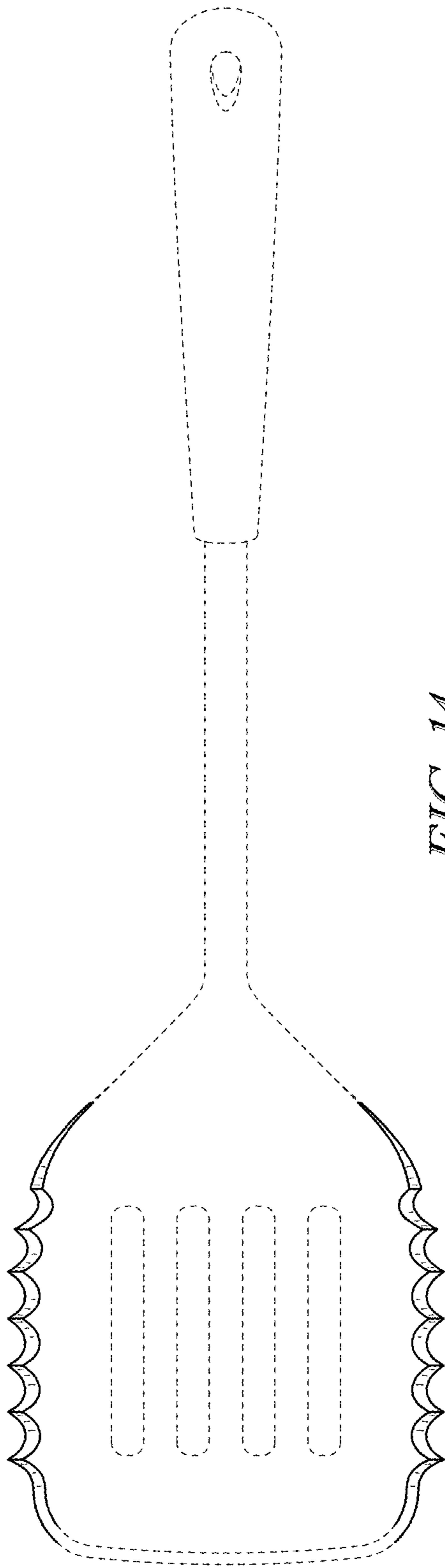
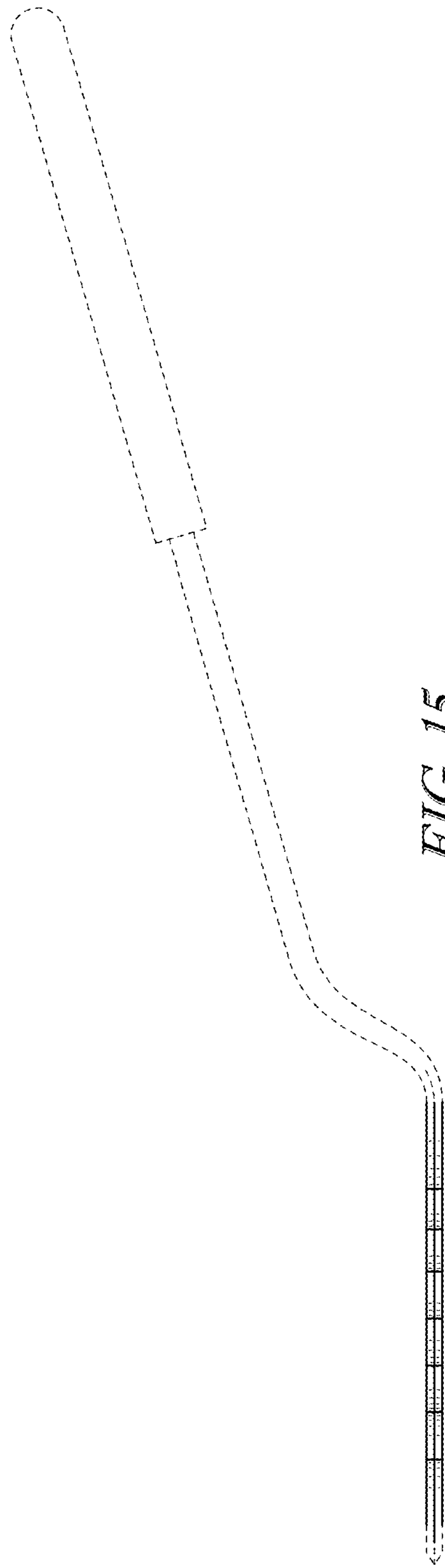


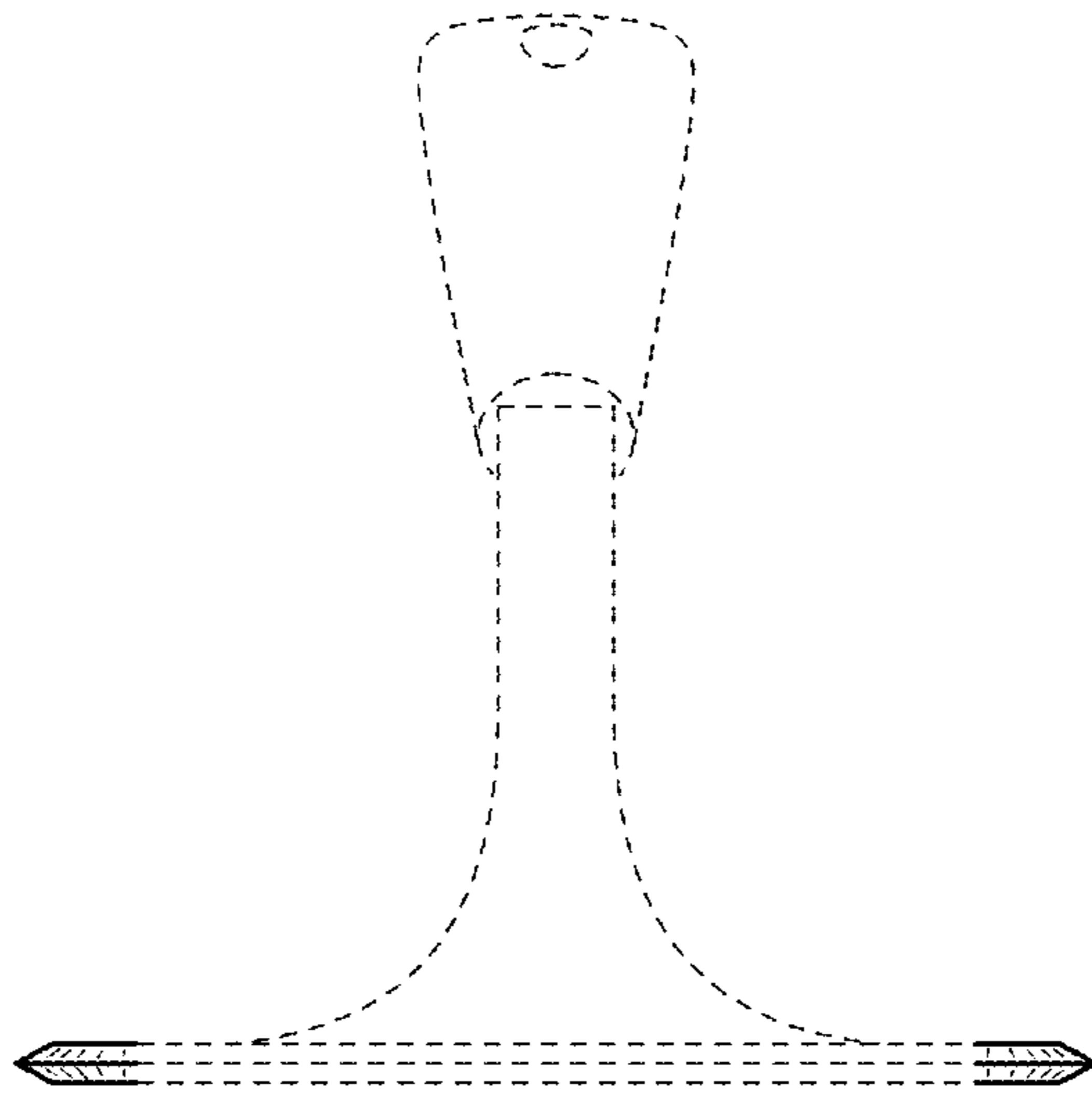
FIG. 13



*FIG. 14*



*FIG. 15*



*FIG. 16*

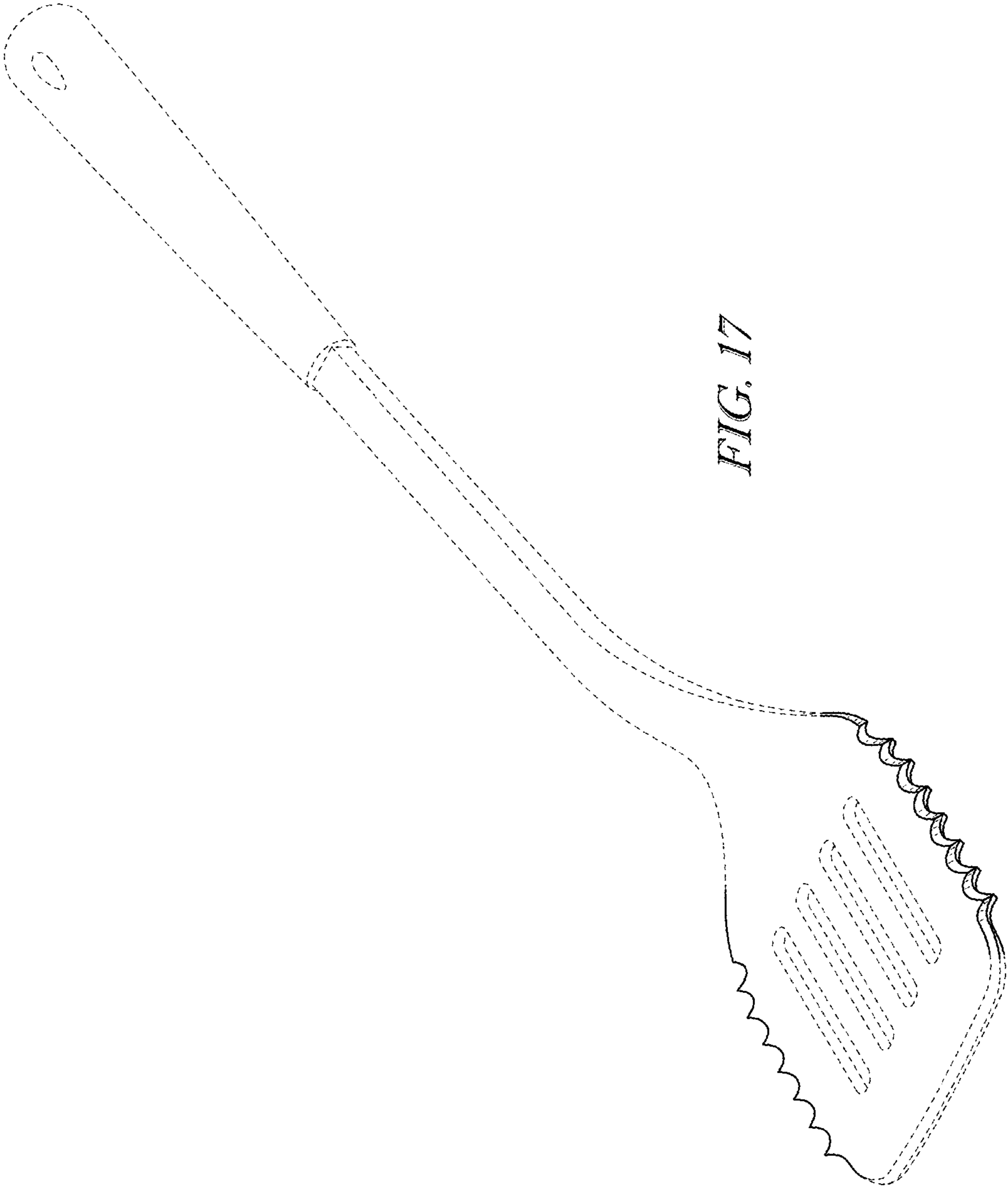


FIG. 17

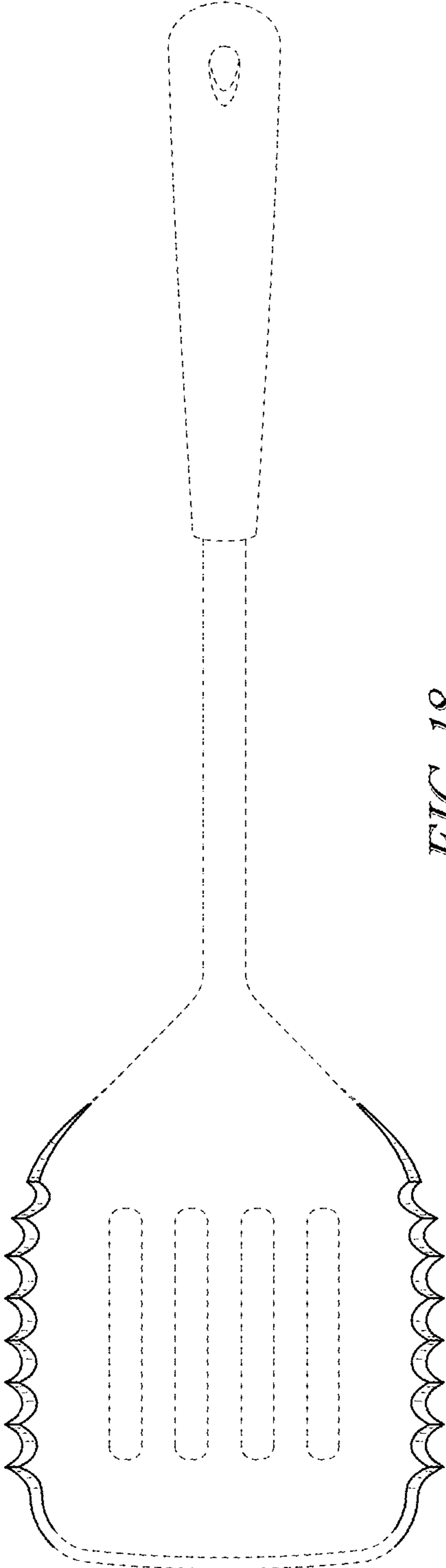


FIG. 18

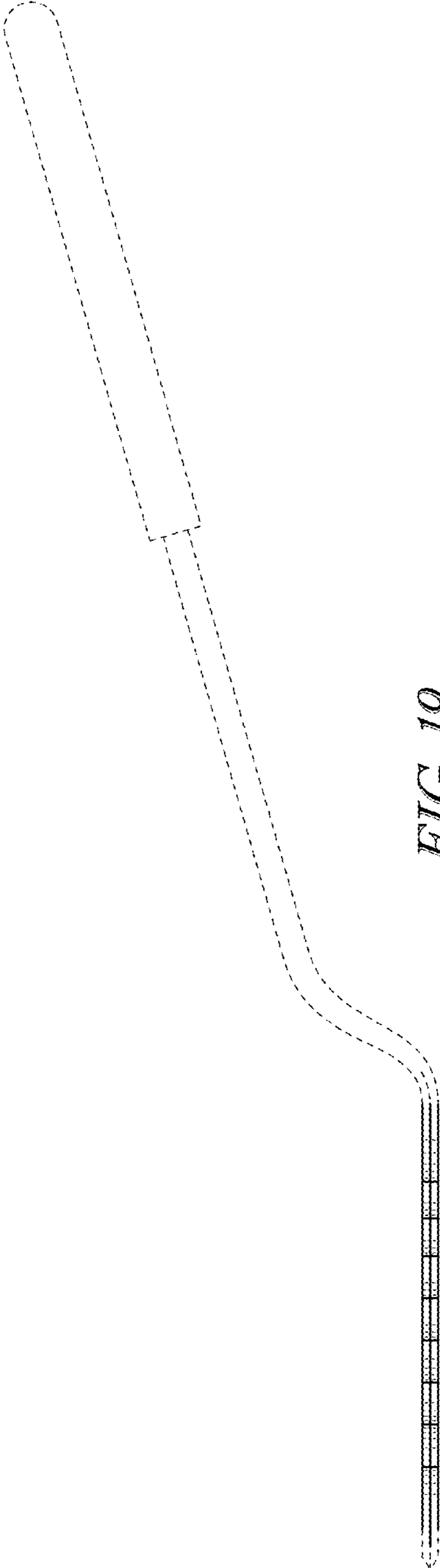
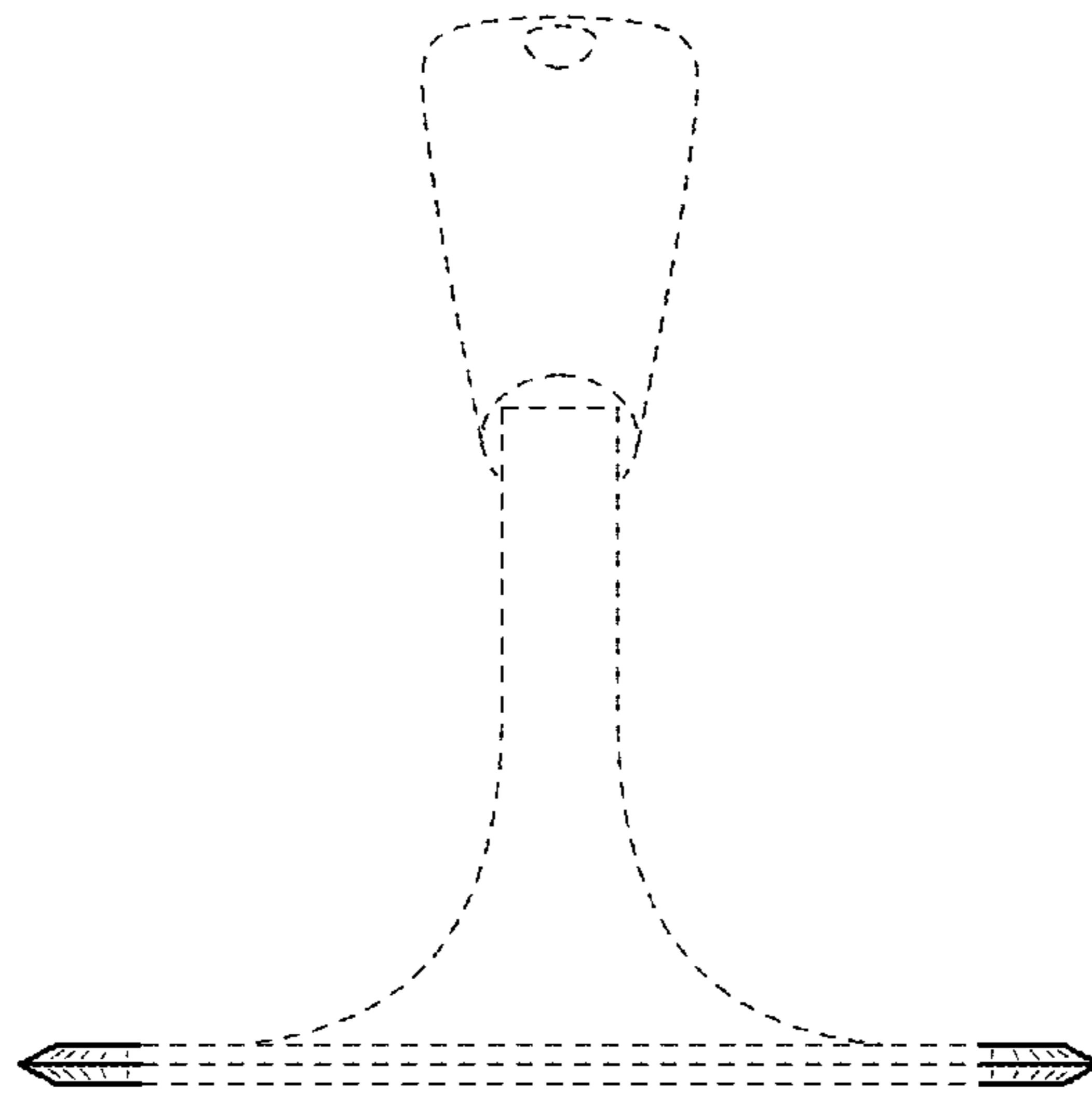


FIG. 19





*FIG. 20*

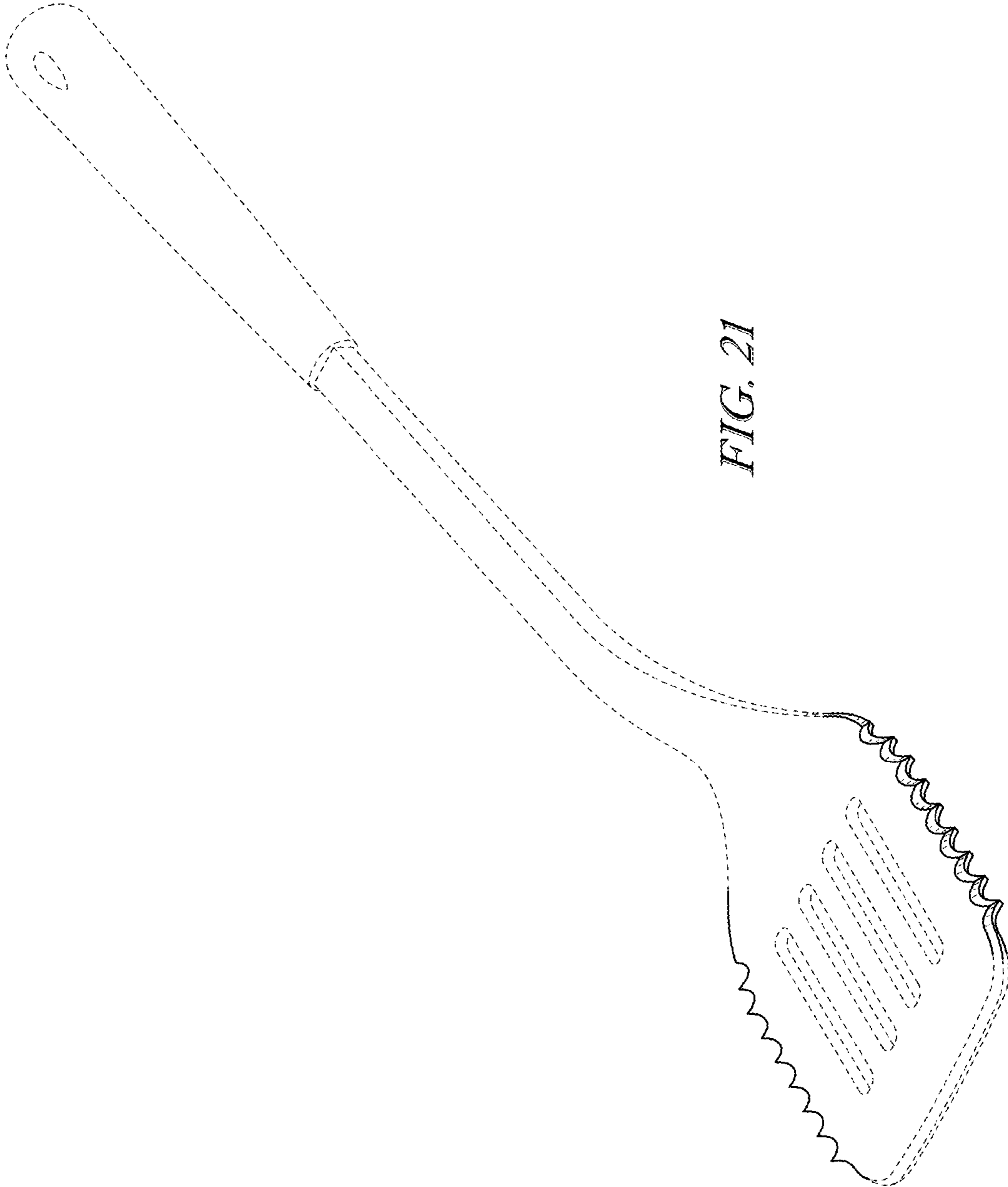


FIG. 21

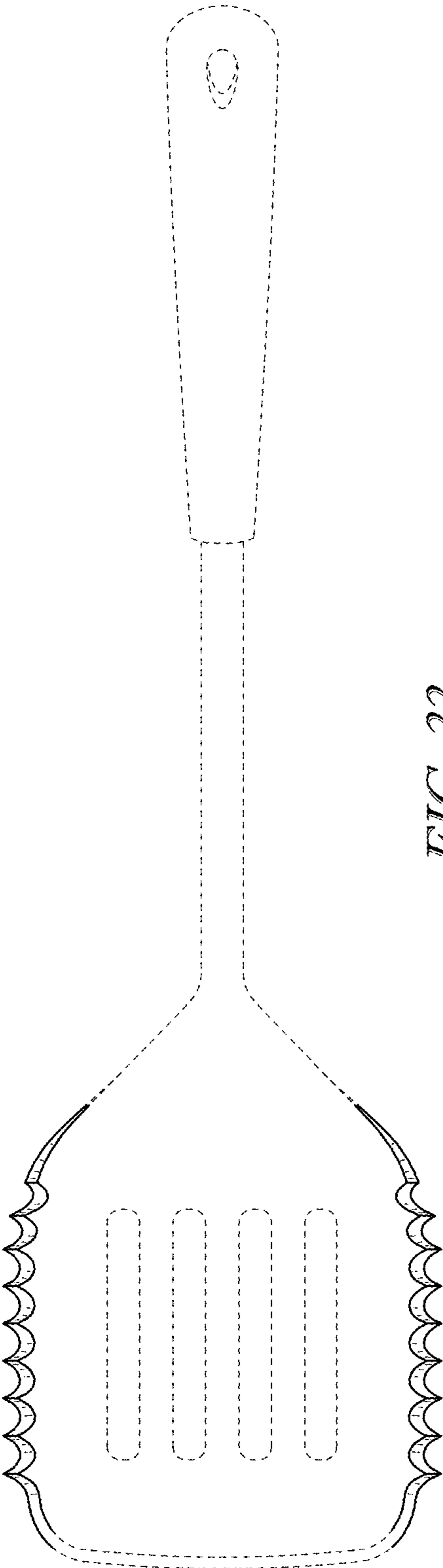


FIG. 22

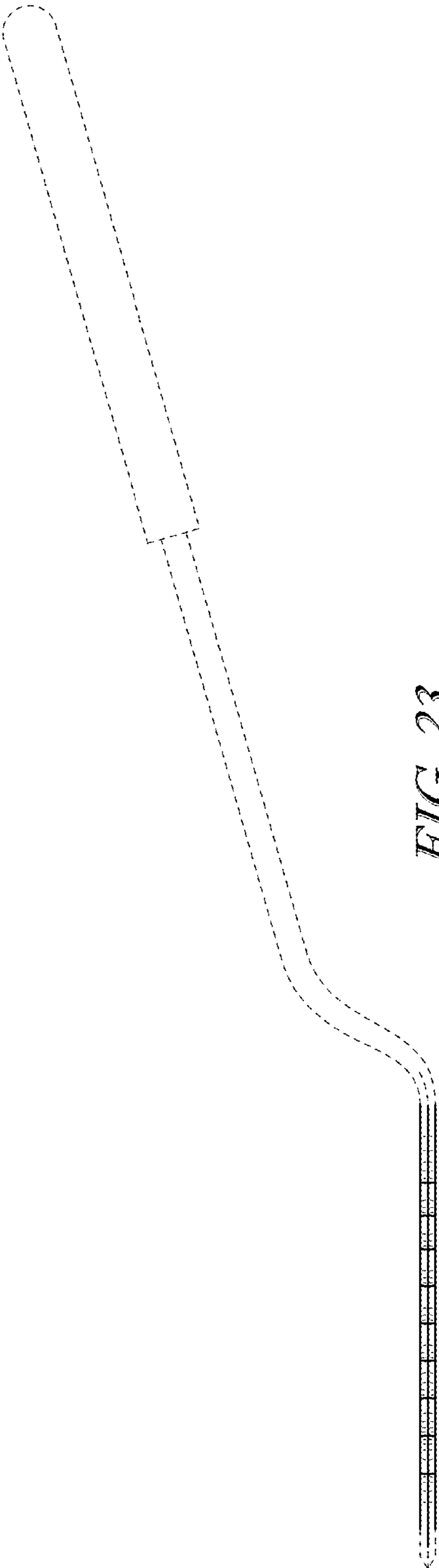
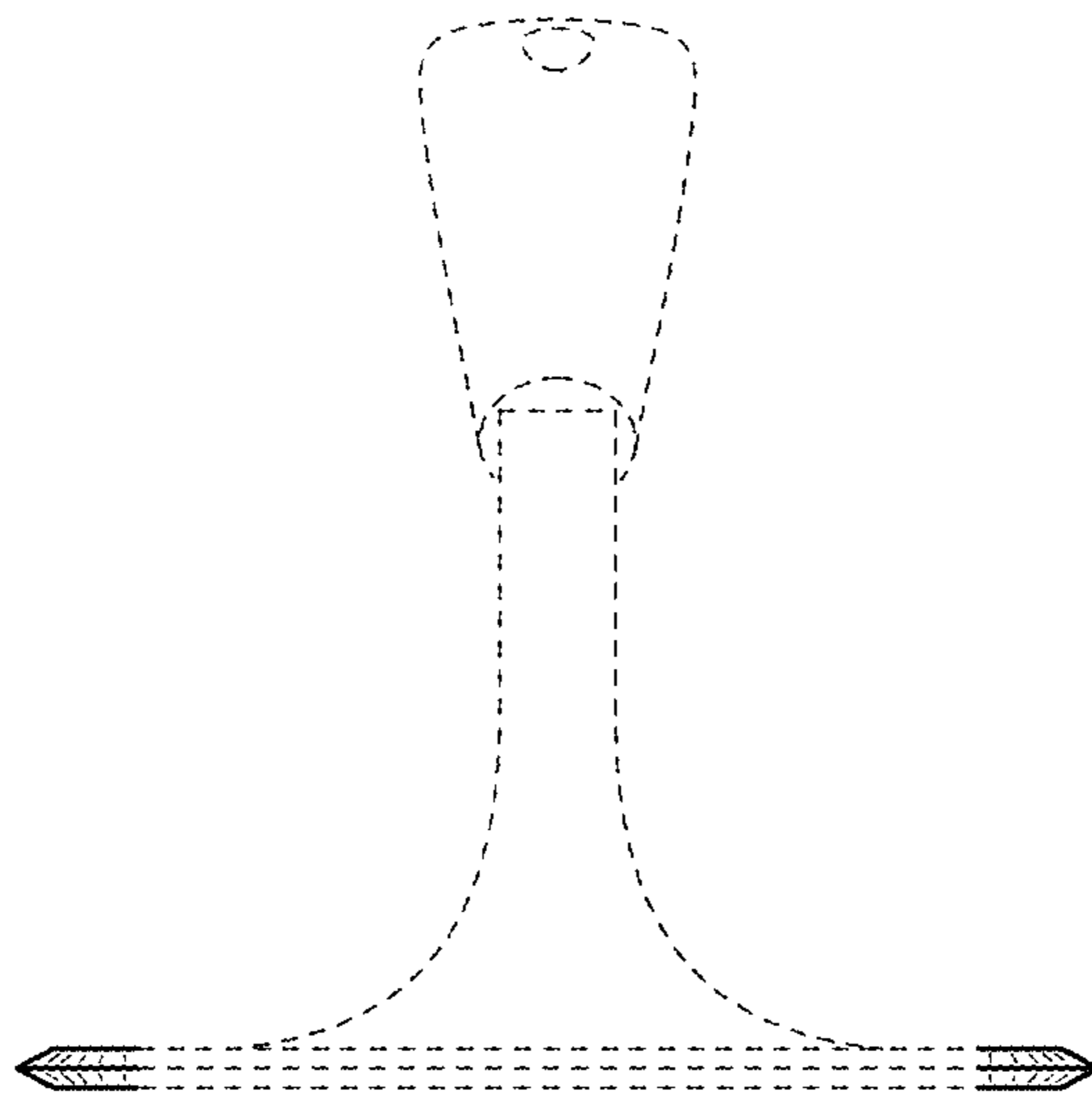


FIG. 23



*FIG. 24*

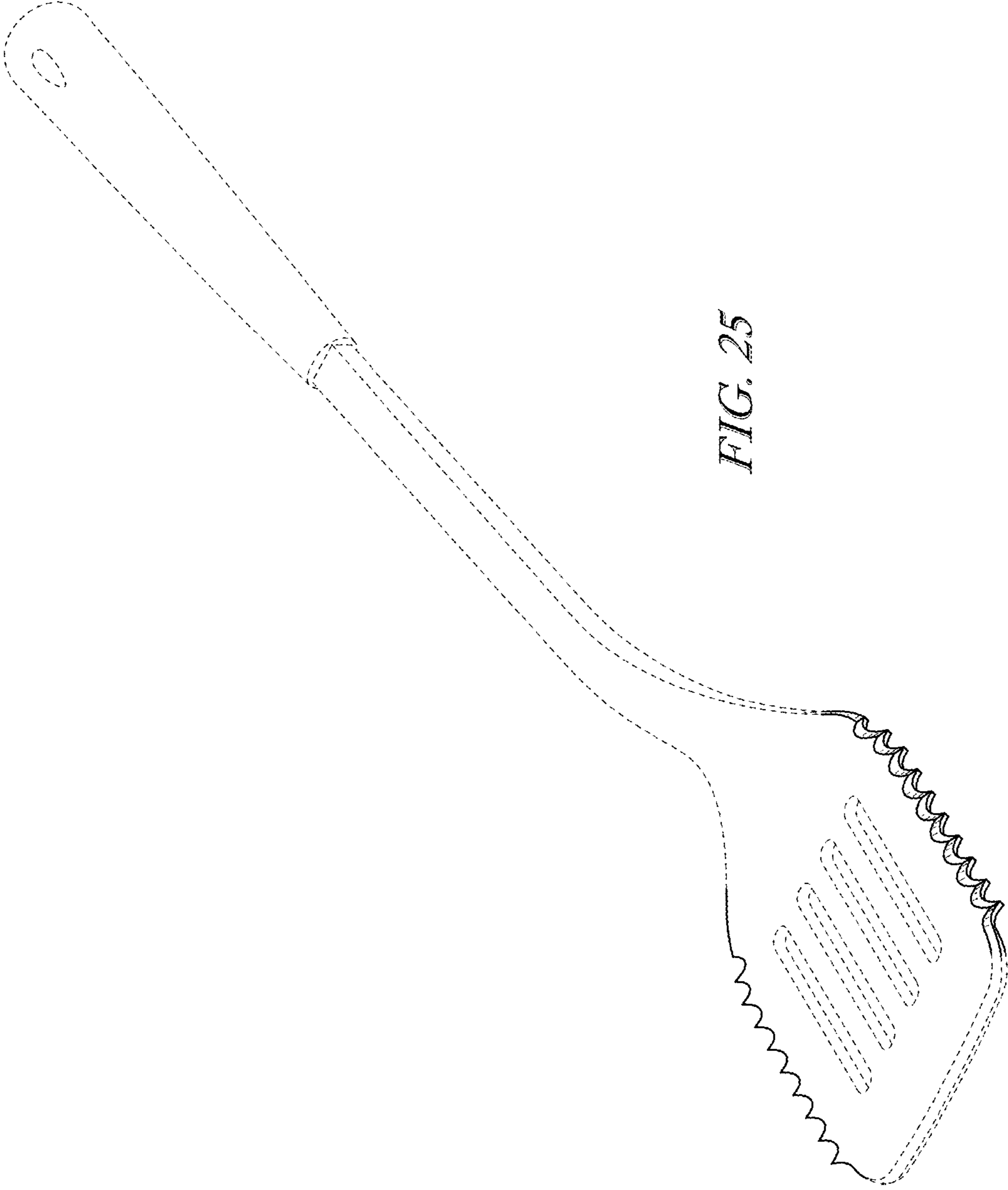


FIG. 25

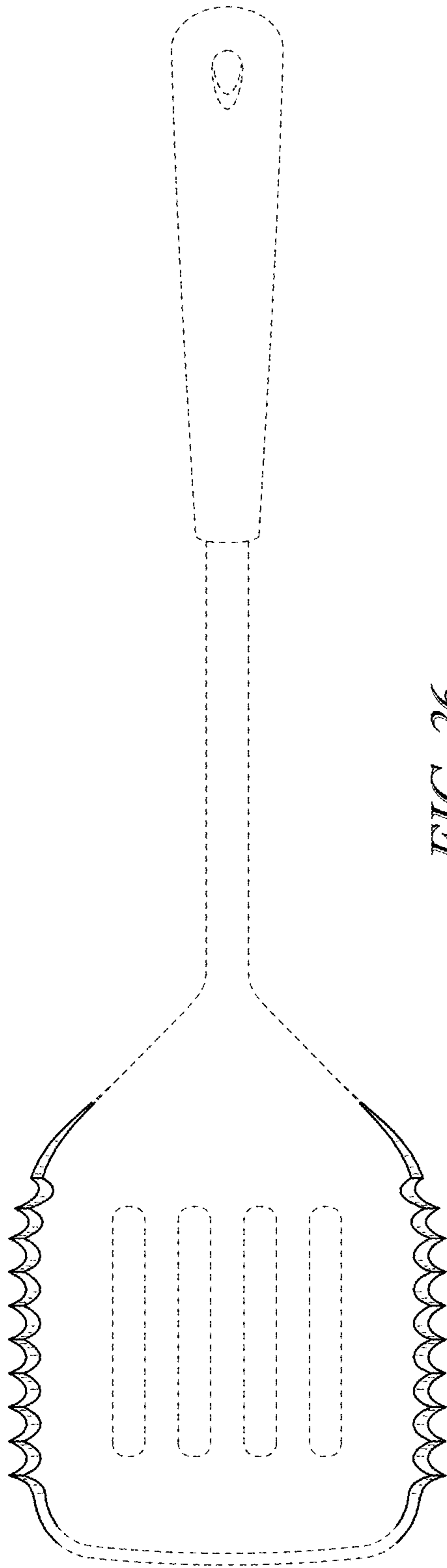


FIG. 26

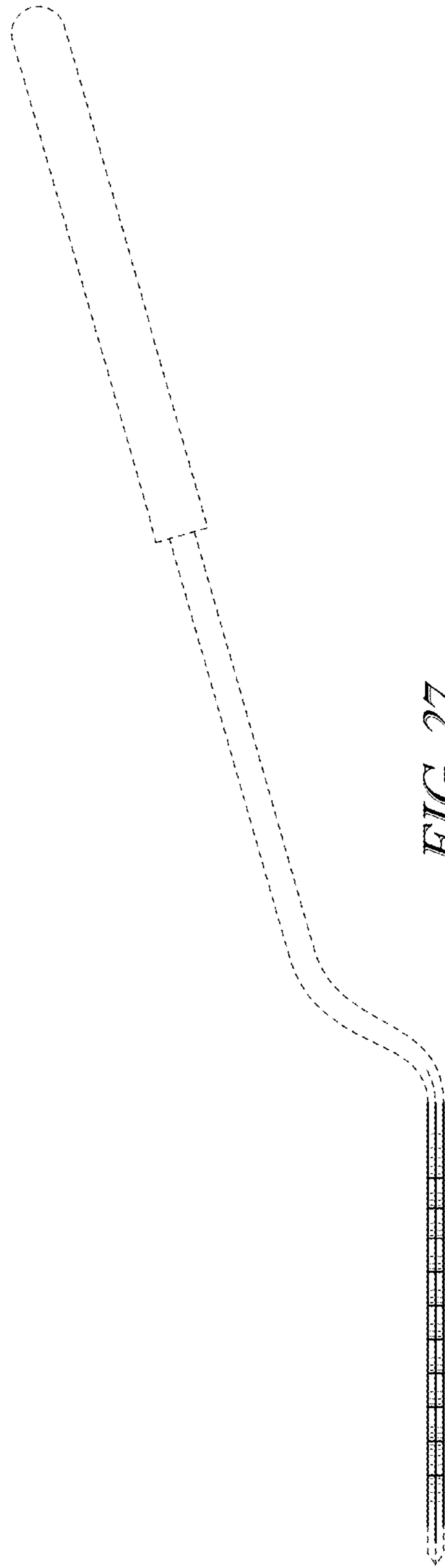
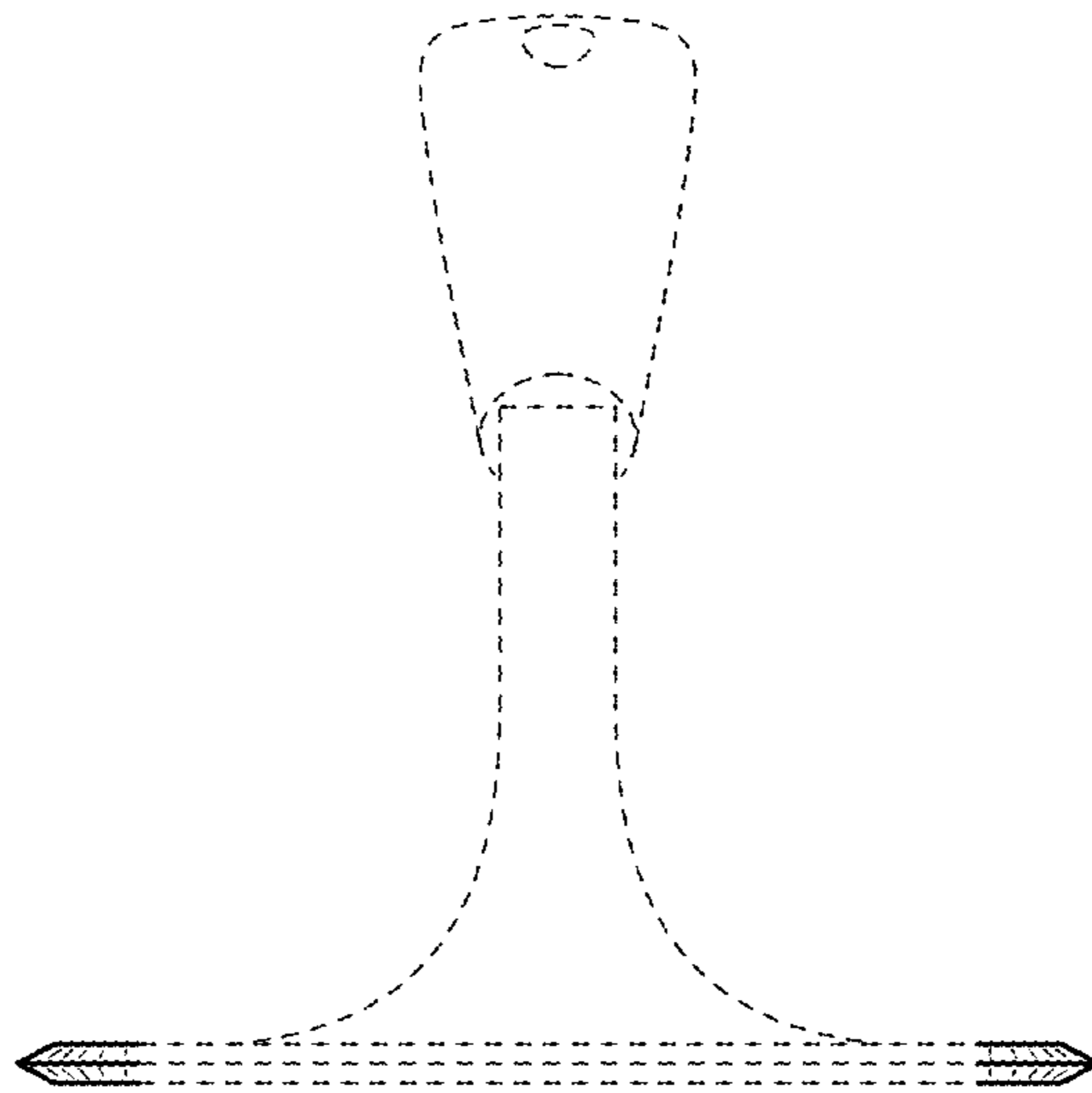


FIG. 27



*FIG. 28*