



US00D771443S

(12) **United States Design Patent**
Griffin et al.

(10) **Patent No.:** **US D771,443 S**

(45) **Date of Patent:** **** *Nov. 15, 2016**

(54) **SHOT GLASS HOLDER**

(71) Applicants: **Jason Griffin**, St. Charles, MO (US);
William Engels, St. Charles, MO (US)

(72) Inventors: **Jason Griffin**, St. Charles, MO (US);
William Engels, St. Charles, MO (US)

(*) Notice: This patent is subject to a terminal disclaimer.

(**) Term: **14 Years**

(21) Appl. No.: **29/493,862**

(22) Filed: **Aug. 19, 2014**

(51) **LOC (10) Cl.** **07-06**

(52) **U.S. Cl.**
USPC **D7/620; D7/619.1; D7/505**

(58) **Field of Classification Search**
USPC D7/500, 501, 503, 505, 507, 509, 510,
D7/511, 512, 523, 529, 530, 531, 514, 515,
D7/553.4, 553.5, 553.6, 554.1, 553.7,
D7/553.8, 554.2, 555, 543, 542, 545, 540,
D7/546, 547, 548, 549, 552.1, 557, 566,
D7/586, 587, 601, 602, 600.1, 600, 708.1,
D7/708, 619.1, 620, 622, 632, 664, 400,
D7/388, 701, 396.3; D30/129, 130;
D11/143; D32/54, 53.1, 73;
220/592.16, 592.17, 23.4, 23.83;
D9/455, 456, 499; D3/201, 202, 315,
D3/318

CPC A47G 23/08; A47G 19/32; A47G
2019/2277; A47G 19/2216; A47G 19/2211;
A47G 19/22; B65D 21/02; B65D 1/265;
A45F 2003/205; A45F 3/20

See application file for complete search history.

(56) **References Cited**

U.S. PATENT DOCUMENTS

1,716,725 A * 6/1929 Gruber A47J 27/002
220/23.4
1,948,932 A * 2/1934 McMickle A47G 19/22
126/380.1

D139,569 S * 11/1944 O'Brien 220/23.4
2,508,947 A * 5/1950 Hoke A47L 13/58
15/263
D160,690 S * 10/1950 Carlson D7/549
D194,985 S * 4/1963 Rifkind 206/203
3,353,717 A * 11/1967 Edwards B67D 1/02
211/74
D214,334 S * 6/1969 Kner D7/546
3,738,525 A * 6/1973 Knapp B65D 25/22
215/397
3,966,102 A * 6/1976 Clark A47G 23/0208
211/74
D250,009 S * 10/1978 Karotseris D11/143
4,407,092 A * 10/1983 Ware A01G 31/02
47/64
D292,157 S * 10/1987 Robinson D7/505
D300,970 S * 5/1989 Walker D32/53
D345,052 S * 3/1994 Stokke D11/143
D376,454 S * 12/1996 Fierek D3/905
5,941,381 A * 8/1999 James A47L 13/51
206/229
6,520,366 B1 * 2/2003 Bradley A47G 19/065
220/23.2
D505,833 S * 6/2005 Ahearn D7/549
D556,510 S * 12/2007 Meuser D7/513
D607,275 S * 1/2010 Griffith D7/505

(Continued)

Primary Examiner — Marianne Pandozzi

Assistant Examiner — Jae Liang

(74) *Attorney, Agent, or Firm* — Charles McCluskey

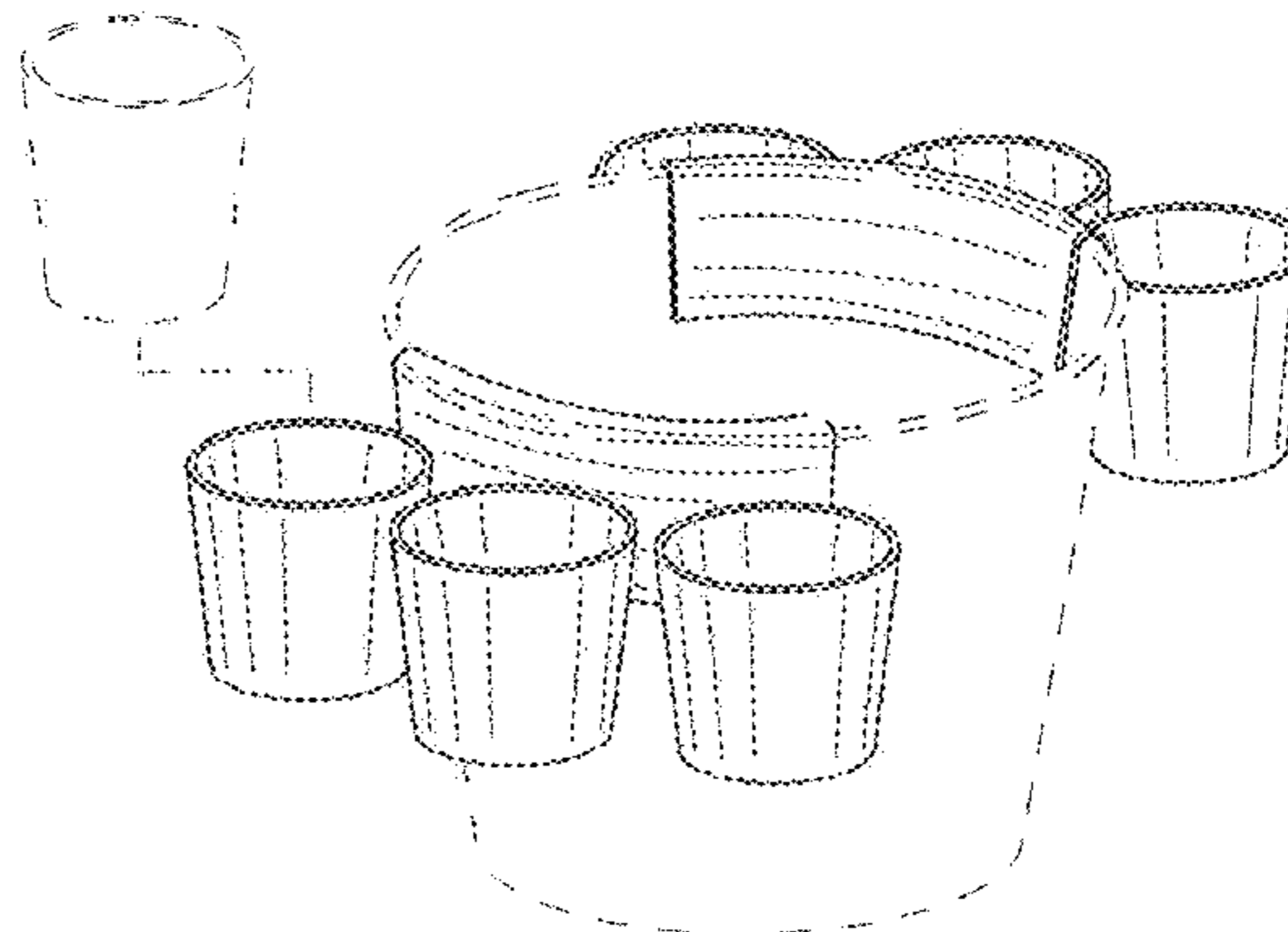
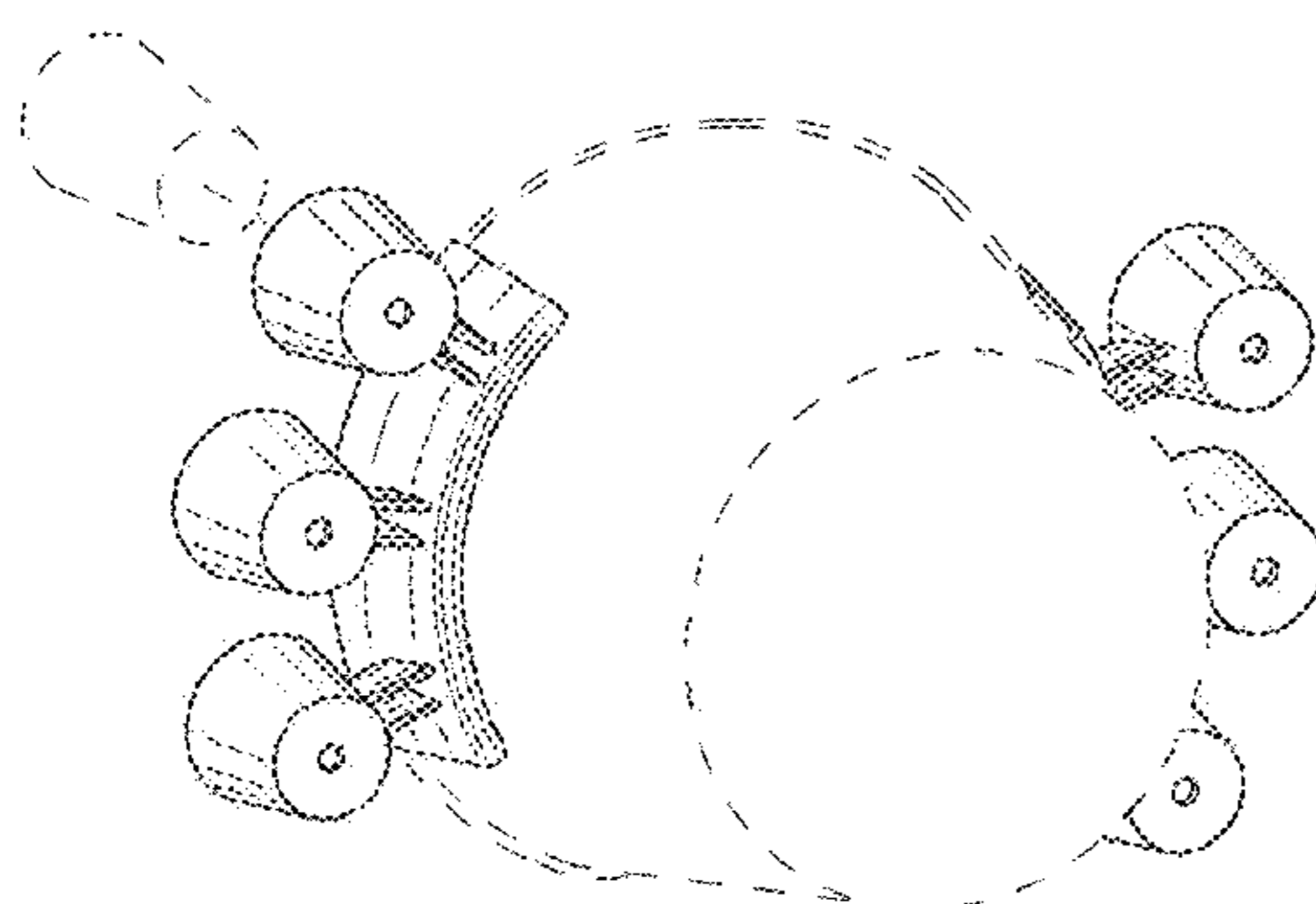
(57) **CLAIM**

The ornamental design for a shot glass holder, as shown and described.

DESCRIPTION

FIG. 1 is an environmental top perspective view of a shot glass holder showing our new design;
FIG. 2 is an environmental front view thereof with the unclaimed shot glass removed for ease of illustration;
FIG. 3 is another environmental top perspective view of FIG. 2;
FIG. 4 is an environmental bottom perspective view of FIG. 2; and,
FIG. 5 is an environmental side perspective view of FIG. 2.
The broken lines in the drawing depict environmental subject matter only and form no part of the claimed design.

1 Claim, 3 Drawing Sheets



(56)

References Cited

U.S. PATENT DOCUMENTS

D618,861 S *	6/2010	Bahnean	D30/130	9,119,490 B1 *	9/2015	Parodi, Jr.	A47G 19/2205
D624,360 S *	9/2010	Leavelle	D7/501	2008/0149650 A1 *	6/2008	Kim	A47G 19/2216
D668,545 S *	10/2012	Cox	D9/455				220/716
D688,085 S *	8/2013	Harris	D7/354	2011/0084087 A1 *	4/2011	Scribner	A01G 9/022
D696,072 S *	12/2013	Hsu	D7/505				220/751
D713,207 S *	9/2014	Hickox	D7/543	2013/0233011 A1 *	9/2013	Wolf	F25D 3/08
8,967,562 B1 *	3/2015	Bileth	A47G 23/0225				62/457.5
			220/23.2	2013/0277375 A1 *	10/2013	Hickox	A47G 23/0633
							220/575

* cited by examiner

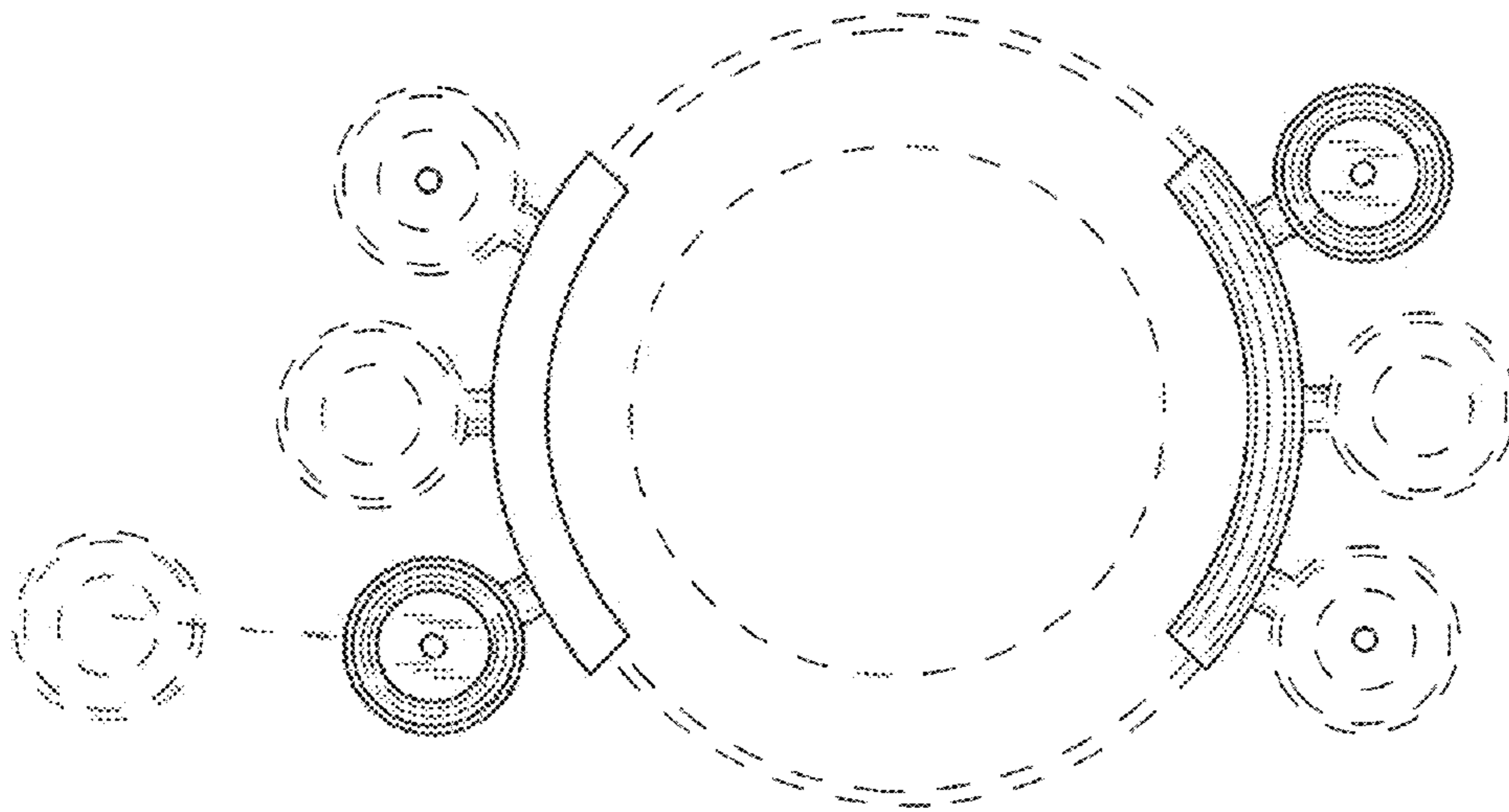


FIG. 1

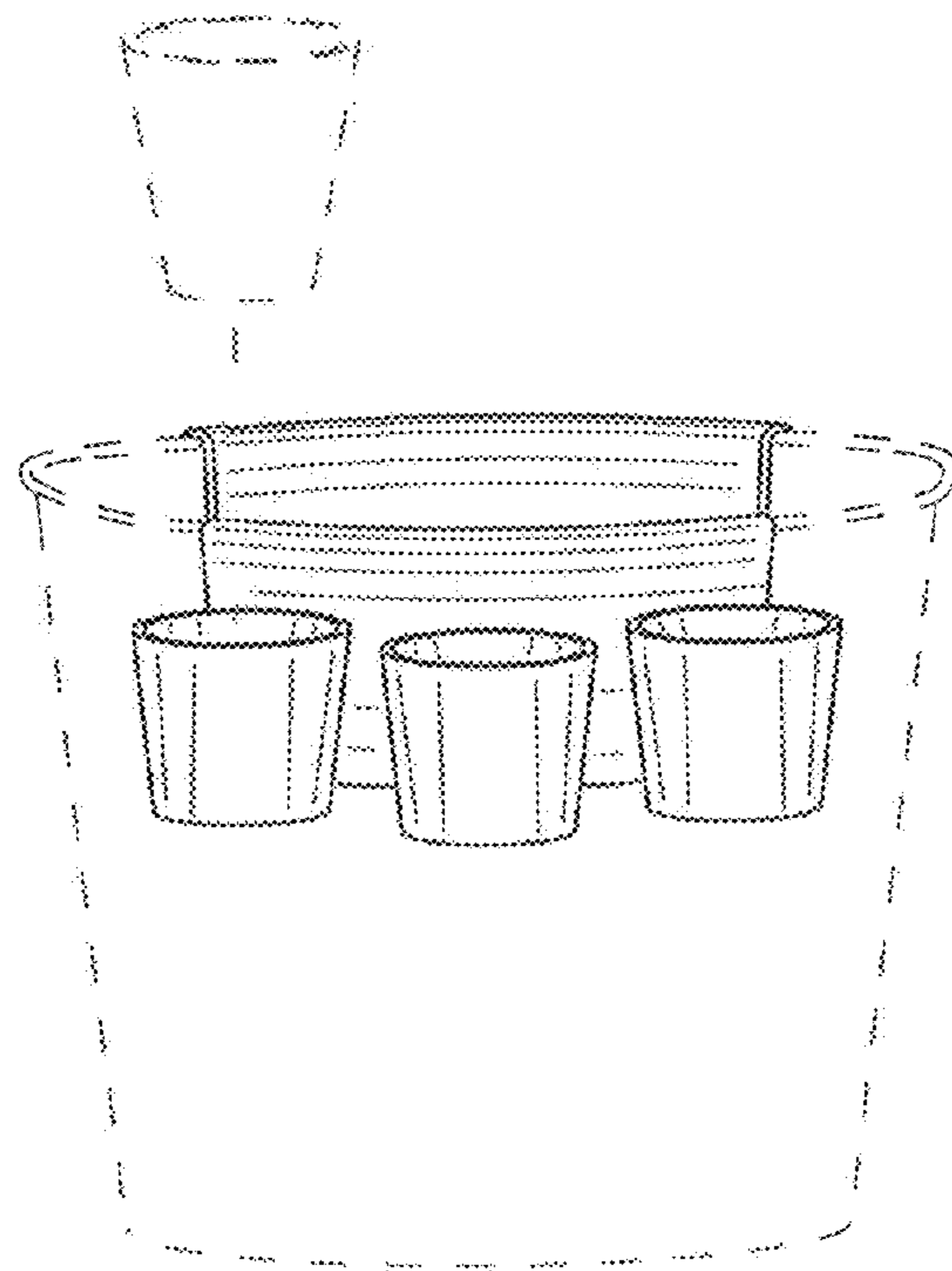


FIG. 2

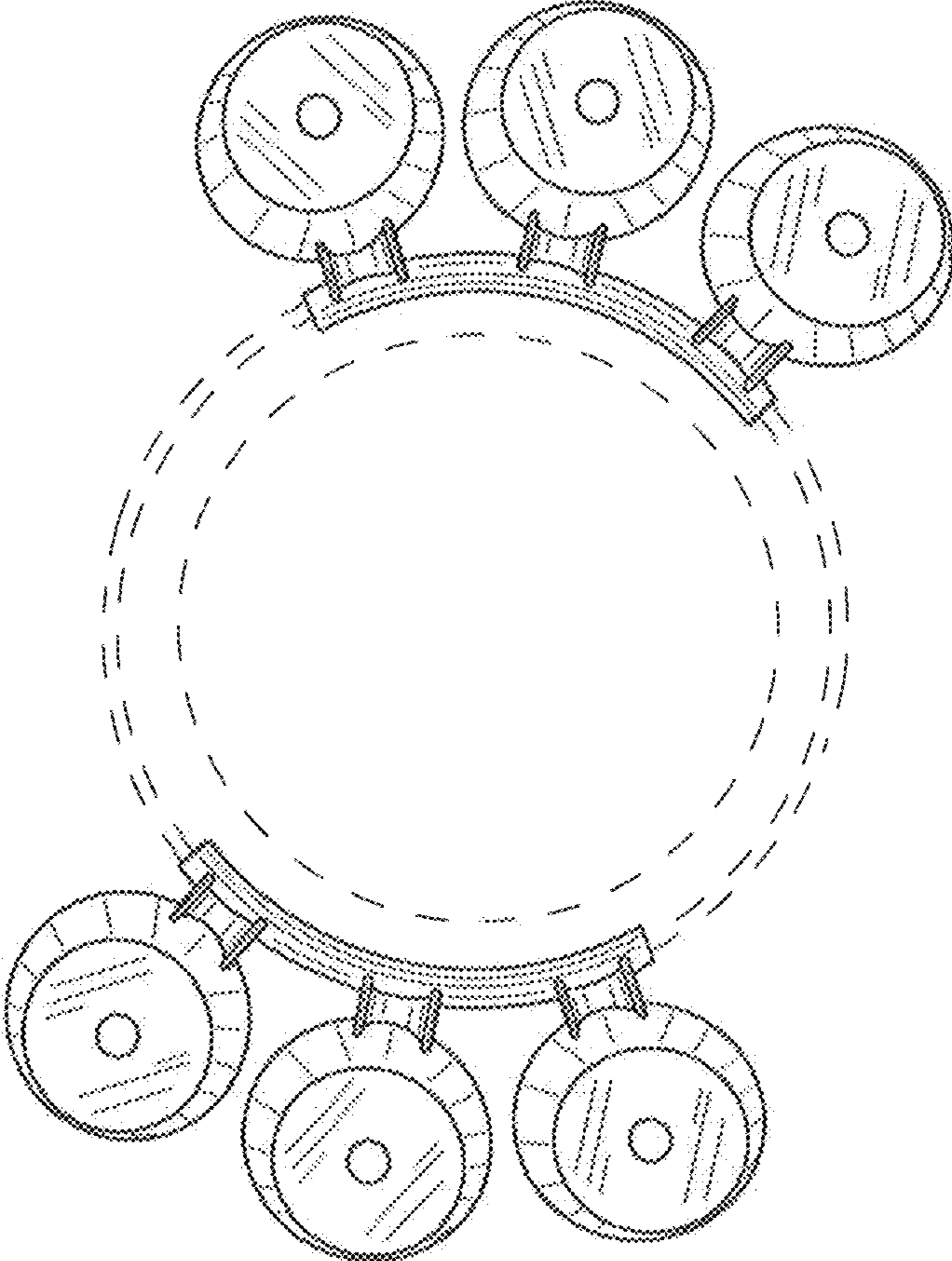


FIG. 3

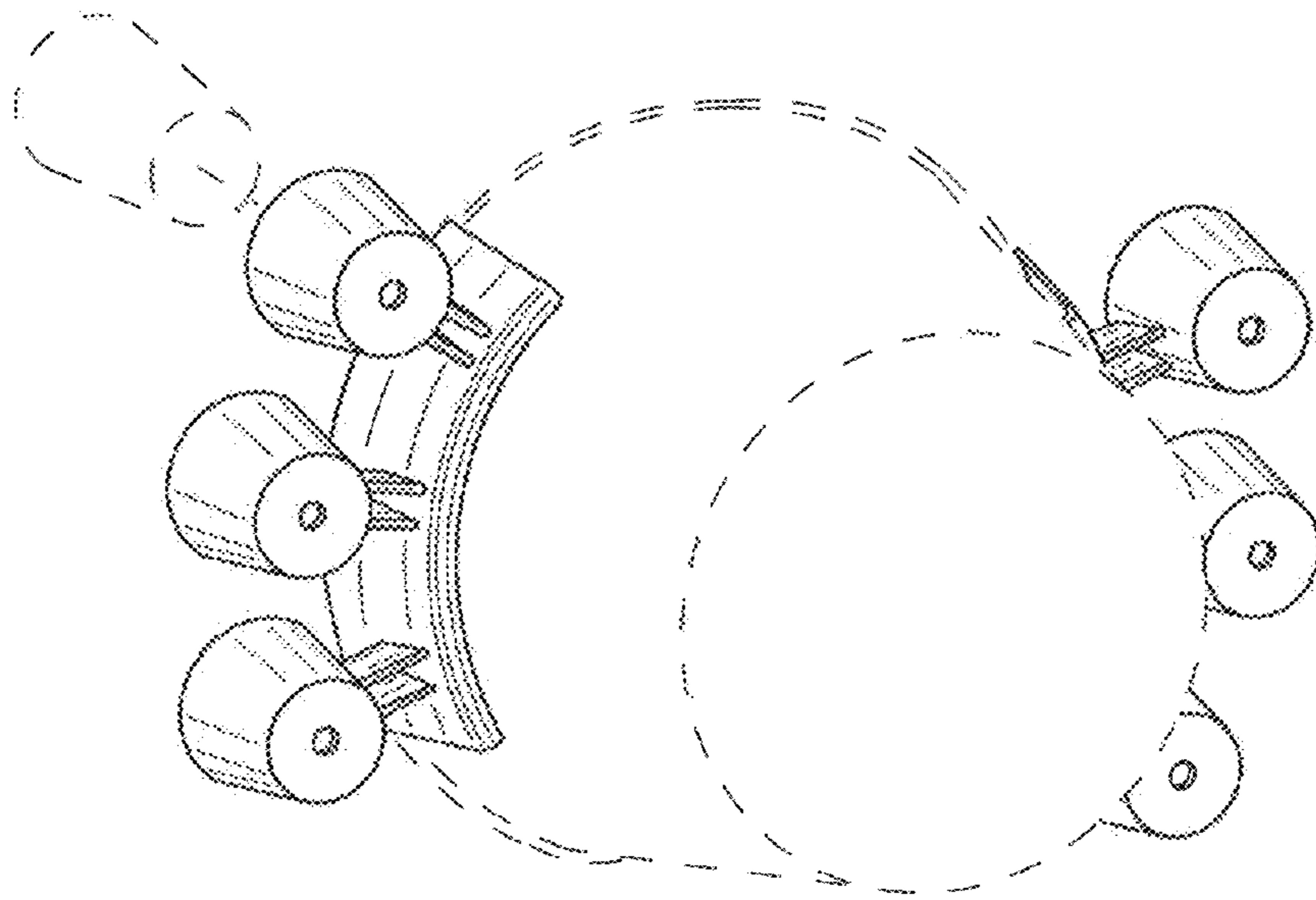


FIG. 4

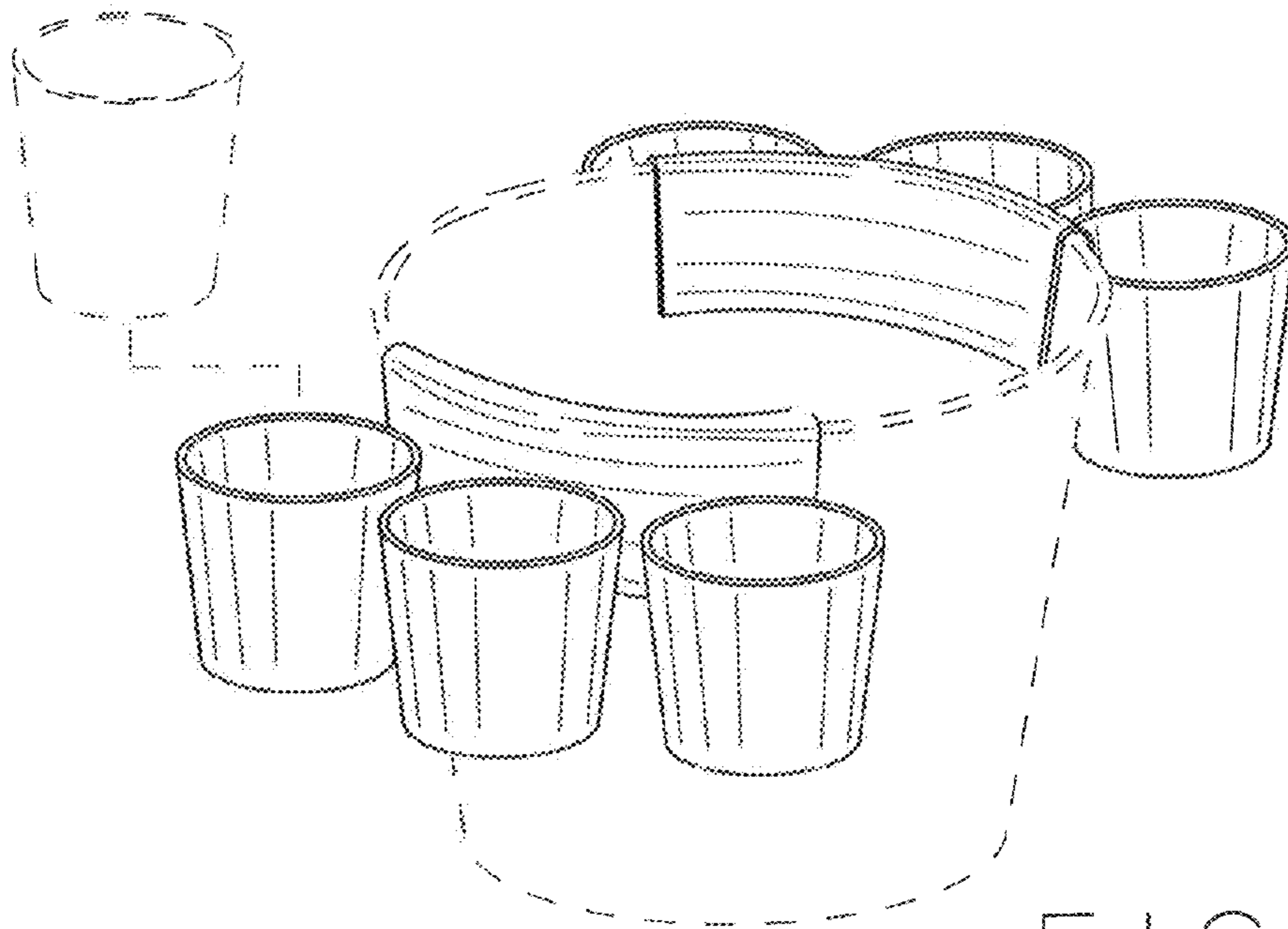


FIG. 5