



US00D771439S

(12) **United States Design Patent** (10) **Patent No.:** **US D771,439 S**  
**Miller** (45) **Date of Patent:** **\*\* Nov. 15, 2016**

(54) **MUG**

(71) Applicant: **Jake Miller**, San Francisco, CA (US)

(72) Inventor: **Jake Miller**, San Francisco, CA (US)

(73) Assignee: **Fellow Industries Inc**, San Francisco, CA (US)

(\*\*) Term: **15 Years**

(21) Appl. No.: **29/505,687**

(22) Filed: **Jan. 4, 2016**

(51) **LOC (10) Cl.** ..... **07-01**

(52) **U.S. Cl.**  
USPC ..... **D7/523; D7/532; D7/509**

(58) **Field of Classification Search**  
USPC ..... D7/505-511, 523, 529, 530, 532, 543, D7/550.1, 553.2, 554.3, 592, 396.2, 531, D7/396.4, 512, 607, 608, 624.1, 624.2, D7/553.8, 554.2, 620, 533, 524; D3/205, D3/202, 901; D9/715, 719, 721, 739, 517, D9/690, 682, 691, 748, 516, 553, 775, 773, D9/429, 454, 440, 436; D6/542, 534, 535, D6/512, 513, 514, 515, 524, 527, 528, 530, D6/531; 206/520, 217, 459.5; 220/592.16, 220/592.17, 703, 713, 612, 602; 215/400, 215/403; D28/9, 99, 73; D19/95; D11/144, D11/153; D27/137

CPC ..... A47G 19/22; A47G 19/2205; A47G 19/2272; B65D 1/265; B65D 3/06

See application file for complete search history.

(56) **References Cited**

U.S. PATENT DOCUMENTS

3,781,164 A \* 12/1973 McCaffery ..... F21V 35/00  
220/659  
D242,736 S \* 12/1976 Craft, III ..... D11/143  
D365,965 S \* 1/1996 Yeh ..... D7/533  
6,076,699 A \* 6/2000 Seager ..... A47G 19/22  
215/396  
D672,084 S \* 12/2012 Ducey ..... D27/137  
D696,892 S \* 1/2014 Bretillot ..... D23/366  
D702,591 S \* 4/2014 Young ..... D11/143  
D705,611 S \* 5/2014 Britt ..... D7/607  
D746,108 S \* 12/2015 Di Giuseppantonio ..... D7/509

\* cited by examiner

*Primary Examiner* — Marianne Pandozzi

*Assistant Examiner* — Jae Liang

(74) *Attorney, Agent, or Firm* — James A. Gavney, Jr.; JAG Patent Services

(57) **CLAIM**

I claim the ornamental design for a mug, as shown and described.

**DESCRIPTION**

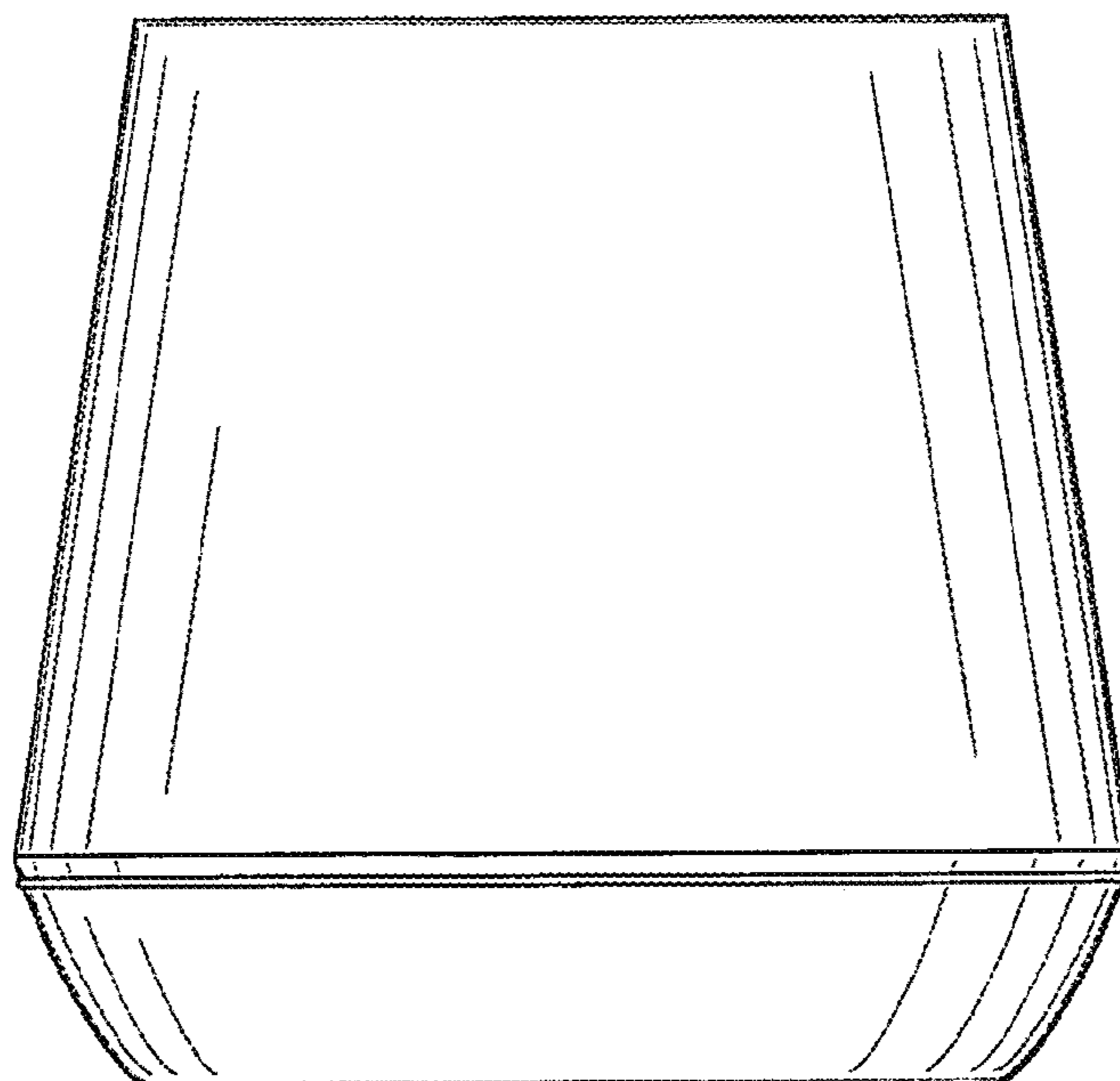
FIG. 1 is a top perspective view of a mug showing my new design;

FIG. 2 is a side view thereof;

FIG. 3 is a top view thereof; and,

FIG. 4 is a bottom view thereof.

**1 Claim, 2 Drawing Sheets**



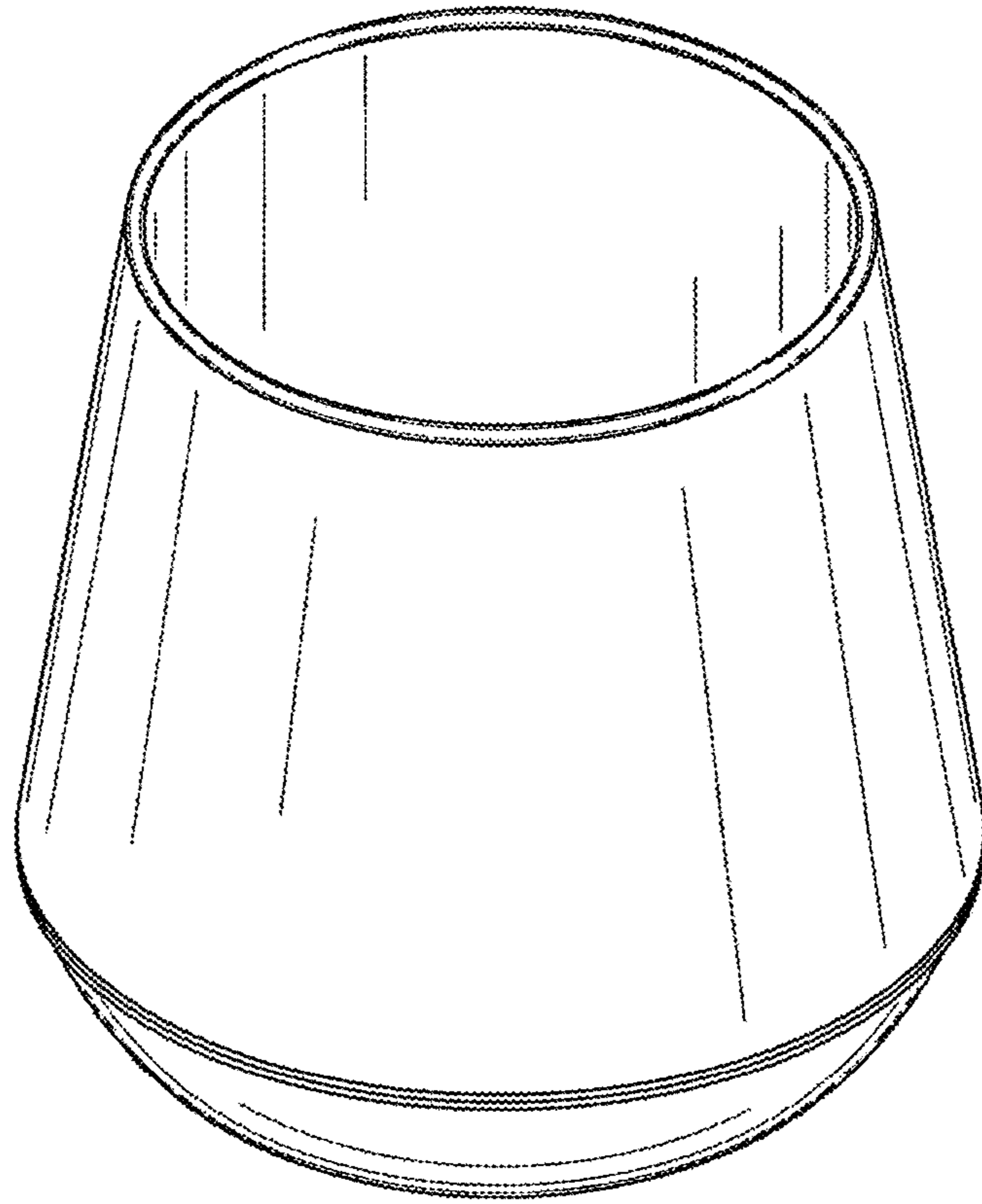


FIG. 1

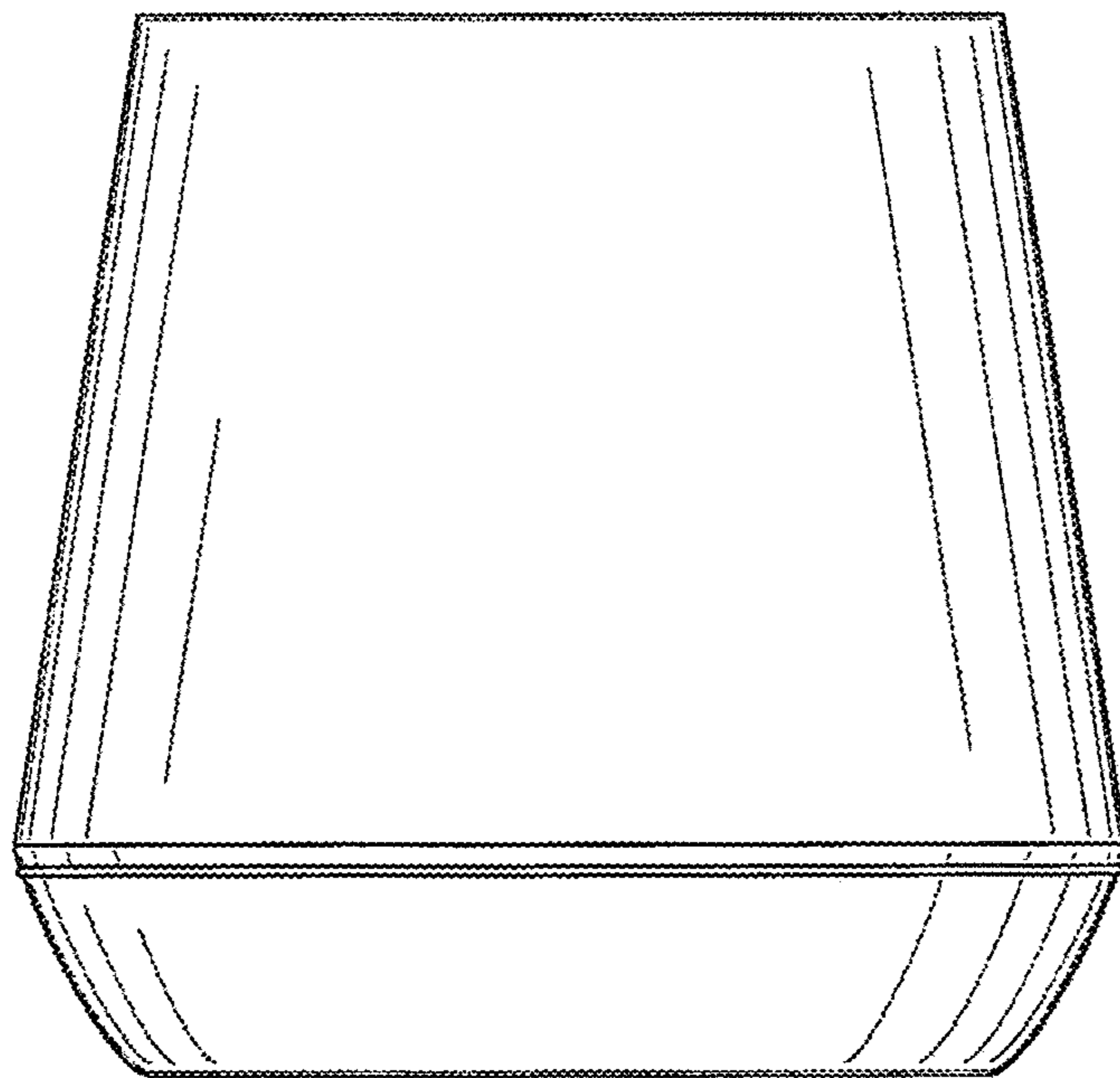


FIG. 2

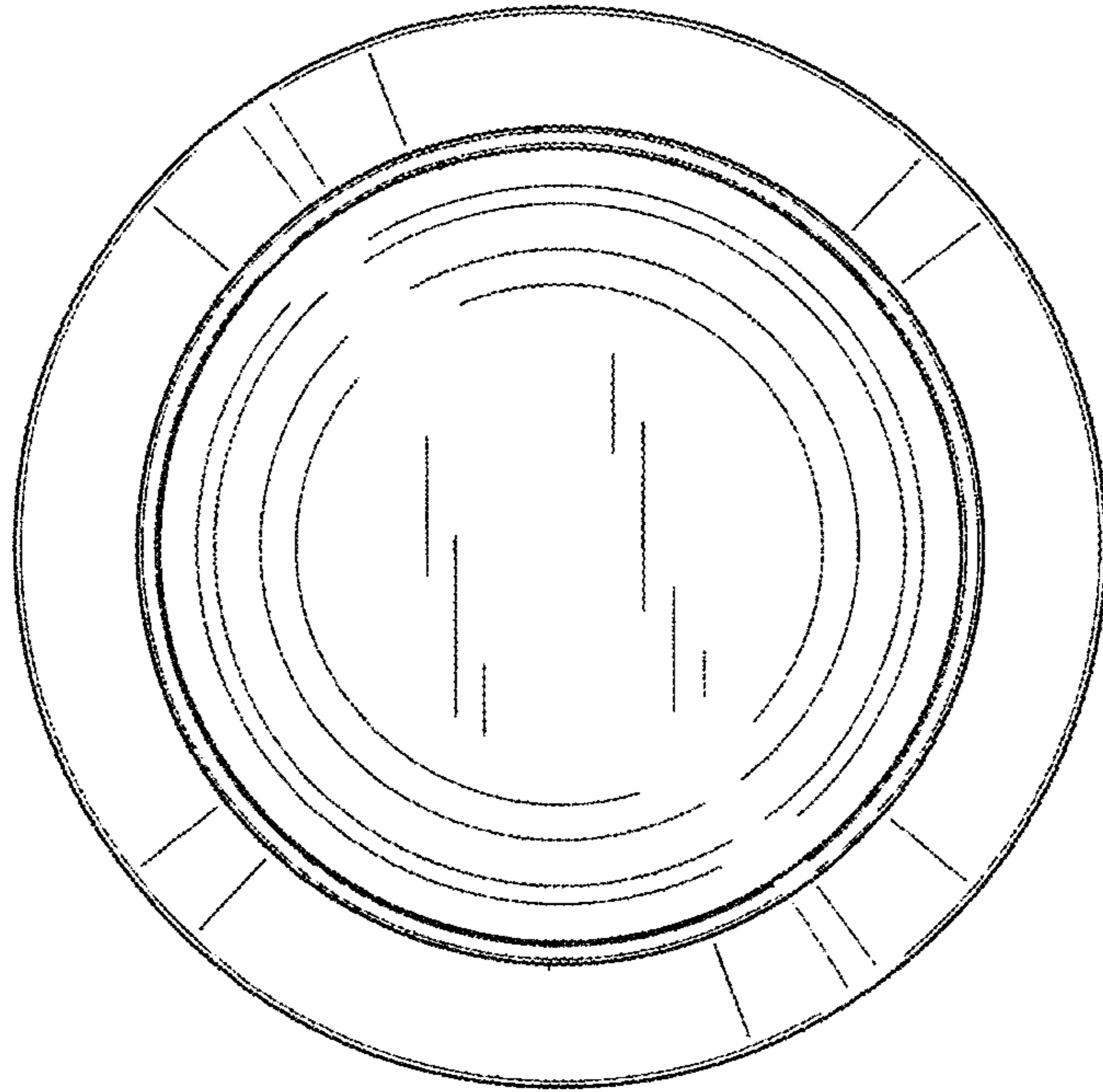


FIG. 3

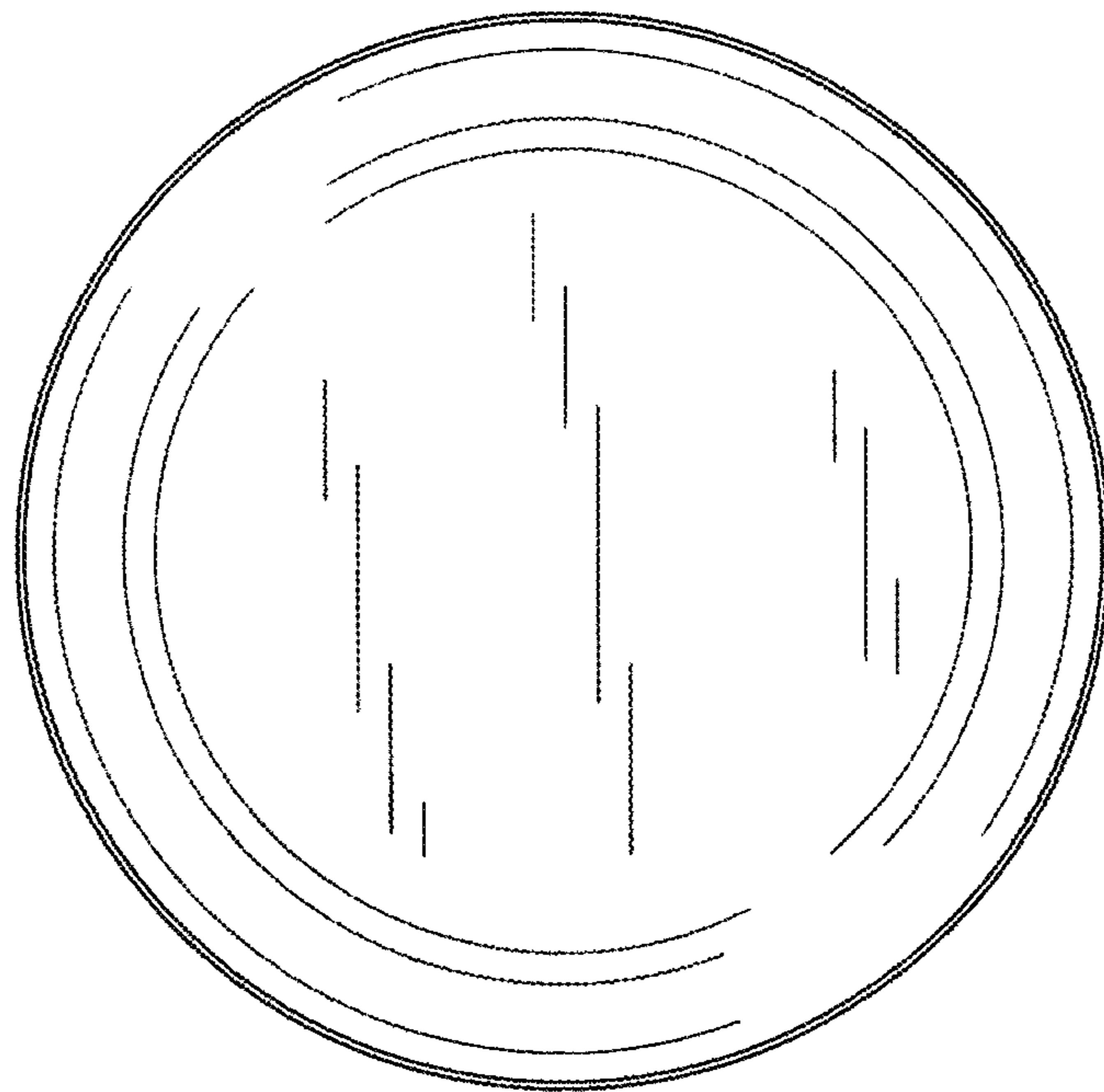


FIG. 4