



US00D771438S

(12) **United States Design Patent** (10) **Patent No.:** **US D771,438 S**  
**Kettavong** (45) **Date of Patent:** **\*\* Nov. 15, 2016**

- (54) **TAMPER HOLDER**
- (71) Applicant: **Vita-Mix Corporation**, Olmsted Township, OH (US)
- (72) Inventor: **Phonesacksith Guy Kettavong**, Kent, OH (US)
- (73) Assignee: **VITA-MIX MANAGEMENT CORPORATION**, Olmsted Township, OH (US)
- (\*\*) Term: **14 Years**
- (21) Appl. No.: **29/499,803**
- (22) Filed: **Aug. 19, 2014**
- (51) **LOC (10) Cl.** ..... **31-00**
- (52) **U.S. Cl.**  
USPC ..... **D7/412; D7/378**
- (58) **Field of Classification Search**  
USPC ..... D7/372, 376-386, 412-413, 602, 605, D7/629, 665-666, 669, 679, 693-694; D13/133, 154  
CPC ..... A21C 1/02; A21C 1/04; A22C 7/00; A23N 1/00; A23N 1/02; A47J 43/04; A47J 43/25; A47J 43/27; A47J 43/042; A47J 43/044; A47J 43/046; A47J 43/075; A47J 43/0716; A47J 43/0722; A47J 43/0727; B01F 3/00; B01F 3/0807; B01F 3/0853; B01F 13/0059; B01F 13/0064; B01L 3/0282; B02C 1/08; B02C 2/04; B02C 4/42; B02C 4/142; B02C 4/143; B02C 4/423; B02C 13/1835; B28C 5/10; B28C 5/12; B28C 5/14; B28C 5/16  
See application file for complete search history.

- (56) **References Cited**  
U.S. PATENT DOCUMENTS  
2,481,731 A 9/1949 Dubin  
2,802,605 A \* 8/1957 Parker ..... 222/215  
3,107,711 A \* 10/1963 Azmus ..... 241/169.2

5,662,032 A *	9/1997	Baratta	.....	99/513
D453,322 S *	2/2002	Lee	.....	D13/154
D458,086 S *	6/2002	Marks et al.	.....	D7/605
D505,390 S *	5/2005	Lee et al.	.....	D13/133
7,040,799 B2 *	5/2006	Pryor, Jr.	.....	366/199
D551,915 S *	10/2007	Chang Chien	.....	D7/665
7,648,264 B2 *	1/2010	Breviere et al.	.....	366/205
D660,643 S *	5/2012	Boozer et al.	.....	D7/386
8,172,454 B2 *	5/2012	Choi	.....	366/147
D666,056 S *	8/2012	Boozer et al.	.....	D7/412
D702,078 S *	4/2014	Coakley et al.	.....	D7/386
2005/0023940 A1	2/2005	Van Beusekom		
2009/0129200 A1	5/2009	Breviere et al.		
2010/0232256 A1	9/2010	Pryor, Jr.		

**OTHER PUBLICATIONS**

Blane R. Copenheaver, International Search Report, PCT/US2014/071462, Apr. 17, 2015, ISA/US, Alexandria, Virginia.  
Blane R. Copenheaver, Written Opinion of the International Searching Authority, PCT/US2014/071462, Apr. 17, 2015, ISA/US, Alexandria, Virginia.

\* cited by examiner

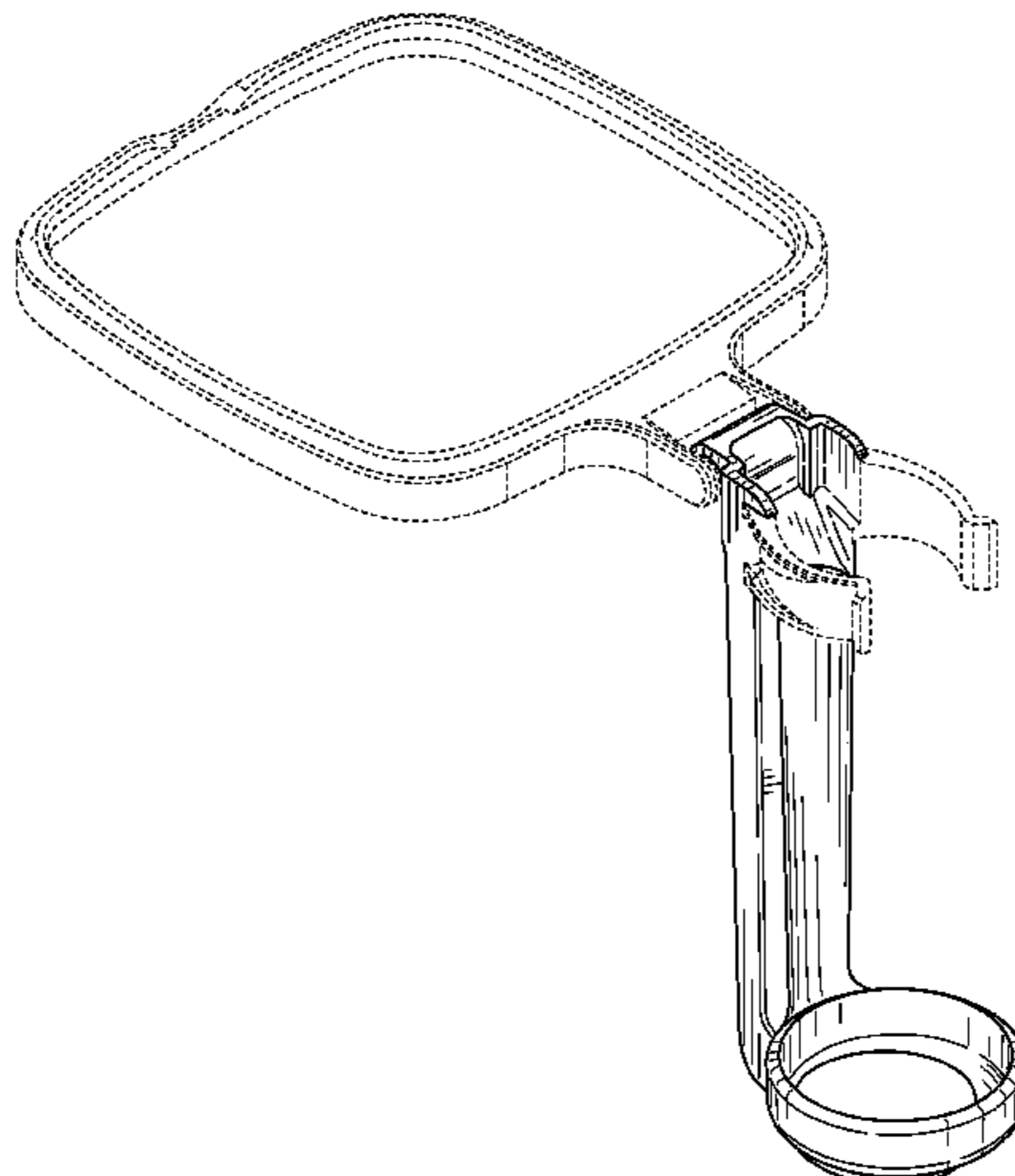
*Primary Examiner* — Ricky Pham  
(74) *Attorney, Agent, or Firm* — McDonald Hopkins LLC

(57) **CLAIM**  
The ornamental design for a tamper holder, as shown and described.

**DESCRIPTION**

FIG. 1 is a perspective view of a tamper holder showing my new design;  
FIG. 2 is a first side view thereof;  
FIG. 3 is a second side view thereof;  
FIG. 4 is a front view thereof;  
FIG. 5 is a rear view thereof;  
FIG. 6 is a top view thereof; and,  
FIG. 7 is a bottom view thereof.  
The broken lines in the figures are included for the purpose of illustrating portions of a tamper holder and form no part of the claimed design.

**1 Claim, 7 Drawing Sheets**



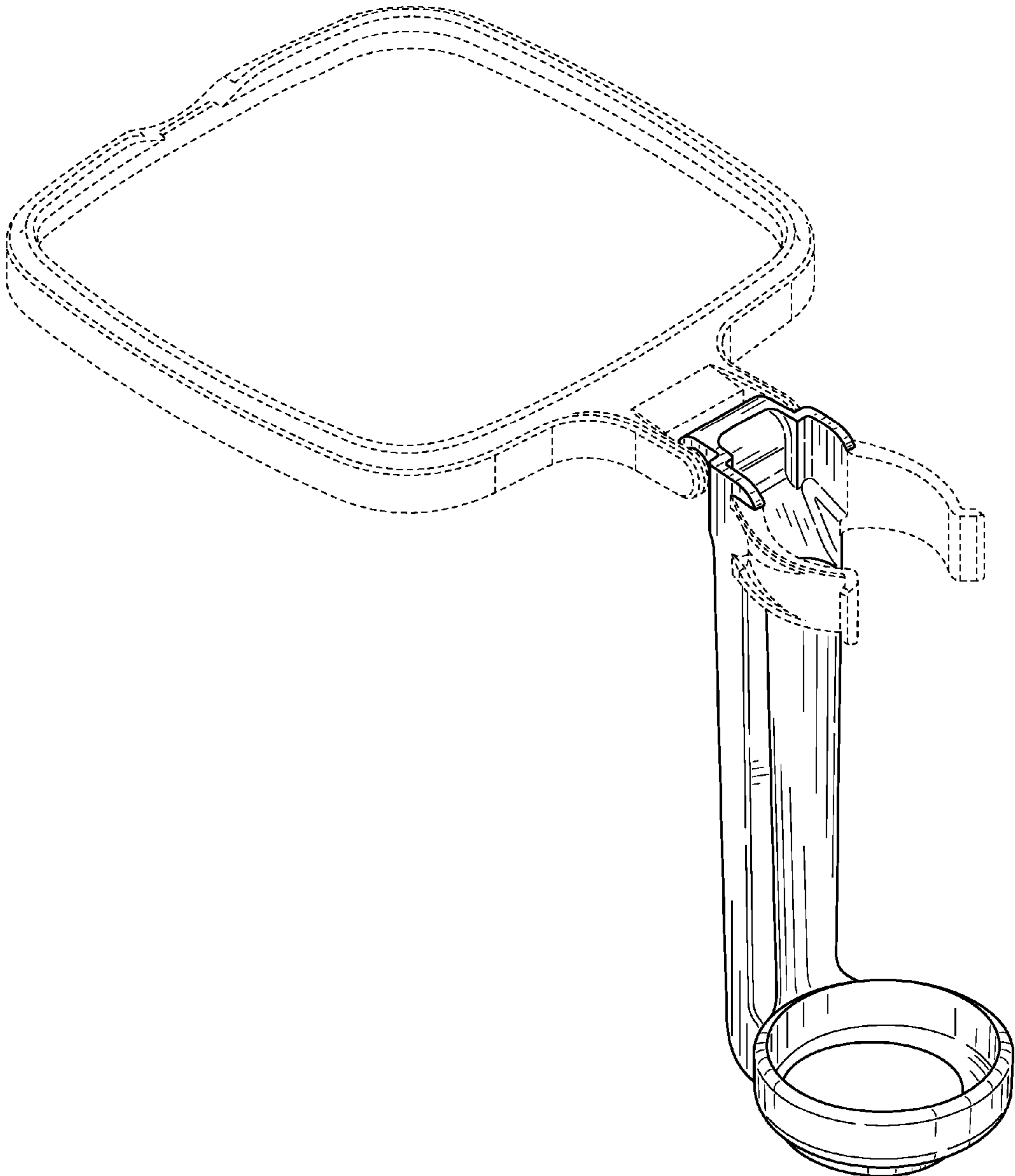


FIG. 1

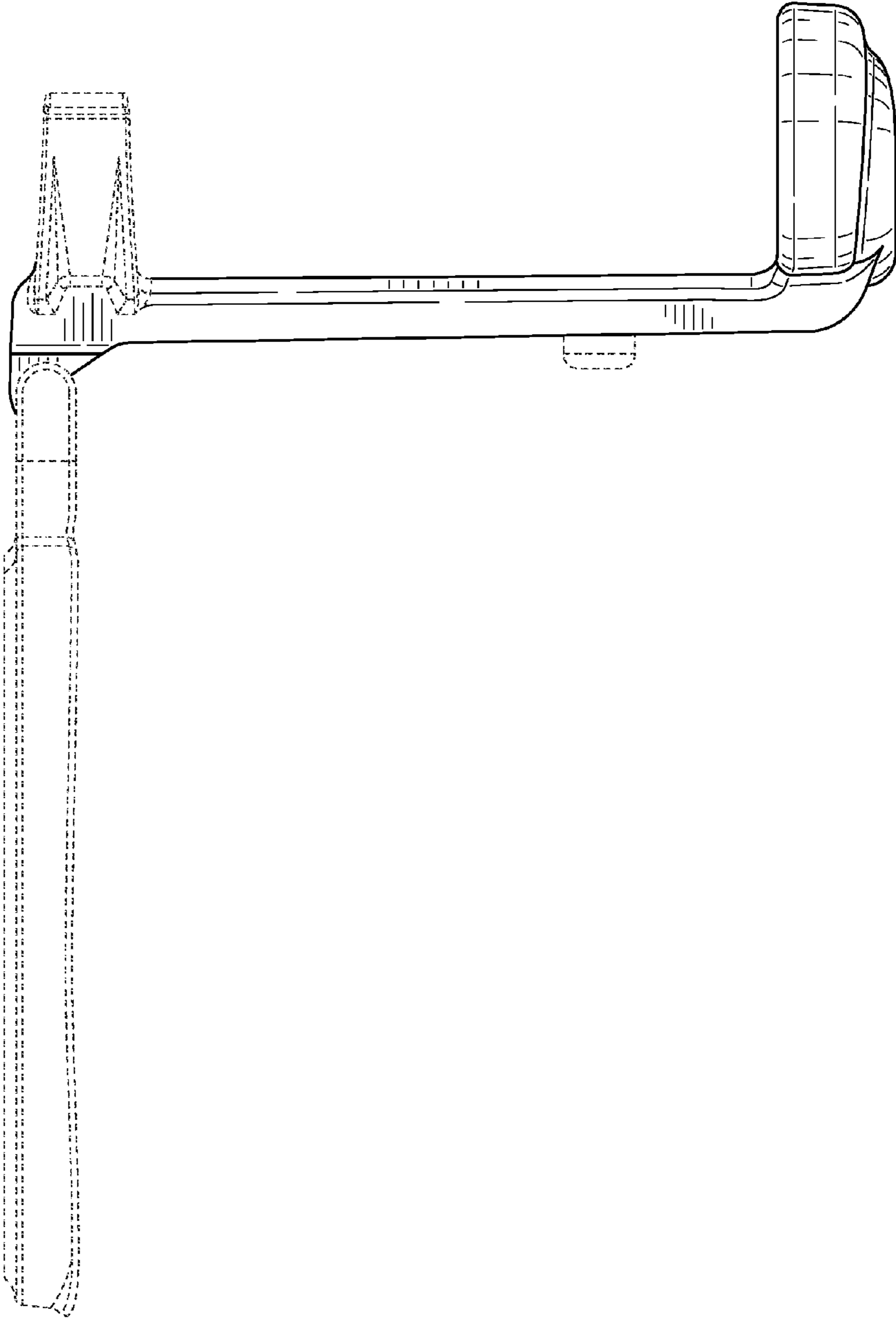


FIG. 2

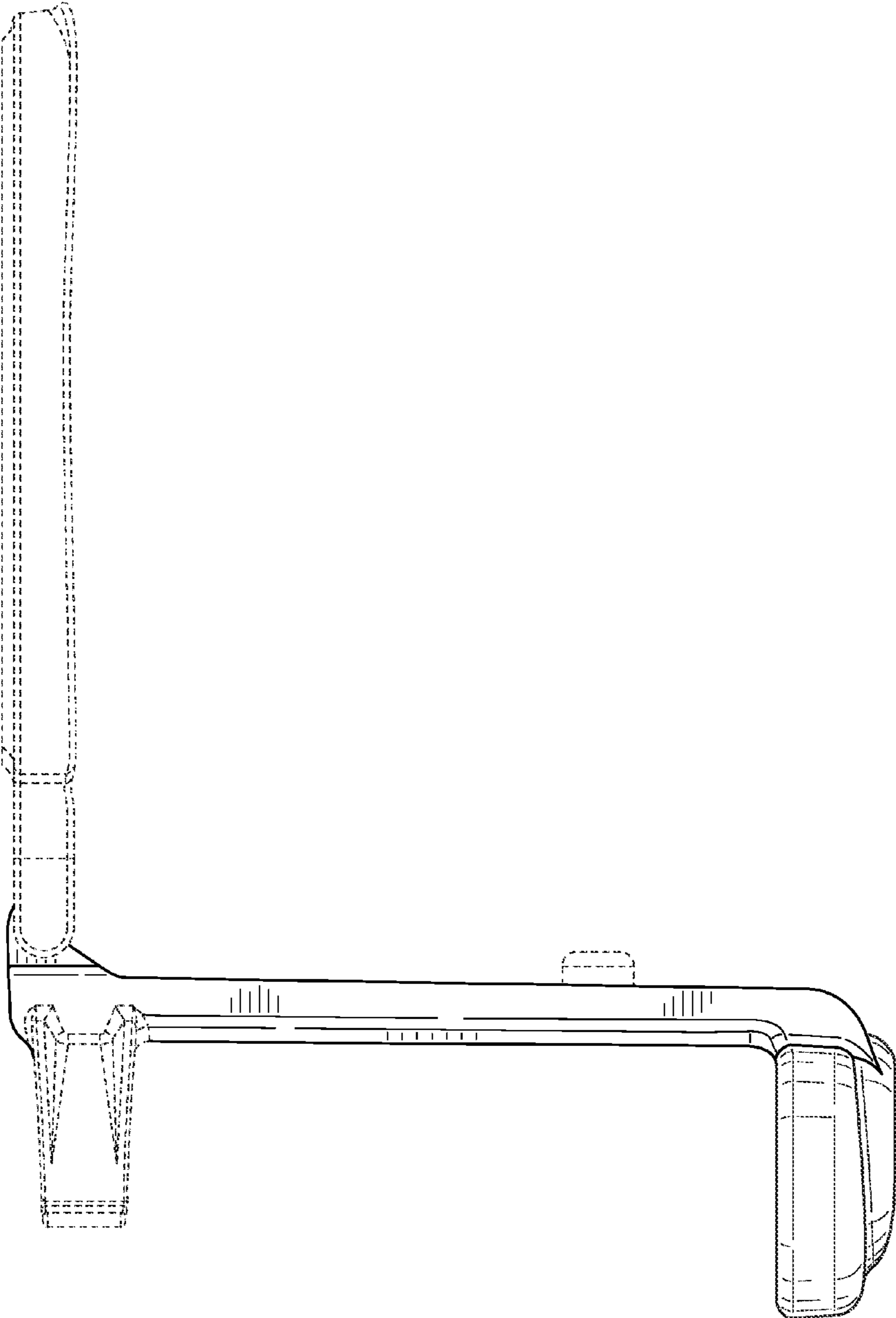


FIG. 3

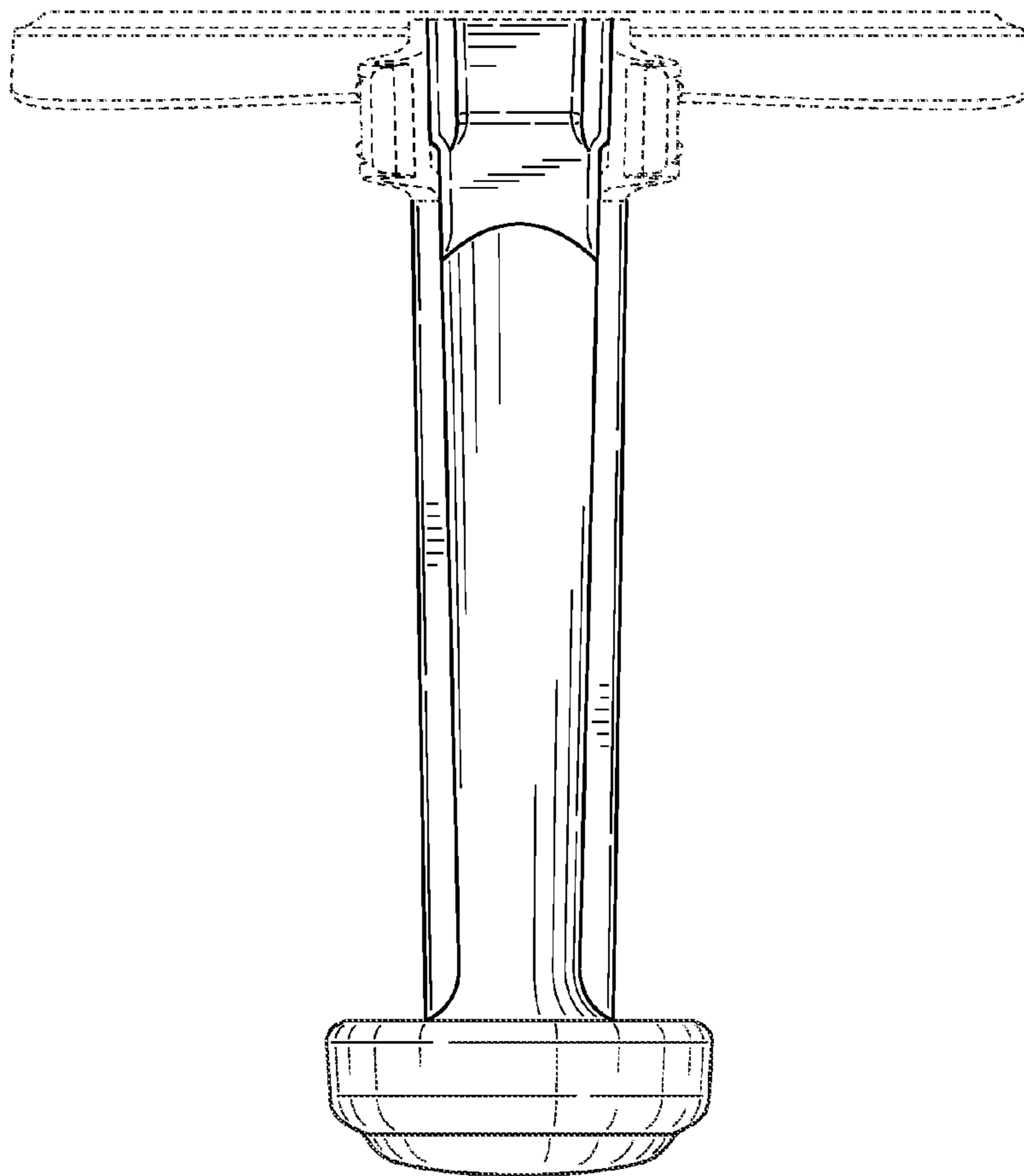


FIG. 4

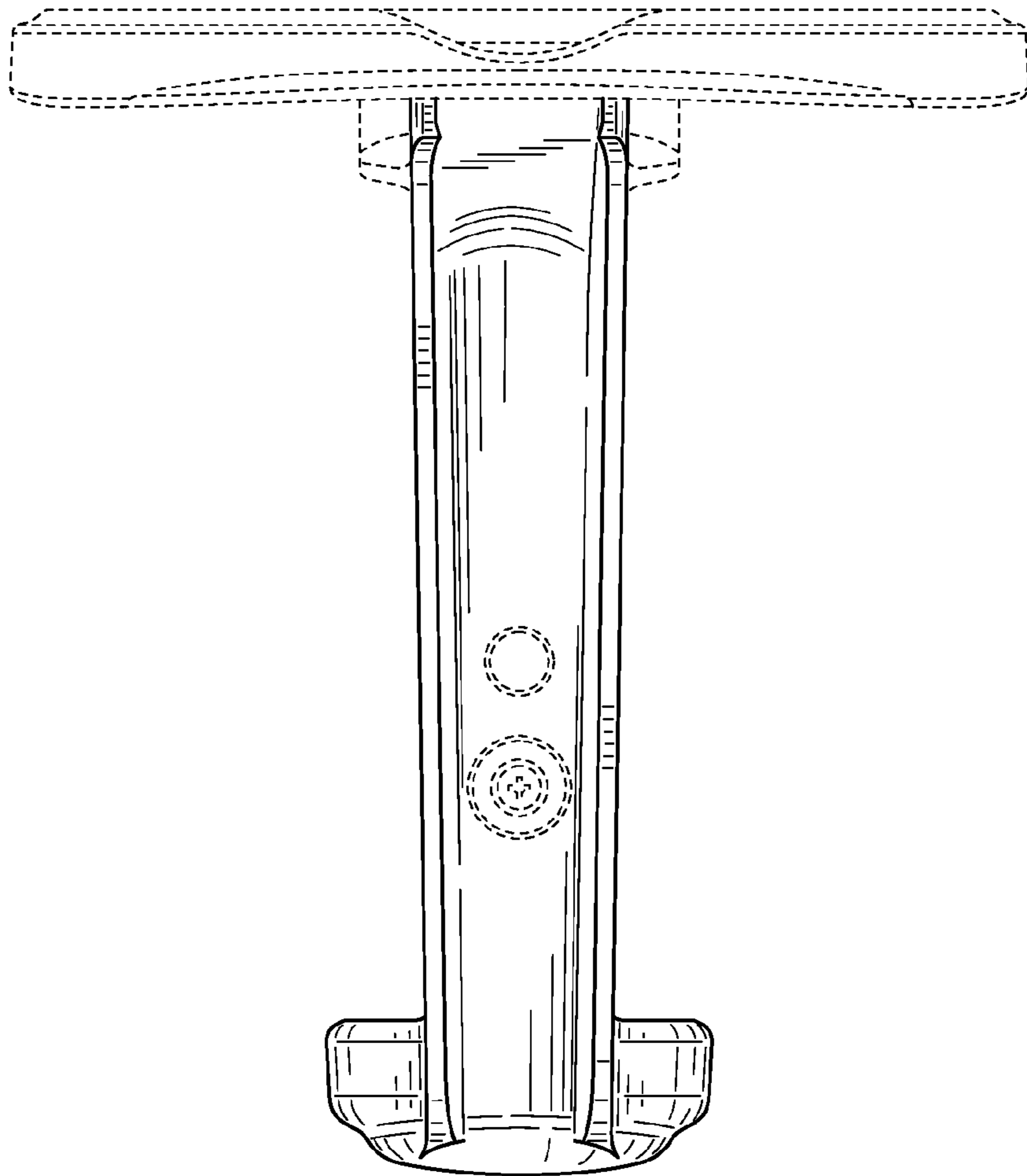


FIG. 5

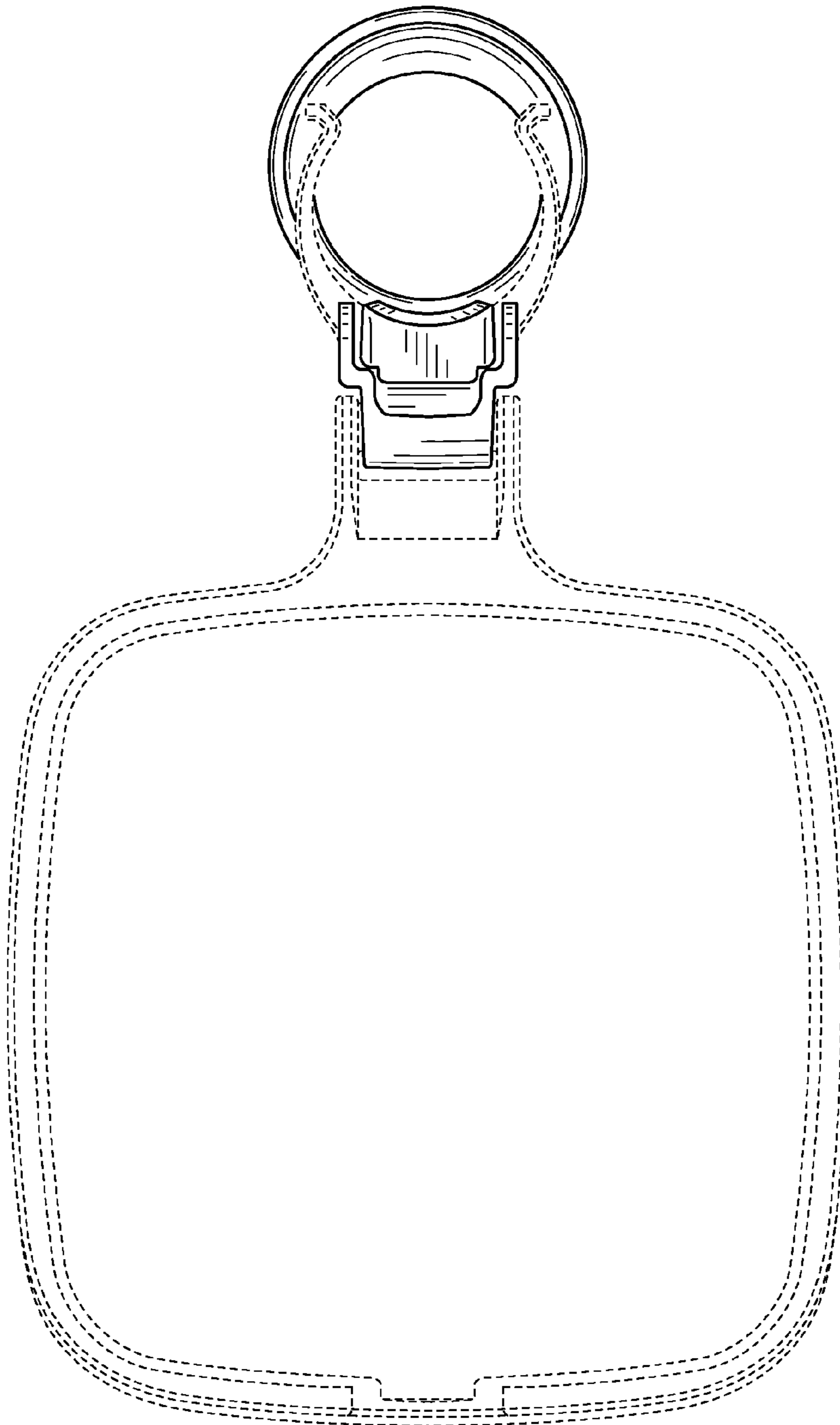


FIG. 6



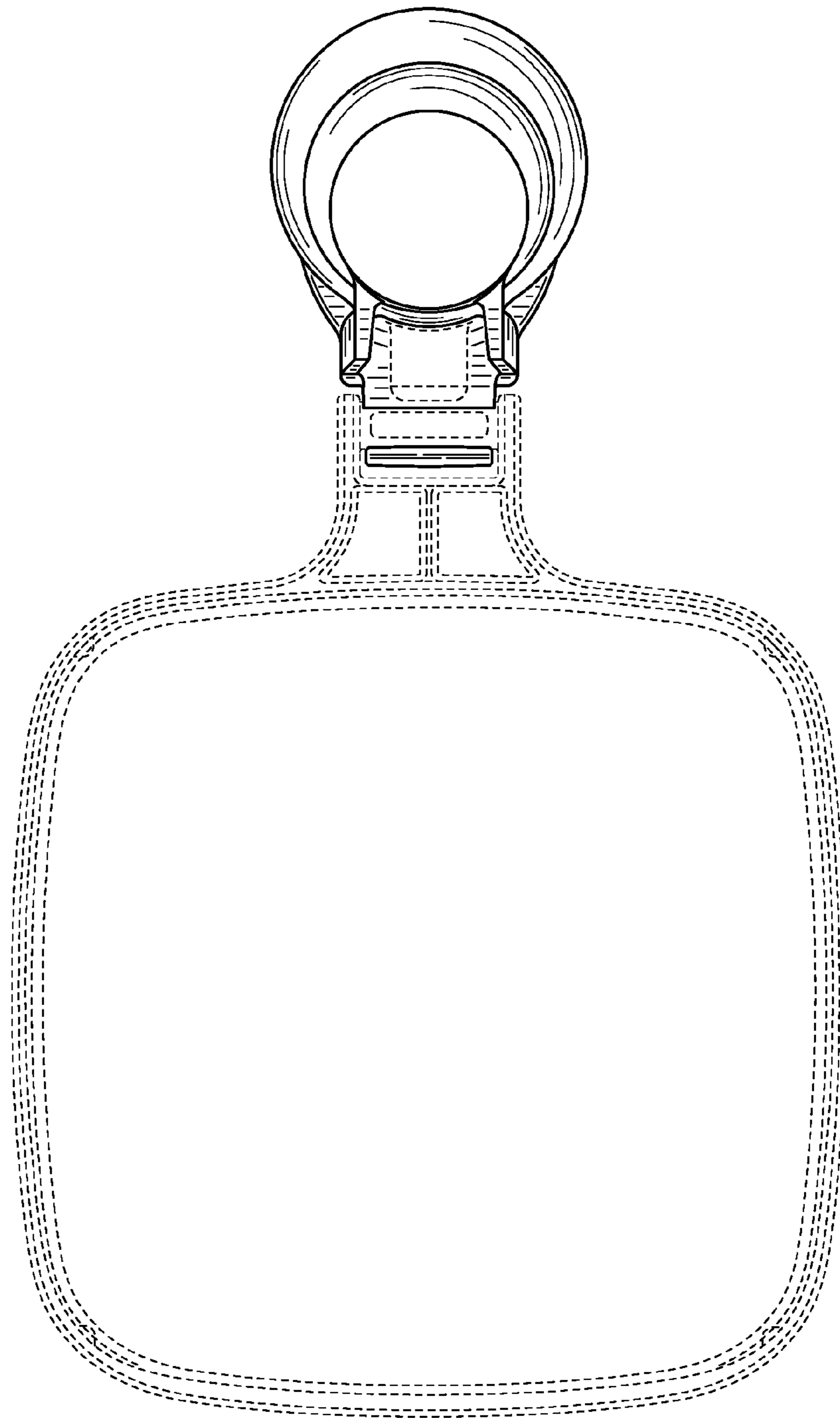


FIG. 7