



US00D771434S

(12) **United States Design Patent** (10) **Patent No.:** **US D771,434 S**
Burrows (45) **Date of Patent:** **** Nov. 15, 2016**

(54) **REUSABLE COFFEE POD**
(71) Applicant: **Remington Designs, LLC**, Valencia, CA (US)
(72) Inventor: **Bruce D. Burrows**, Valencia, CA (US)
(73) Assignee: **REMINGTON DESIGNS, LLC**, Valencia, CA (US)

8,561,524 B2 * 10/2013 DeMiglio A47J 31/0689
210/232
D694,579 S * 12/2013 Khubani D7/400
D694,851 S * 12/2013 Solakian D23/209
D707,489 S * 6/2014 Hertaus D7/397
D721,536 S * 1/2015 Advani D7/400
D723,329 S * 3/2015 Dakis D7/399
D723,868 S * 3/2015 Hertaus D7/399
D747,139 S * 1/2016 Rondelli D7/400
2013/0220142 A1 * 8/2013 Tremblay A47J 31/005
99/323

(**) Term: **14 Years**

* cited by examiner

(21) Appl. No.: **29/514,906**

Primary Examiner — Marianne Pandozzi

(22) Filed: **Jan. 16, 2015**

(74) *Attorney, Agent, or Firm* — Koppel, Patrick, Heybl & Philpott

(51) **LOC (10) Cl.** **07-01**

(52) **U.S. Cl.**
USPC **D7/400; D7/399**

(57) **CLAIM**
The ornamental design for a reusable coffee pod, as shown.

(58) **Field of Classification Search**
USPC D7/400, 398, 399; D11/154, 152;
D3/304, 306; D23/209; 99/279, 316,
99/303, 290, 323, 300, 295
CPC A47J 31/00; A47J 31/44; A47J 31/057;
A47J 47/00; A47J 47/16; A47J 31/446
See application file for complete search history.

DESCRIPTION

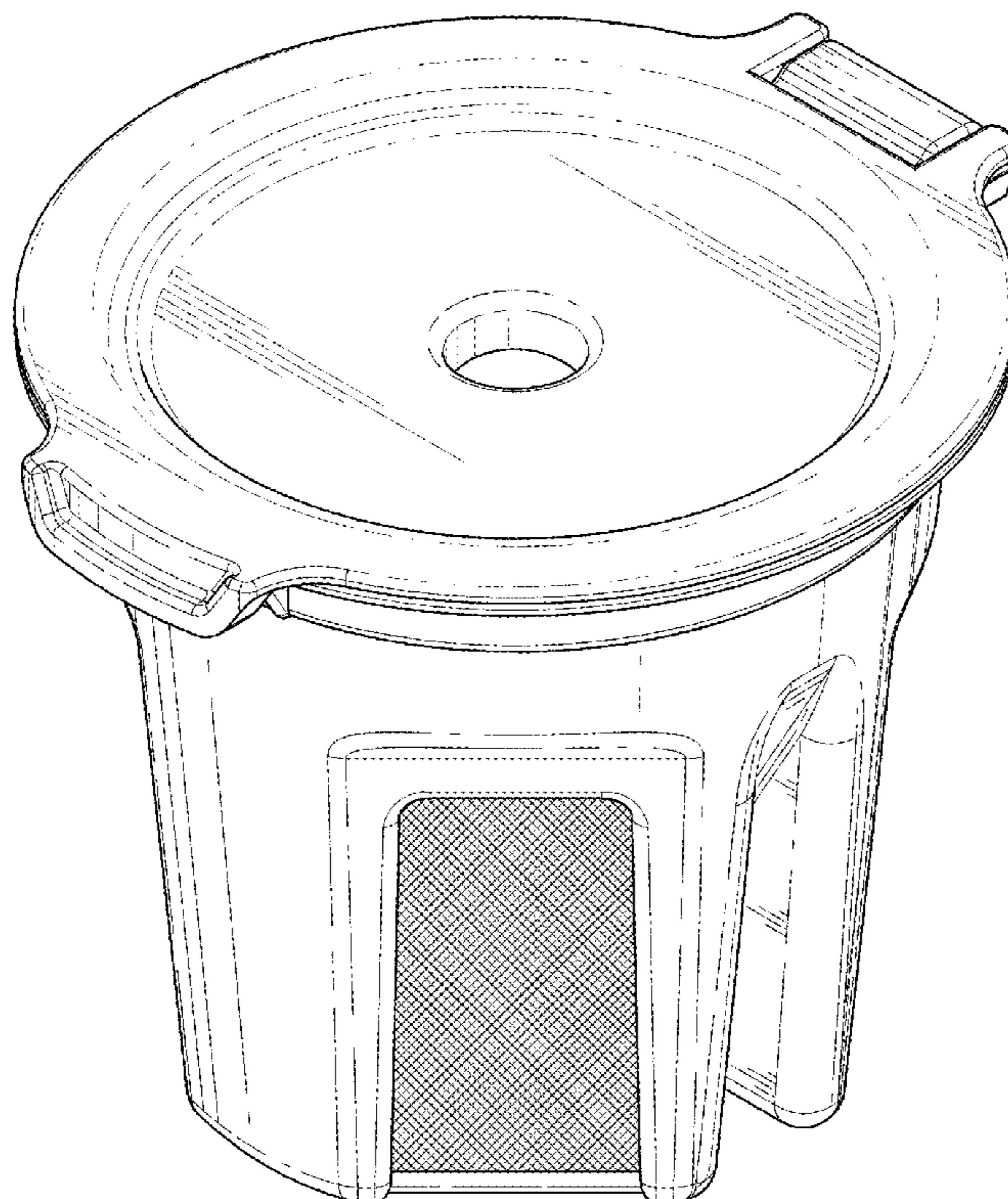
FIG. 1 is a perspective view showing the front, top and right sides of the reusable coffee pod;
FIG. 2 is a front elevation view of the reusable coffee pod;
FIG. 3 is a left side elevation view of the reusable coffee pod;
FIG. 4 is a right side elevation view of the reusable coffee pod;
FIG. 5 is a rear elevation view of the reusable coffee pod;
FIG. 6 is a top plan view of the reusable coffee pod; and,
FIG. 7 is a bottom plan view of the reusable coffee pod.

(56) **References Cited**

U.S. PATENT DOCUMENTS

D255,313 S * 6/1980 Elkerbout D7/400
D677,120 S * 3/2013 DeMiglio D7/400
D688,095 S * 8/2013 DeMiglio D7/400

1 Claim, 7 Drawing Sheets



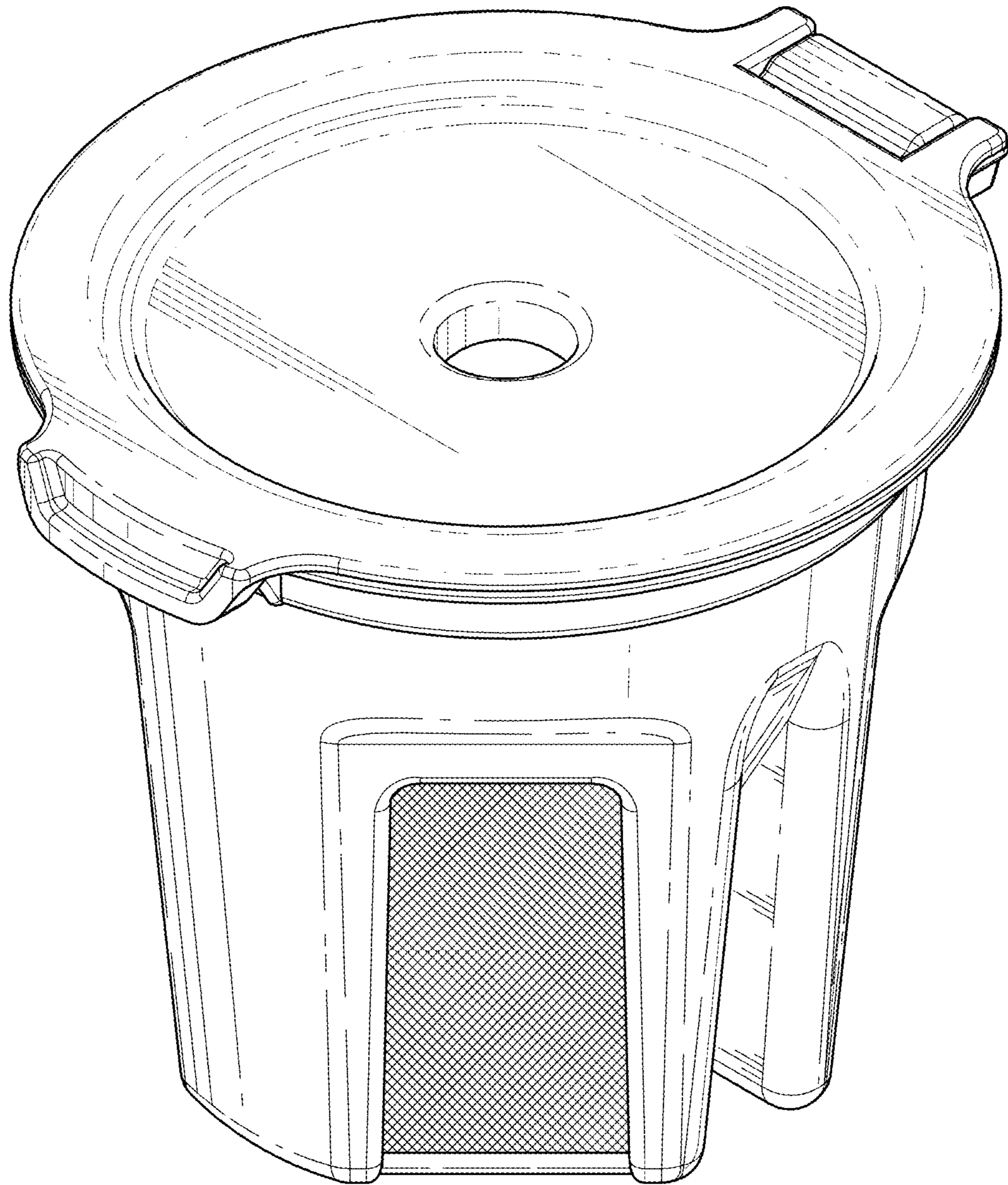


FIG. 1

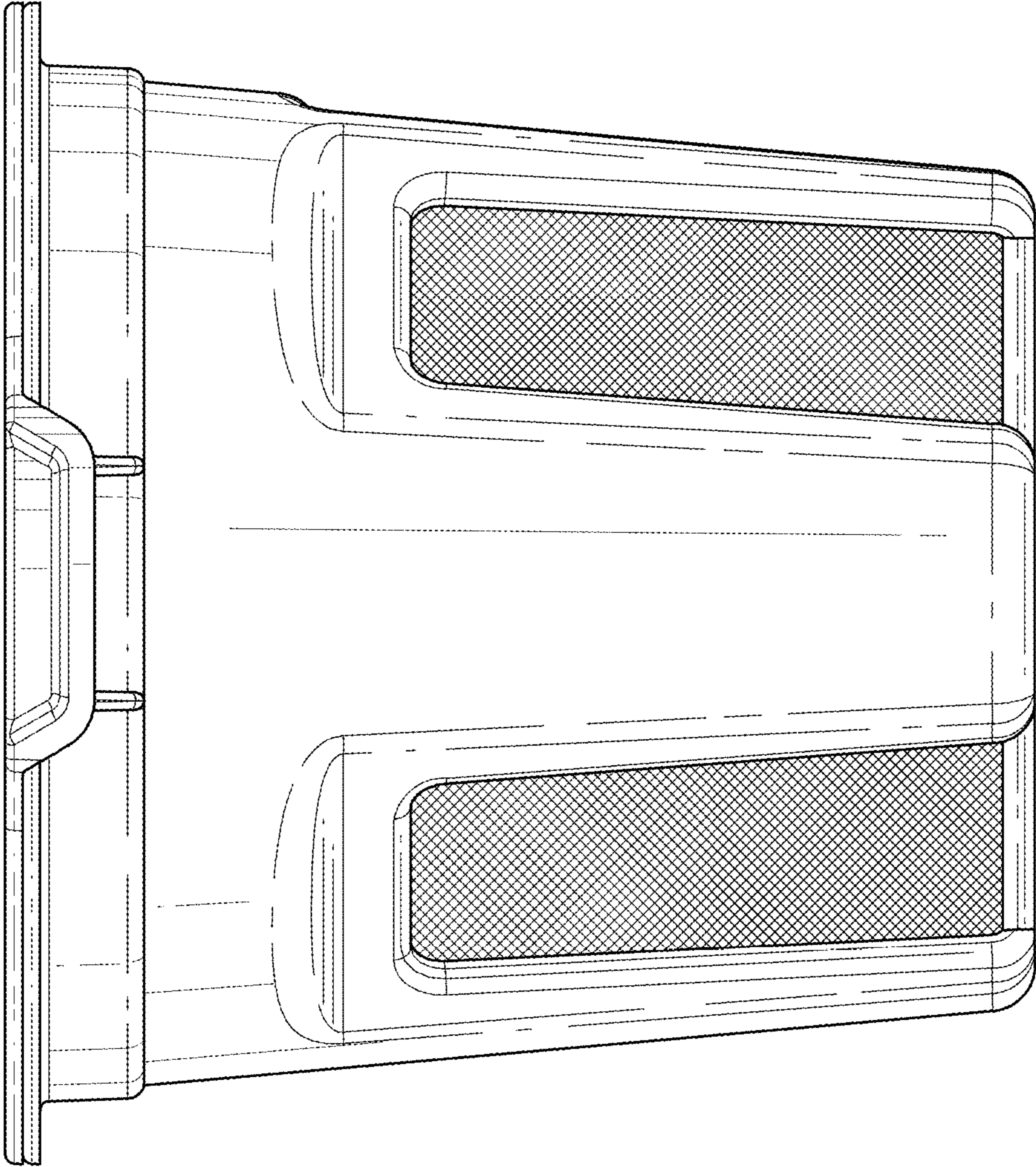


FIG. 2

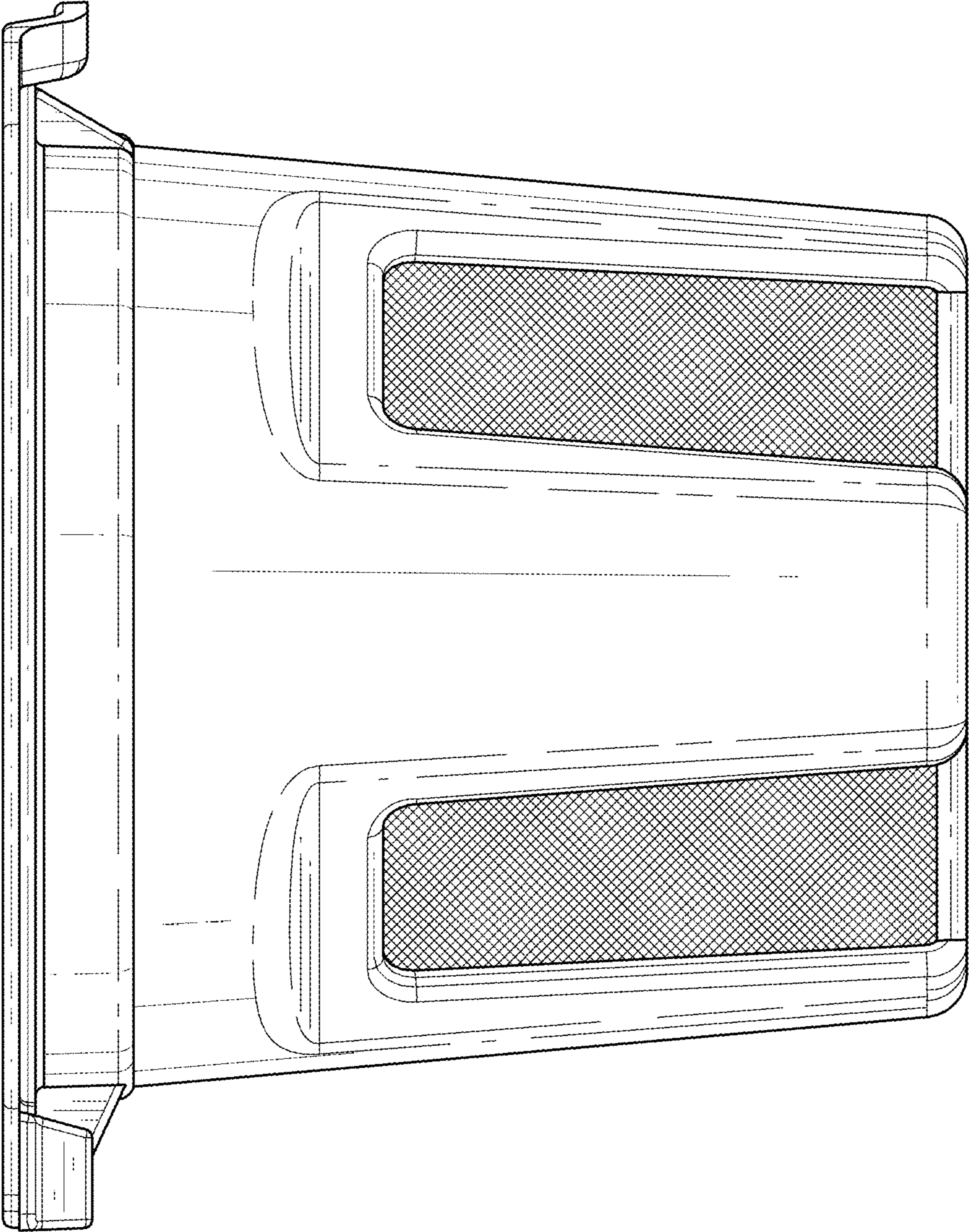


FIG. 3

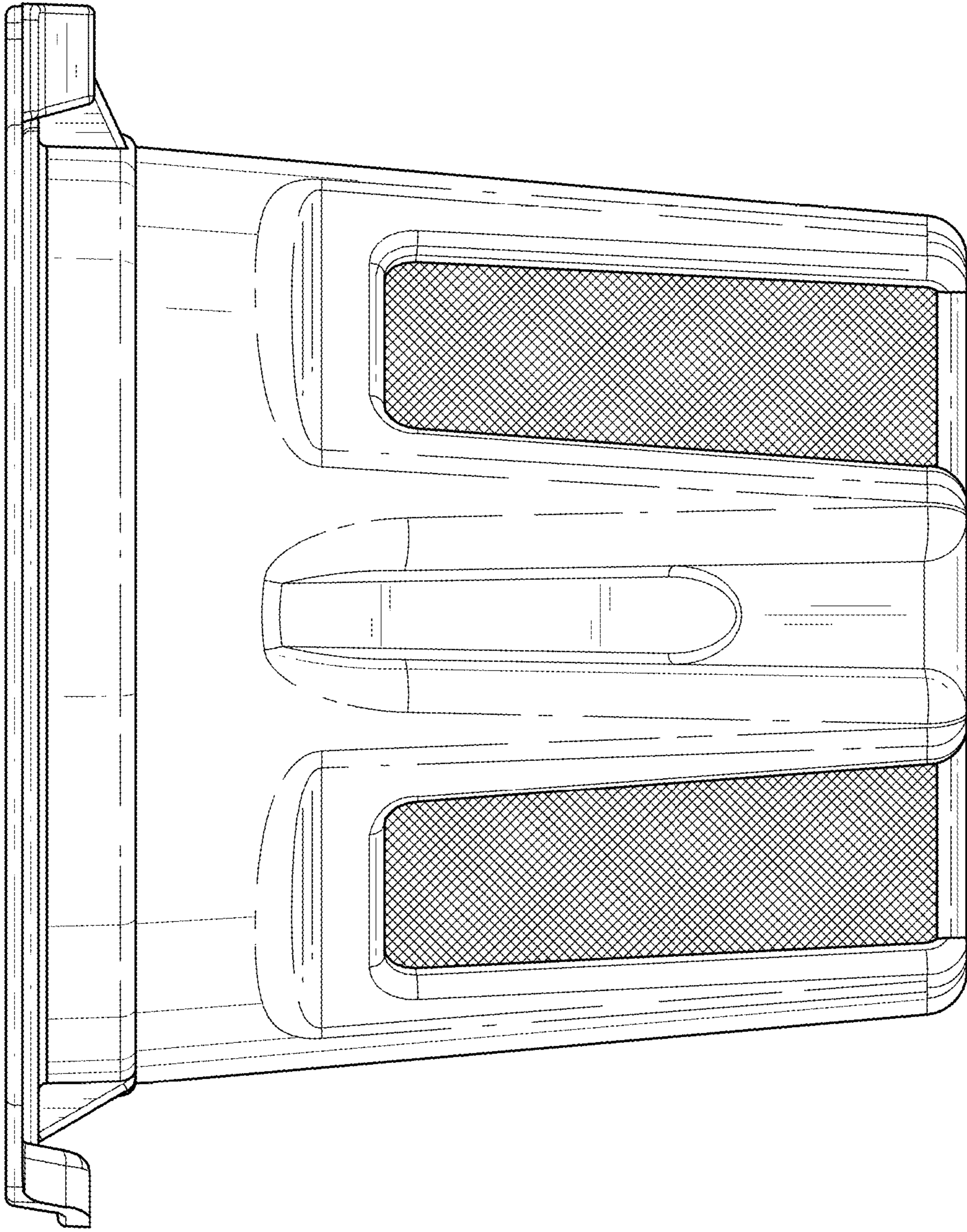


FIG. 4

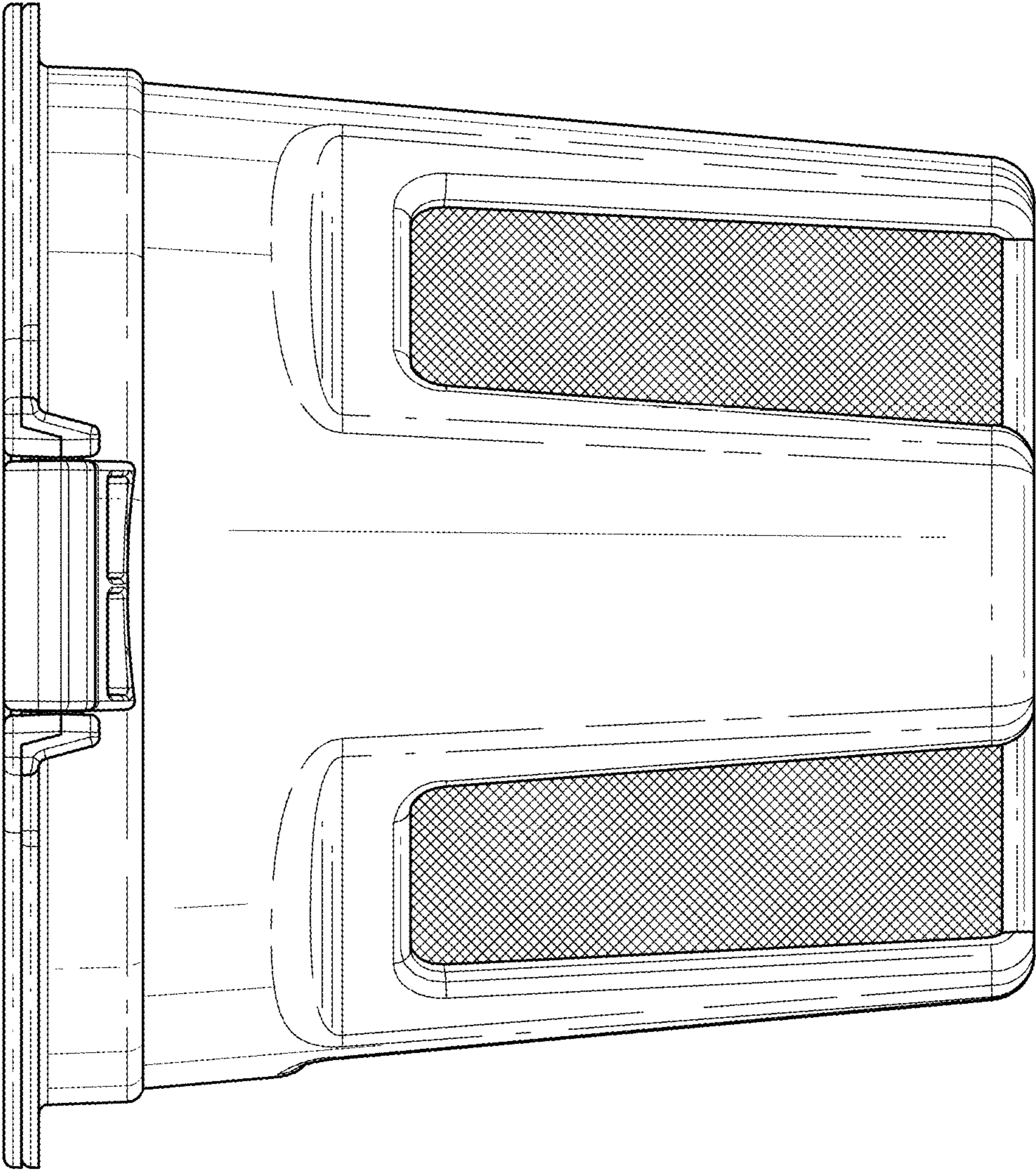


FIG. 5

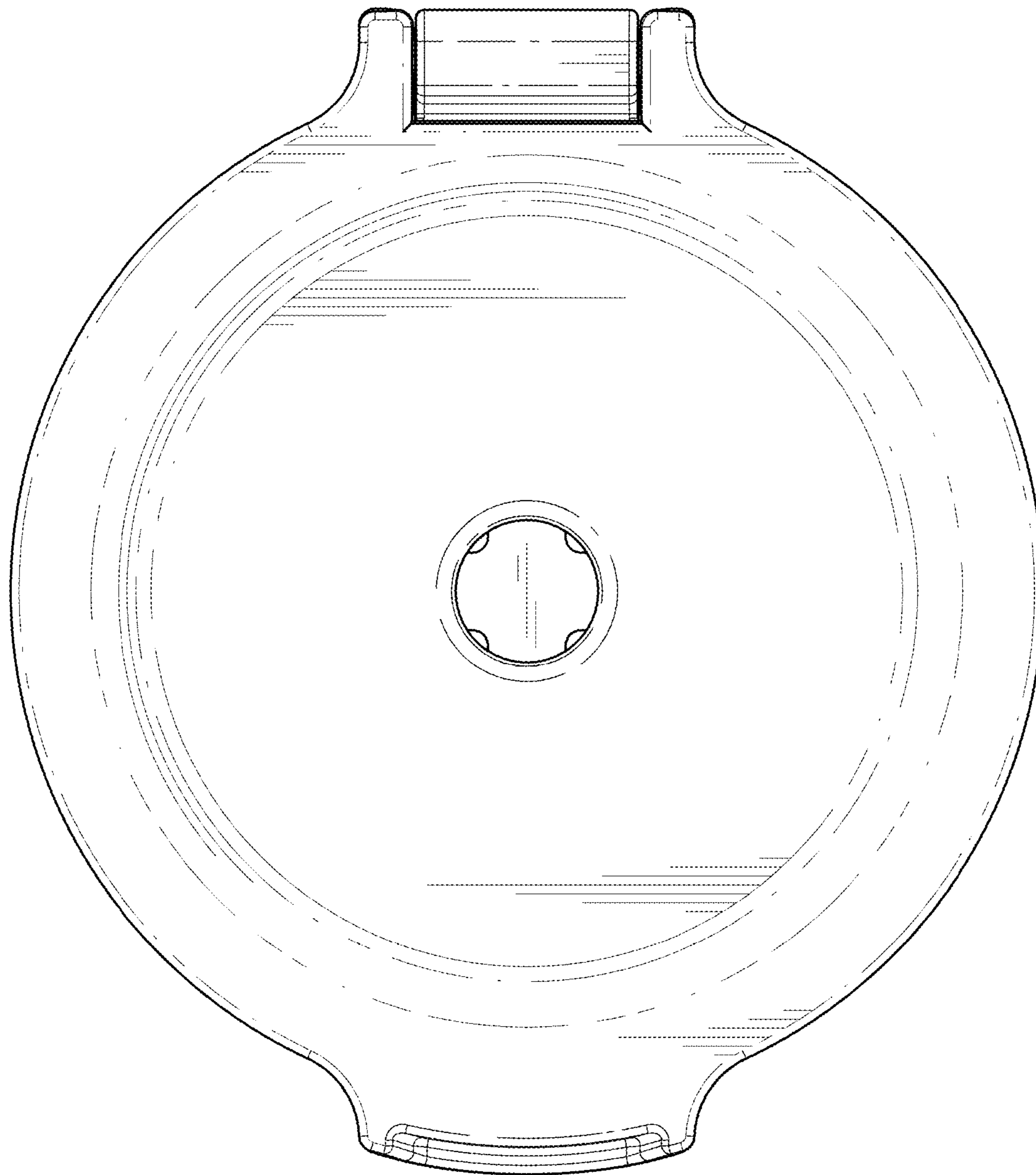


FIG. 6

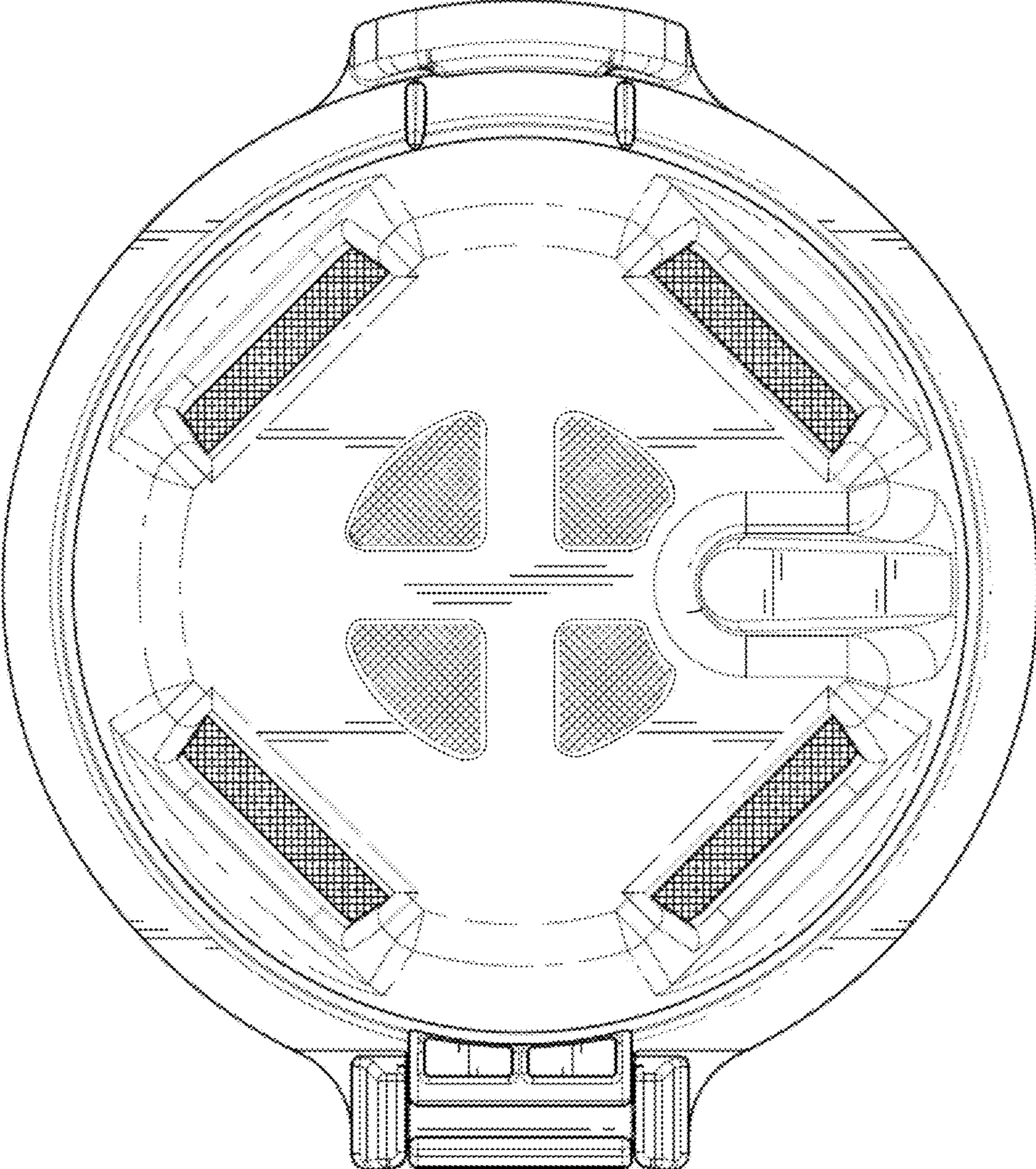


FIG. 7