



US00D771433S

(12) **United States Design Patent** (10) **Patent No.:** **US D771,433 S**
Broen et al. (45) **Date of Patent:** **** Nov. 15, 2016**

- (54) **DISPENSER**
- (71) Applicant: **PepsiCo, Inc.**, Purchase, NY (US)
- (72) Inventors: **Martin Eduardo Broen**, New York, NY (US); **Stephen Lim**, Chappaqua, NY (US); **Martin Ivar Franzen**, Milan (IT); **Mauro Scamporlino**, Siracusa (IT)
- (73) Assignee: **PepsiCo, Inc.**, Purchase, NY (US)
- (**) Term: **14 Years**
- (21) Appl. No.: **29/517,677**
- (22) Filed: **Feb. 16, 2015**
- (51) **LOC (10) Cl.** **07-99**
- (52) **U.S. Cl.**
 USPC **D7/397**; D7/399; D7/307
- (58) **Field of Classification Search**
 USPC D7/300, 309–311, 306–308, 305, 355, D7/362, 365, 367, 397, 399; 222/146.6, 222/185.1, 135; 99/295, 273, 304, 288, 99/279, 307, 283; D20/4
 CPC A47J 31/46; A47J 31/407; A47J 31/50; A47J 31/18; A47J 31/00; A47J 27/04; A47J 31/0573; A47J 31/52
 See application file for complete search history.

(56) **References Cited**
 U.S. PATENT DOCUMENTS

D215,045 S *	8/1969	Burton	D7/309
D312,021 S *	11/1990	Mohat	D7/308
D335,062 S *	4/1993	Kolada	D15/80
D344,761 S *	3/1994	Muehlberger	D20/1
D345,583 S *	3/1994	Muehlberger	D20/1
D359,874 S *	7/1995	Smith	D7/308
D367,585 S *	3/1996	Piatnik	D7/300
D367,989 S *	3/1996	Mills	D7/300

D368,617 S *	4/1996	Jackson	D7/306
D373,795 S *	9/1996	Bush	D20/4
D390,058 S *	2/1998	Landers	D7/307
D442,417 S *	5/2001	Jones	D7/307
D486,687 S *	2/2004	Strandell	D7/307
D510,675 S *	10/2005	Ball	D7/306
D553,416 S *	10/2007	Lin	D7/306
D699,501 S *	2/2014	Arora	D7/307
D715,584 S *	10/2014	Arora	D7/307

OTHER PUBLICATIONS

JPO's HC27013807 document, Cimbali Espresso Machine, LA Cimbali, p. 5, cited in Decision to Grant for JP App. No. 2015-17998.

JPO's HJ23031961 document, W. W. Grainger, Inc.. Web page, GB8M10-LD-U, cited in Decision to Grant for JP App. No. 2015-17998.

* cited by examiner

Primary Examiner — Marianne Pandozzi

(74) Attorney, Agent, or Firm — Sterne, Kessler, Goldstein & Fox P.L.L.C.

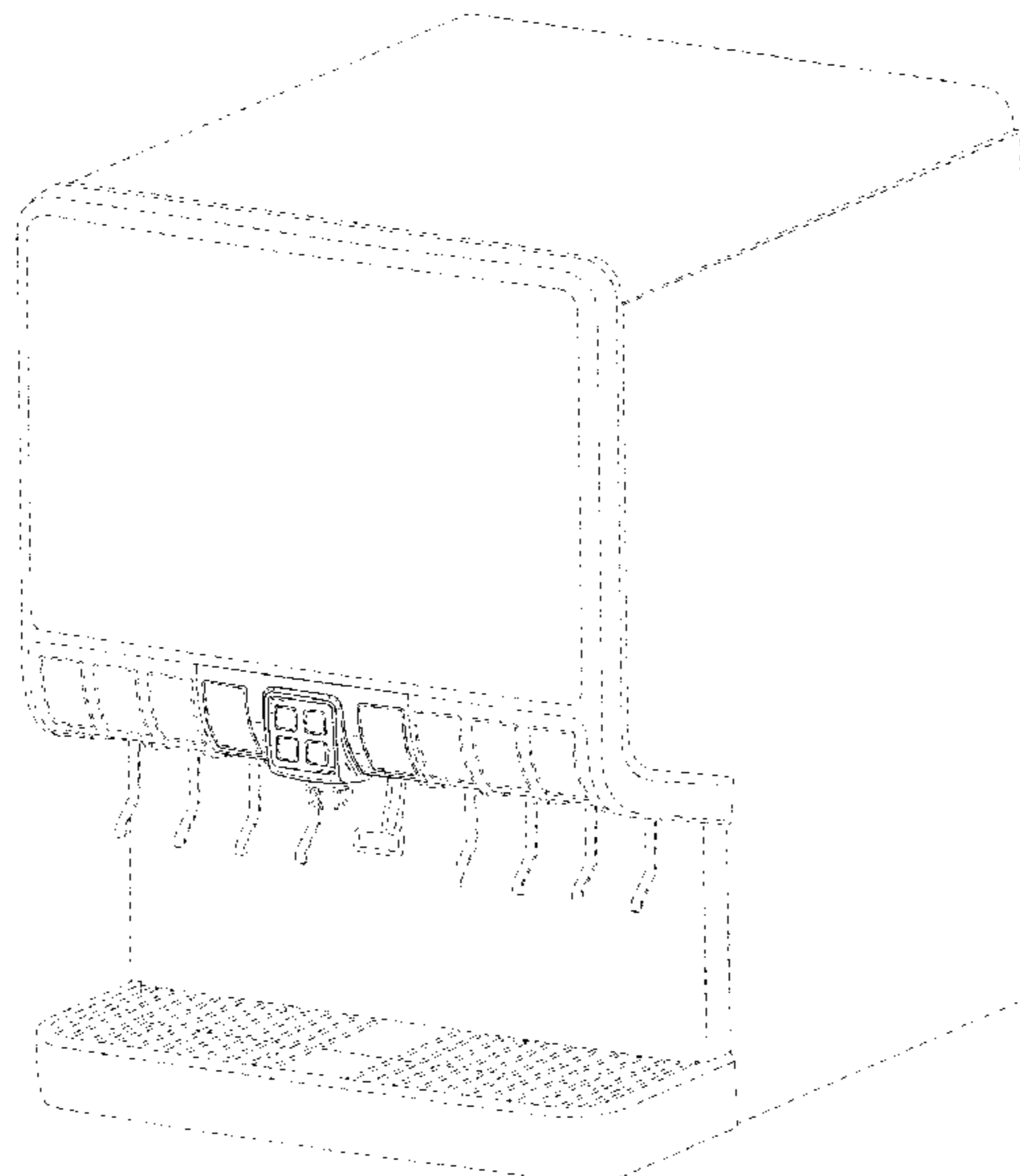
(57) **CLAIM**

The ornamental design for a dispenser, as shown and described.

DESCRIPTION

FIG. 1 is a top, front, right perspective view of a dispenser showing our new design;
 FIG. 2 is a front view thereof; and,
 FIG. 3 is an enlarged view of FIG. 1 with most of the broken line subject matter removed for ease of illustration.
 The uneven-length broken lines represent unclaimed boundaries of the claimed design. The even-length broken lines showing the remainder of the dispenser are for environmental purposes only and form no part of the claimed design.

1 Claim, 3 Drawing Sheets



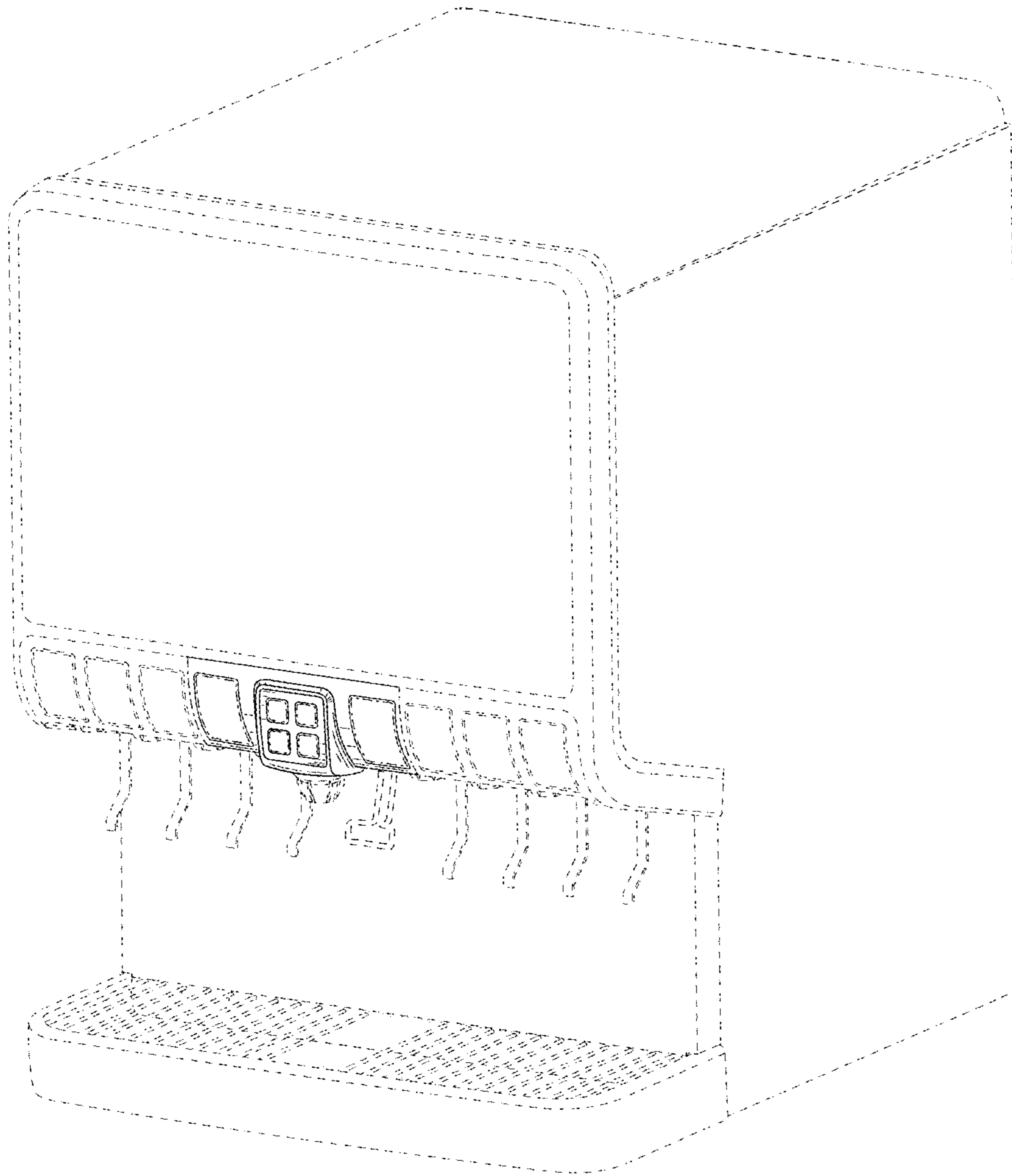


FIG. 1

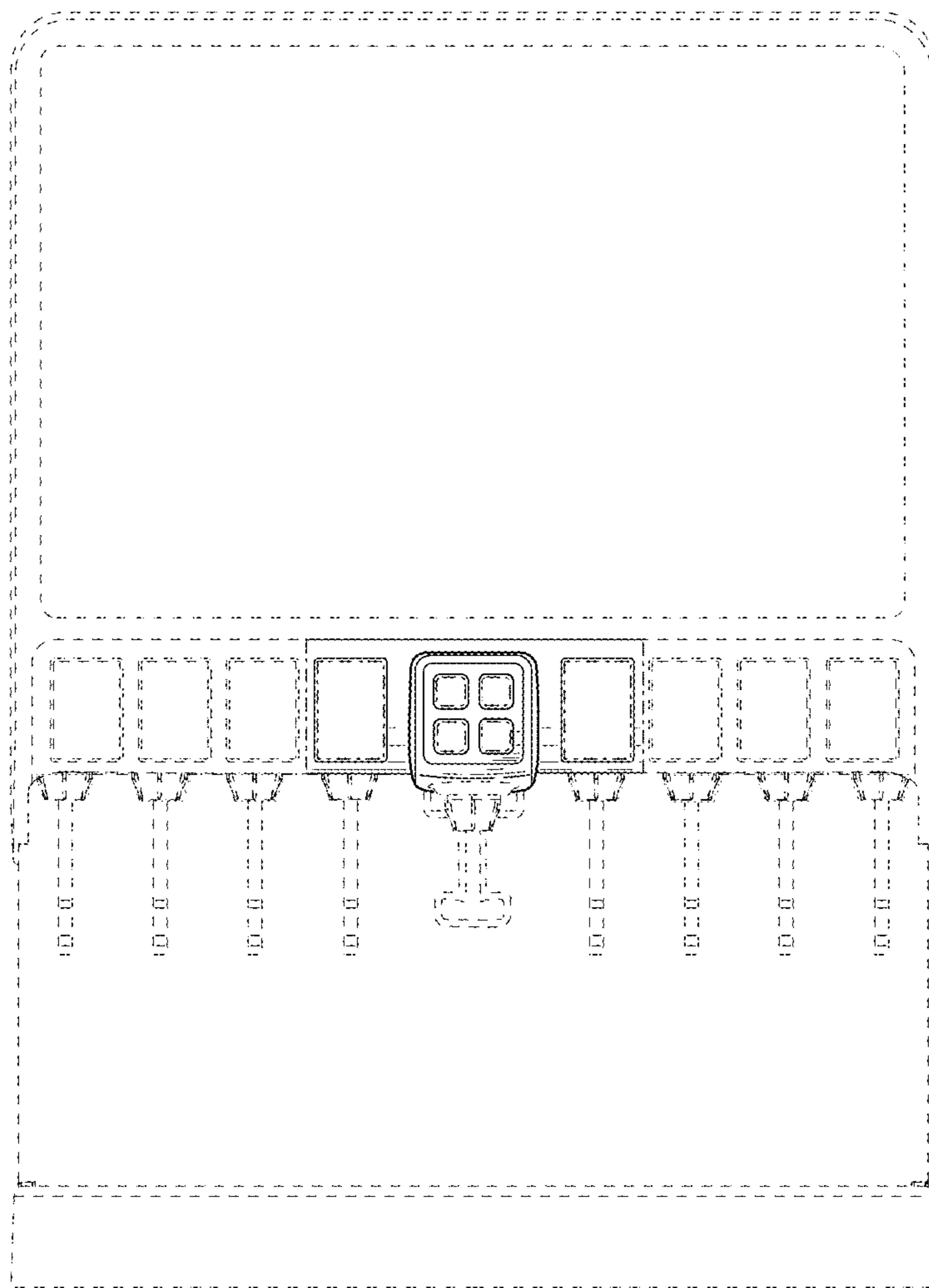


FIG. 2

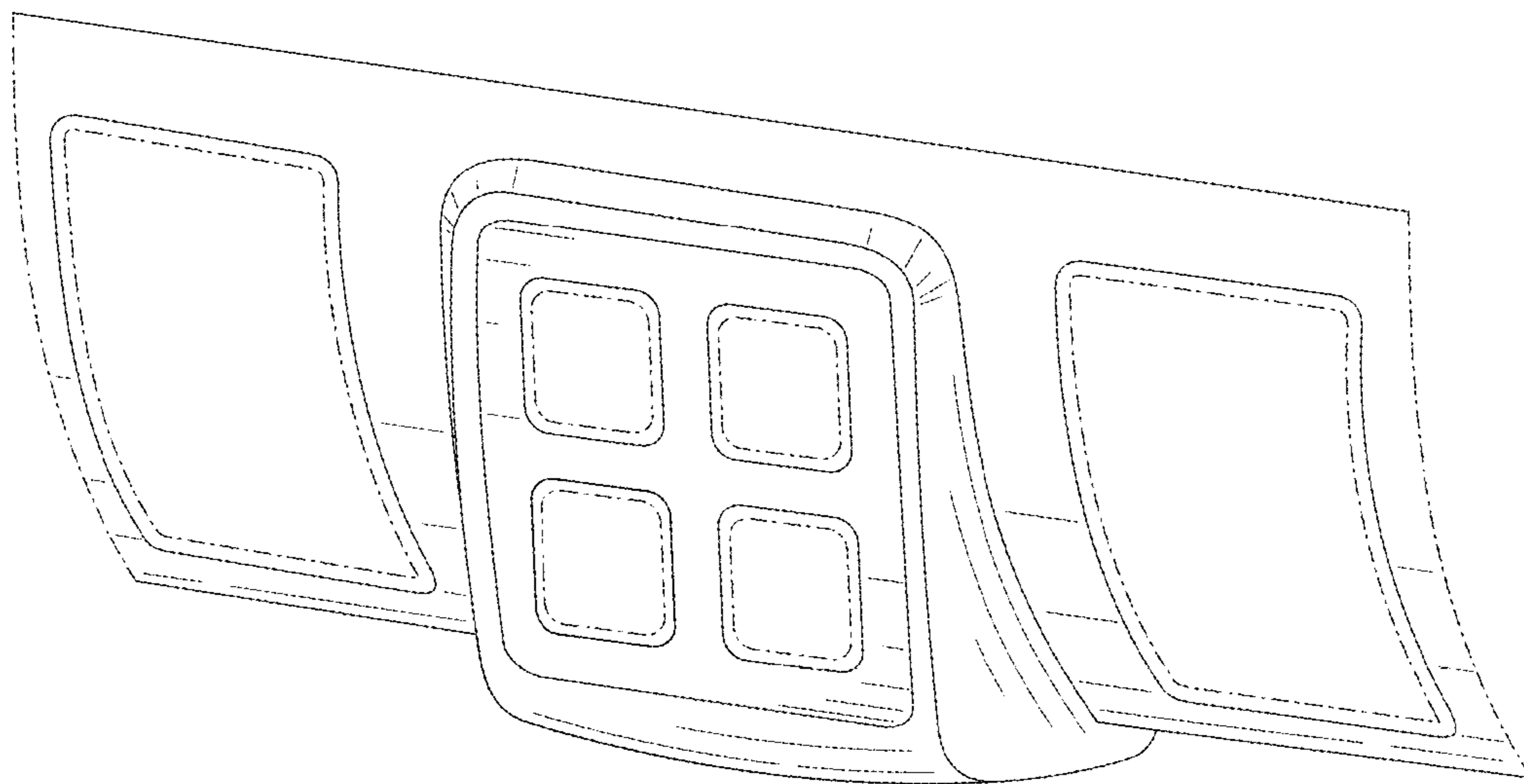


FIG. 3