



US00D771431S

(12) **United States Design Patent** (10) **Patent No.:** **US D771,431 S**  
**Affatato et al.** (45) **Date of Patent:** **\*\* Nov. 15, 2016**

(54) **STEAMER CONTAINER LID**

FOREIGN PATENT DOCUMENTS

(71) Applicant: **CNA International Inc.**, Wood Dale, IL (US)

CN 2464213 12/2001

(72) Inventors: **Kristin Marie Affatato**, Elmhurst, IL (US); **Steve Cho**, Chicago, IL (US); **Hyunchul Kim**, Chicago, IL (US); **Patrick Scott Nally**, Seattle, WA (US)

OTHER PUBLICATIONS

Pyrex No-Leak System, <http://www.pyrexware.com/pyrex-no-leak>, at least as early as Jul. 1, 2014.

(Continued)

(73) Assignee: **CNA International Inc.**, Wood Dale, IL (US)

*Primary Examiner* — Ricky Pham

(\*\*) Term: **14 Years**

(74) *Attorney, Agent, or Firm* — McDermott Will & Emery LLP

(21) Appl. No.: **29/519,624**

(22) Filed: **Mar. 6, 2015**

(51) **LOC (10) Cl.** ..... **07-02**

(52) **U.S. Cl.**  
USPC ..... **D7/391; D7/354**

(58) **Field of Classification Search**  
USPC ..... D7/391, 392, 392.1, 393, 397, 601–602, D7/629–630, 538–542; D9/414, 424–432, D9/435, 451–454  
CPC ..... A47J 36/027; A47J 36/06; A47J 37/10; A47J 37/101; B65D 21/0209; B65D 43/00; B65D 43/02; B65D 43/0206; B65D 43/022; B65D 43/161; B65D 43/162; B65D 45/00; B65D 45/16; B65D 45/18; B65D 51/16; B65D 51/1683; B65D 51/1688; B65D 51/1694; B65D 2251/00; B65F 1/1615

See application file for complete search history.

(57) **CLAIM**

The ornamental design for a steamer container lid, as shown and described.

**DESCRIPTION**

FIG. 1 is a front top perspective view of a steamer container lid according to the new design.

FIG. 2 is a back bottom perspective view of the steamer container lid shown in FIG. 1.

FIG. 3 is a right side view of the steamer container lid shown in FIG. 1.

FIG. 4 is a left side view of the steamer container lid shown in FIG. 1.

FIG. 5 is a front view of the steamer container lid shown in FIG. 1.

FIG. 6 is a back view of the steamer container lid shown in FIG. 1.

FIG. 7 is a top view of the steamer container lid shown in FIG. 1; and,

FIG. 8 is a bottom view of the steamer container lid shown in FIG. 1.

Features shown in broken lines in the drawings are not part of the claim.

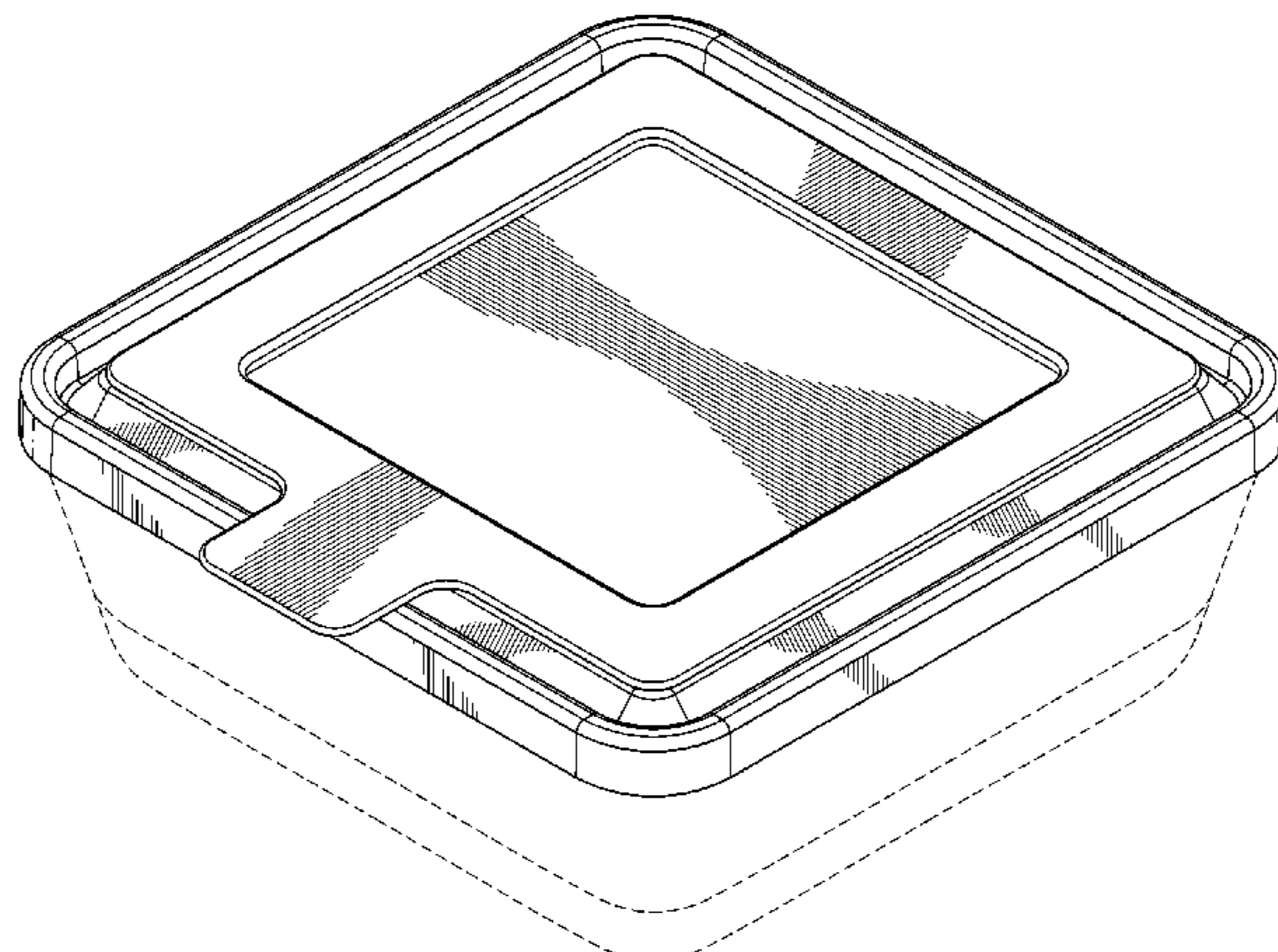
(56) **References Cited**

U.S. PATENT DOCUMENTS

3,485,163	A	12/1969	Arita	
D272,595	S *	2/1984	Chase	D7/629
4,574,776	A	3/1986	Hidle	
4,626,352	A	12/1986	Massey et al.	
D326,797	S *	6/1992	Pomroy	D7/354
5,195,424	A	3/1993	Guajaca	
D339,958	S	10/1993	Olsen	
5,363,978	A	11/1994	Molo	

(Continued)

**1 Claim, 6 Drawing Sheets**



(56)

References Cited

U.S. PATENT DOCUMENTS

D360,105 S \* 7/1995 Doxey ..... D7/391  
 D373,704 S 9/1996 Doxey  
 D381,268 S 7/1997 Rush  
 5,750,967 A 5/1998 Sprauer, Jr.  
 5,931,333 A 8/1999 Woodnorth et al.  
 D415,652 S 10/1999 Loew  
 D416,754 S \* 11/1999 Laib ..... D7/391  
 D417,817 S 12/1999 Loew  
 D419,829 S \* 2/2000 Wilson ..... D7/629  
 D422,176 S 4/2000 Laib  
 D445,687 S 7/2001 Gilbertson  
 D466,364 S \* 12/2002 Demore ..... D7/391  
 D476,861 S 7/2003 Zettle  
 D490,278 S \* 5/2004 Welsh ..... D7/629  
 D505,839 S \* 6/2005 Stanos ..... D7/629  
 6,952,000 B2 10/2005 Ohyama  
 D523,296 S 6/2006 Kim  
 7,131,550 B2 11/2006 Vilalta et al.  
 D536,571 S \* 2/2007 Kim ..... D7/391  
 D537,300 S 2/2007 Kim  
 D543,077 S 5/2007 Kim  
 D544,762 S \* 6/2007 Zimmerman ..... D7/601  
 D566,483 S 4/2008 Tucker  
 D568,693 S \* 5/2008 Furlong ..... D7/629  
 D575,114 S 8/2008 Moghavem  
 D575,115 S 8/2008 Zimmerman  
 D585,699 S \* 2/2009 Furlong ..... D7/392.1  
 D606,813 S 12/2009 Kim  
 D611,807 S \* 3/2010 Miga, Jr. .... D9/424  
 D612,196 S 3/2010 Furlong  
 D613,111 S \* 4/2010 Furlong ..... D7/392.1  
 D615,349 S \* 5/2010 Furlong ..... D7/392.1  
 7,726,483 B2 \* 6/2010 Ramanujam ..... B65D 21/0223  
 206/499  
 D621,667 S 8/2010 Ablo  
 D633,757 S 3/2011 Smyers  
 D660,092 S \* 5/2012 Kyung ..... D7/629  
 D673,807 S 1/2013 Grider  
 D676,276 S 2/2013 Muspratt-Williams  
 D677,159 S 3/2013 Sina  
 8,592,736 B2 11/2013 DiLonardo et al.  
 D698,199 S \* 1/2014 Yessin ..... D7/392.1  
 D705,593 S 5/2014 Stamper  
 8,729,438 B2 5/2014 Iwasaki  
 D708,470 S 7/2014 Heiberg  
 8,850,964 B2 10/2014 Pawlick et al.  
 8,866,056 B2 10/2014 Shapiro et al.  
 D721,246 S \* 1/2015 Thurin ..... D7/392.1  
 D723,339 S \* 3/2015 Maxwell ..... D7/629  
 D730,127 S \* 5/2015 Maxwell ..... D7/629  
 D735,524 S \* 8/2015 Holding ..... D7/392.1  
 D742,224 S \* 11/2015 Thurin ..... D7/629  
 D751,335 S \* 3/2016 Shirley ..... D7/391  
 9,340,334 B2 \* 5/2016 DeSiena ..... B65D 45/16  
 2002/0060216 A1 5/2002 Chan  
 2003/0116572 A1 6/2003 Klock et al.  
 2004/0040961 A1 3/2004 Vilalta et al.  
 2004/0232026 A1 11/2004 Goeking et al.  
 2009/0014443 A1 1/2009 Skaife  
 2009/0026205 A1 1/2009 Moon

2009/0107993 A1 4/2009 Ohyama  
 2009/0200296 A1 8/2009 Iwasaki  
 2011/0114638 A1 \* 5/2011 Kettner ..... B65D 43/021  
 220/260  
 2013/0284727 A1 10/2013 Tai  
 2014/0042167 A1 2/2014 Lindsay et al.  
 2014/0138376 A1 5/2014 Cheung  
 2014/0224799 A1 8/2014 Iwasaki  
 2014/0224823 A1 8/2014 Iwasaki

OTHER PUBLICATIONS

Anchor True-Seal System, [http://anchorhocking.com/prod\\_208true seal.html](http://anchorhocking.com/prod_208true seal.html), at least as early as Jul. 1, 2014.  
 NordicWare Essentials Microwave Cook Set, <https://www.amazon.com/Nordic-Ware-Microwave-6-Piece-Essentials/dp/B00008UA3K>, at least as early as Jul. 1, 2014.  
 MicroBuddy (As Seen on TV), <https://www.seenontv.com/product/microbuddy>, at least as early as Jul. 1, 2014.  
 Tupperware Heat n' Serve, <https://www.amazon.com/Tupperware-Heat-Serve-Containers-Bowls/dp/B004USS8SY>, at least as early as Jul. 1, 2014.  
 Ziploc VersaGlass Containers, <http://www.walmart.com/ip/Ziploc-6pc-VersaGlass-Container-Variety-Pack/15819201>, at least as early as Jul. 1, 2014.  
 Tupperware Clear Bowl, <https://www.amazon.com/TP-840-T177-Tupperware-Clear-Bowl-Slimline/dp/B00NV1QH3> . . . , at least as early as Jul. 1, 2014.  
 Martha Stewart Collection, <http://www1.macys.com/shop/product/martha-stewart-collection-12-piece-glass-food-storage> . . . , at least as early as Jul. 1, 2014.  
 Snapware Tempered Glasslock Storage Containers, <https://www.amazon.com/Snapware-Tempered-Glasslock-Containers-Micro-wave/dp/B008T> . . . , at least as early as Jul. 1, 2014.  
 Rubbermaid Glass Containers, [http://www.target.com/p/rubbermaid-10-pc-glass-food-storage-set/-/A-14051268?ref=tgt\\_ad](http://www.target.com/p/rubbermaid-10-pc-glass-food-storage-set/-/A-14051268?ref=tgt_ad) . . . , at least as early as Jul. 1, 2014.  
 NordicWare Microwave Steamer, [https://www.nordicware.com/store/product\\_detail/vegetable-seafood-steamer](https://www.nordicware.com/store/product_detail/vegetable-seafood-steamer), at least as early as Jul. 1, 2014.  
 Progressive MiracleWare Fish and Vegetable Steamer, <http://progressiveintl.com/products/microwave-fish-and-veggie-steamer>, at least as early as Jul. 1, 2014.  
 Sistema Oatmeal Maker, <http://sistemaplastics.com/products/microwave/Breakfast-Bowl>, at least as early as Jul. 1, 2014.  
 Sistema Steamer, <http://sistemaplastics.com/products/microwave/large-microwave-steamer>, at least as early as Jul. 1, 2014.  
 NordicWare Microwave Bacon Rack, <http://www.walmart.com/ip/Nordic-Ware-Reversible-Microwave-Bacon-Rack/14913043?w> . . . , at least as early as Jul. 1, 2014.  
 NordicWare Popcorn Popper, [https://www.nordicware.com/store/product\\_detail/microwave-popcorn-popper](https://www.nordicware.com/store/product_detail/microwave-popcorn-popper), at least as early as Jul. 1, 2014.  
 Progressive Microwave Grill, <http://progressiveintl.com/products/large-microwave-grill>, at least as early as Jul. 1, 2014.  
 International Search Report for related International Application No. PCT/US2016/020968, mailed May 2, 2016.

\* cited by examiner

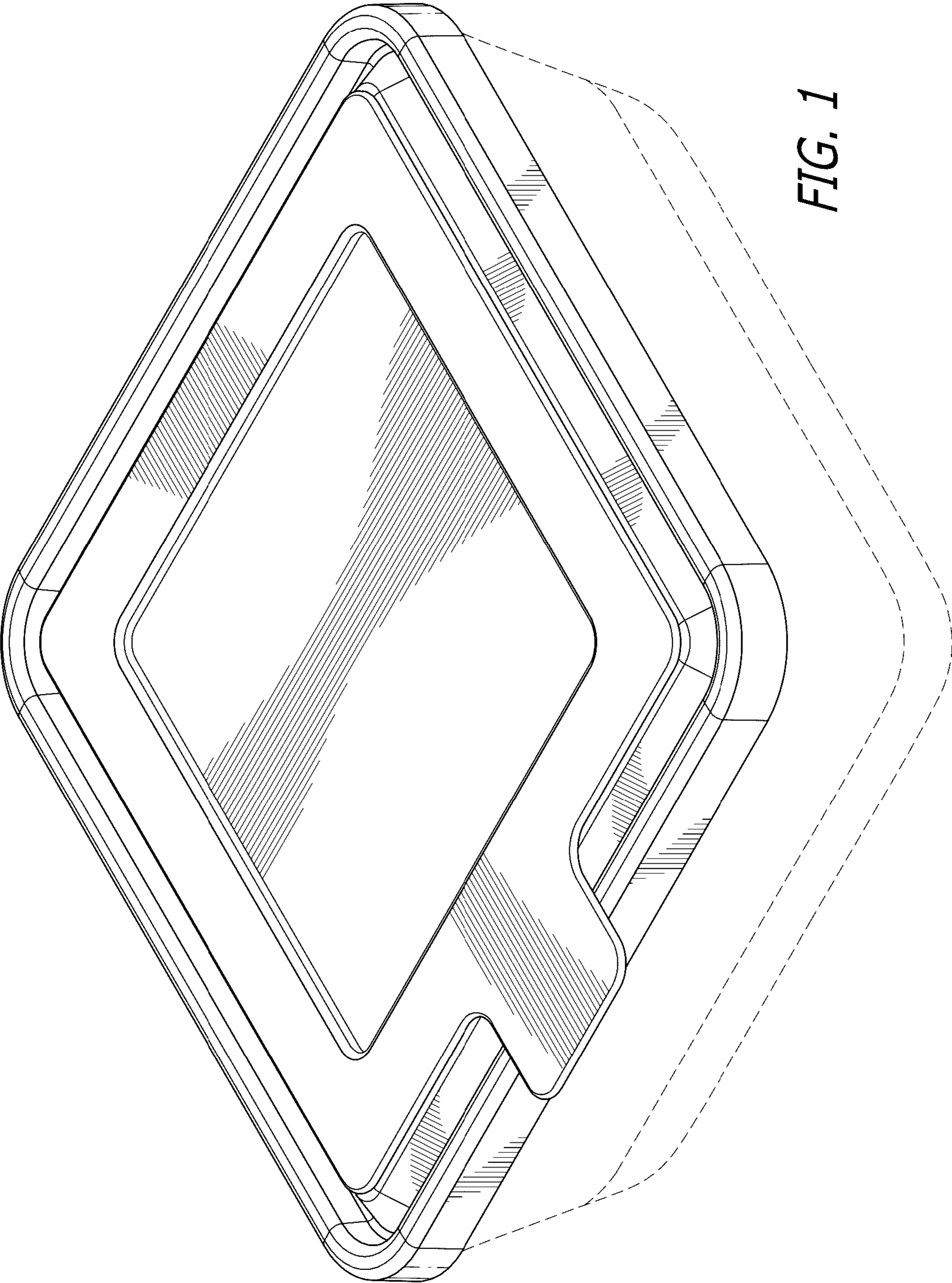


FIG. 1

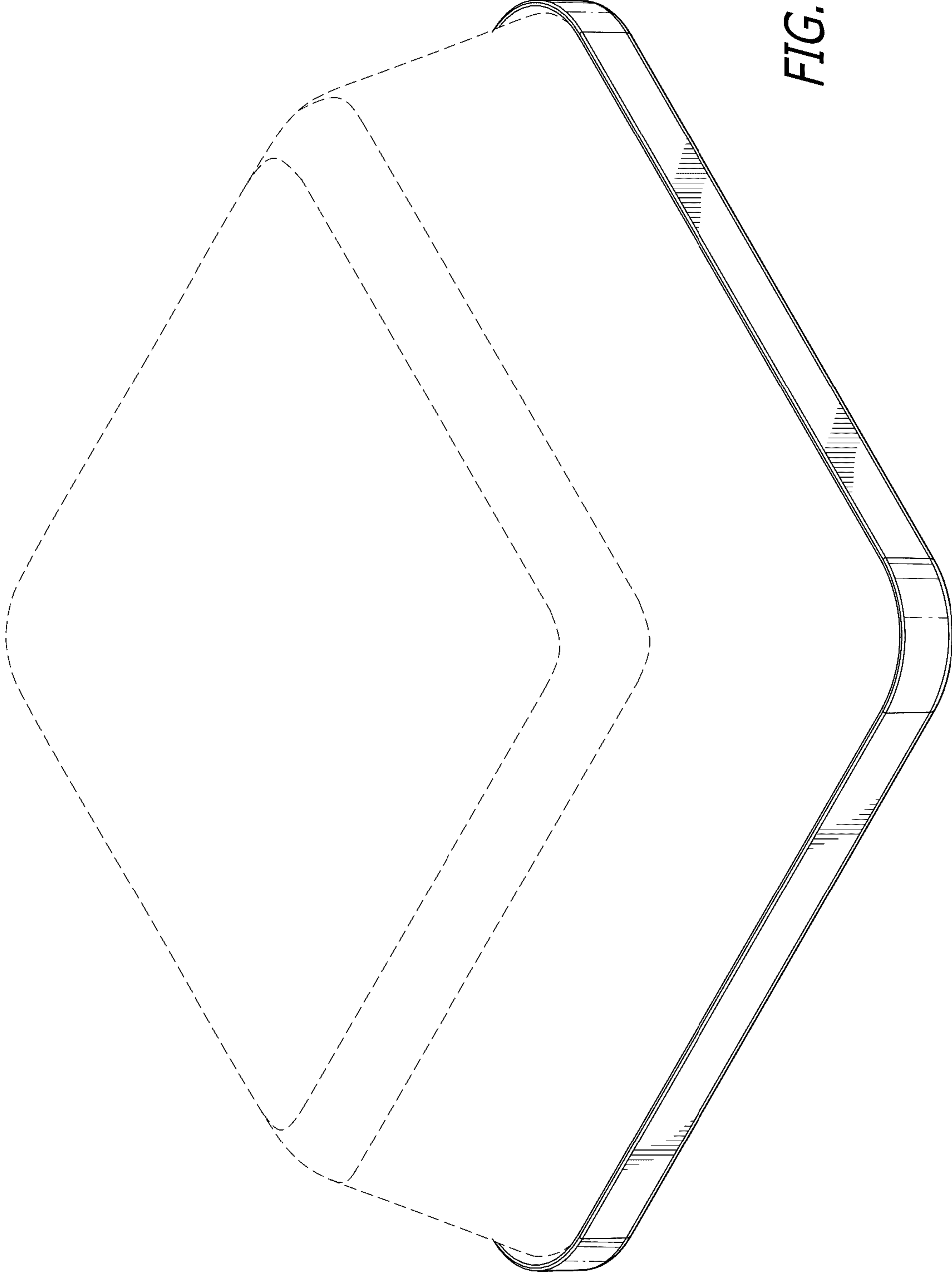
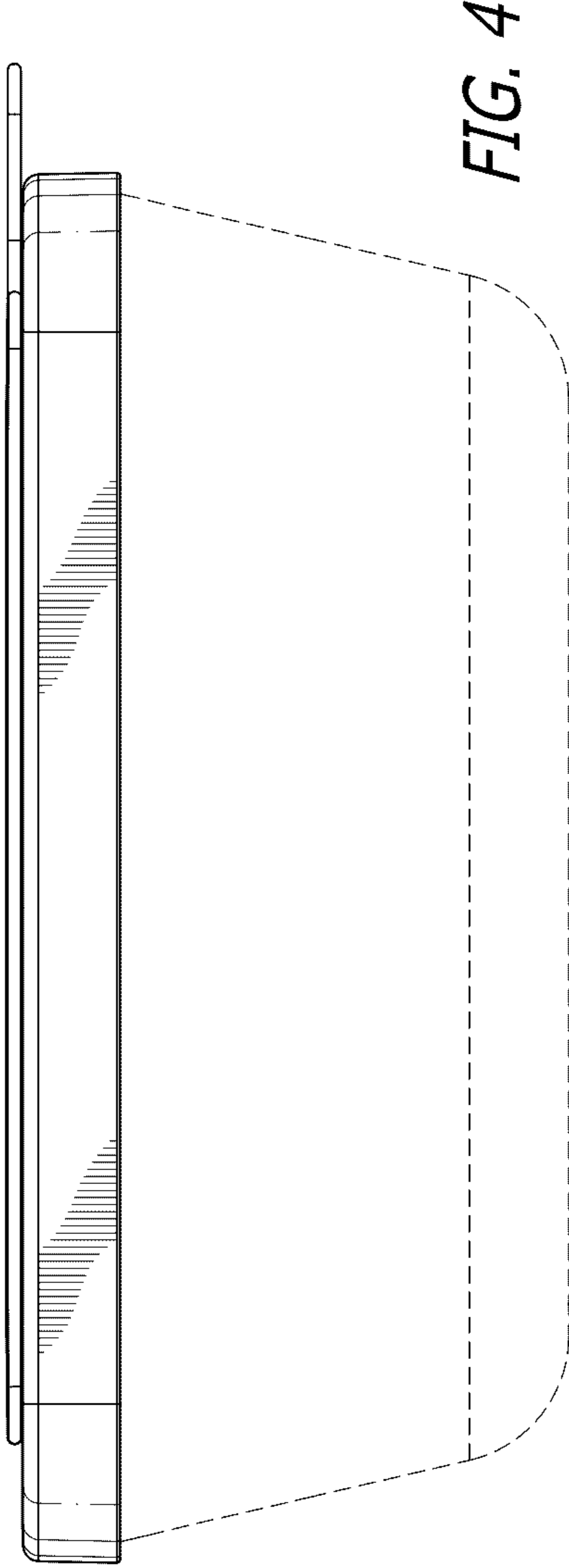
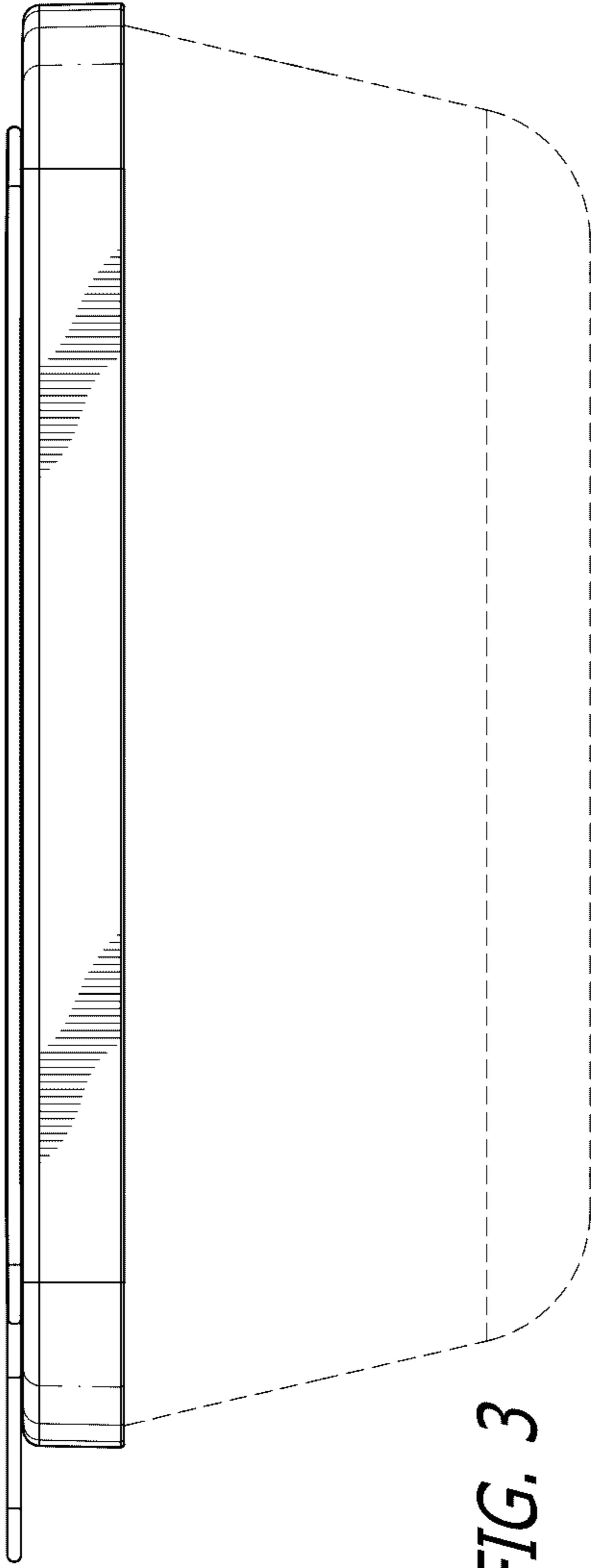


FIG. 2



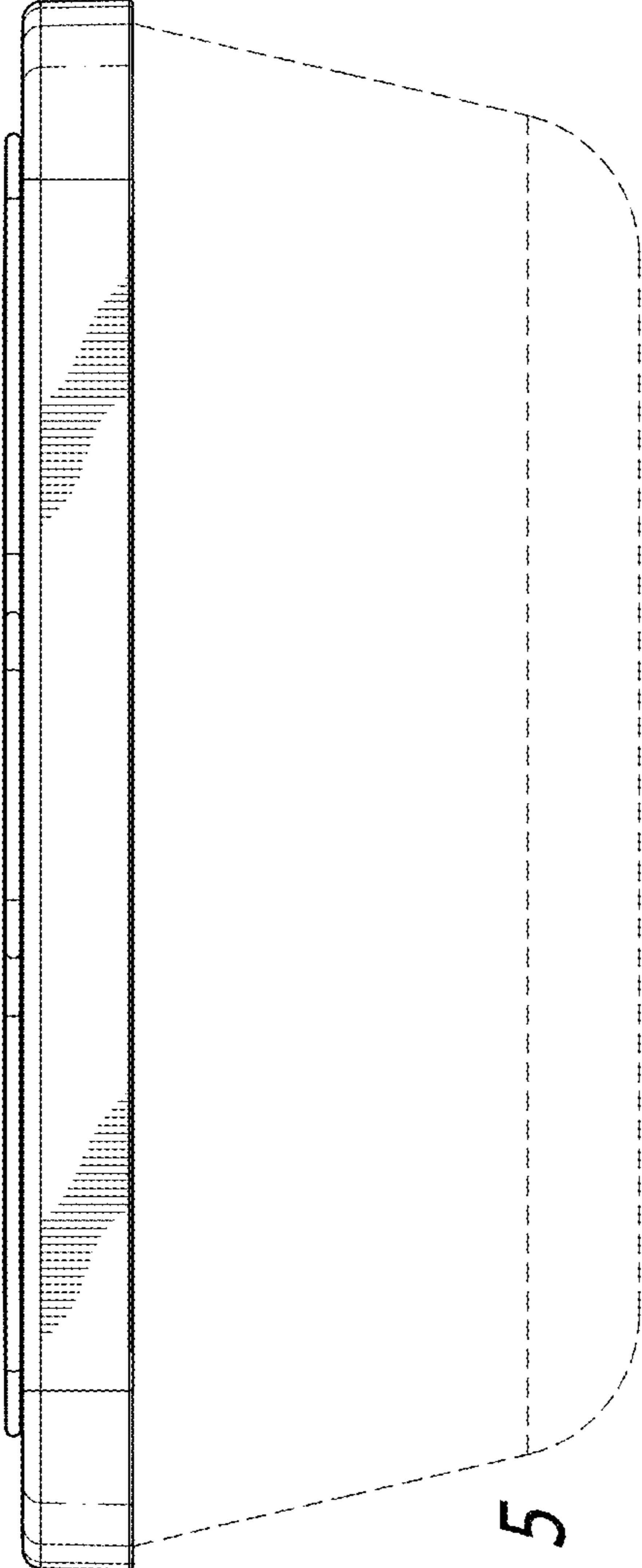


FIG. 5

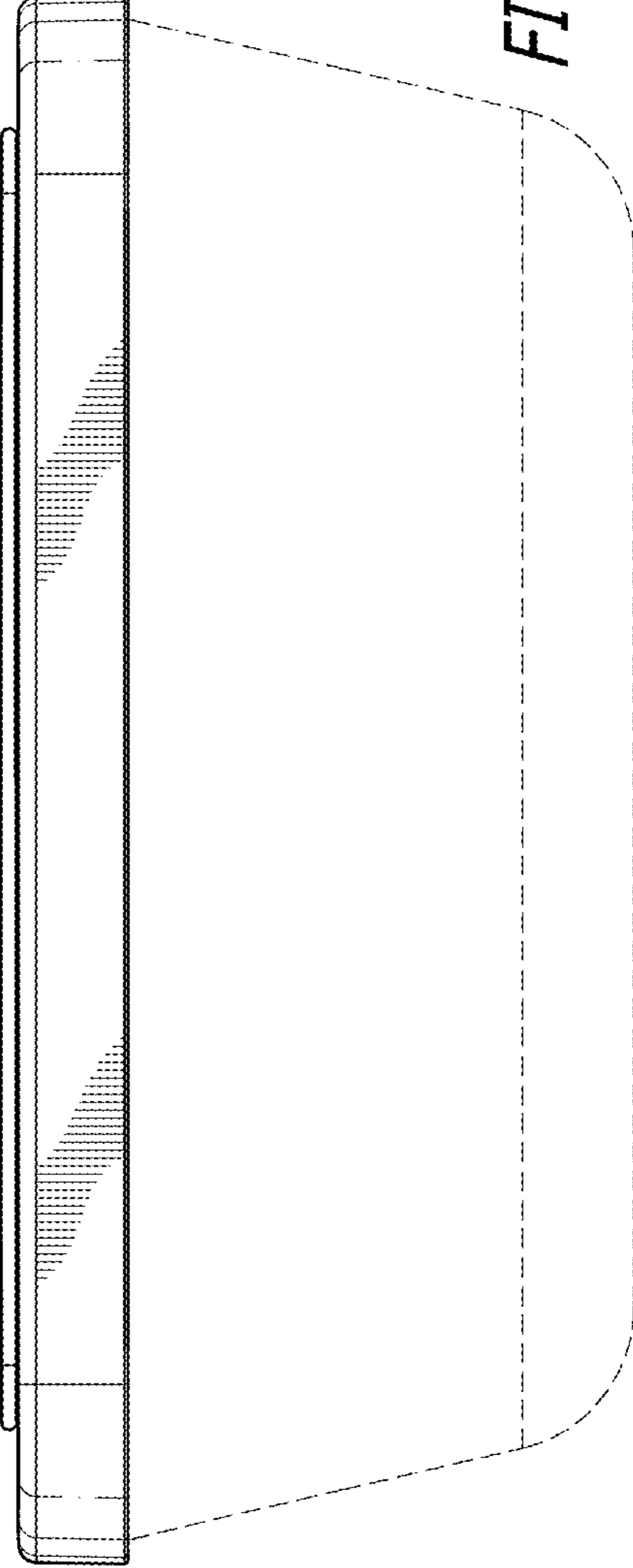


FIG. 6

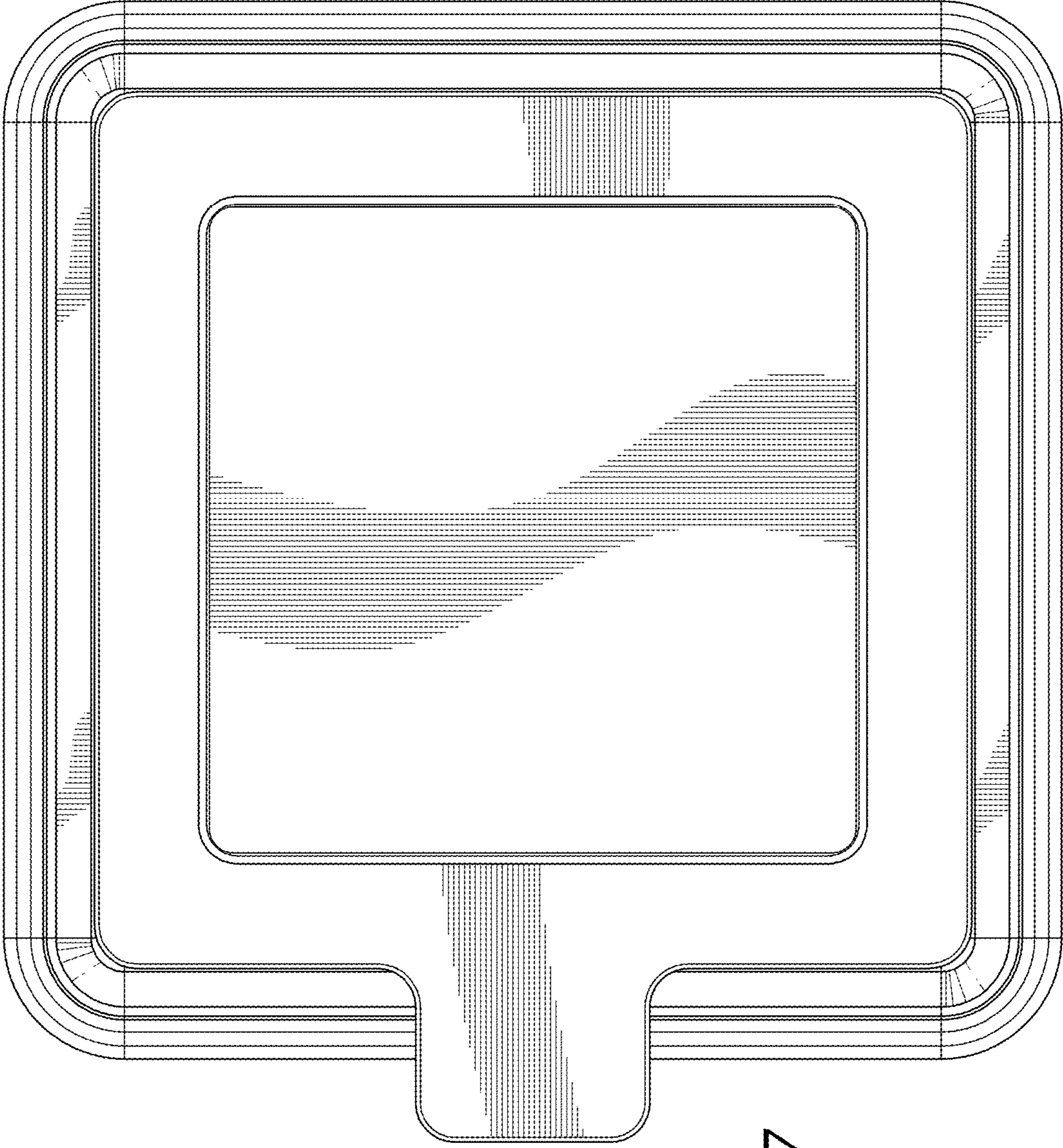


FIG. 7

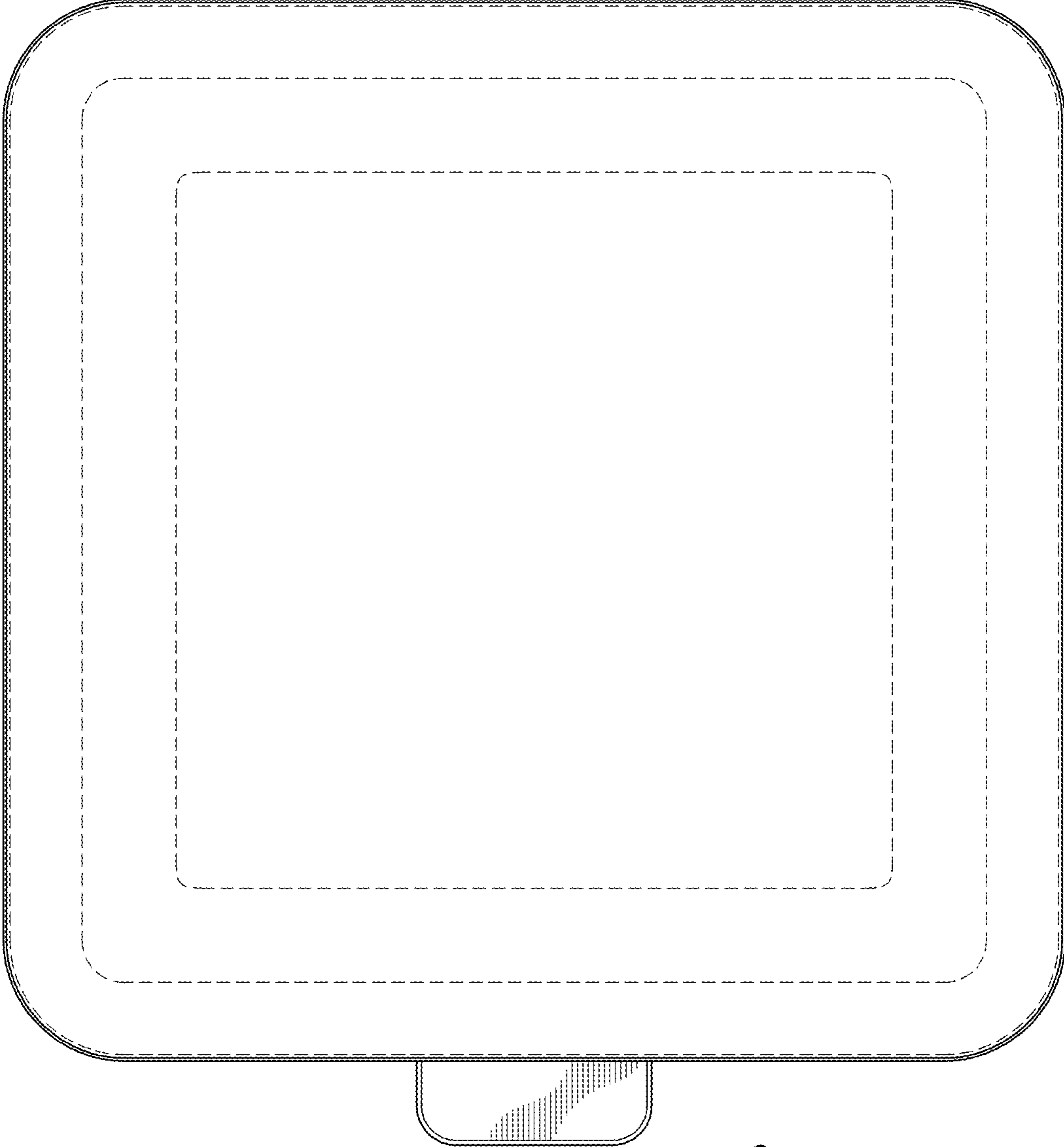


FIG. 8