



US00D771430S

(12) **United States Design Patent**
Yip et al.

(10) **Patent No.:** **US D771,430 S**

(45) **Date of Patent:** **** Nov. 15, 2016**

(54) **COOKING VESSEL**

(74) *Attorney, Agent, or Firm* — Christensen O'Connor Johnson Kindness PLLC

(71) Applicant: **Funtastic Limited**, Chadstone, Victoria (AU)

(57) **CLAIM**

The ornamental design for a cooking vessel, as shown and described.

(72) Inventors: **Man Piu Billy Yip**, Sheung Shui (HK); **Aaron Avila**, Palma de Mallorca (ES)

(73) Assignee: **Funtastic Limited**, Chadstone (AU)

DESCRIPTION

(**) Term: **15 Years**

FIG. 1 is an exploded front perspective view of the three items, identified as item 1, item 2, and item 3, that form the cooking vessel;

(21) Appl. No.: **29/528,768**

FIG. 2 is an exploded rear perspective view thereof;

(22) Filed: **Jun. 1, 2015**

FIG. 3 is a front perspective view thereof with the three items combined;

(30) **Foreign Application Priority Data**

FIG. 4 is a rear perspective view thereof with the three items combined;

Dec. 1, 2014 (AU) 201416238

FIG. 5 is a front view thereof with the three items combined;

(51) **LOC (10) Cl.** **07-02**

FIG. 6 is a top view thereof with the three items combined;

(52) **U.S. Cl.**

FIG. 7 is a cross-sectional view along line 7-7 of FIG. 6;

USPC **D7/354**

FIG. 8 is a cross-sectional view along line 8-8 of FIG. 6;

(58) **Field of Classification Search**

FIG. 9 is a front view of item 1;

USPC D3/270; D7/323, 354-361, 500, 503; D9/643; D10/40; D23/364; D24/216; D26/47

FIG. 10 is a rear view of item 1;

CPC .. A01K 41/02; A01K 41/023; A01K 41/026;

FIG. 11 is a top view of item 1;

A01K 41/06; A21B 5/02; A21B 5/026;

FIG. 12 is a bottom view of item 1;

A21B 5/04; A23B 5/00; A23B 5/005; A23B

FIG. 13 is a left side view of item 1;

5/0052; A47J 27/00; A47J 27/004; A47J

FIG. 14 is a right side view of item 1;

29/00; A47J 29/02; A47J 29/04; A47J 29/06;

FIG. 15 is a front view of item 2;

A47J 36/025; A47J 36/06; A47J 36/12;

FIG. 16 is a rear view of item 2;

B65D 7/04; B65D 11/02

FIG. 17 is a top view of item 2;

See application file for complete search history.

FIG. 18 is a bottom view of item 2;

FIG. 19 is a left side view of item 2;

(56) **References Cited**

U.S. PATENT DOCUMENTS

225,785 A * 3/1880 Beattie B65D 7/04
119/348

FIG. 20 is a right side view of item 2;

D276,705 S * 12/1984 Oliveri D10/40

FIG. 21 is a front view of item 3;

(Continued)

FIG. 22 is a rear view of item 3;

FIG. 23 is a top view of item 3;

FIG. 24 is a bottom view of item 3;

FIG. 25 is a left side view of item 3; and,

FIG. 26 is a right side view of item 3.

The broken lines in the various figures form no portion of the claimed design.

Primary Examiner — Ricky Pham

1 Claim, 17 Drawing Sheets



(56)

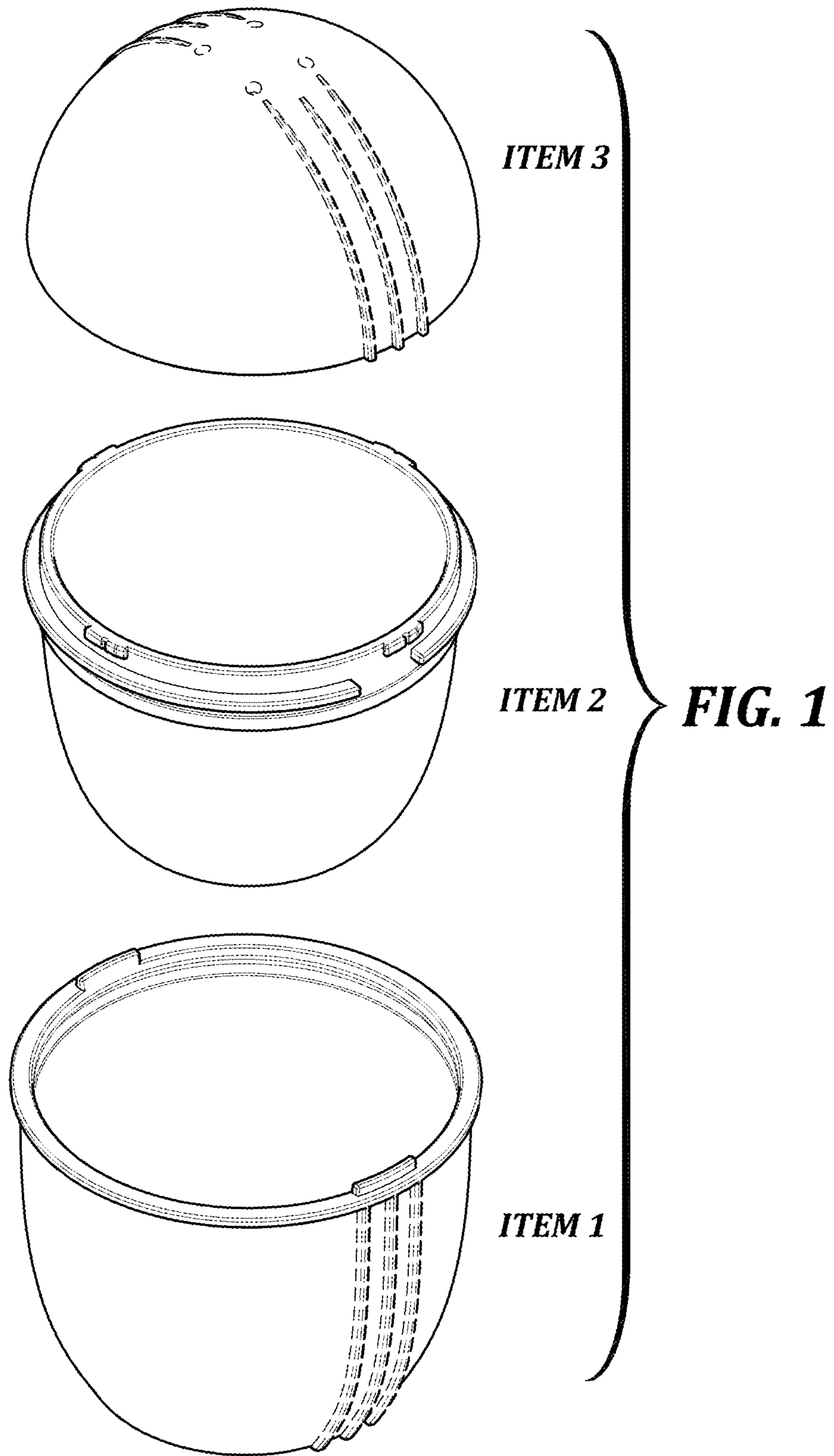
References Cited

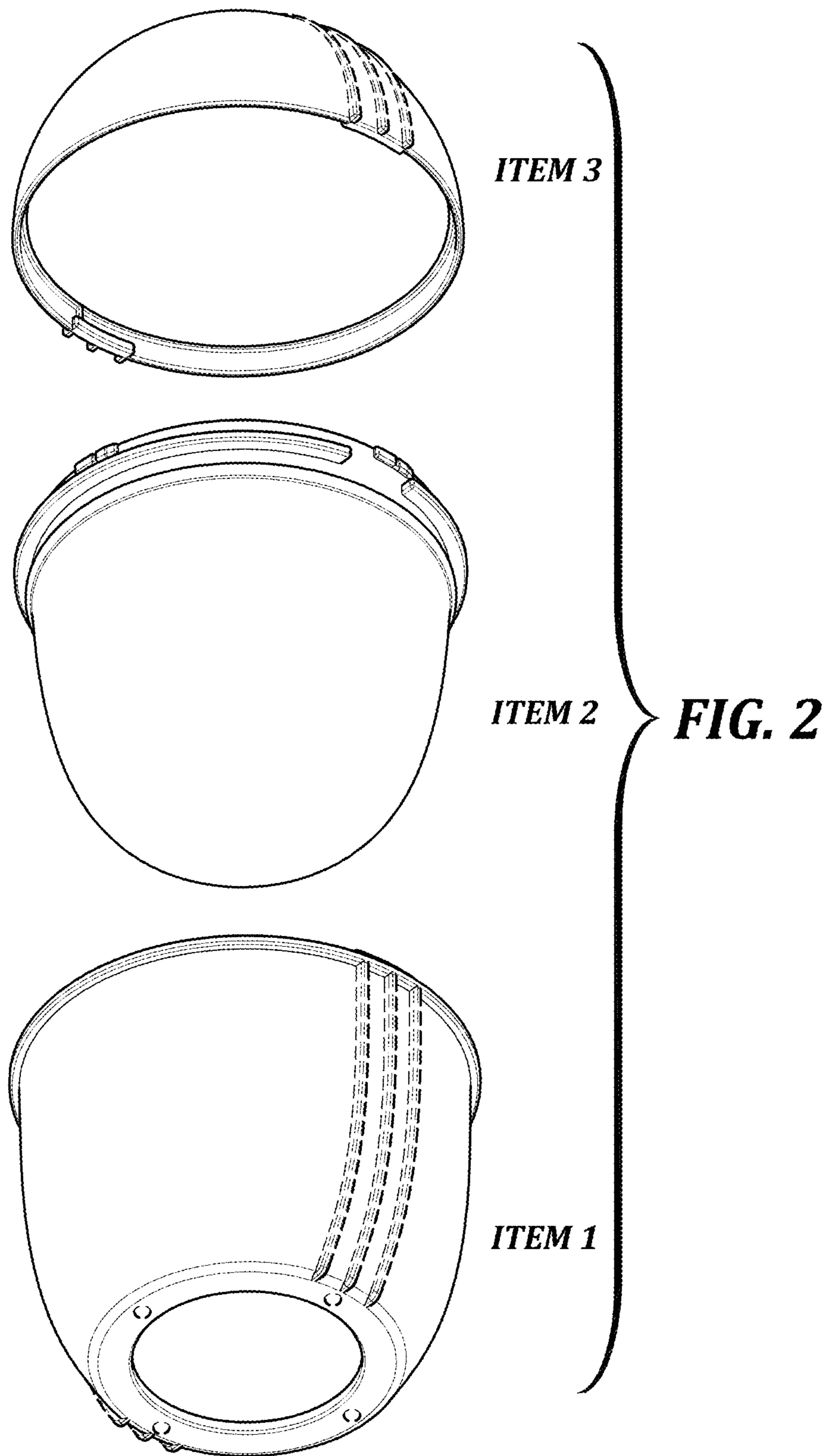
U.S. PATENT DOCUMENTS

D434,978 S * 12/2000 Thill D3/270
D441,596 S * 5/2001 Fernandez D7/354
D460,168 S * 7/2002 Chen D23/364
D615,807 S * 5/2010 Creel D7/354
D652,162 S * 1/2012 Wu D26/47

D654,759 S * 2/2012 Browning D7/354
D660,451 S * 5/2012 Matsuura D24/216
D712,192 S * 9/2014 Prueksapornpong D7/354
D737,136 S * 8/2015 Lam D9/643
D747,621 S * 1/2016 Amerson D7/354
2007/0108092 A1 * 5/2007 Minuto B65D 11/02
206/581

* cited by examiner





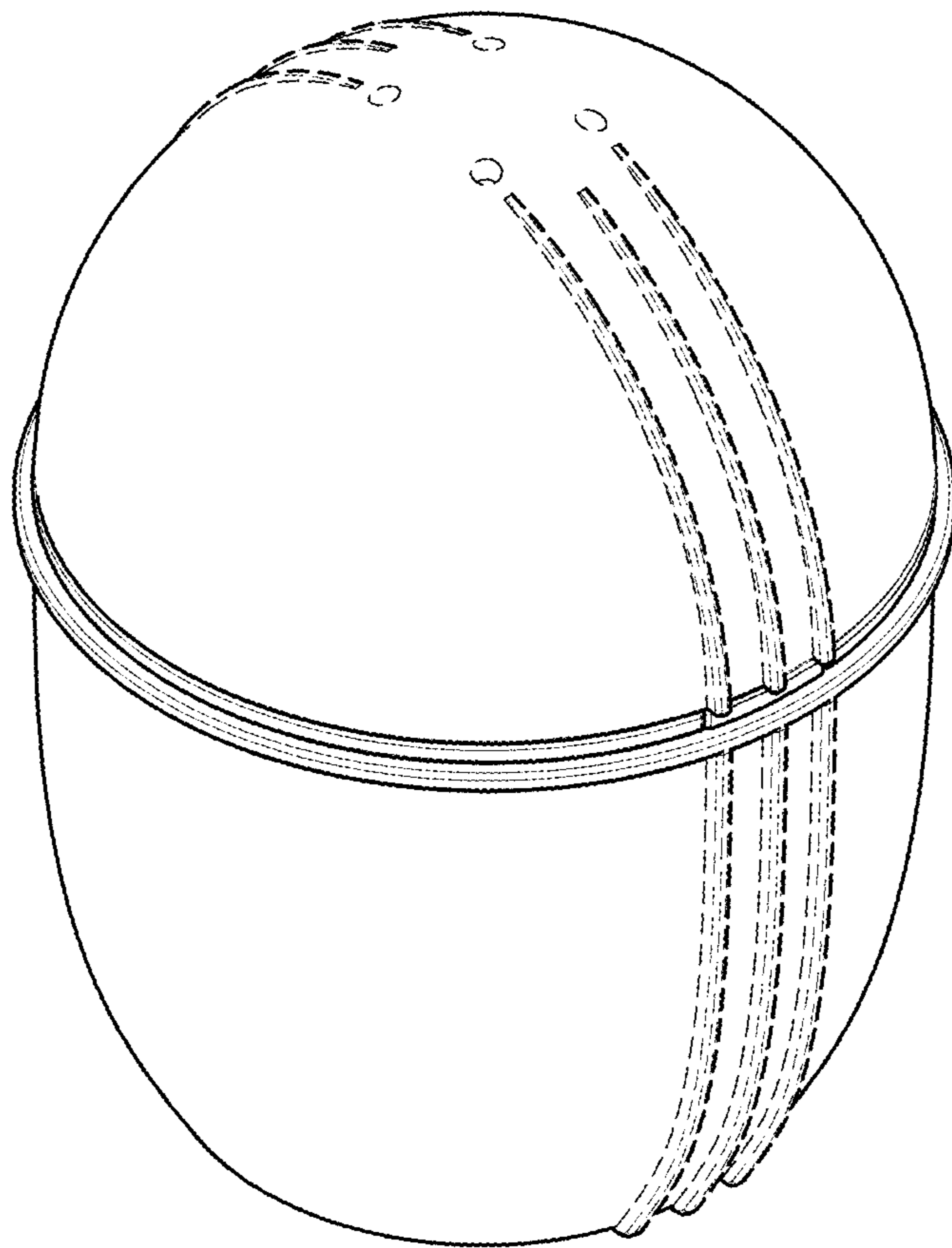


FIG. 3

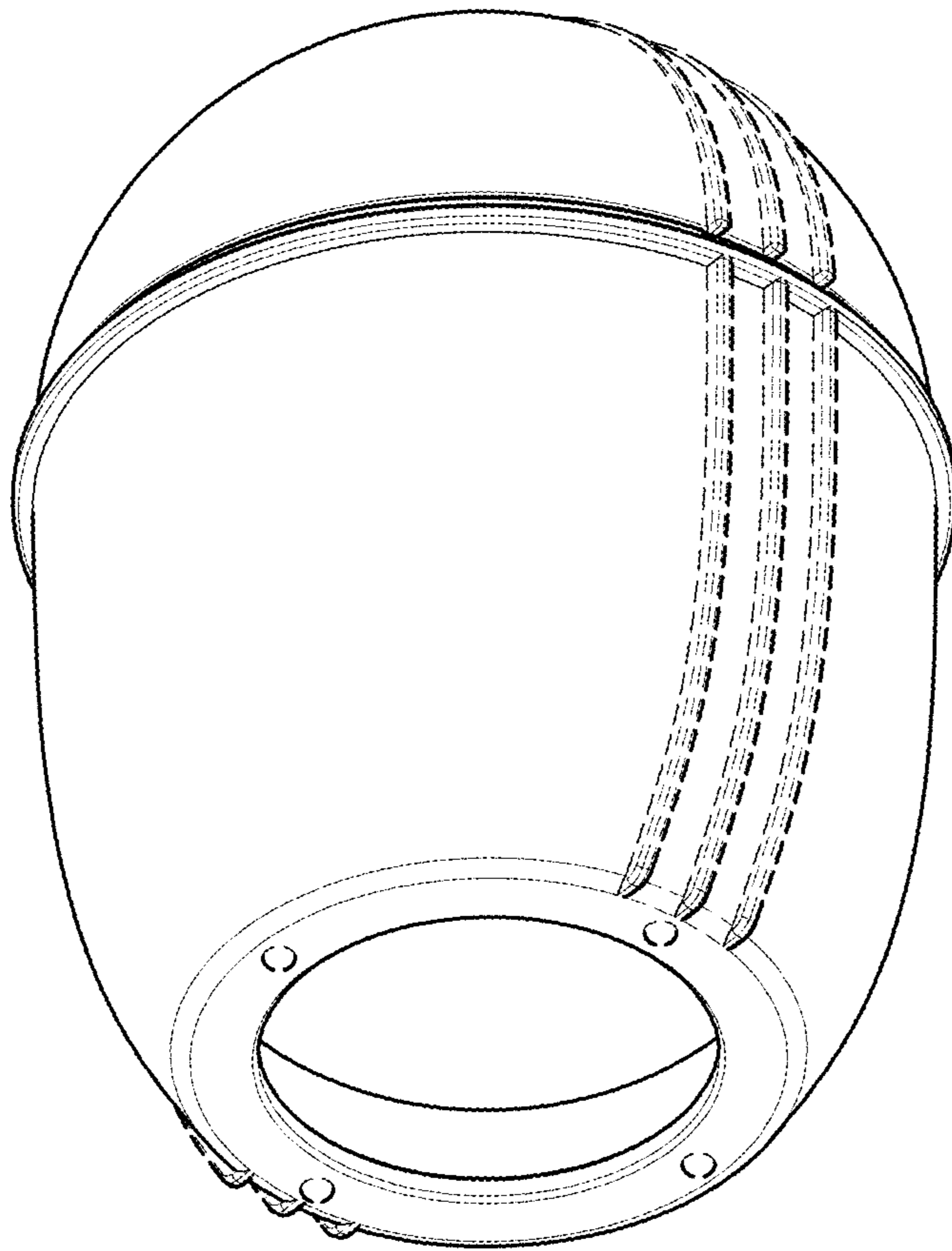


FIG. 4

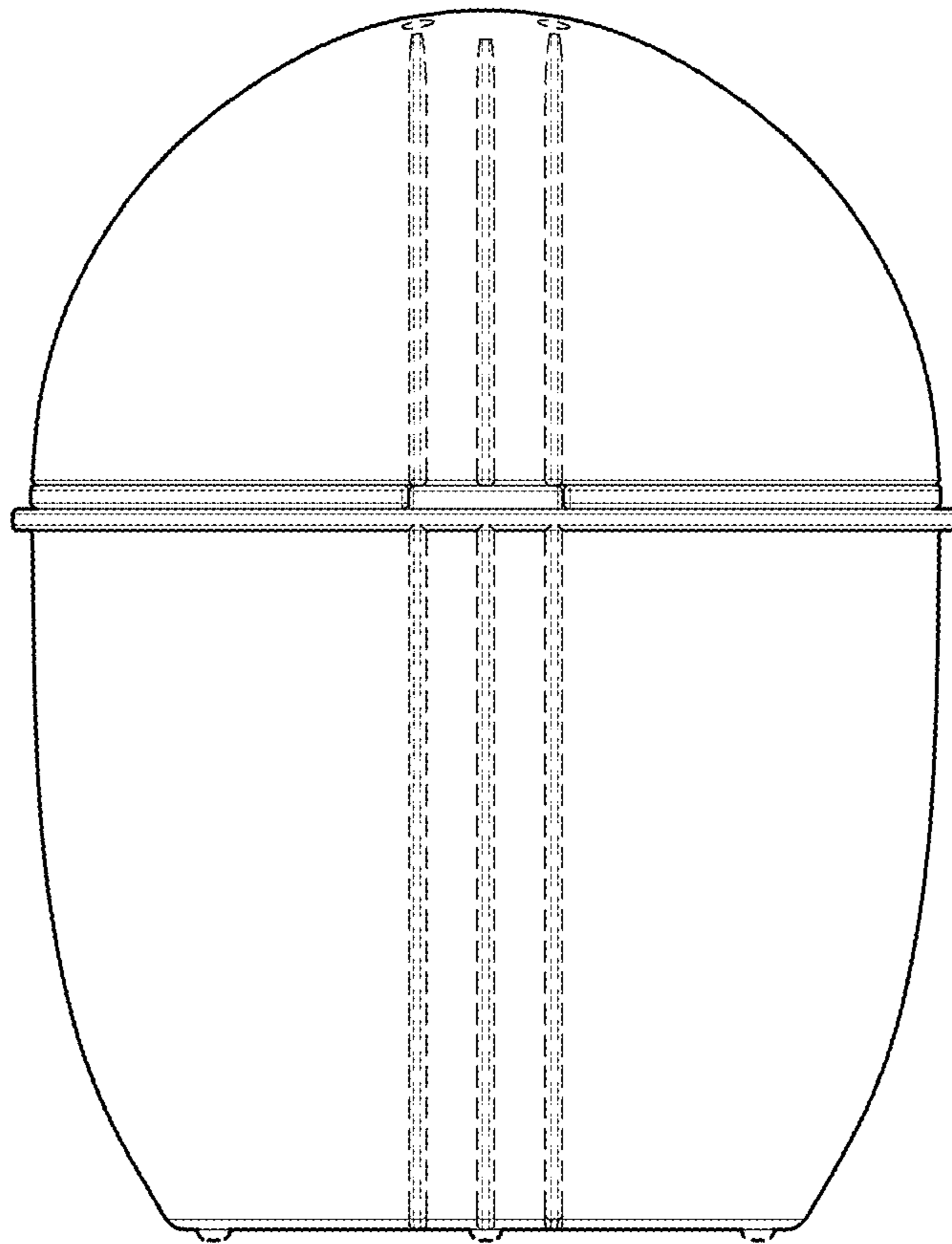


FIG. 5

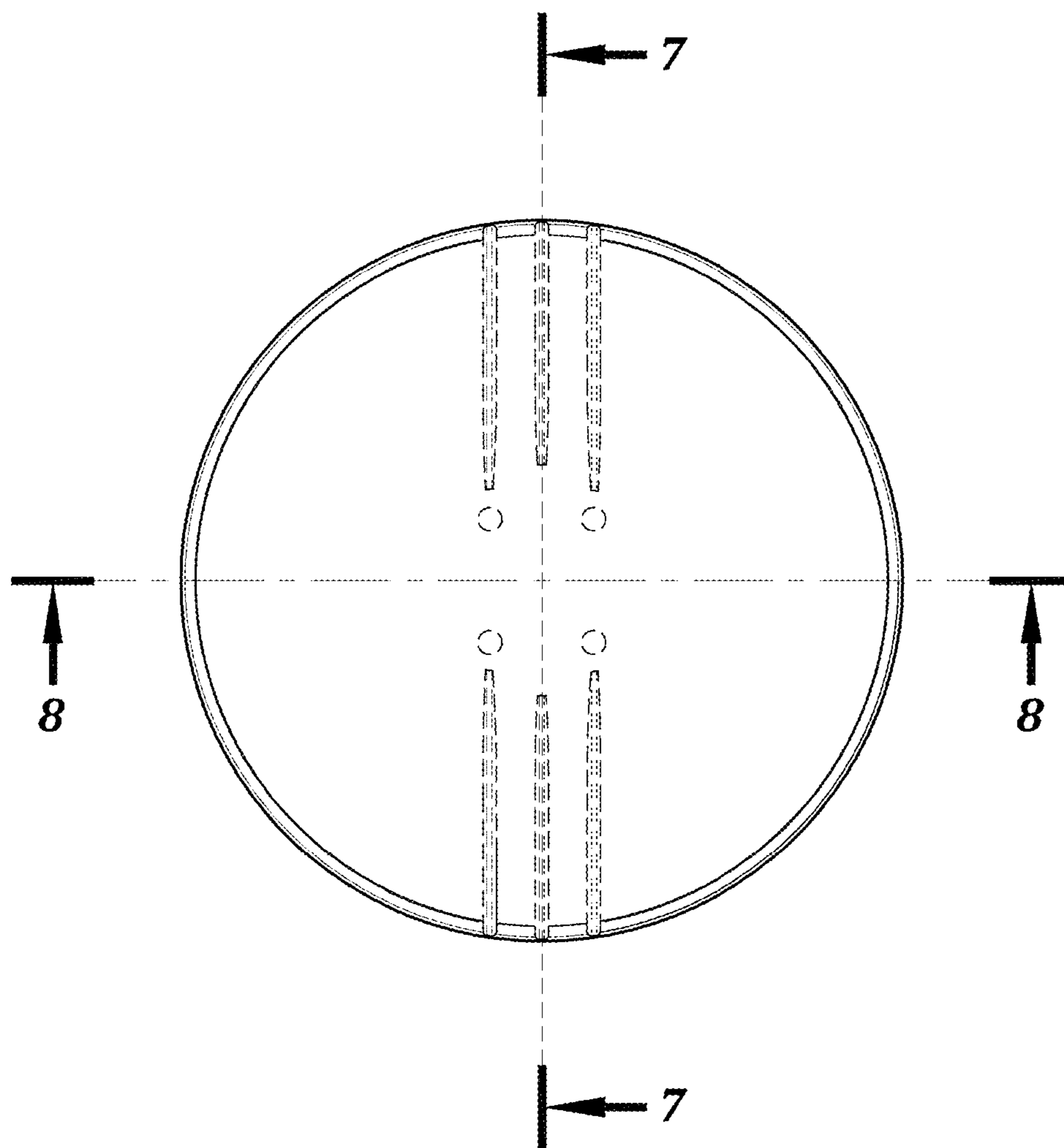


FIG. 6

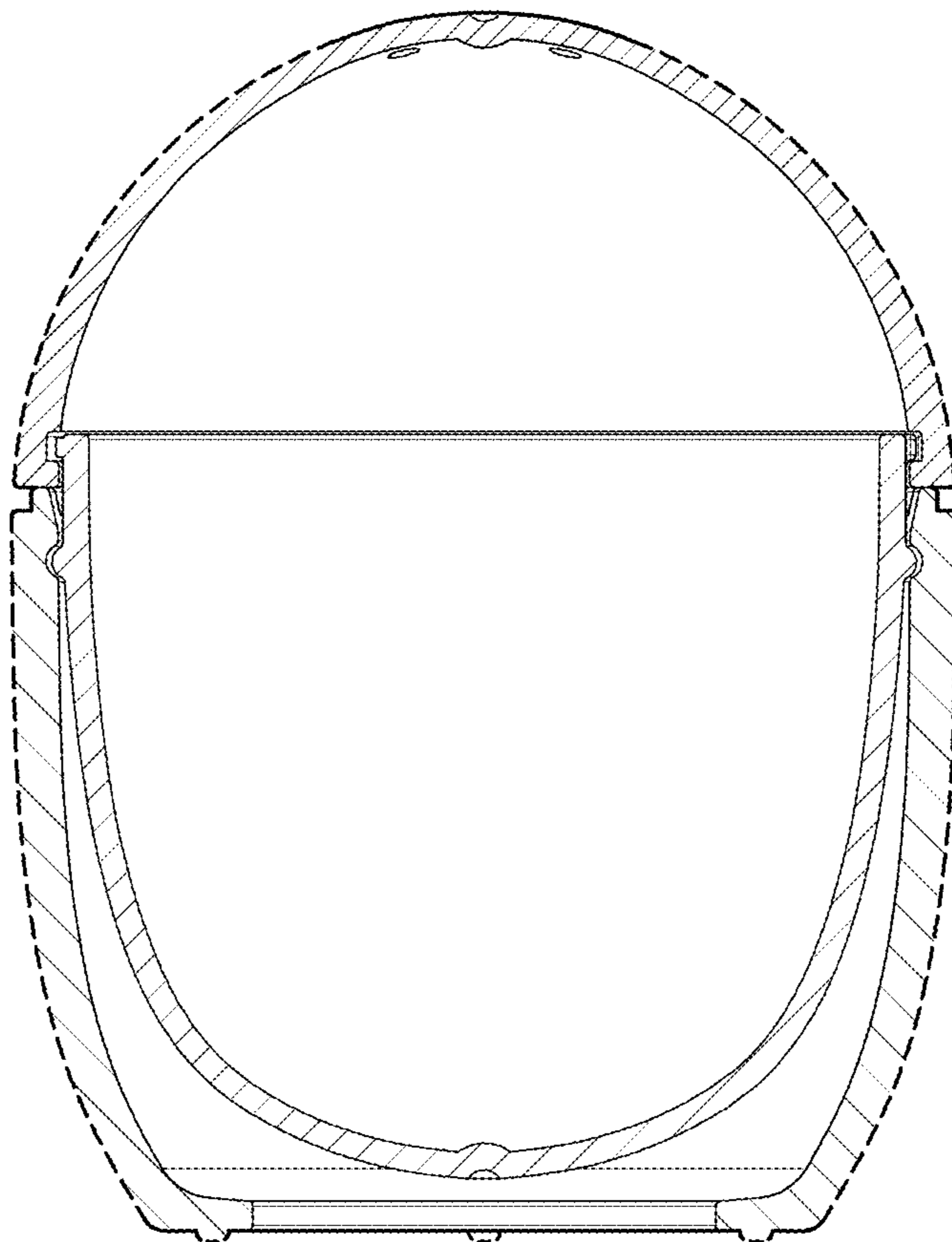


FIG. 7

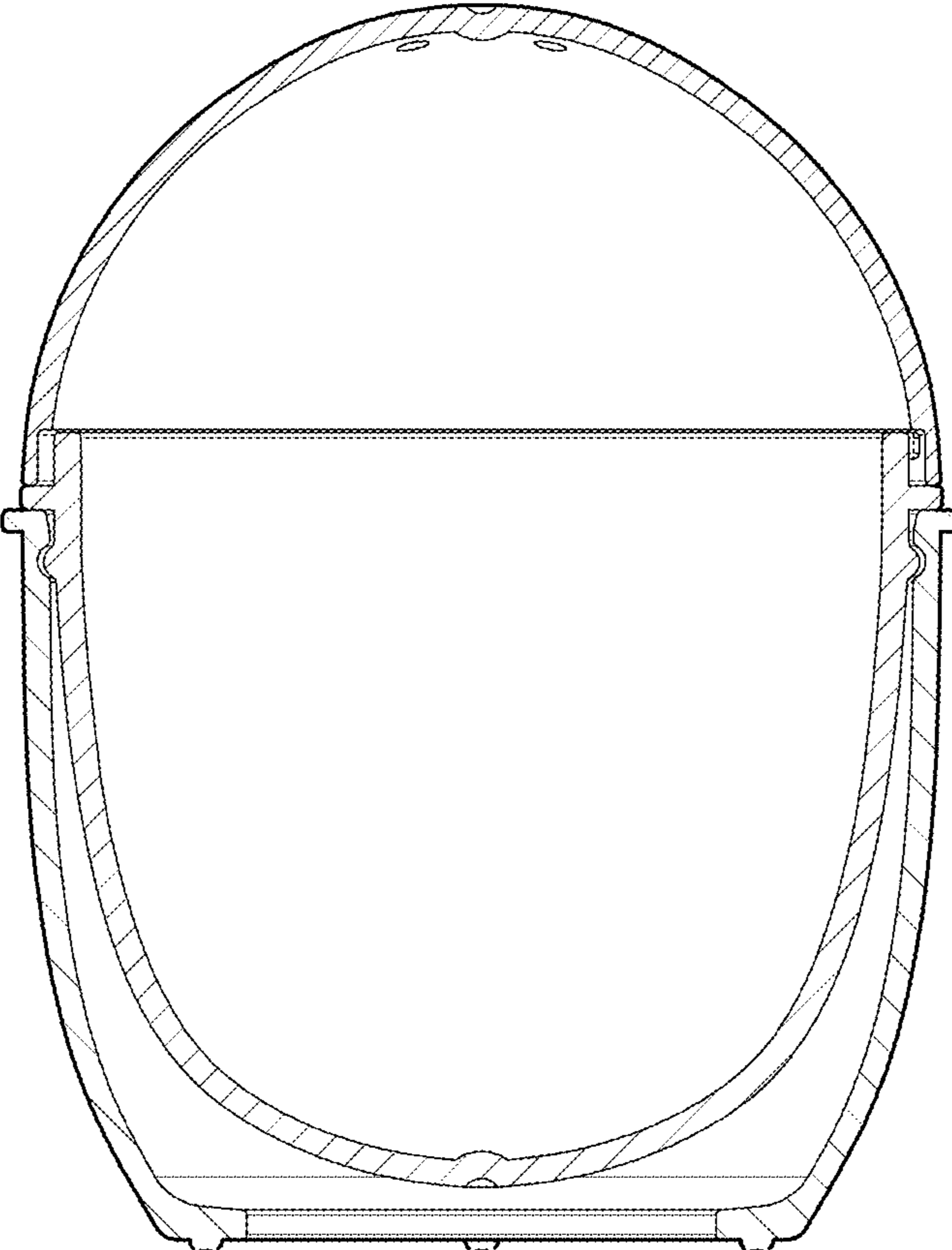


FIG. 8

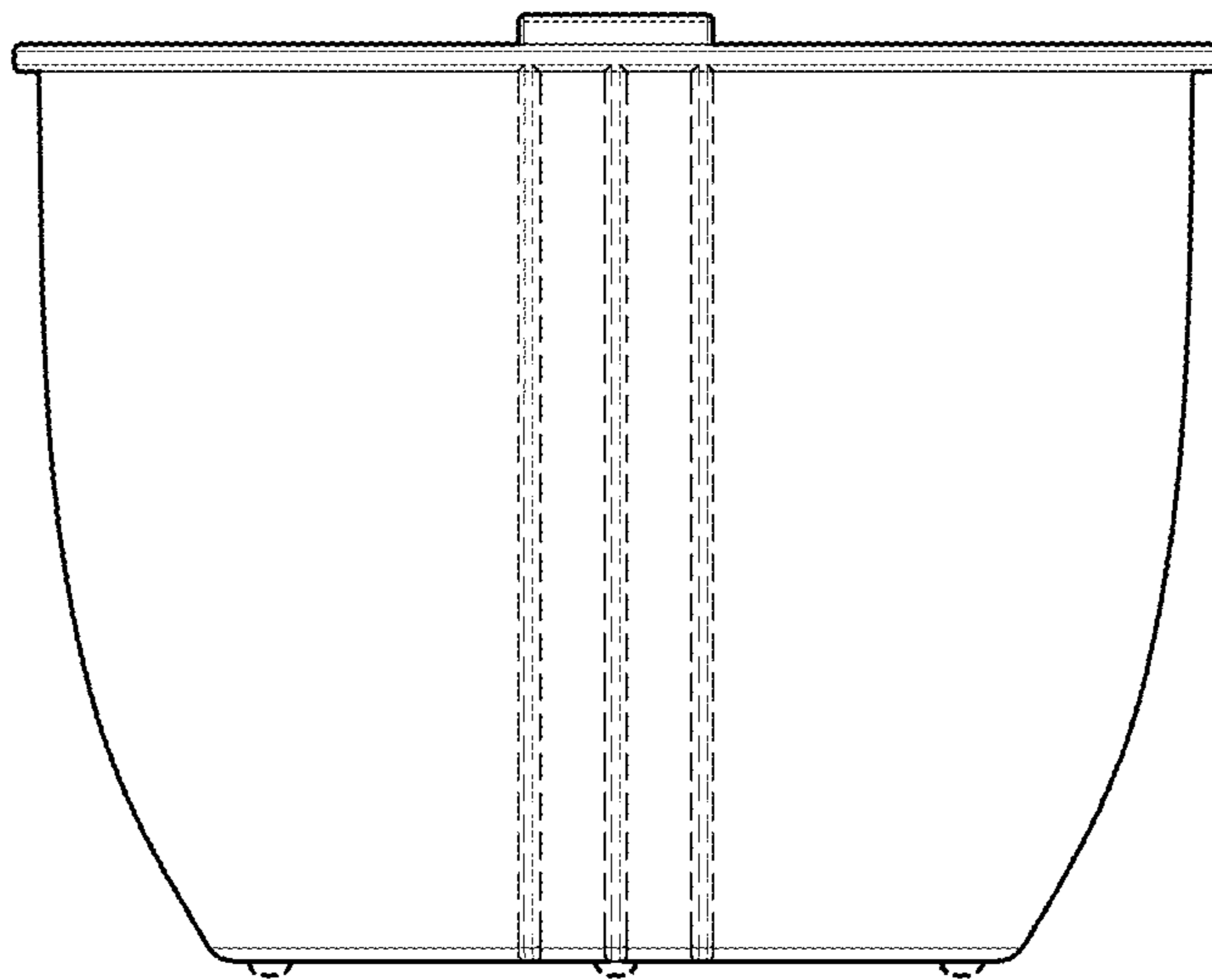


FIG. 9

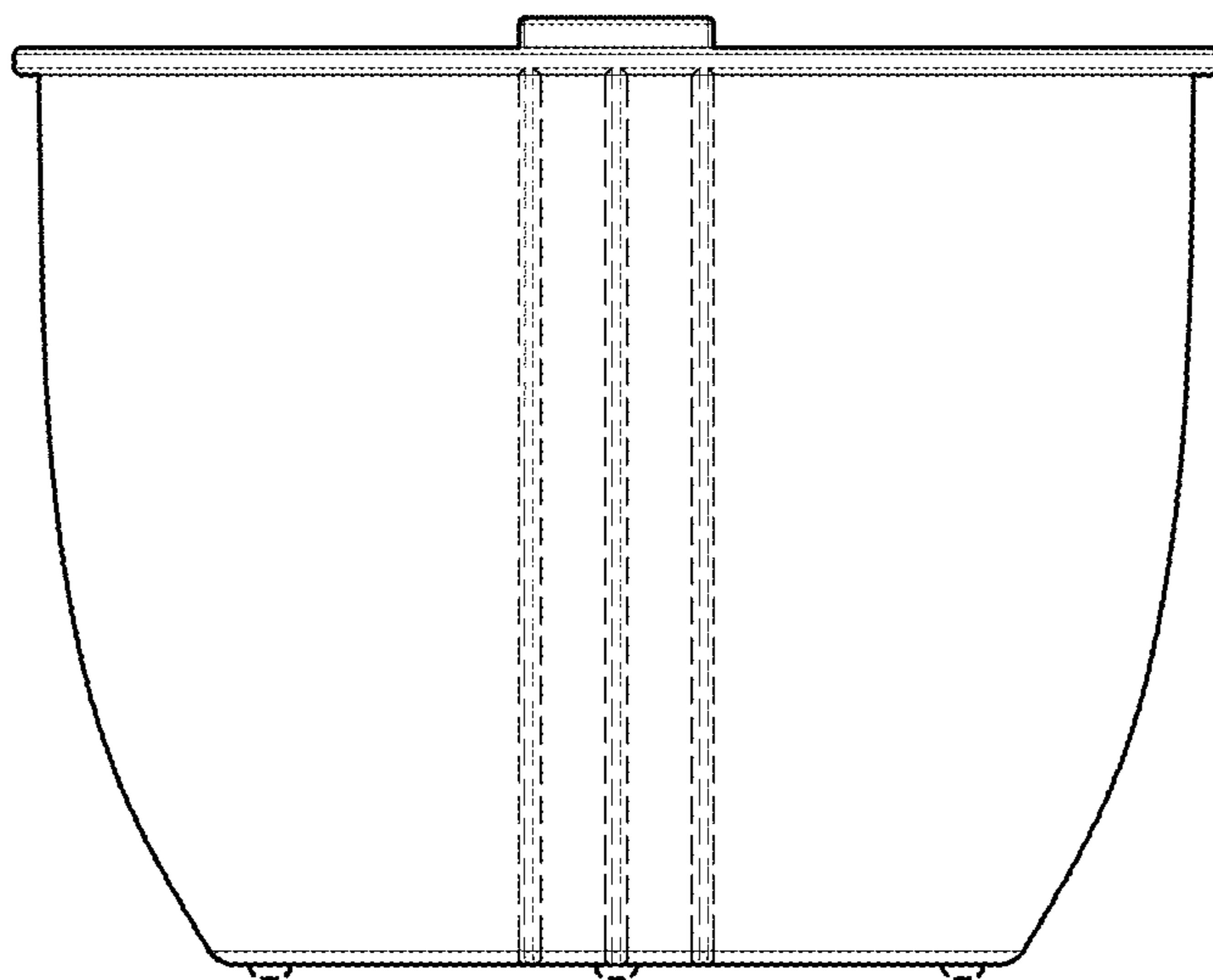


FIG. 10

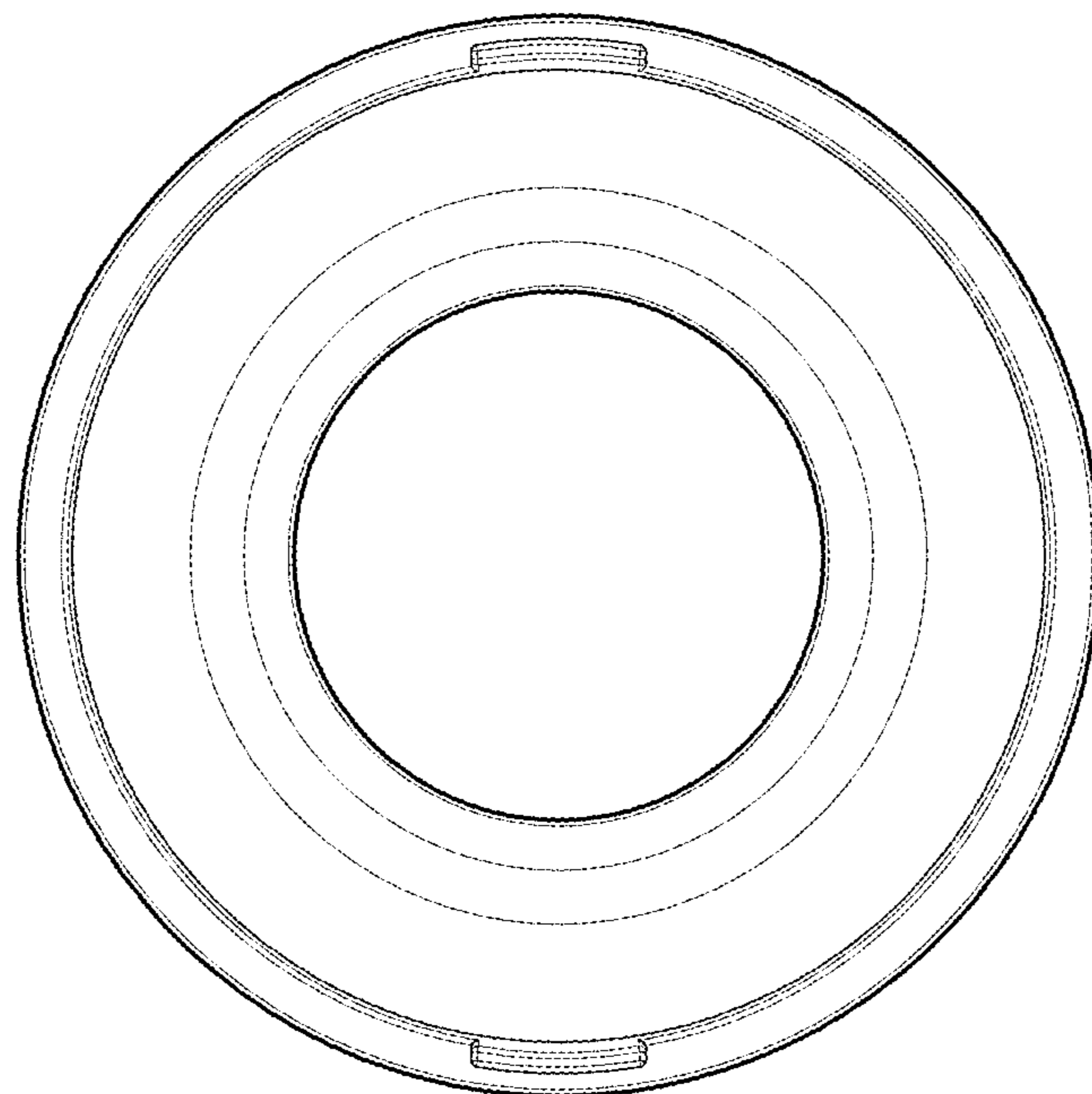


FIG. 11

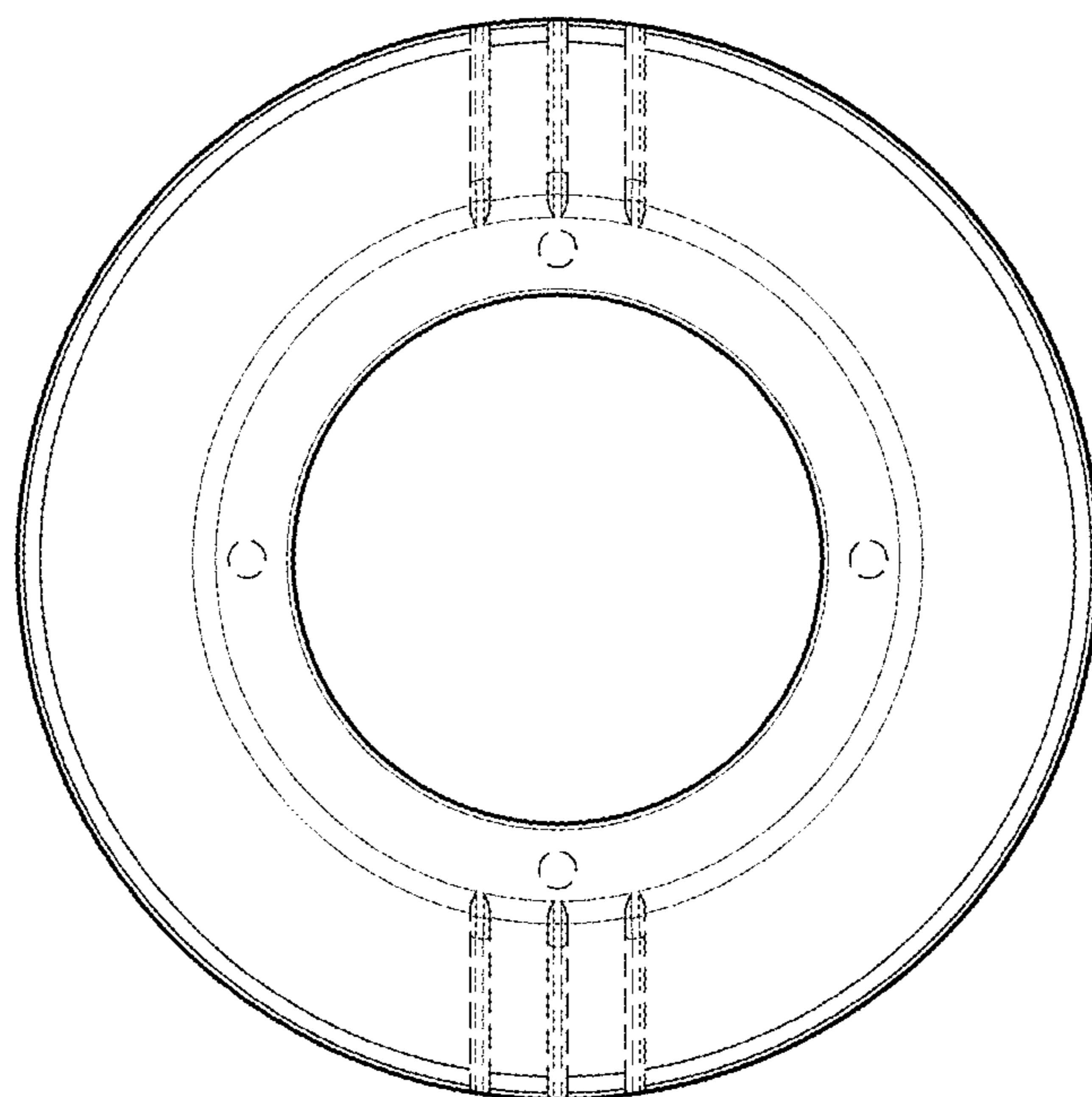


FIG. 12

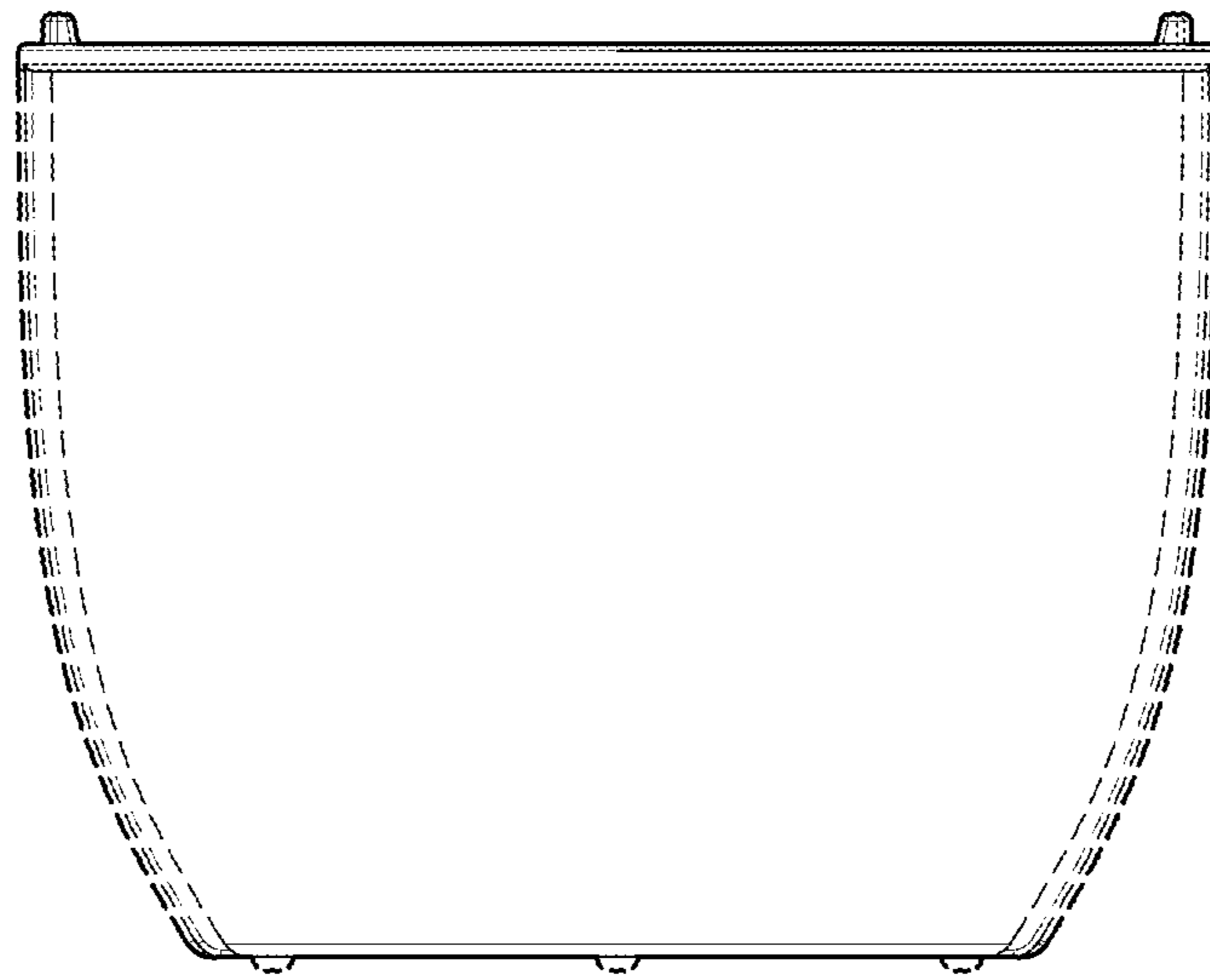


FIG. 13

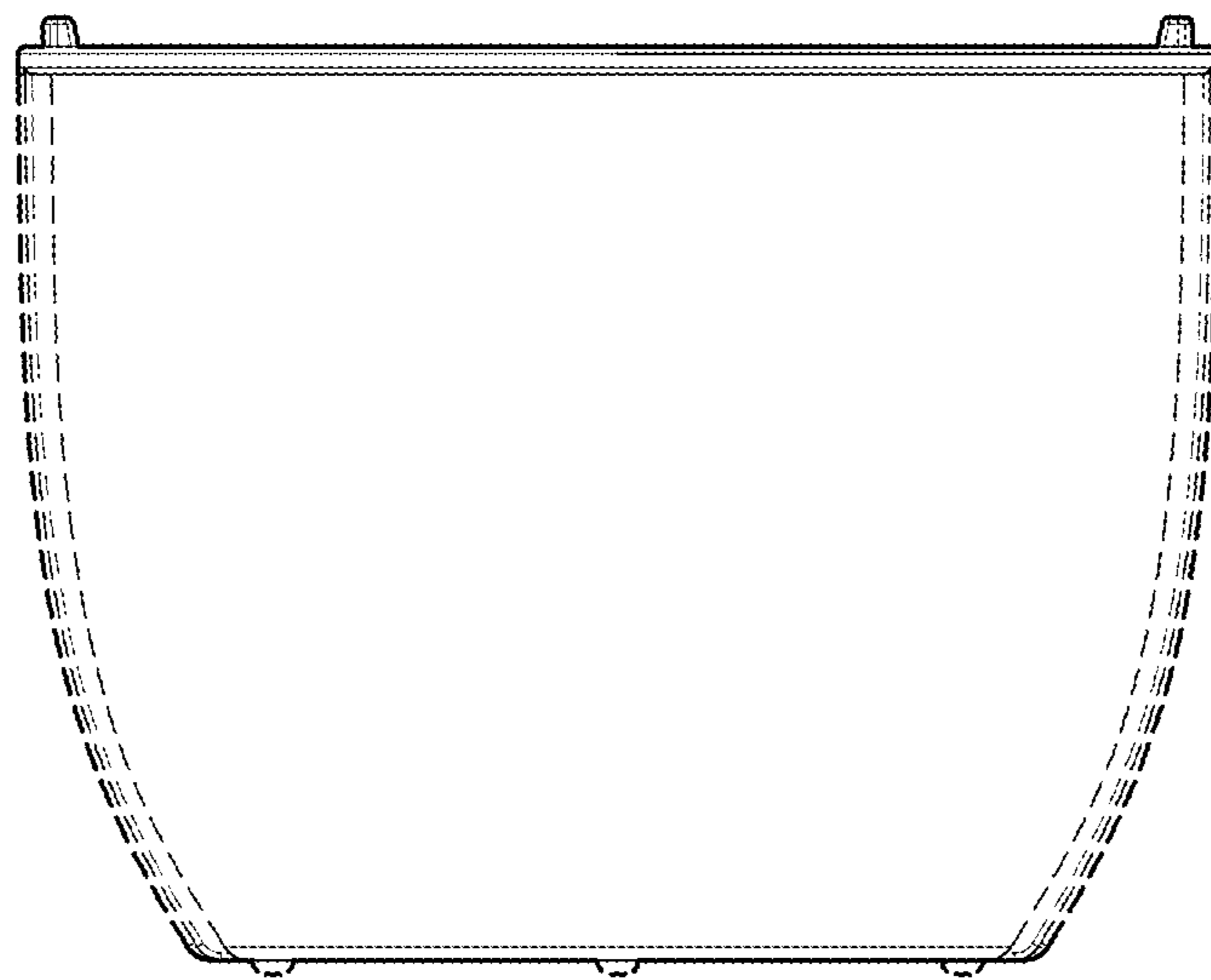


FIG. 14

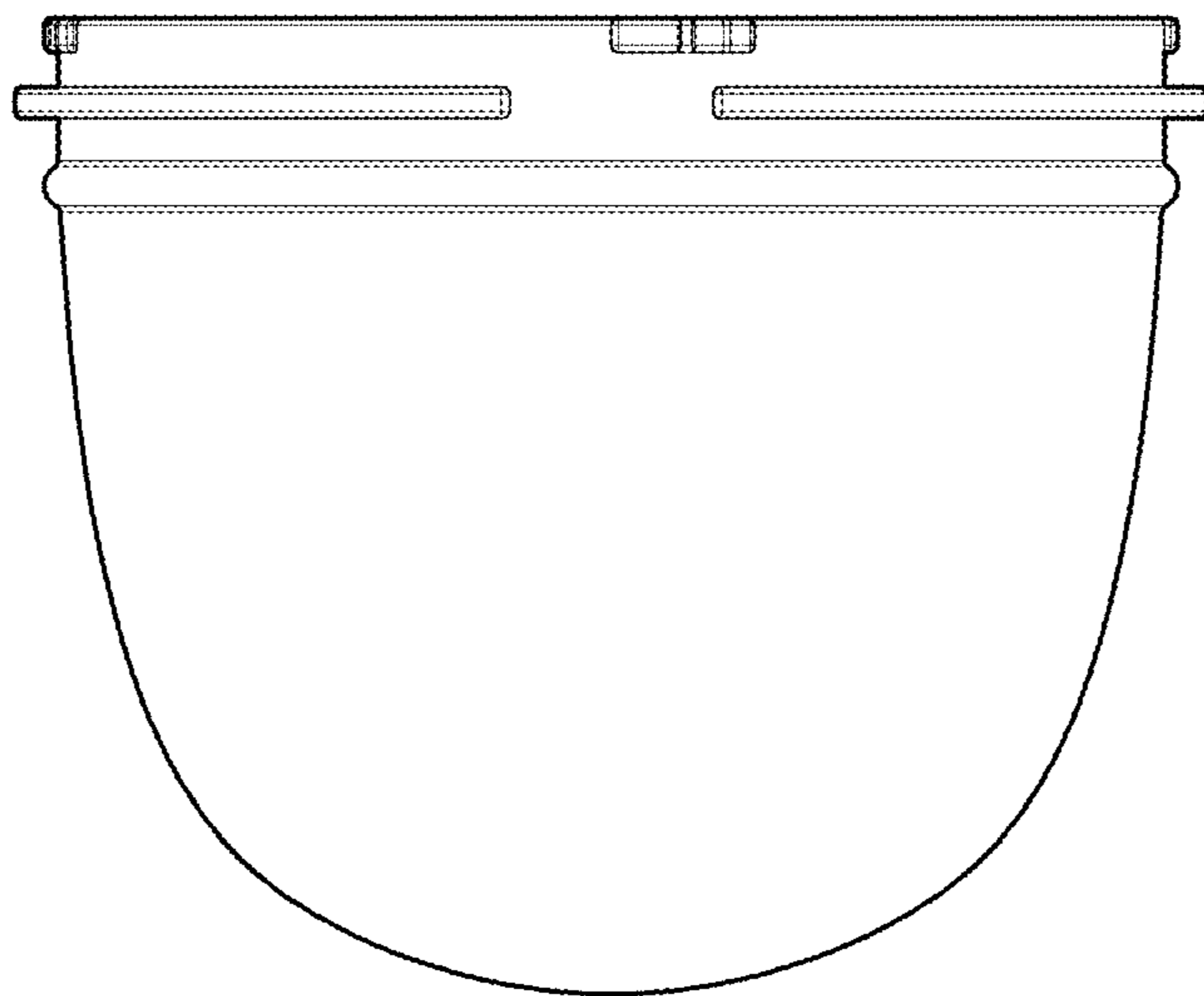


FIG. 15

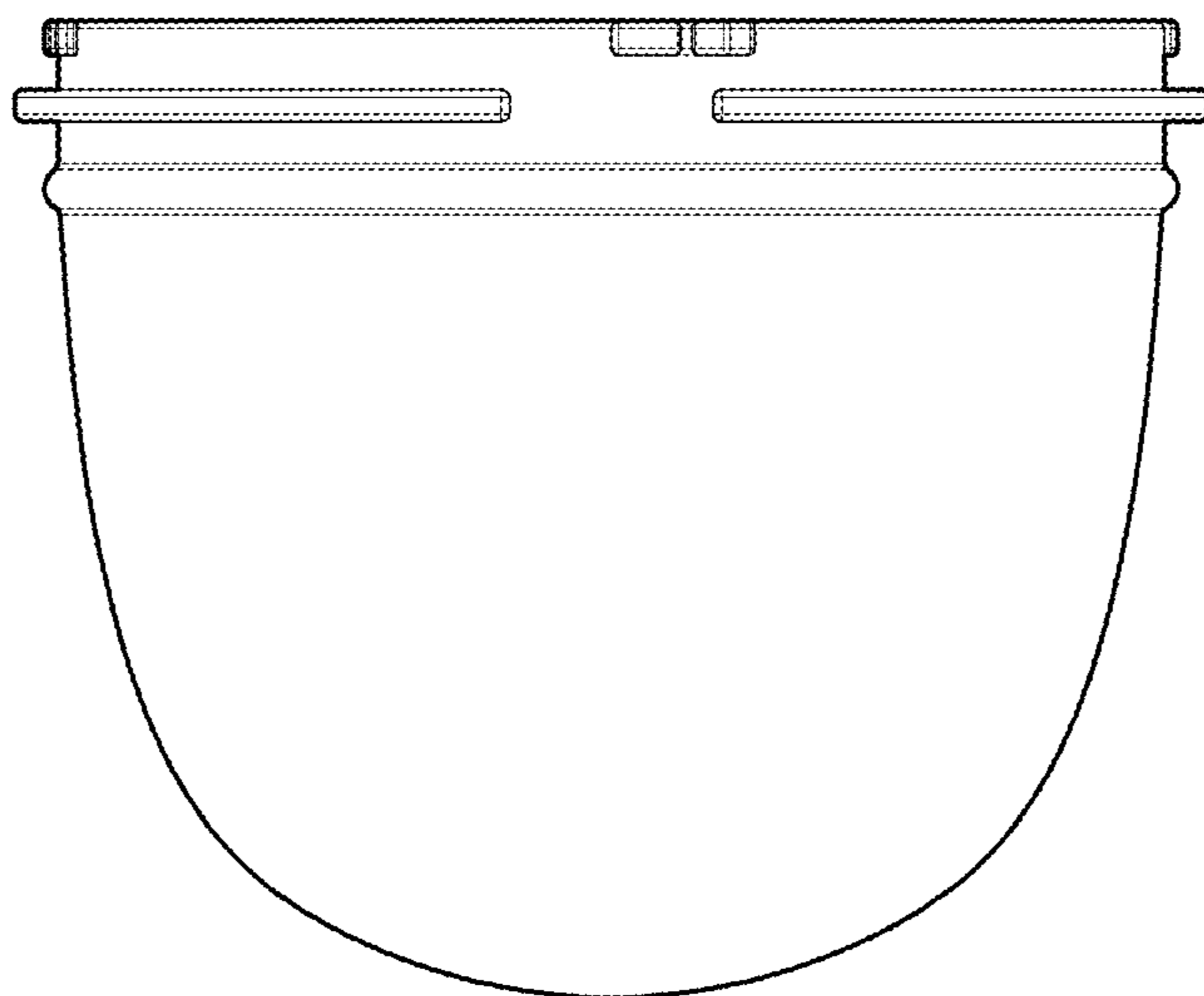


FIG. 16

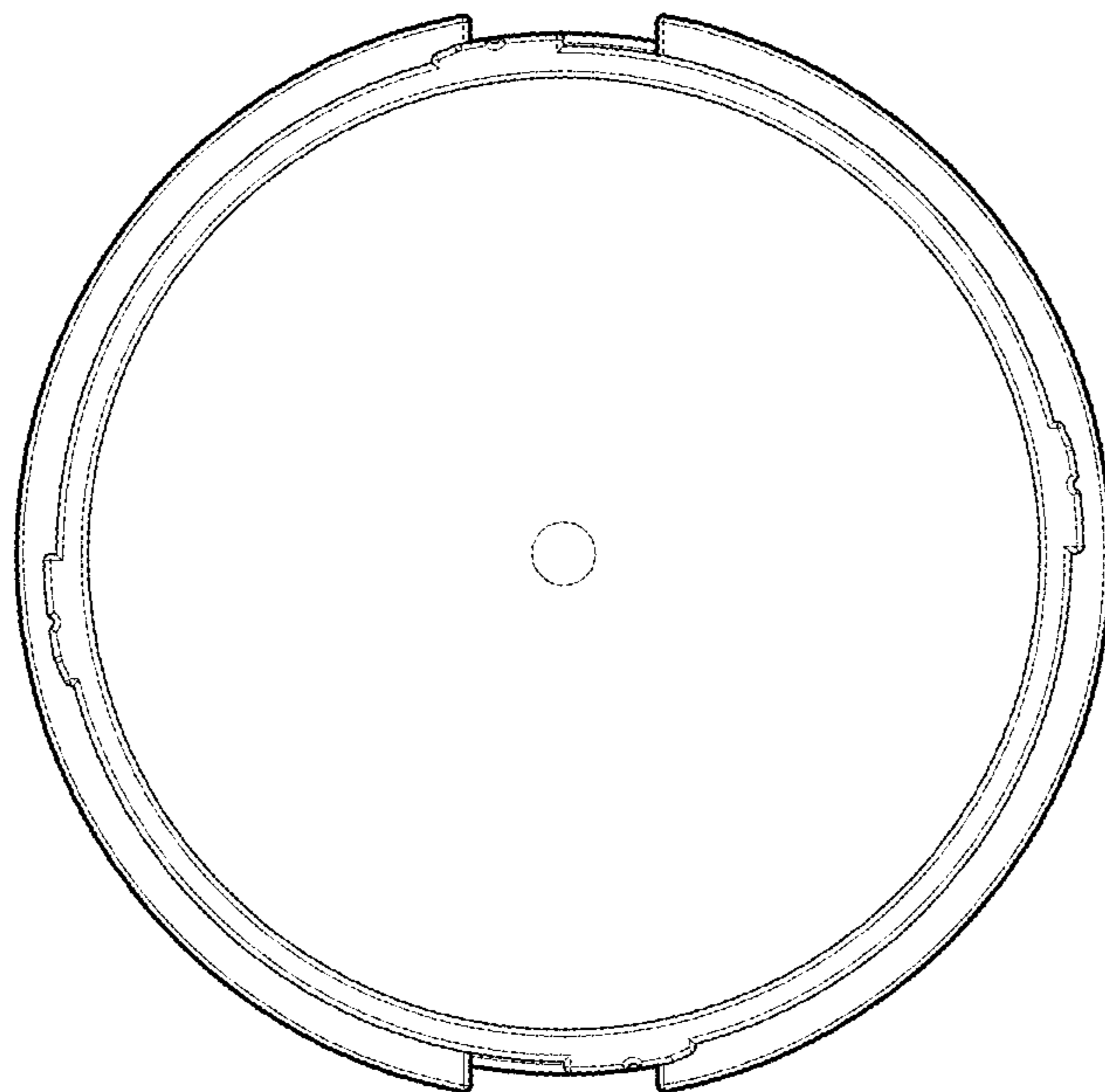


FIG. 17

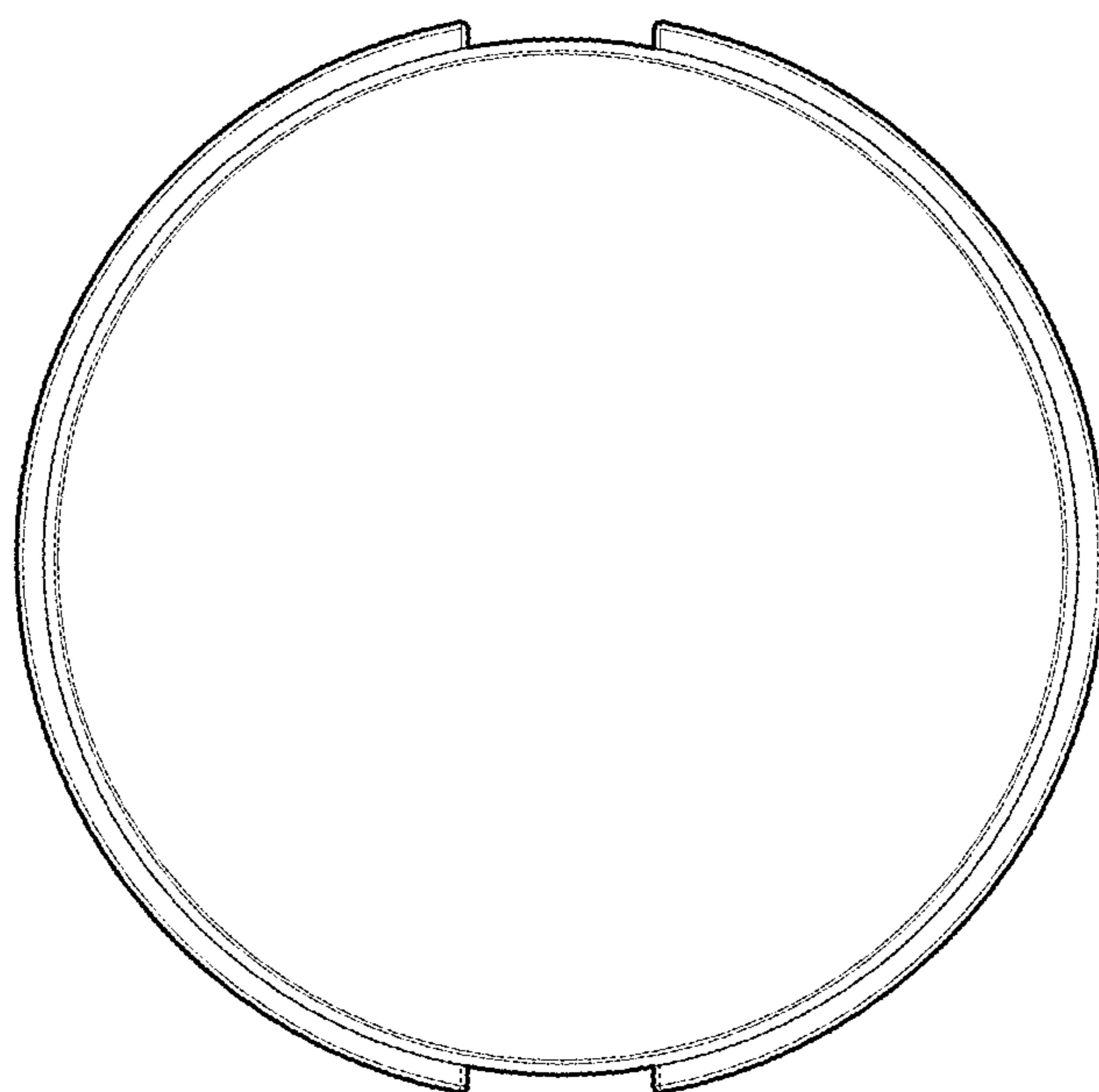


FIG. 18

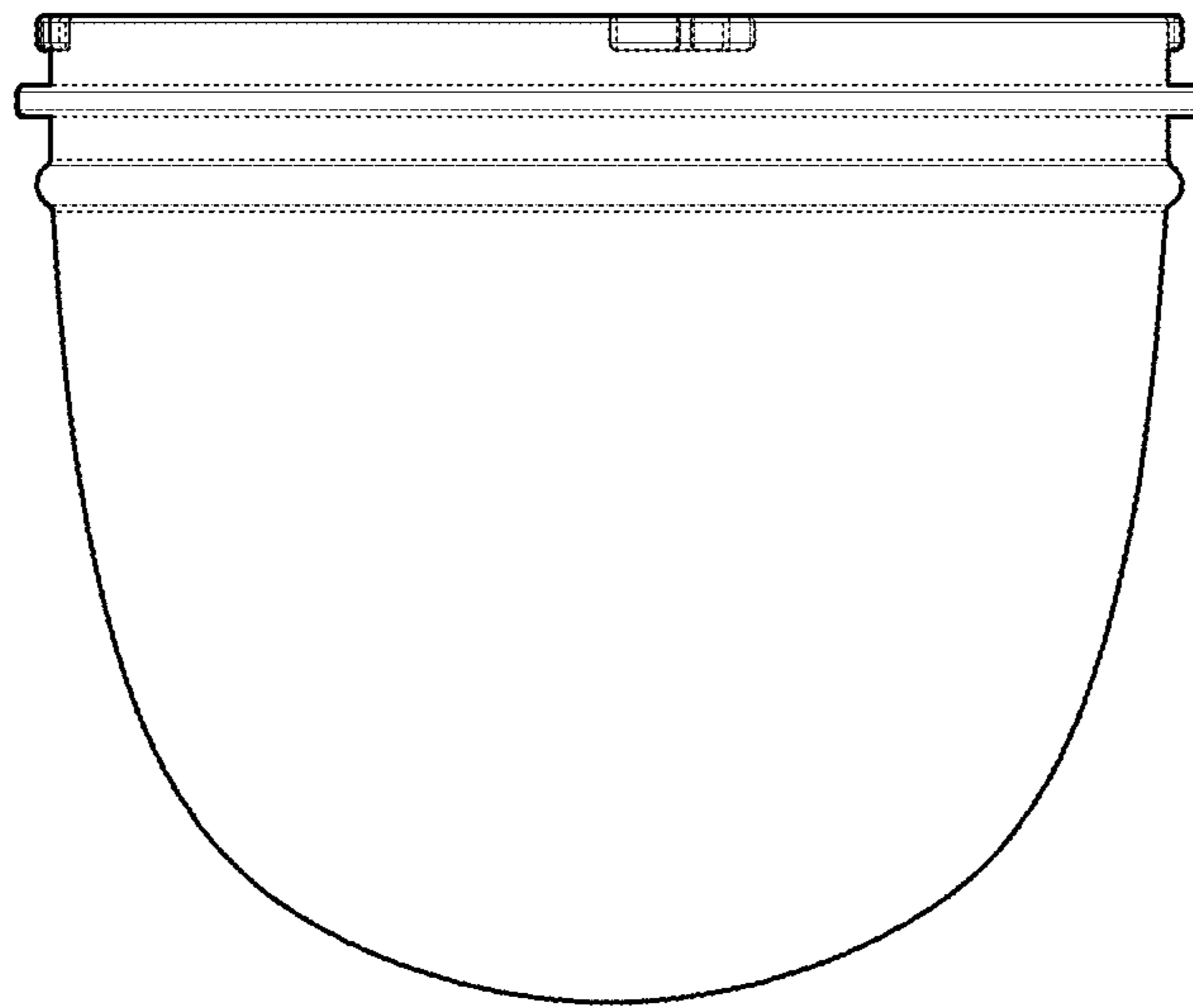


FIG. 19

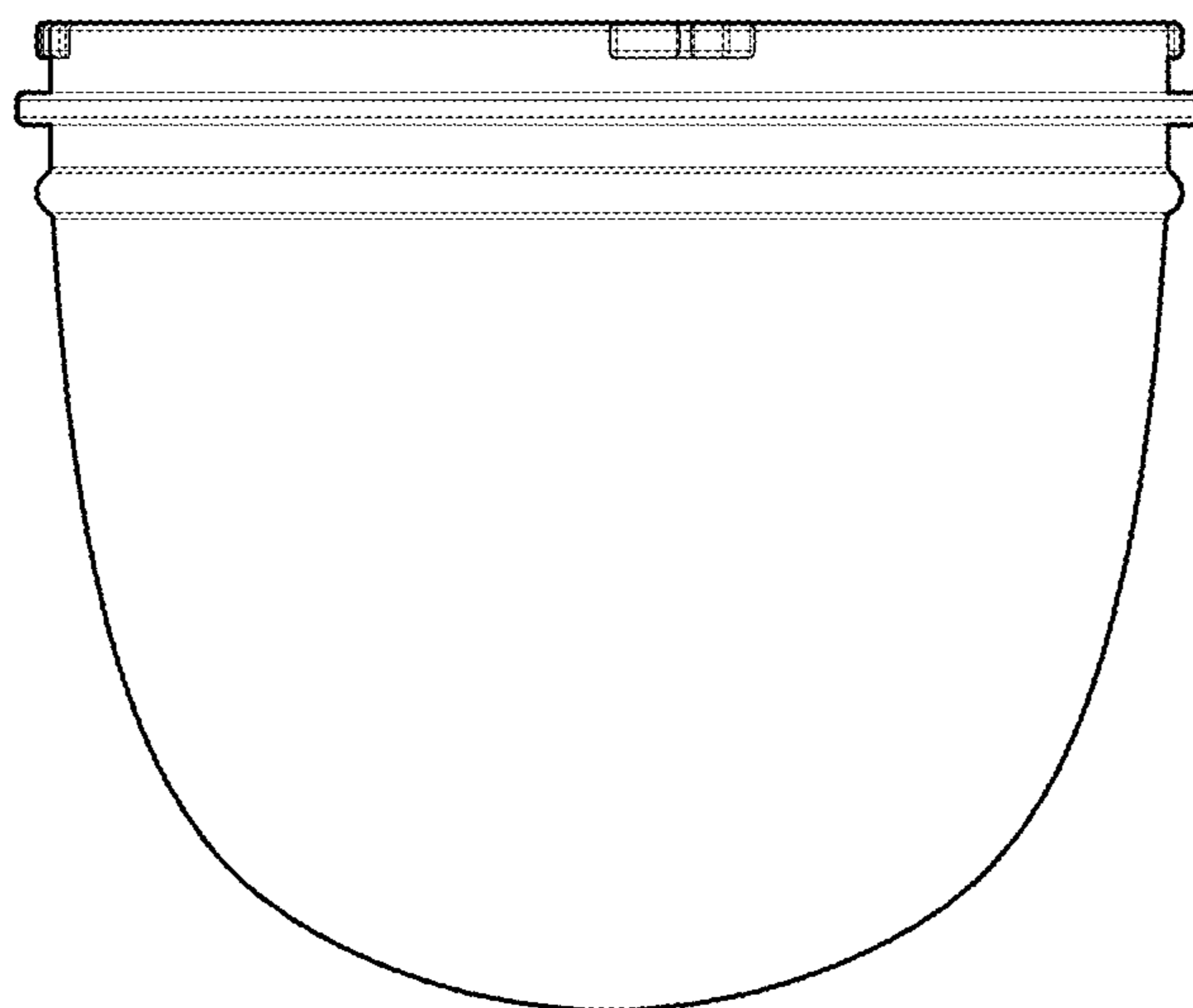


FIG. 20

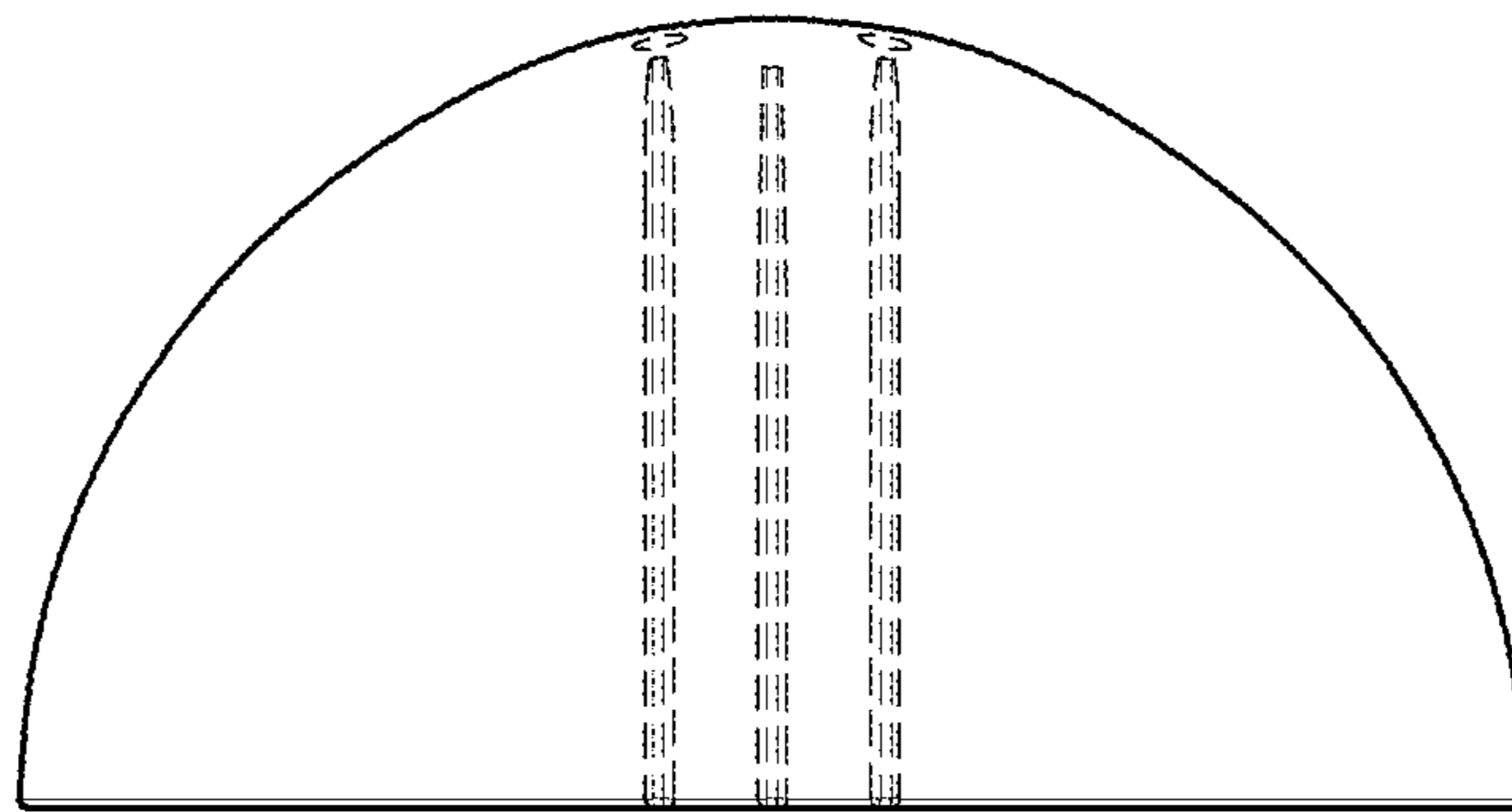


FIG. 21

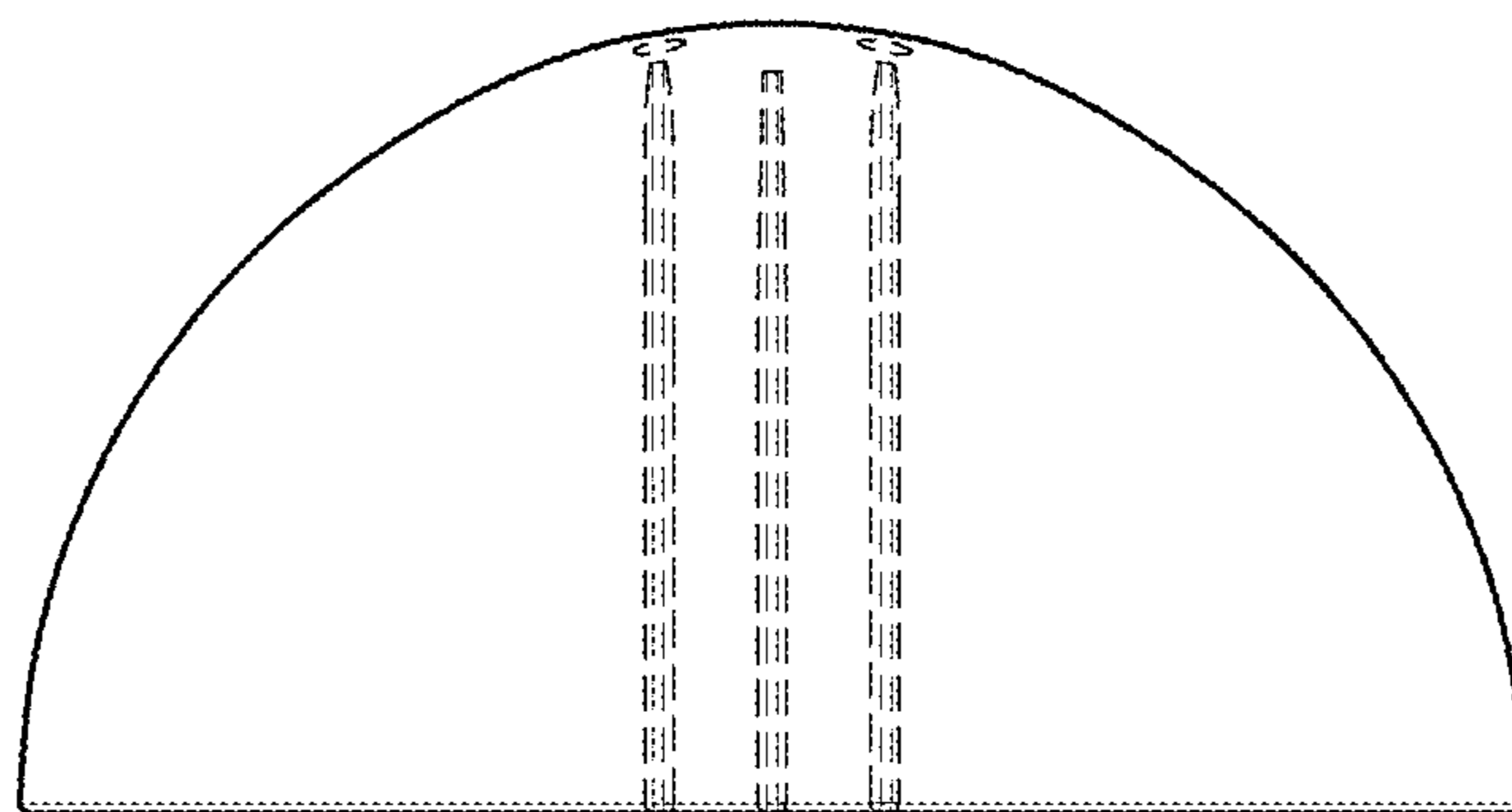


FIG. 22

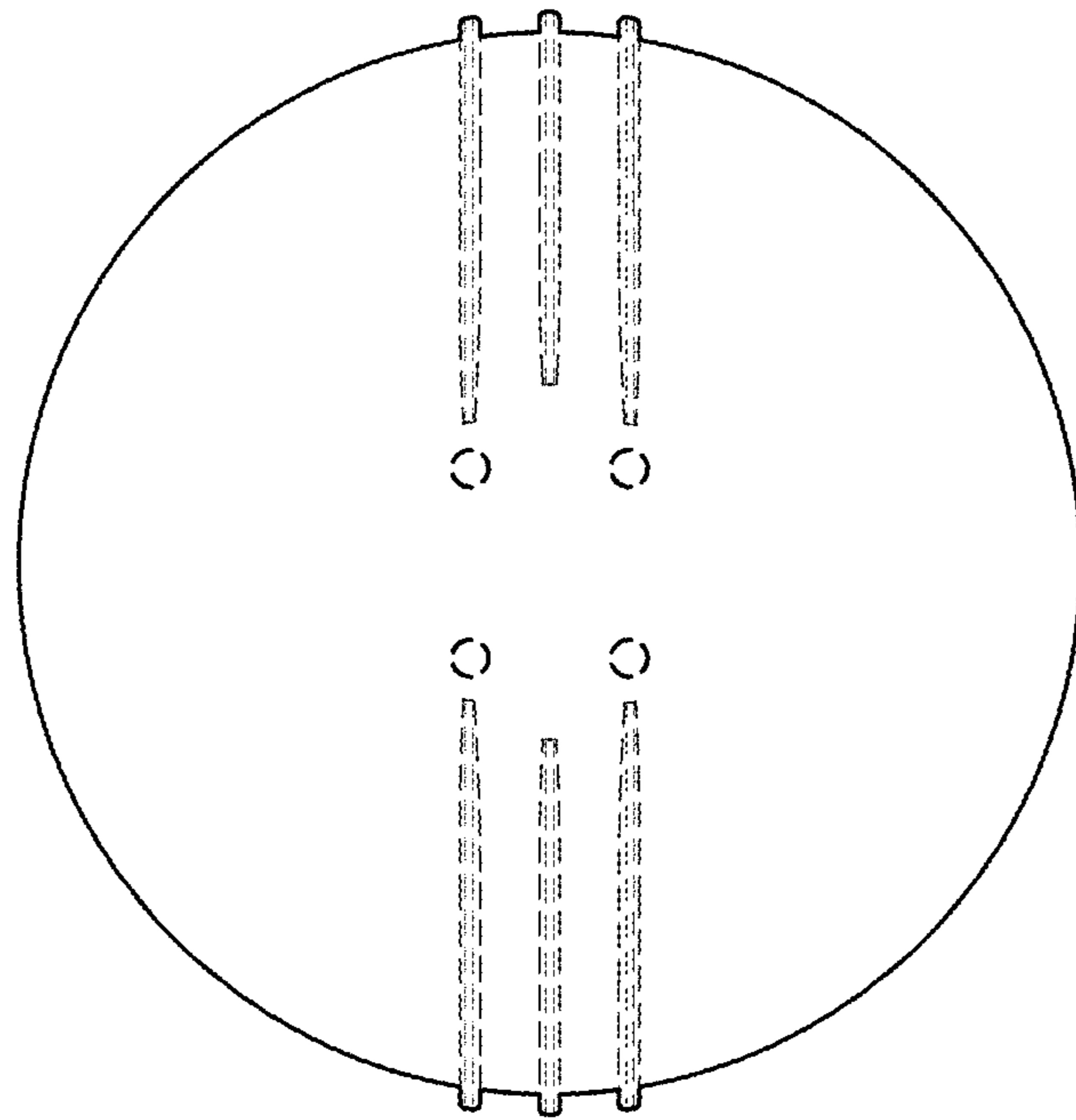


FIG. 23

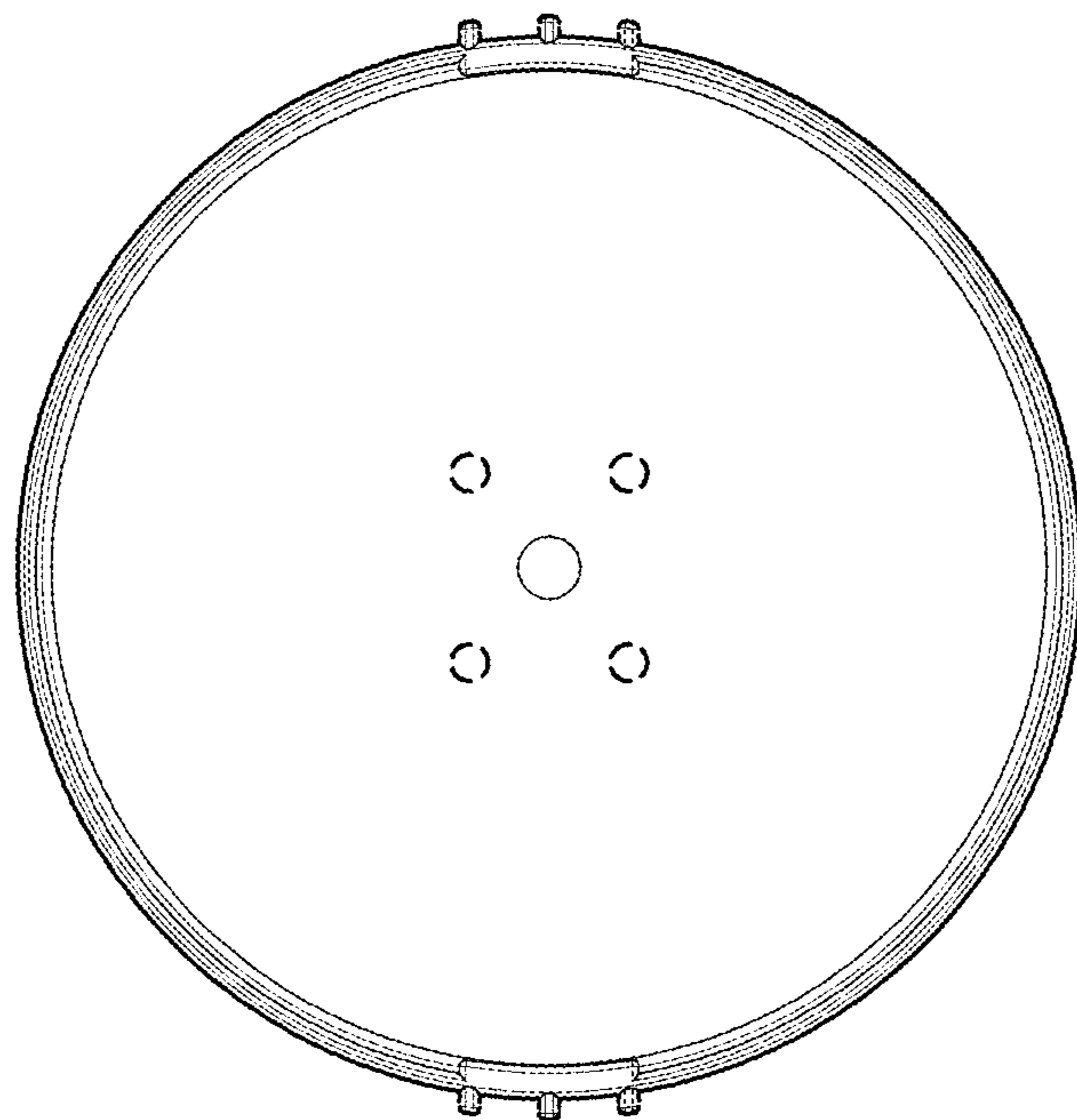


FIG. 24

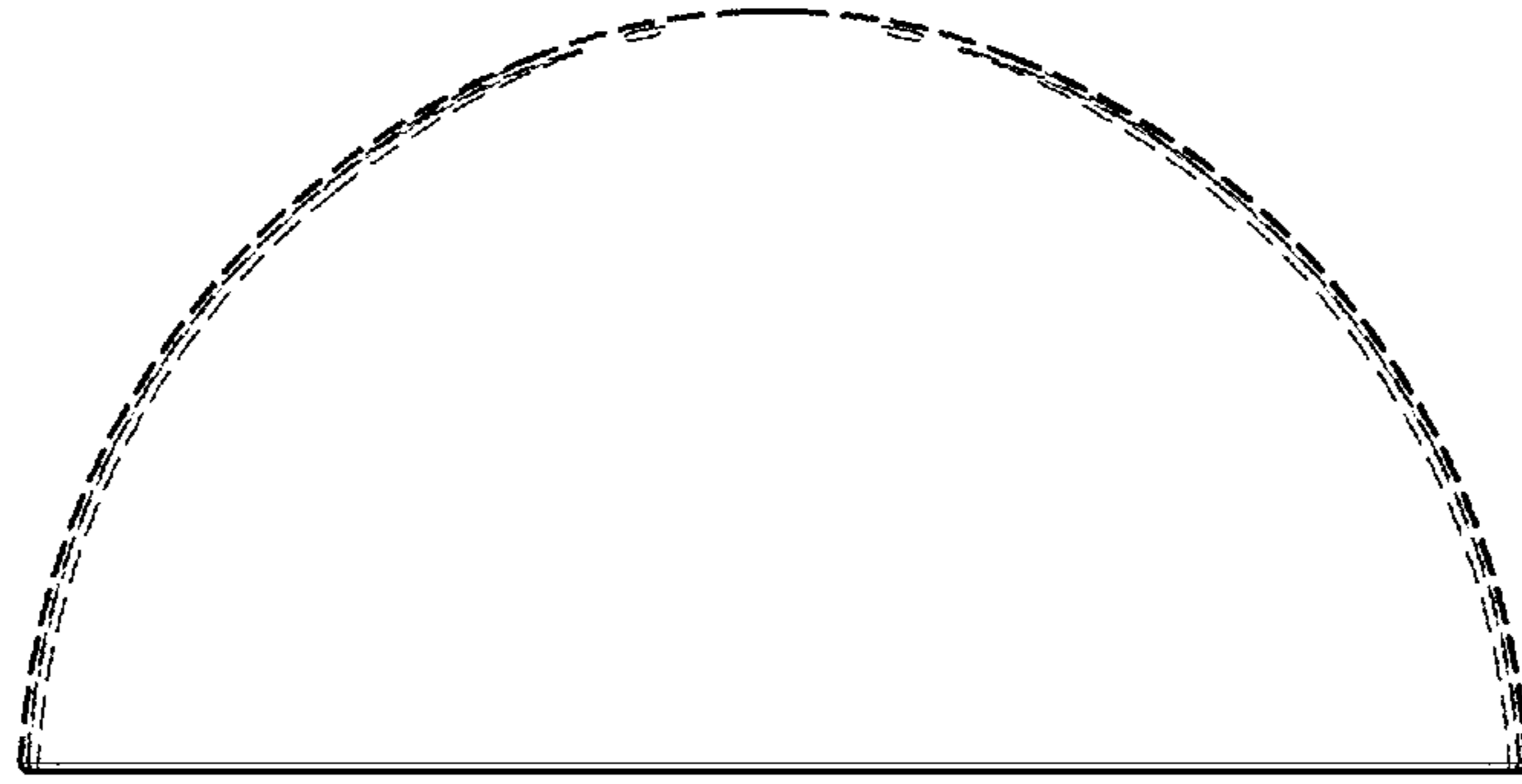


FIG. 25

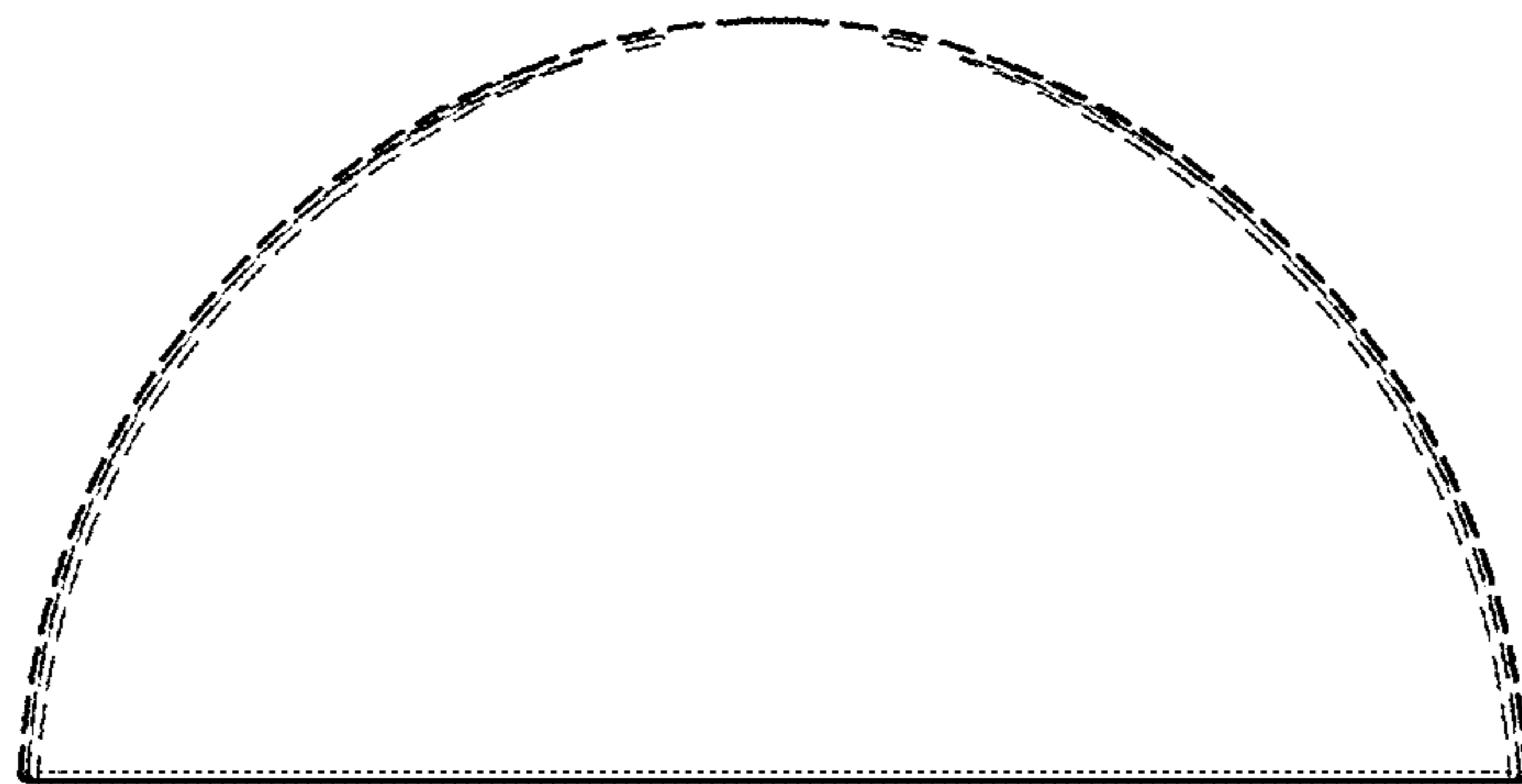


FIG. 26