



US00D771429S

(12) **United States Design Patent**
Burgos Gimenez

(10) **Patent No.:** **US D771,429 S**

(45) **Date of Patent:** **** Nov. 15, 2016**

(54) **PORTABLE VERTICAL OVEN USING VEGETABLE OR MINERAL CHARCOAL, OR WOOD**

(71) Applicant: **Antonio Burgos Gimenez**, Valle de Mena (ES)

(72) Inventor: **Antonio Burgos Gimenez**, Valle de Mena (ES)

(**) Term: **14 Years**

(21) Appl. No.: **29/488,355**

(22) Filed: **Apr. 17, 2014**

(51) **LOC (10) Cl.** **07-02**

(52) **U.S. Cl.**
USPC **D7/332**

(58) **Field of Classification Search**
USPC D7/332, 334-337, 402-405, 417, 338, D7/348; 126/275 E; D9/433
CPC A47J 37/0704; A47J 37/0763; A47J 37/0745; A47J 37/0713; A47J 37/0768; A47J 37/079; A47J 36/26; A47J 39/00; F24B 1/205; F24B 1/02; F24B 15/04; F24C 3/14; F24C 3/027; F24C 15/08; F47J 33/00; B65D 7/26; B65D 7/24; B65D 85/1045; B65D 85/18; A23B 4/052

See application file for complete search history.

(56) **References Cited**

U.S. PATENT DOCUMENTS

D374,371 S * 10/1996 Hall McDonald 99/340
D463,948 S * 10/2002 Innes D7/332

D481,903 S * 11/2003 Hester D7/332
D486,348 S * 2/2004 Zhu D7/332
D574,177 S * 8/2008 Hulsey D7/335
D576,833 S * 9/2008 Mansell D7/332
D583,185 S * 12/2008 Rutter D7/334
D585,234 S * 1/2009 Winebrenner D7/335
D592,442 S * 5/2009 Rutter D7/334
D598,698 S * 8/2009 Lee D7/332
D629,244 S * 12/2010 McLemore D7/332
D650,215 S * 12/2011 Chung D7/332
2005/0121018 A1 * 6/2005 Rosen F24B 1/182
126/9 R
2013/0014743 A1 * 1/2013 Glanville A47J 37/0704
126/25 R

* cited by examiner

Primary Examiner — Ruth McInroy

(74) *Attorney, Agent, or Firm* — Sanchelima & Associates P.A.; Jesus Sanchelima, Esq.; Christian Sanchelima, Esq.

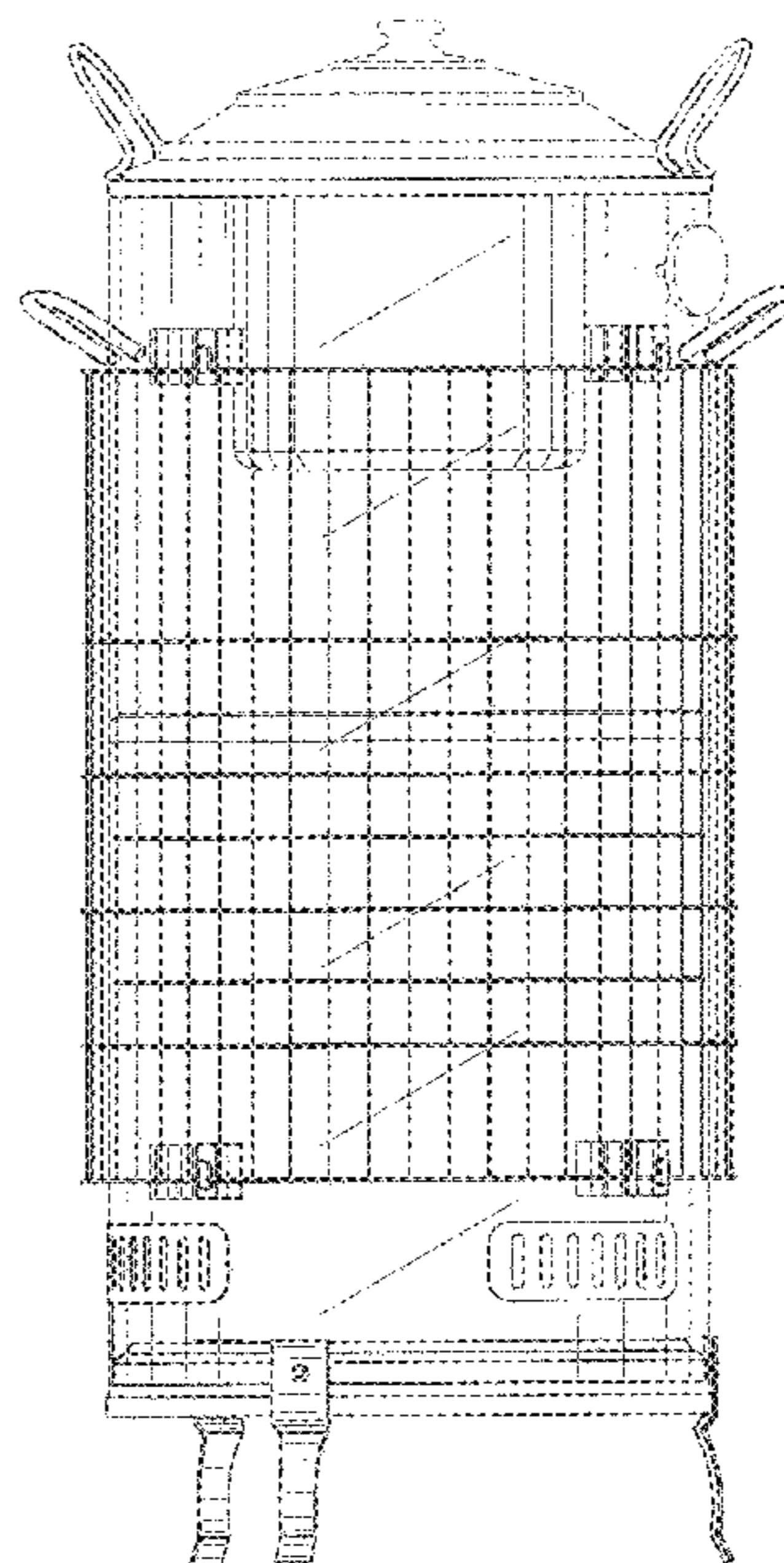
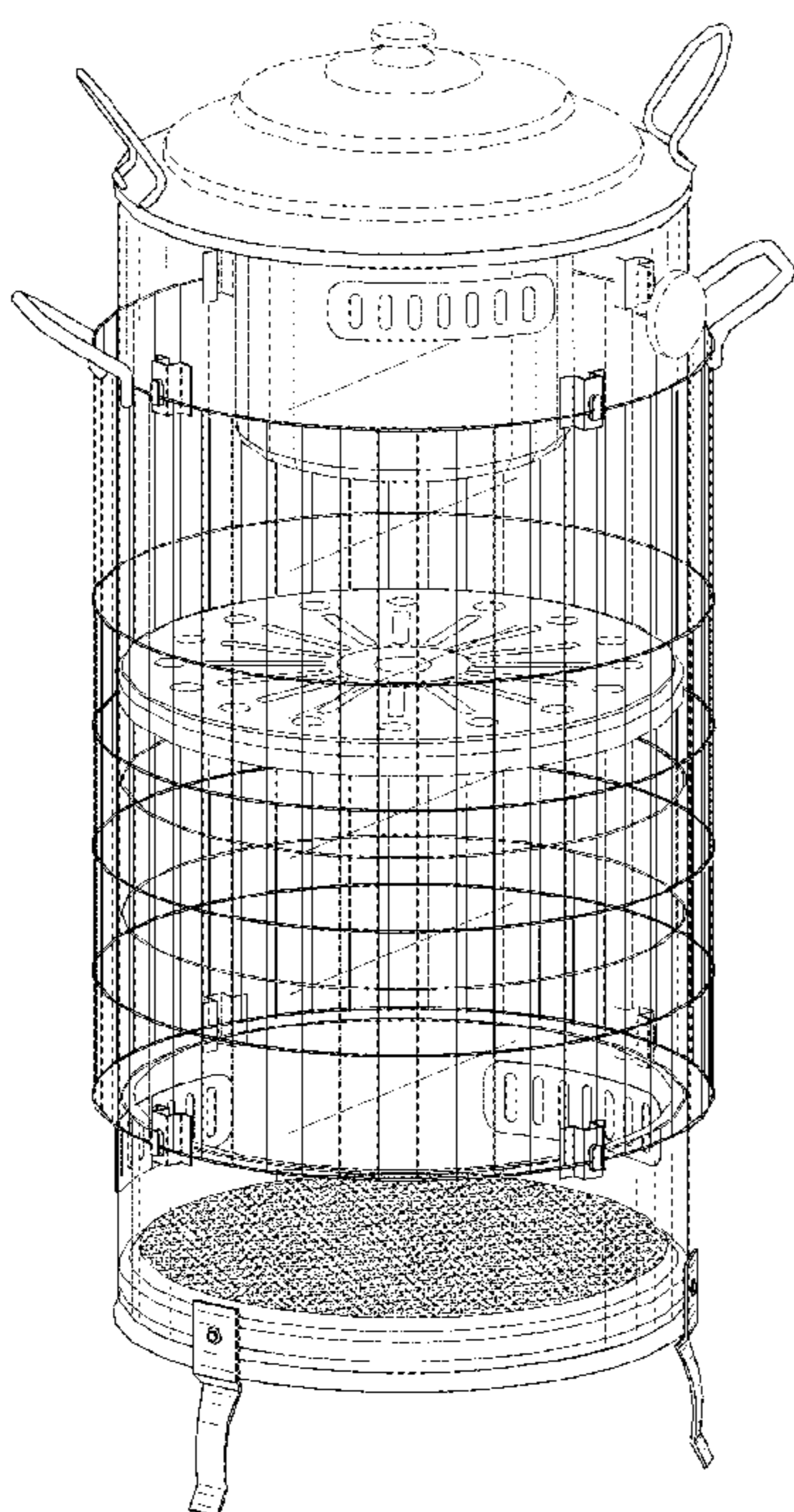
(57) **CLAIM**

The ornamental design for portable vertical oven using vegetable or mineral charcoal, or wood, as shown and described.

DESCRIPTION

FIG. 1 is a perspective view thereof;
FIG. 2 is a right elevational view thereof;
FIG. 3 is a left elevational view thereof;
FIG. 4 is top elevational view thereof; and,
FIG. 5 is a bottom elevational view.

1 Claim, 5 Drawing Sheets



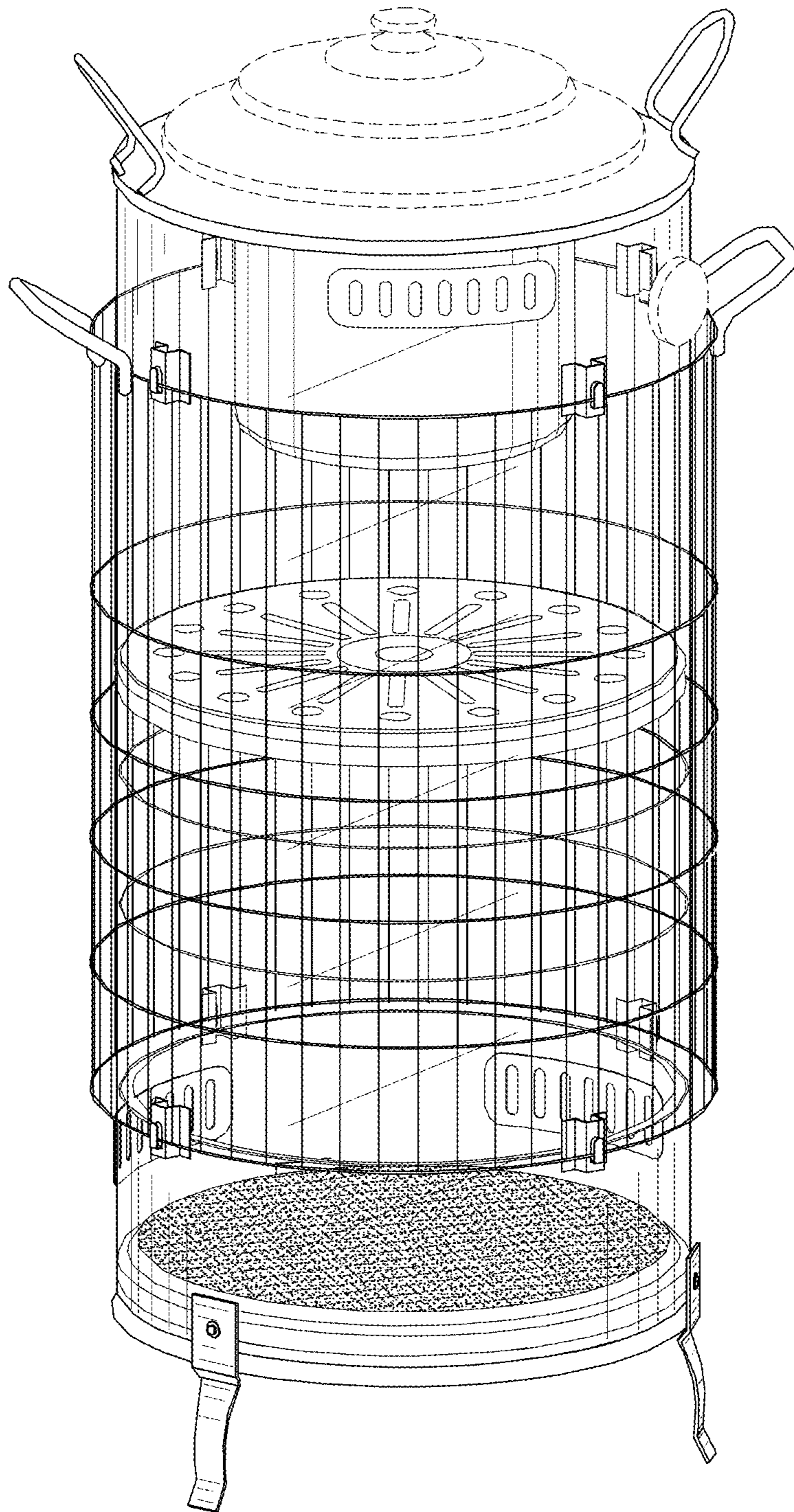


FIG 1

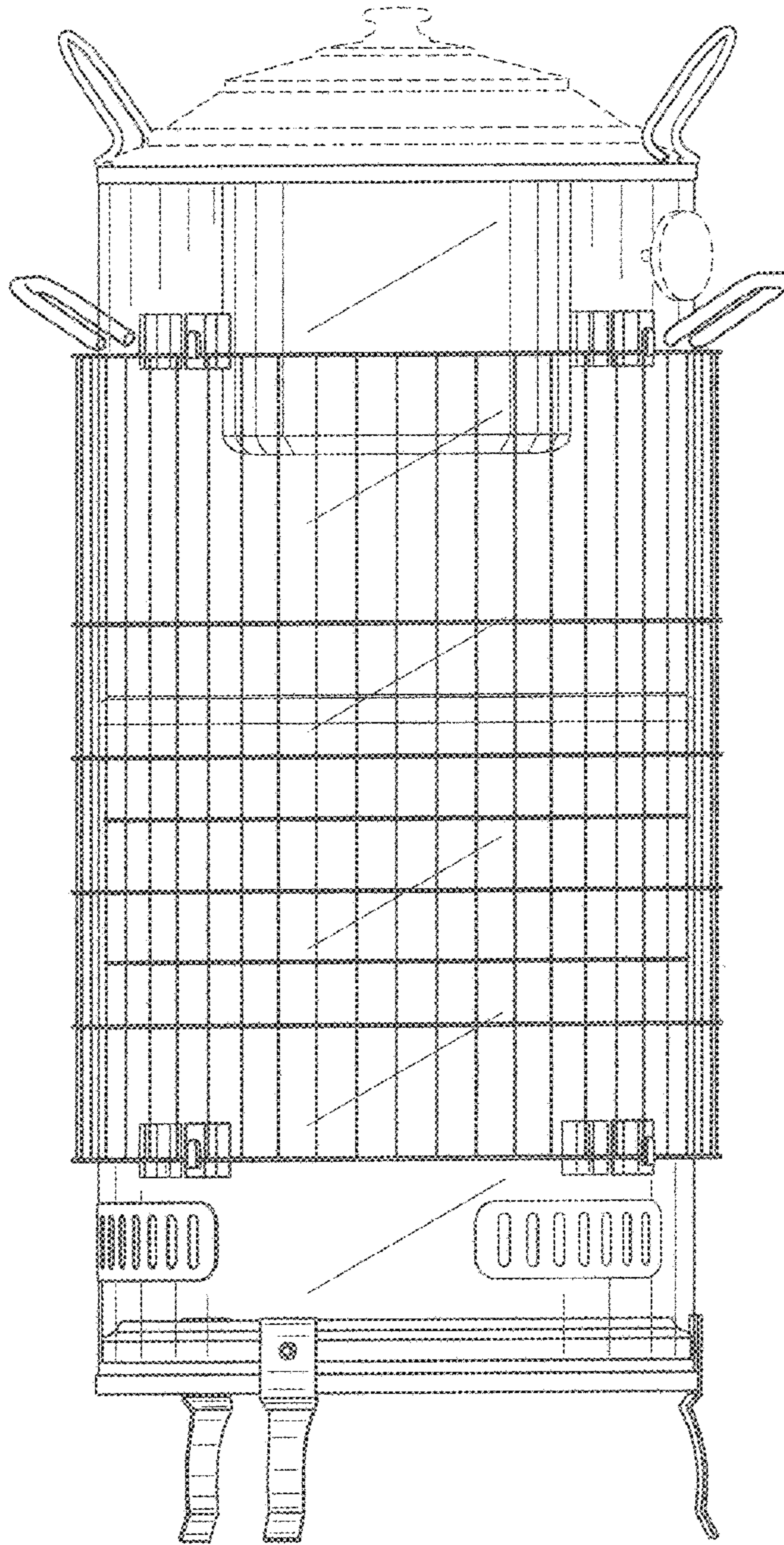


FIG 2

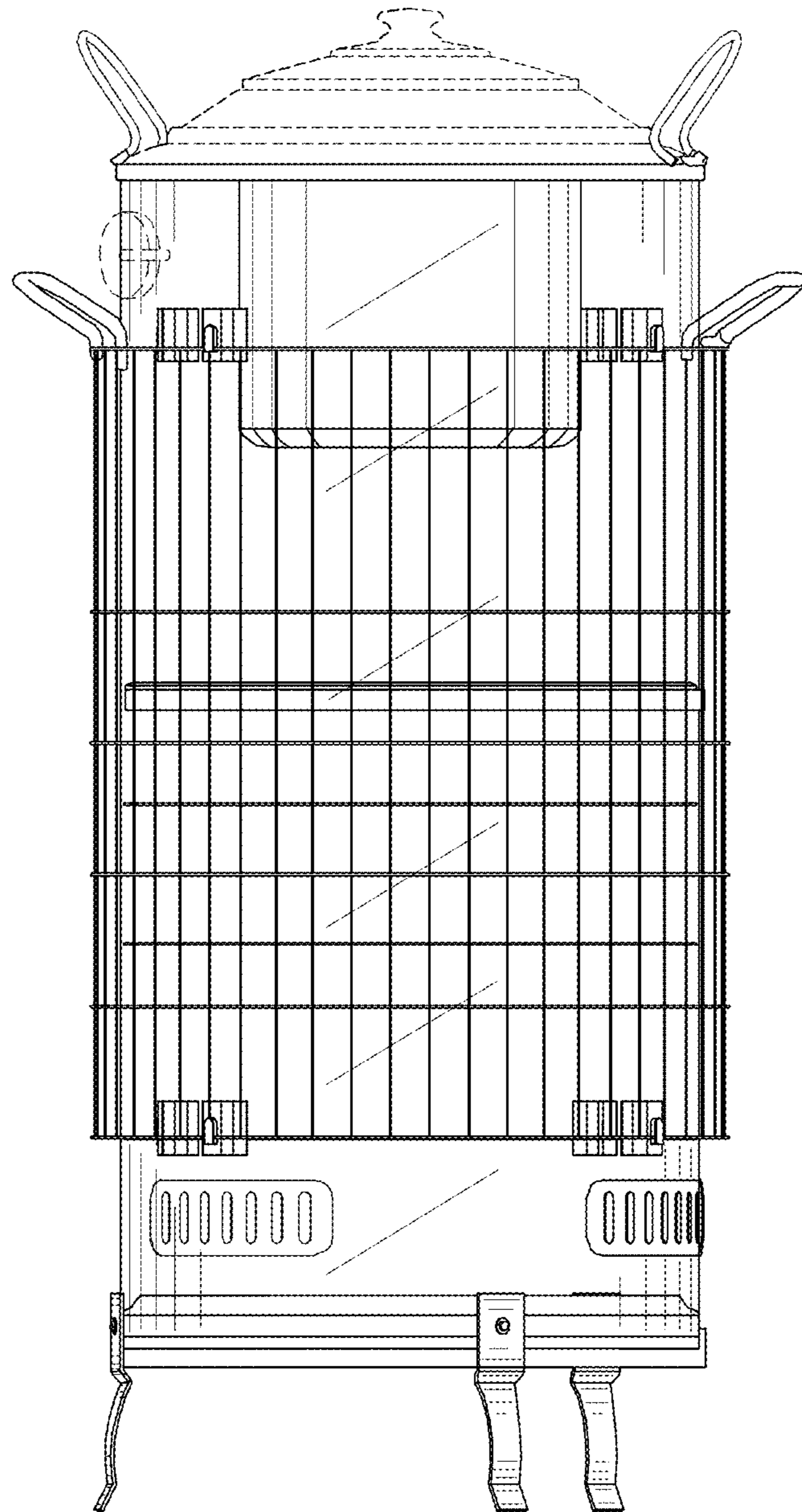


FIG 3

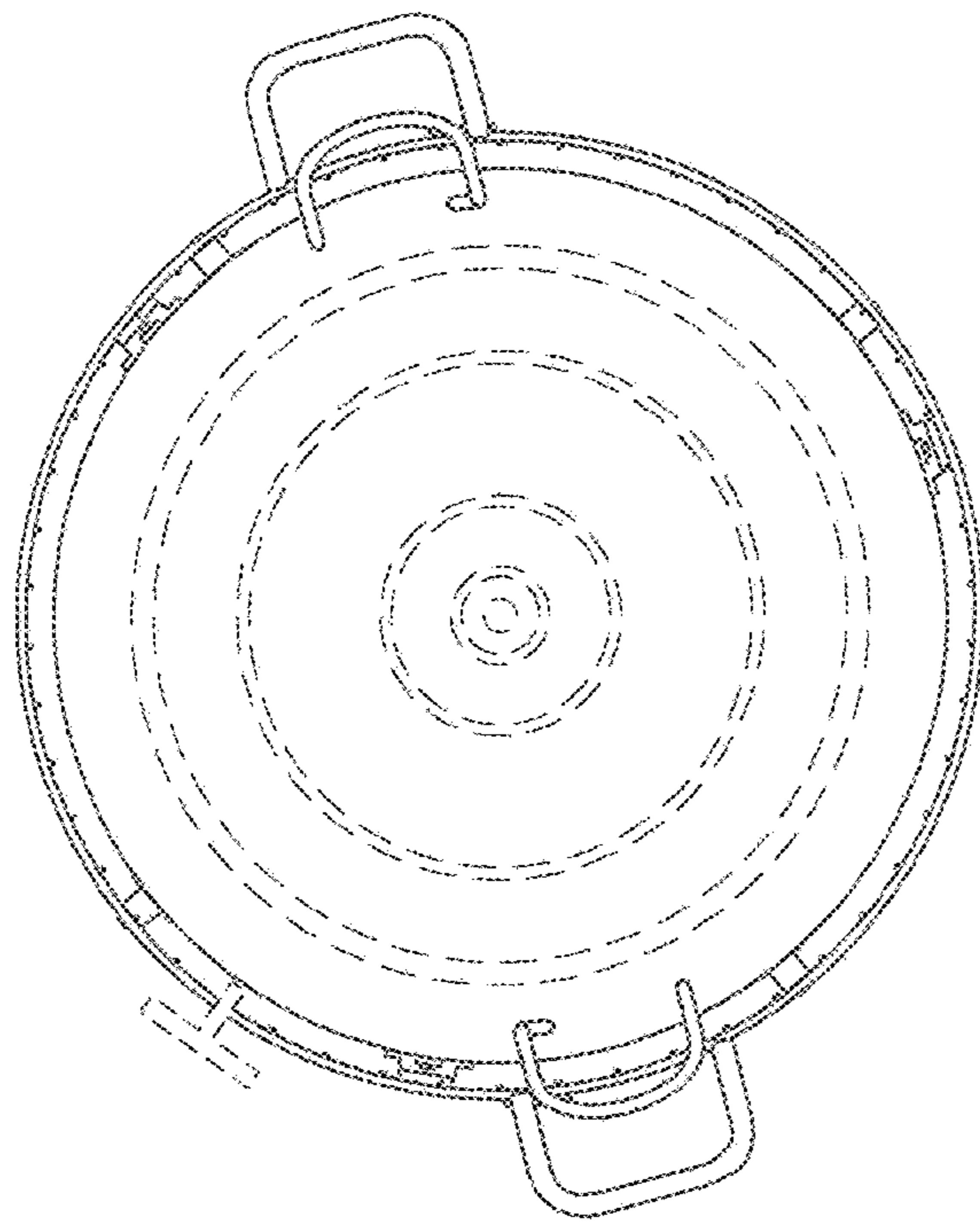


FIG 4

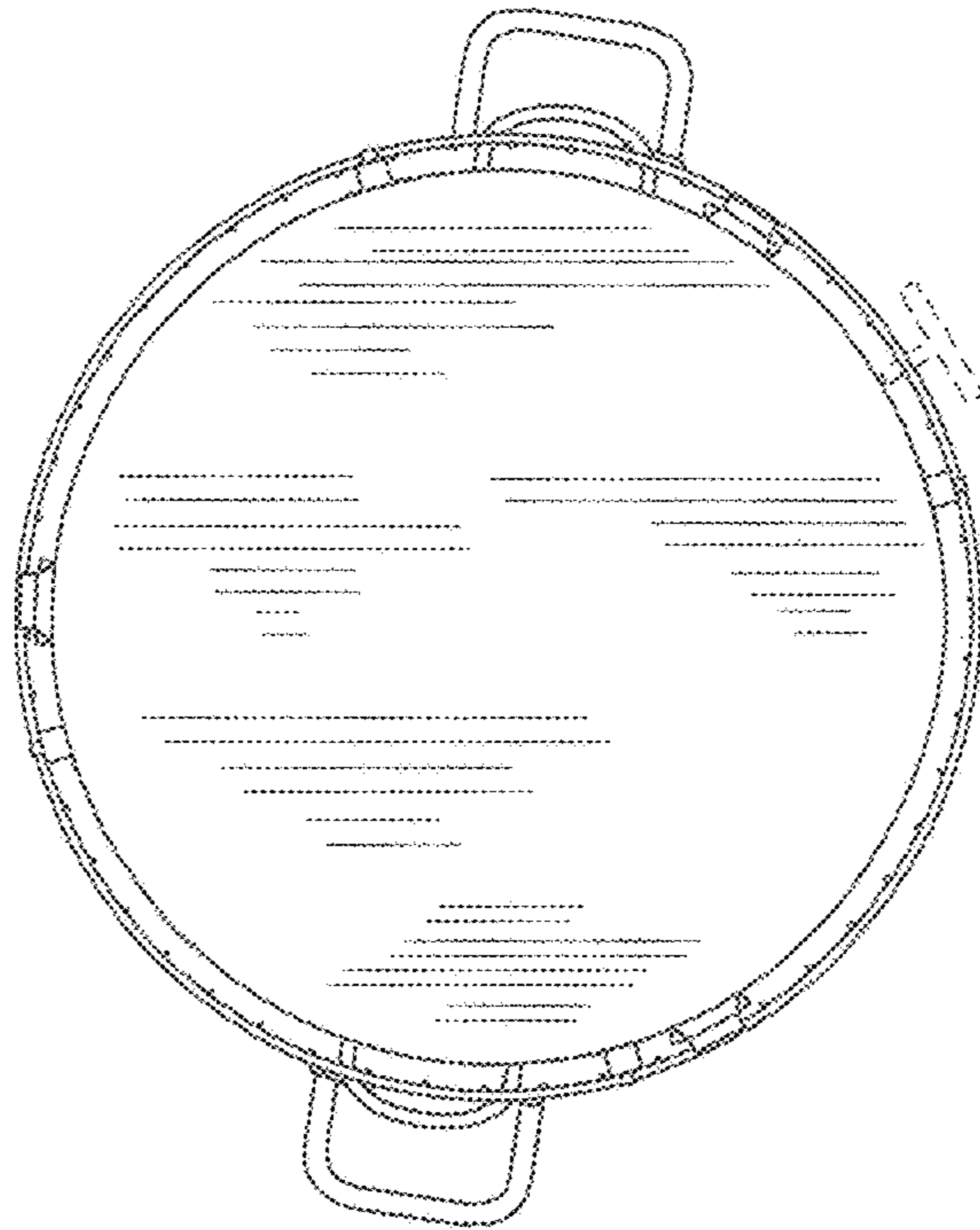


FIG 5