



US00D771427S

(12) **United States Design Patent**
Winfield

(10) **Patent No.:** **US D771,427 S**

(45) **Date of Patent:** **** Nov. 15, 2016**

(54) **HANDLE FOR A STEP**

(71) Applicant: **Gordon Ellis & Company**, Derby
(GB)

(72) Inventor: **Alan Winfield**, Derby (GB)

(73) Assignee: **GORDON ELLIS & COMPANY**,
Derby (GB)

(**) Term: **15 Years**

(21) Appl. No.: **29/527,468**

(22) Filed: **May 19, 2015**

(51) **LOC (10) Cl.** **06-01**

(52) **U.S. Cl.**
USPC **D6/717**

(58) **Field of Classification Search**
USPC D6/334-336, 349, 371, 372, 373, 374,
D6/376, 379, 716, 716.3, 717
CPC A47C 4/02; A47C 4/03; A47C 4/025;
A47C 5/04; A47C 7/54; A47D 1/004
See application file for complete search history.

(56) **References Cited**

U.S. PATENT DOCUMENTS

2,834,404 A * 5/1958 Groome A47D 1/004
297/344.12
D380,102 S * 6/1997 Breen D6/379

D391,778 S * 3/1998 Cretcher D6/374
D396,961 S * 8/1998 Donnelly D6/334
D425,720 S * 5/2000 Smith D6/379
D525,809 S * 8/2006 Hughes D6/717

* cited by examiner

Primary Examiner — Mimososa De

(74) *Attorney, Agent, or Firm* — Pearne & Gordon LLP

(57) **CLAIM**

I claim the ornamental design for a handle for a step, as shown and described herein.

DESCRIPTION

FIG. 1 is a left-front perspective view of the handle for a step from above.

FIG. 2 is a left-side view of the handle for a step.

FIG. 3 is a front view of the handle for a step.

FIG. 4 is a right-side view of the handle for a step.

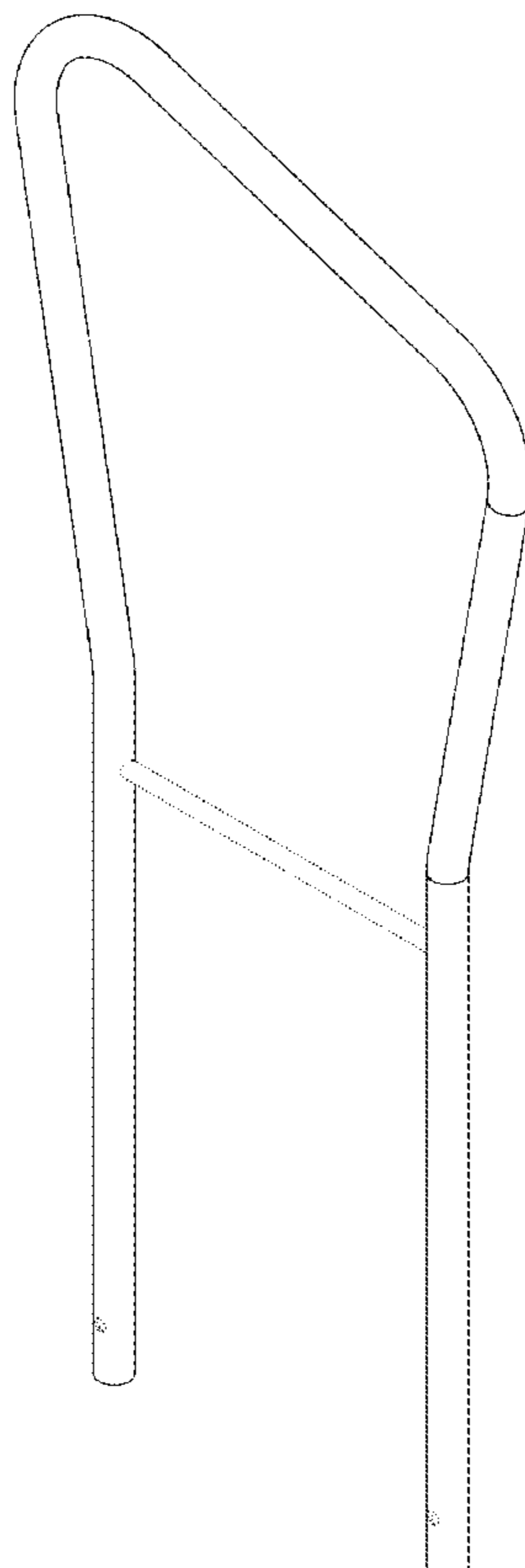
FIG. 5 is a rear view of the handle for a step.

FIG. 6 is a top view of the handle for a step; and,

FIG. 7 is a bottom view of the handle for a step.

Broken lines are used in the drawings to illustrate features of the stool that form no part of the claimed design.

1 Claim, 7 Drawing Sheets



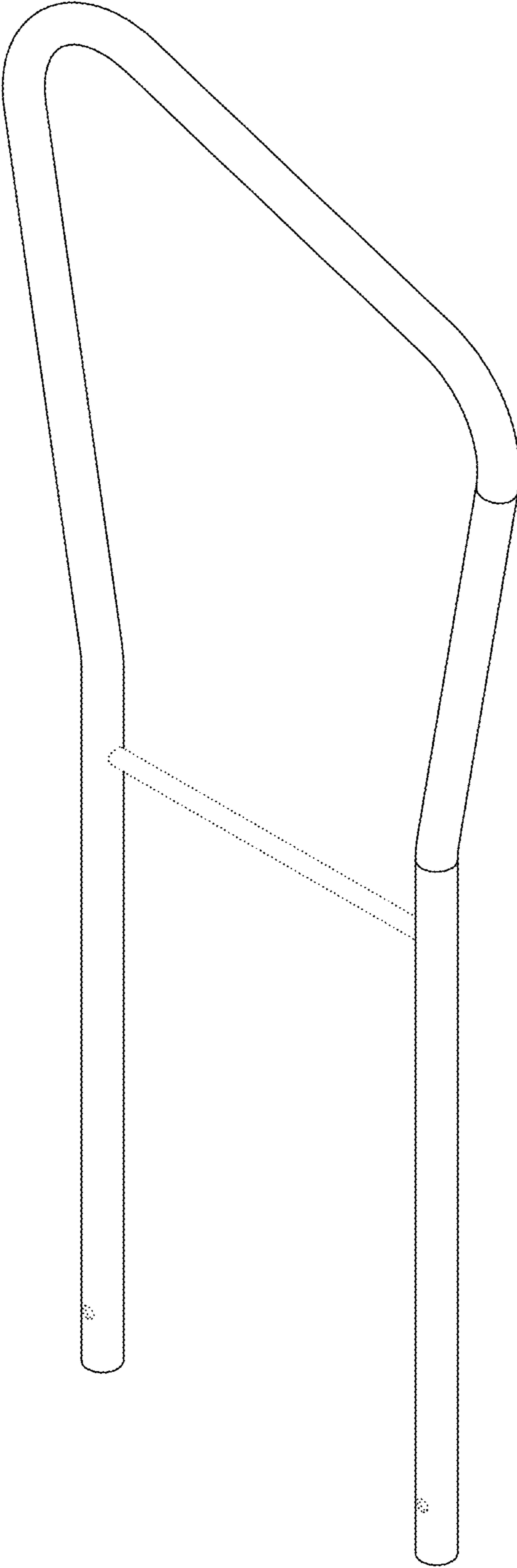


FIG. 1

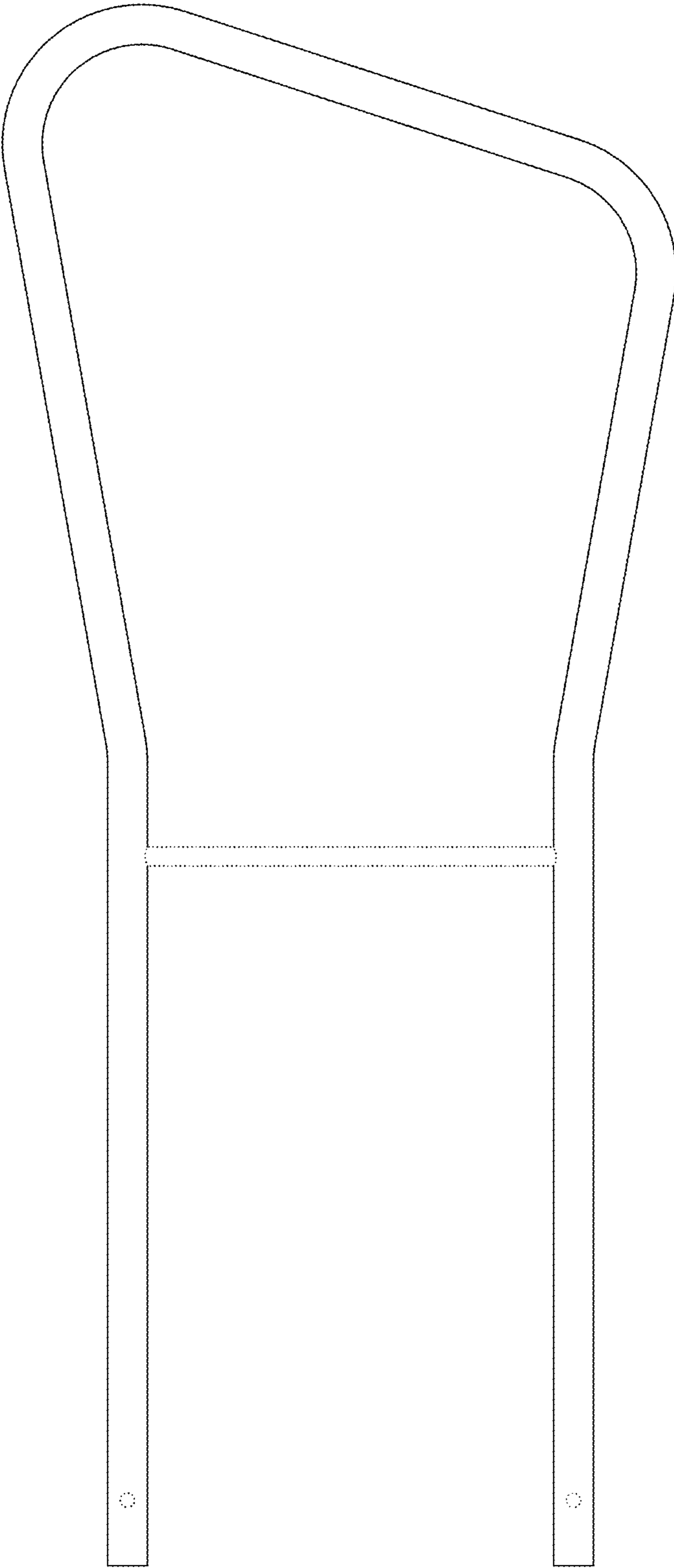


FIG. 2



FIG. 3

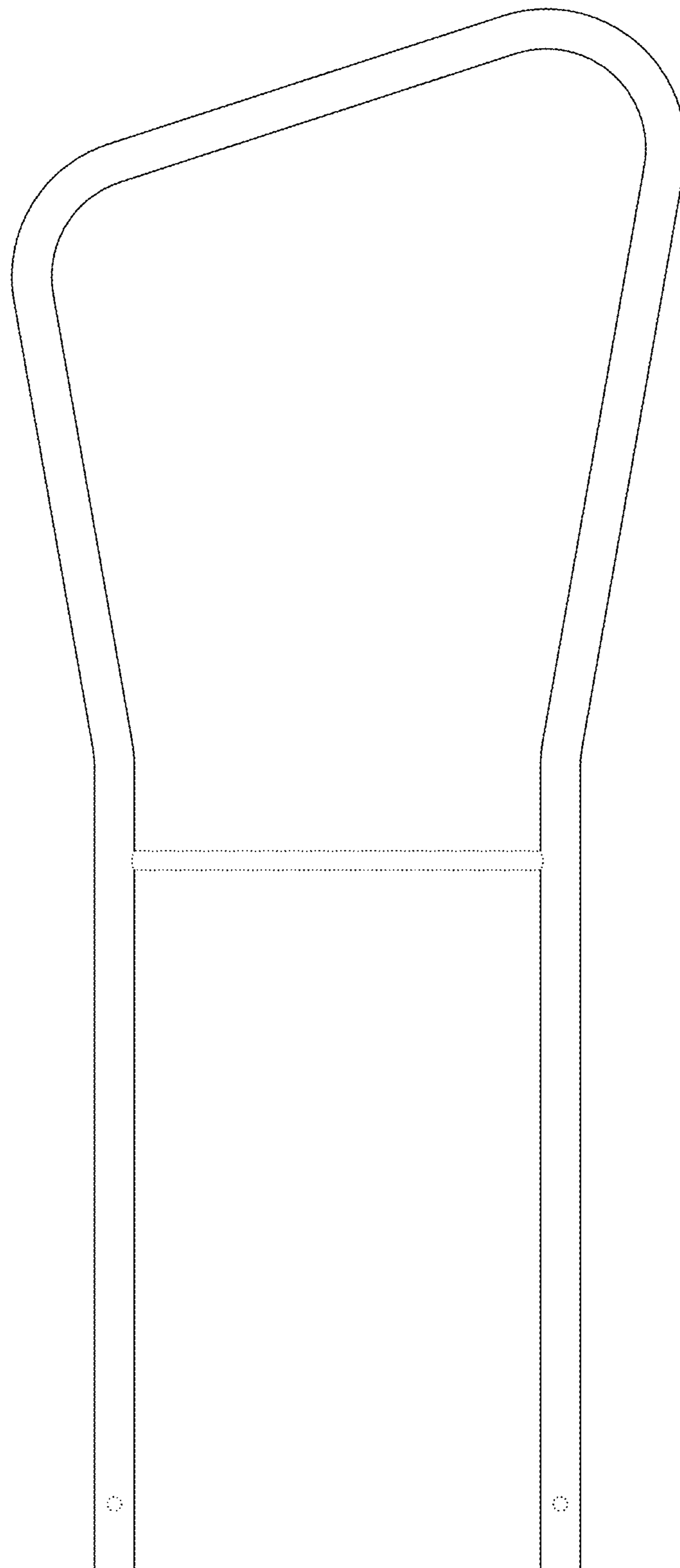


FIG. 4



FIG. 5



FIG. 6

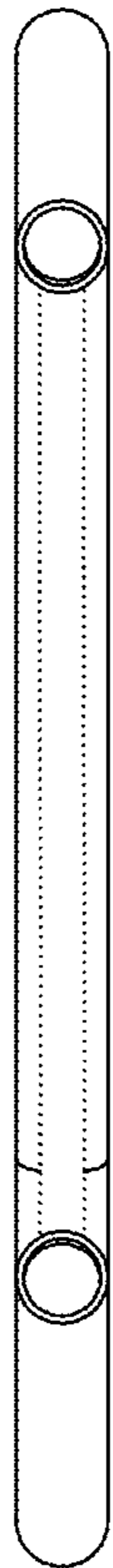


FIG. 7