



US00D771426S

(12) **United States Design Patent**
Kawai

(10) **Patent No.:** **US D771,426 S**

(45) **Date of Patent:** **** Nov. 15, 2016**

(54) **STADIUM SEAT**

(71) Applicant: **DIC Corporation**, Itabashi-ku, Tokyo (JP)

(72) Inventor: **Toru Kawai**, Sendai (JP)

(73) Assignee: **DIC CORPORATION**, Tokyo (JP)

(**) Term: **14 Years**

(21) Appl. No.: **29/503,341**

(22) Filed: **Sep. 25, 2014**

(30) **Foreign Application Priority Data**

Mar. 26, 2014 (JP) D2014-006432

(51) **LOC (10) Cl.** **06-01**

(52) **U.S. Cl.**
USPC **D6/716.4**

(58) **Field of Classification Search**

USPC D6/719, 707.24, 707.19, 716, 702, 707,
D6/707.25, 716.4, 502, 611, 610, 596, 601,
D6/602, 603, 616, 617, 334, 374, 375,
D6/378; 150/154, 158; 297/452.1, 452.11,
297/452.12, 452.14, 452.29, 452.31,
297/452.32, 452.36, 452.38, 452.46,
297/452.48, 463.2

CPC .. A47C 1/024; A47C 1/032; A47C 1/03255;
A47C 1/035; A47C 1/16; A47C 1/12; A47C
1/121; A47C 1/124; A47C 3/026; A47C
4/28; A47C 4/30; A47C 7/00; A47C 7/42;
A47C 7/44; A47C 7/56; A47C 7/563; A47C
7/566; A47C 7/40; A47C 7/004; A47C 7/36;
A47C 27/00; A47C 31/02

See application file for complete search history.

(56) **References Cited**

U.S. PATENT DOCUMENTS

D172,218 S * 5/1954 Burst D6/374
3,137,527 A * 6/1964 Hoven A47C 1/121
297/331

4,871,209 A * 10/1989 Handelman A47C 3/16
297/378.1
D426,967 S * 6/2000 King D6/368
D450,944 S * 11/2001 Shepard D6/369
D520,765 S * 5/2006 Piano D6/368
D583,597 S * 12/2008 Egger D6/366
D604,968 S * 12/2009 True D6/366

(Continued)

Primary Examiner — Rosemary K Tarcza

Assistant Examiner — Christy Nemeth

(74) *Attorney, Agent, or Firm* — Leydig, Voit & Mayer

(57) **CLAIM**

The ornamental design or a stadium seat, as shown and described.

DESCRIPTION

FIG. 1 is a front view of a stadium seat of the present invention.

FIG. 2 is a rear view of the stadium seat of FIG. 1.

FIG. 3 is a top plan view of the stadium seat of FIG. 1.

FIG. 4 is a bottom view of the stadium seat of FIG. 1.

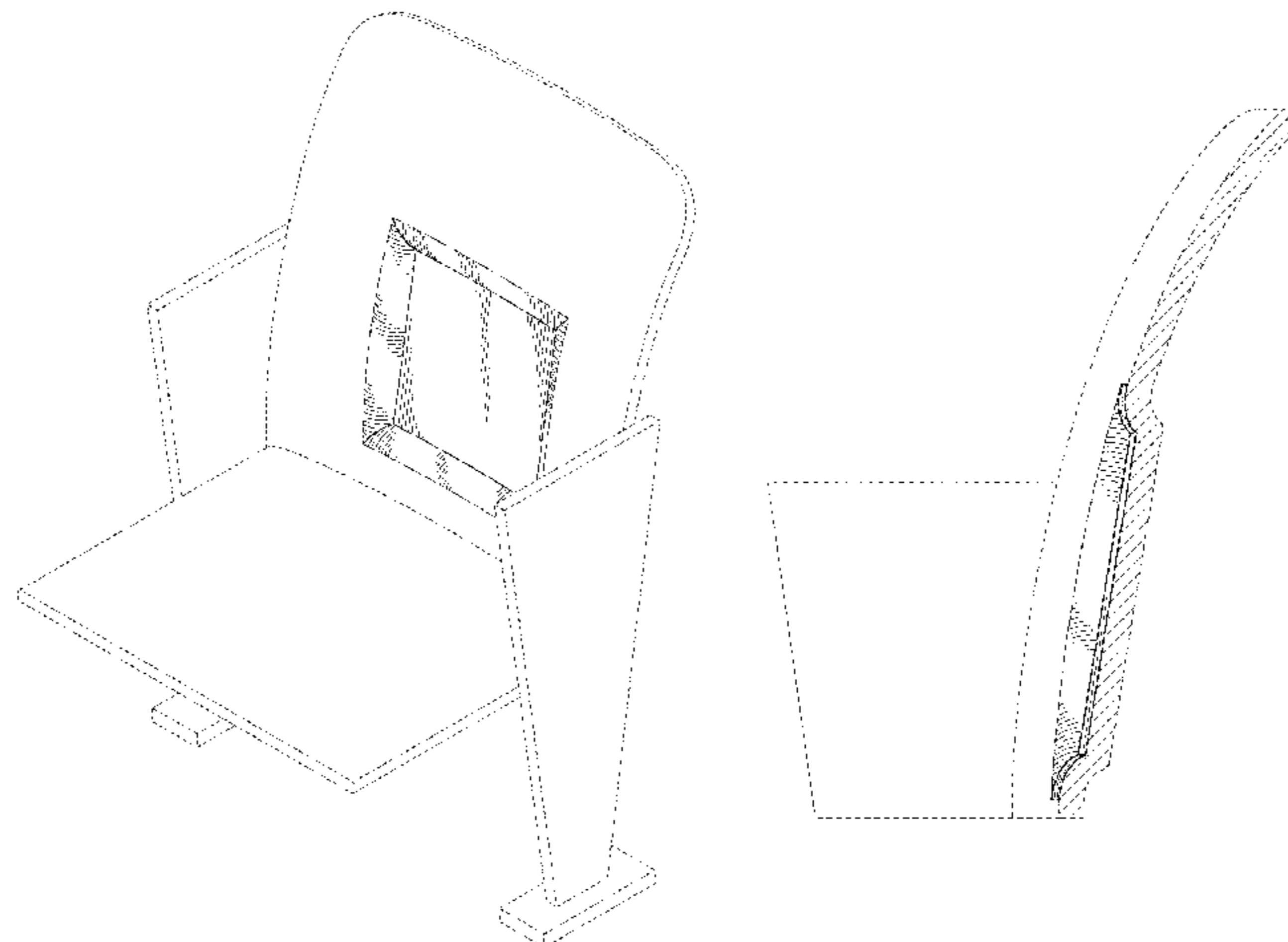
FIG. 5 is a right side view of the stadium seat of FIG. 1.

FIG. 6 is a left side view of the stadium seat of FIG. 1.

FIG. 7 is a front perspective view of the stadium seat of FIG. 1.

FIG. 8 is an enlarged sectional view in the direction indicated by the arrows 8-8 of the stadium seat of FIG. 1; and, FIG. 9 is an enlarged sectional view of the 9'-9' portion in the direction by the arrows 9-9 of the stadium seat of FIG. 3. The features shown in dotted lines depict environmental subject matter only and form no part of the claimed design. The broken lines having alternating long and short segments define bounds of the claimed design and form no part thereof.

1 Claim, 9 Drawing Sheets



US D771,426 S

Page 2

(56)

References Cited

U.S. PATENT DOCUMENTS

D646,095 S * 10/2011 Langbord D6/716.4
D726,468 S * 4/2015 McKenna D6/716
D737,088 S * 8/2015 Kawai D6/716.4

2008/0297997 A1* 12/2008 Anderson A47C 1/12
361/679.02
2013/0134754 A1* 5/2013 Alfano B60N 2/643
297/284.4

* cited by examiner

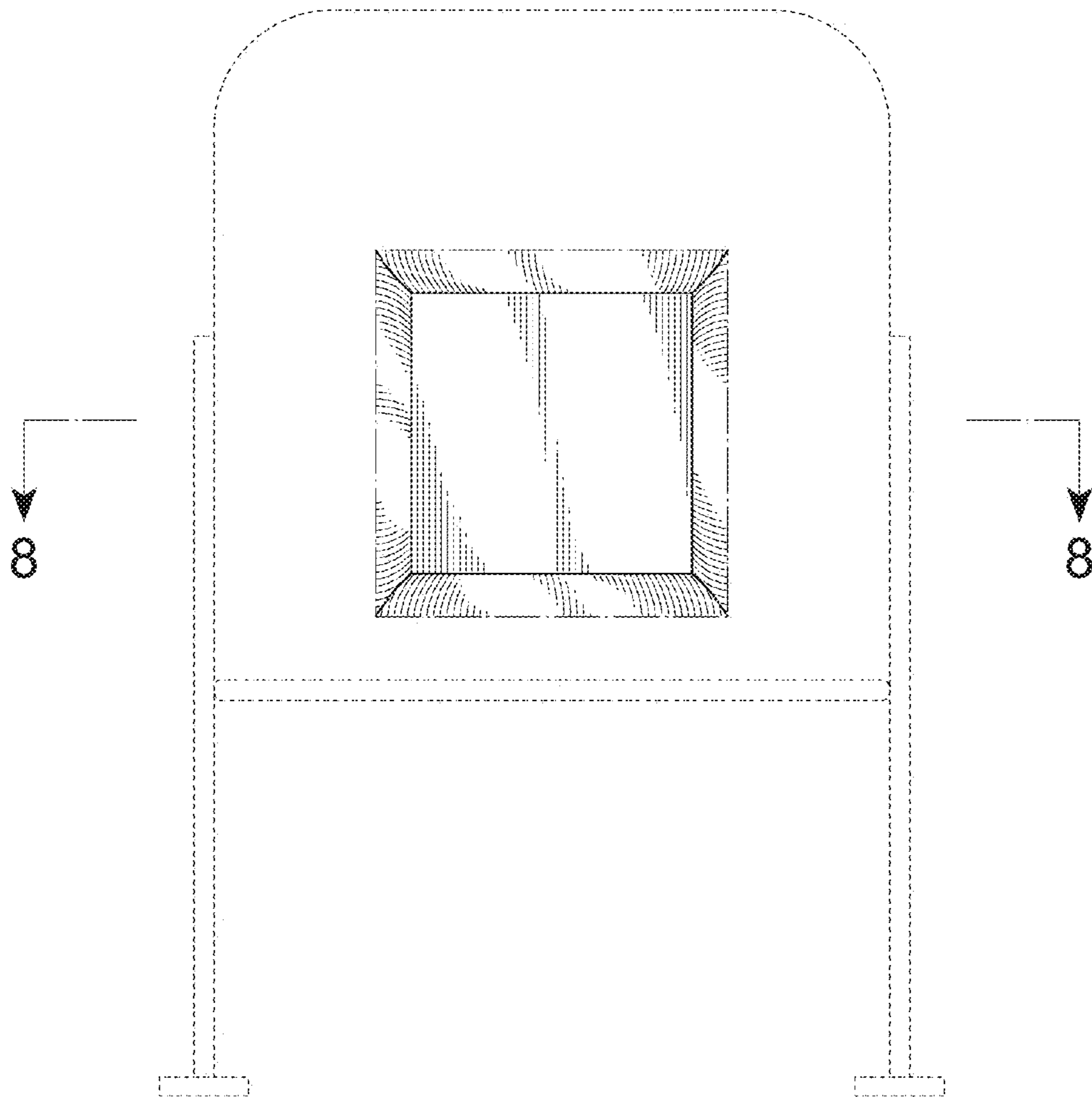


Fig. 1

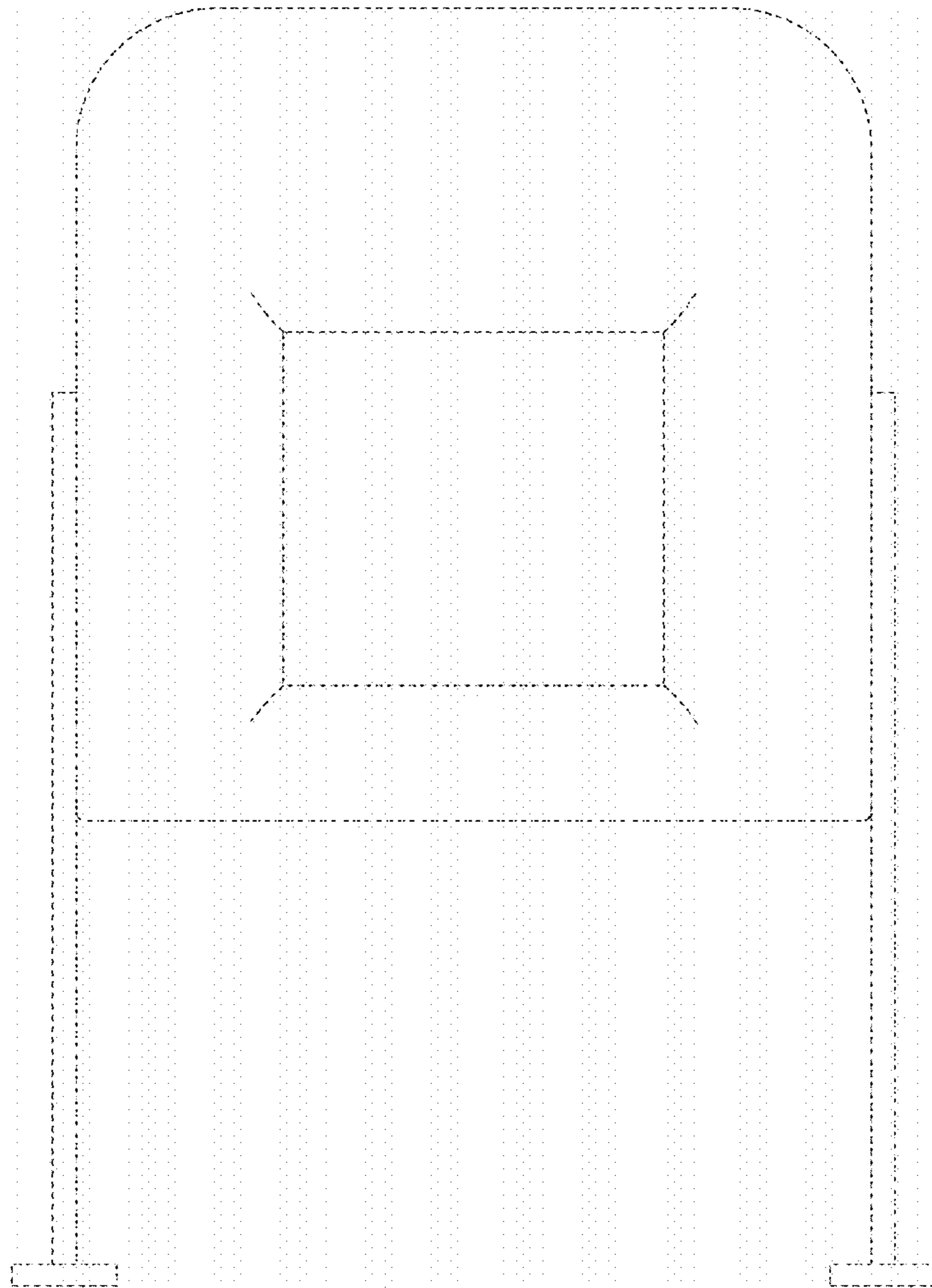


Fig.2

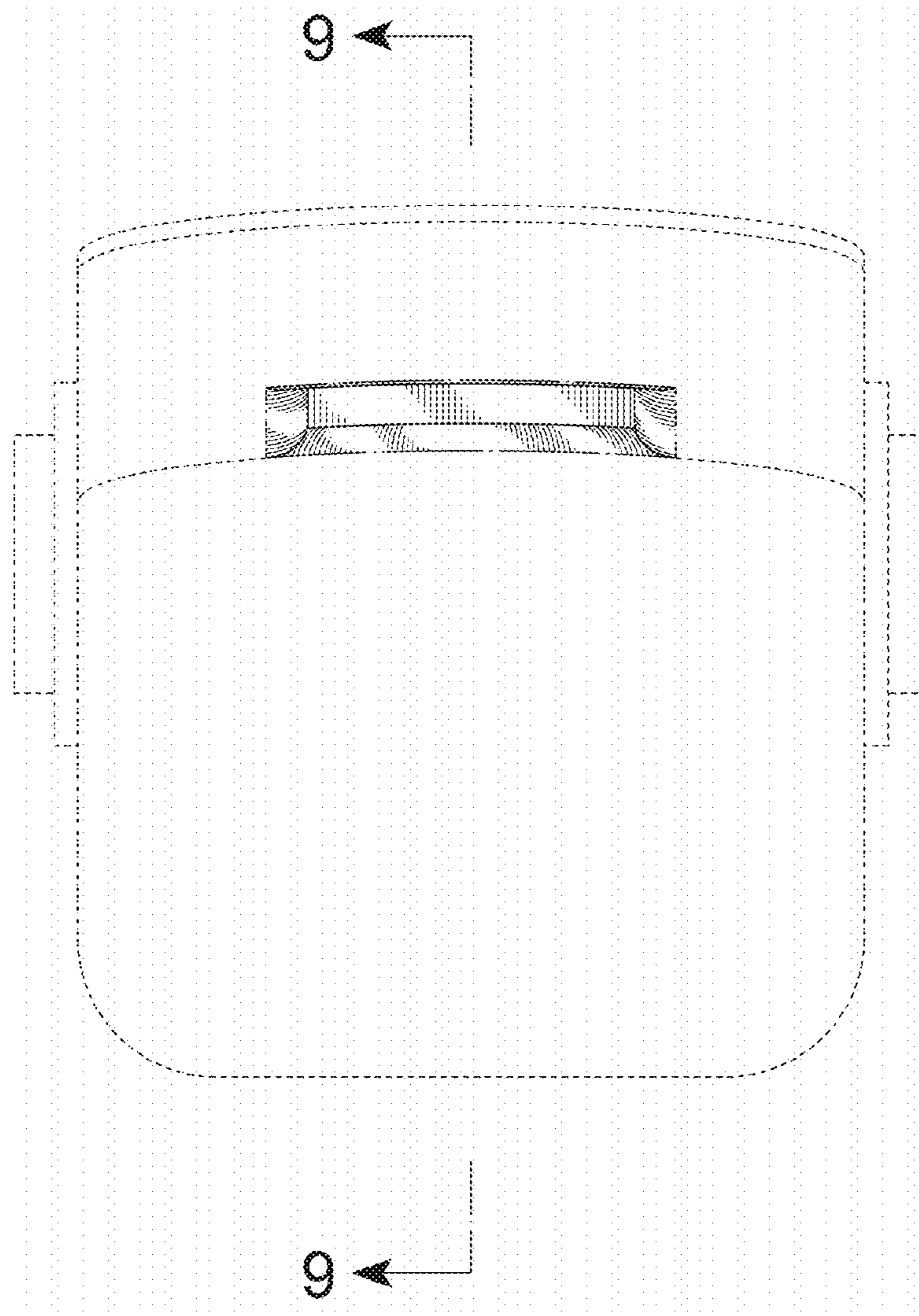


Fig.3

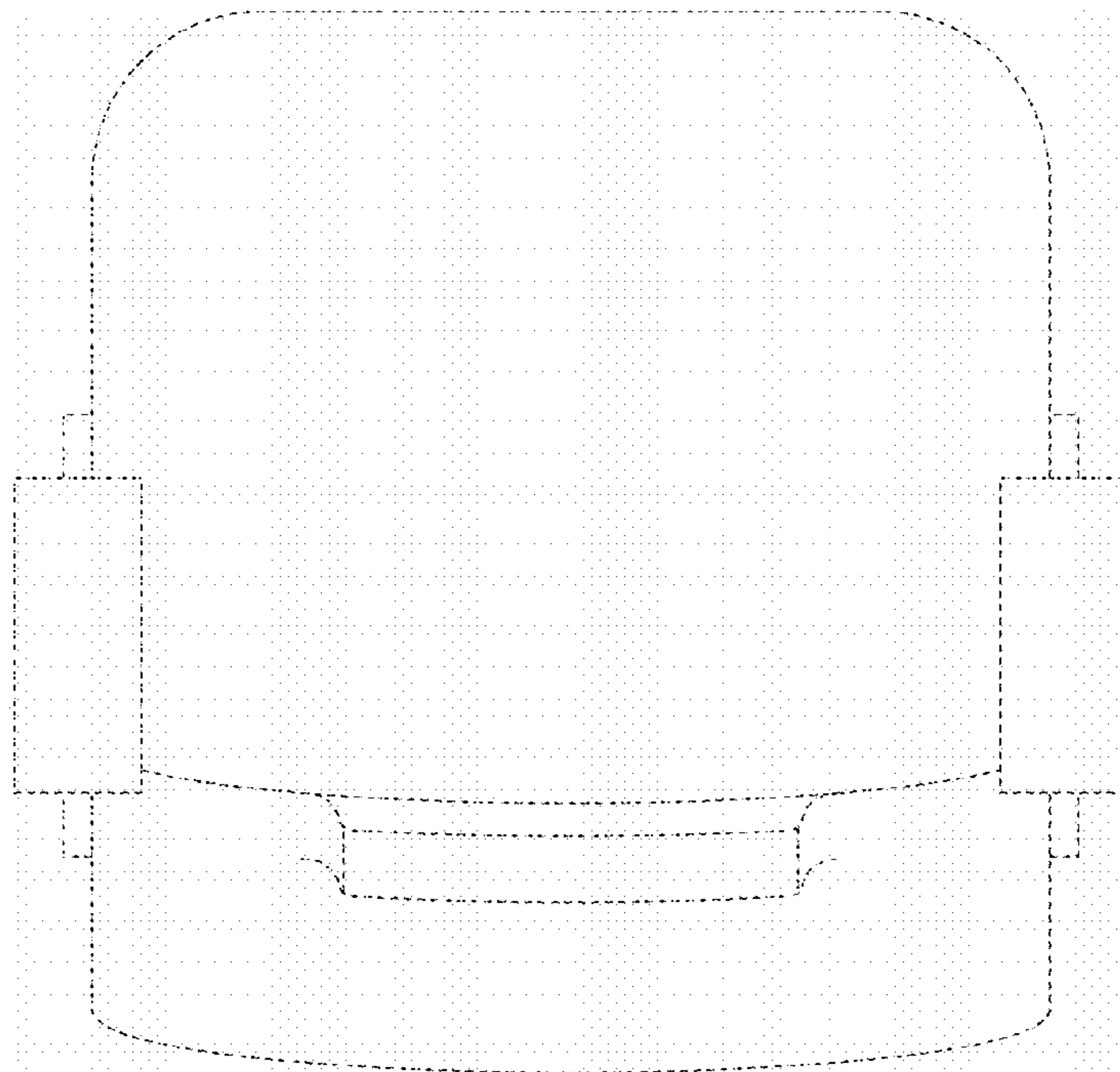


Fig.4

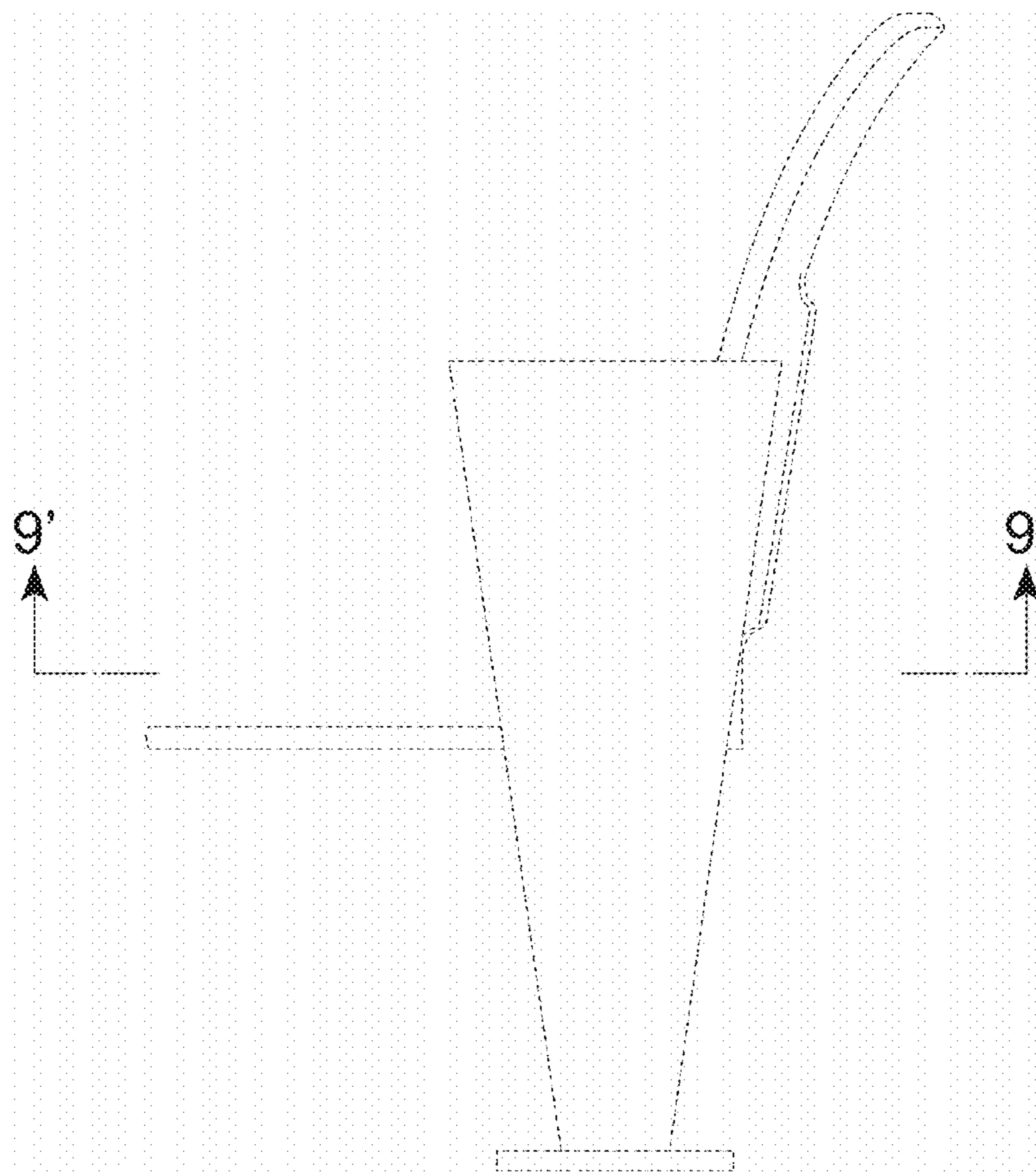


Fig.5

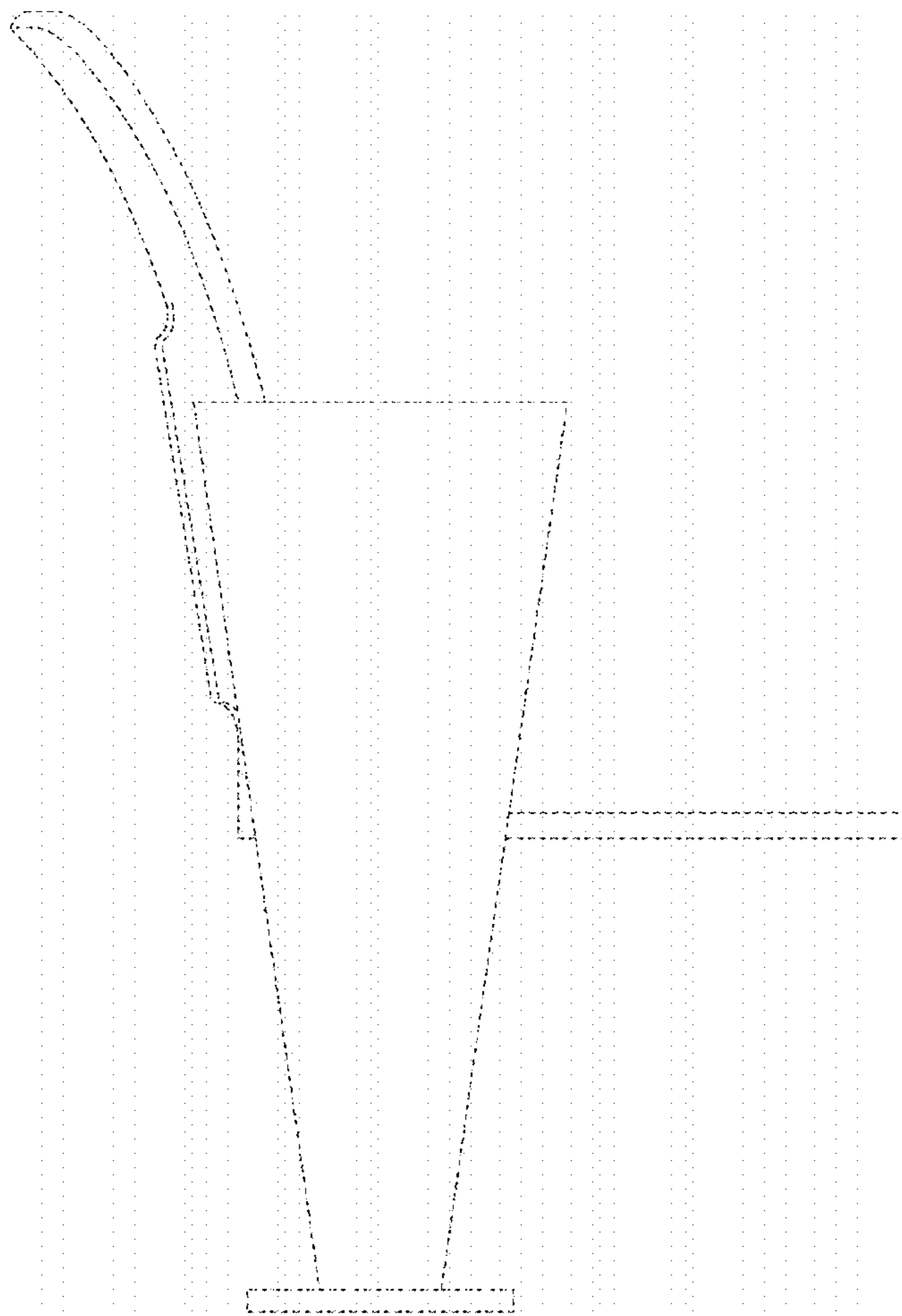


Fig.6

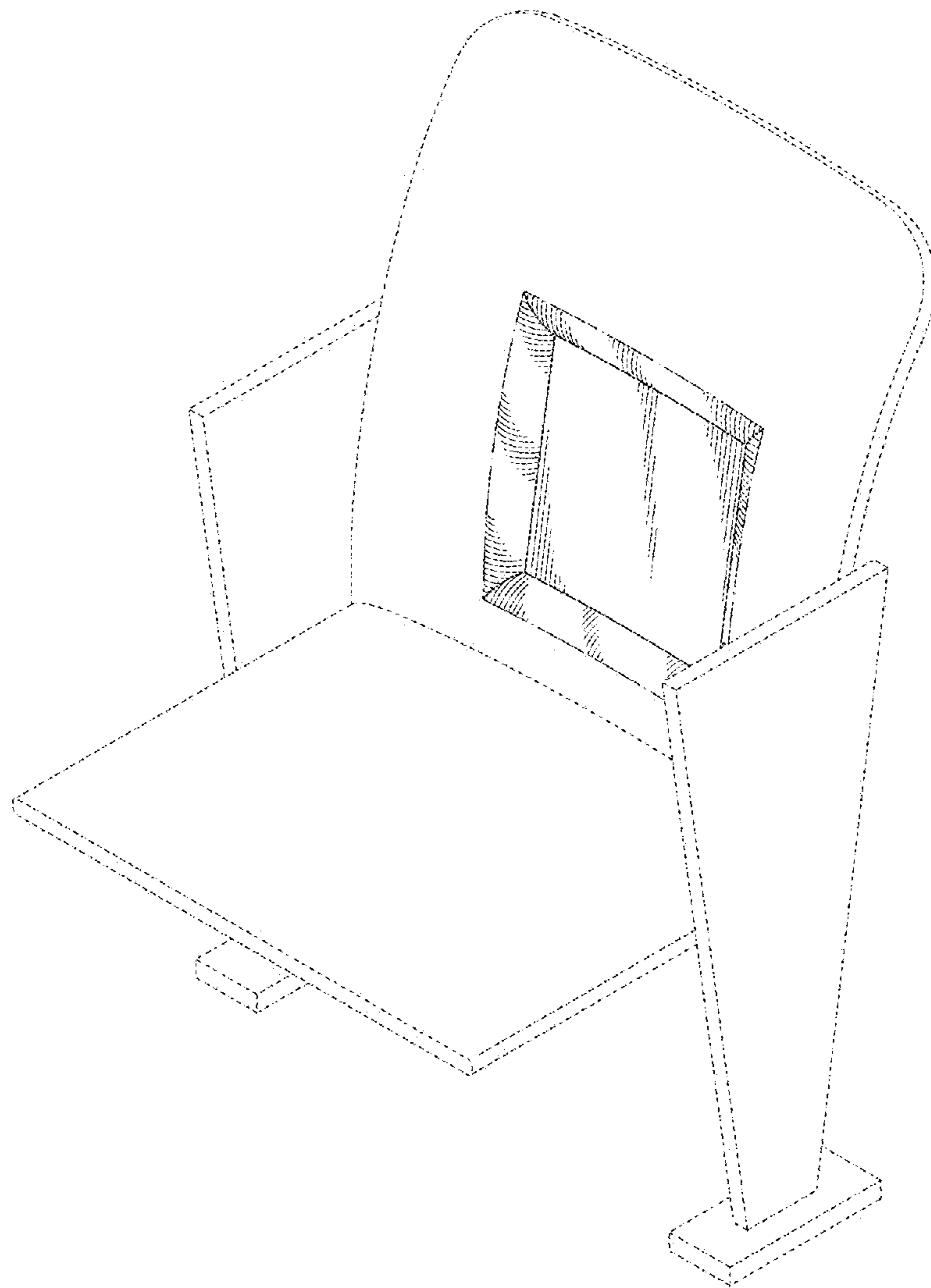
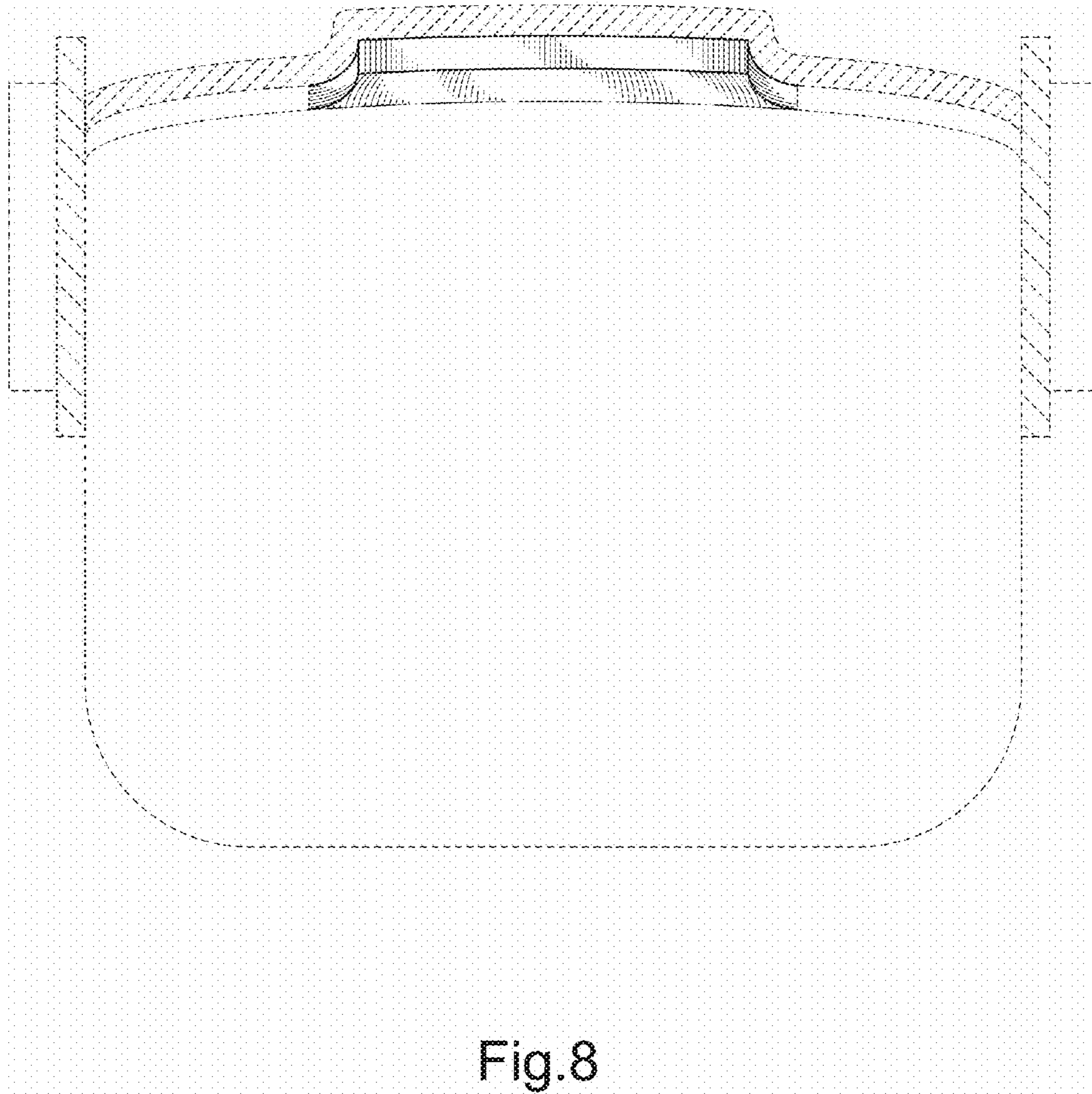


Fig.7



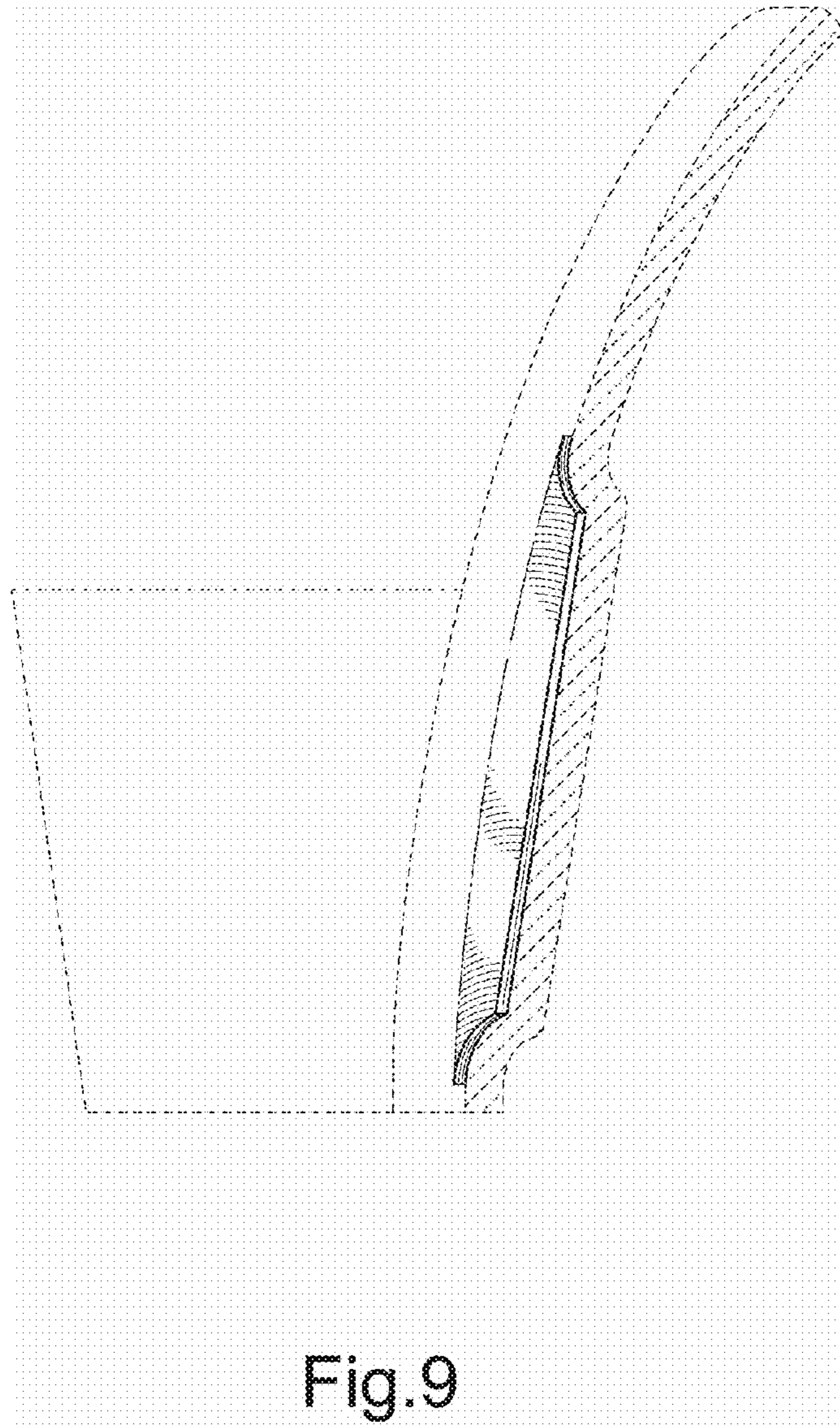


Fig.9