



US00D771425S

(12) **United States Design Patent** (10) **Patent No.:** **US D771,425 S**  
**Kawai** (45) **Date of Patent:** **\*\* Nov. 15, 2016**

(54) **STADIUM SEAT**  
(71) Applicant: **DIC Corporation**, Itabashi-ku, Tokyo (JP)  
(72) Inventor: **Toru Kawai**, Sendai (JP)  
(73) Assignee: **DIC CORPORATION**, Tokyo (JP)  
(\*\*) Term: **14 Years**  
(21) Appl. No.: **29/503,339**  
(22) Filed: **Sep. 25, 2014**

D450,944 S \* 11/2001 Shepard ..... D6/369  
D520,765 S \* 5/2006 Piano ..... D6/368  
D583,597 S \* 12/2008 Egger ..... D6/366  
D604,968 S \* 12/2009 True ..... D6/366  
D646,095 S \* 10/2011 Langbord ..... D6/716.4  
D726,468 S \* 4/2015 McKenna ..... D6/716  
D737,088 S \* 8/2015 Kawai ..... D6/716.4  
2008/0297997 A1 \* 12/2008 Anderson ..... A47C 1/12  
361/679.02  
2013/0134754 A1 \* 5/2013 Alfano ..... B60N 2/643  
297/284.4

(30) **Foreign Application Priority Data**

Mar. 26, 2014 (JP) ..... D2014-006426  
Mar. 26, 2014 (JP) ..... D2014-006428  
Mar. 26, 2014 (JP) ..... D2014-006429  
Mar. 26, 2014 (JP) ..... D2014-006430  
Mar. 26, 2014 (JP) ..... D2014-006431

(51) **LOC (10) Cl.** ..... **06-01**  
(52) **U.S. Cl.**  
USPC ..... **D6/716.4**

(58) **Field of Classification Search**  
USPC ..... D6/719, 707.24, 707.19, 716, 702, 707,  
D6/707.25, 716.4, 502, 611, 610, 596, 601,  
D6/602, 603, 616, 617, 334, 374, 375,  
D6/378; 150/154, 158; 297/452.1, 452.11,  
297/452.12, 452.14, 452.29, 452.31,  
297/452.32, 452.36, 452.38, 452.46,  
297/452.48, 463.2  
CPC .. A47C 1/024; A47C 1/032; A47C 1/03255;  
A47C 1/035; A47C 1/16; A47C 1/12; A47C  
1/121; A47C 1/124; A47C 4/28; A47C 4/30;  
A47C 7/00; A47C 7/42; A47C 7/44; A47C  
7/56; A47C 7/563; A47C 7/566; A47C 7/40;  
A47C 7/004; A47C 7/36; A47C 27/00;  
A47C 31/02  
See application file for complete search history.

(56) **References Cited**

**U.S. PATENT DOCUMENTS**

D172,218 S \* 5/1954 Burst ..... D6/374  
3,137,527 A \* 6/1964 Hoven ..... A47C 1/121  
297/331  
4,871,209 A \* 10/1989 Handelman ..... A47C 3/16  
297/378.1  
D426,967 S \* 6/2000 King ..... D6/368

\* cited by examiner

*Primary Examiner* — Rosemary K Tarca  
*Assistant Examiner* — Christy Nemeth  
(74) *Attorney, Agent, or Firm* — Leydig, Voit & Mayer

(57) **CLAIM**

The ornamental design for a stadium seat, as shown and described.

**DESCRIPTION**

FIG. 1 is a front view of a stadium seat of the present invention.  
FIG. 2 is a rear view of the stadium seat of FIG. 1.  
FIG. 3 is a top plan view of the stadium seat of FIG. 1.  
FIG. 4 is a bottom view of the stadium seat of FIG. 1.  
FIG. 5 is a right side view of the stadium seat of FIG. 1.  
FIG. 6 is a left side view of the stadium seat of FIG. 1.  
FIG. 7 is a front perspective view of the stadium seat of FIG. 1.  
FIG. 8 is an enlarged sectional view in the direction indicated by the arrows 8-8 of the stadium seat of FIG. 1.  
FIG. 9 is an enlarged sectional view of the 9'-9' portion in the direction by the arrows 9-9 of the stadium seat of FIG. 3.  
FIG. 10 is a front view of a second embodiment of the stadium seat of the present invention.  
FIG. 11 is a rear view of the stadium seat of FIG. 10.  
FIG. 12 is a top plan view of the stadium seat of FIG. 10.  
FIG. 13 is a bottom view of the stadium seat of FIG. 10.  
FIG. 14 is a right side view of the stadium seat of FIG. 10.  
FIG. 15 is a left side view of the stadium seat of FIG. 10.  
FIG. 16 is a front perspective view of the stadium seat of FIG. 10.

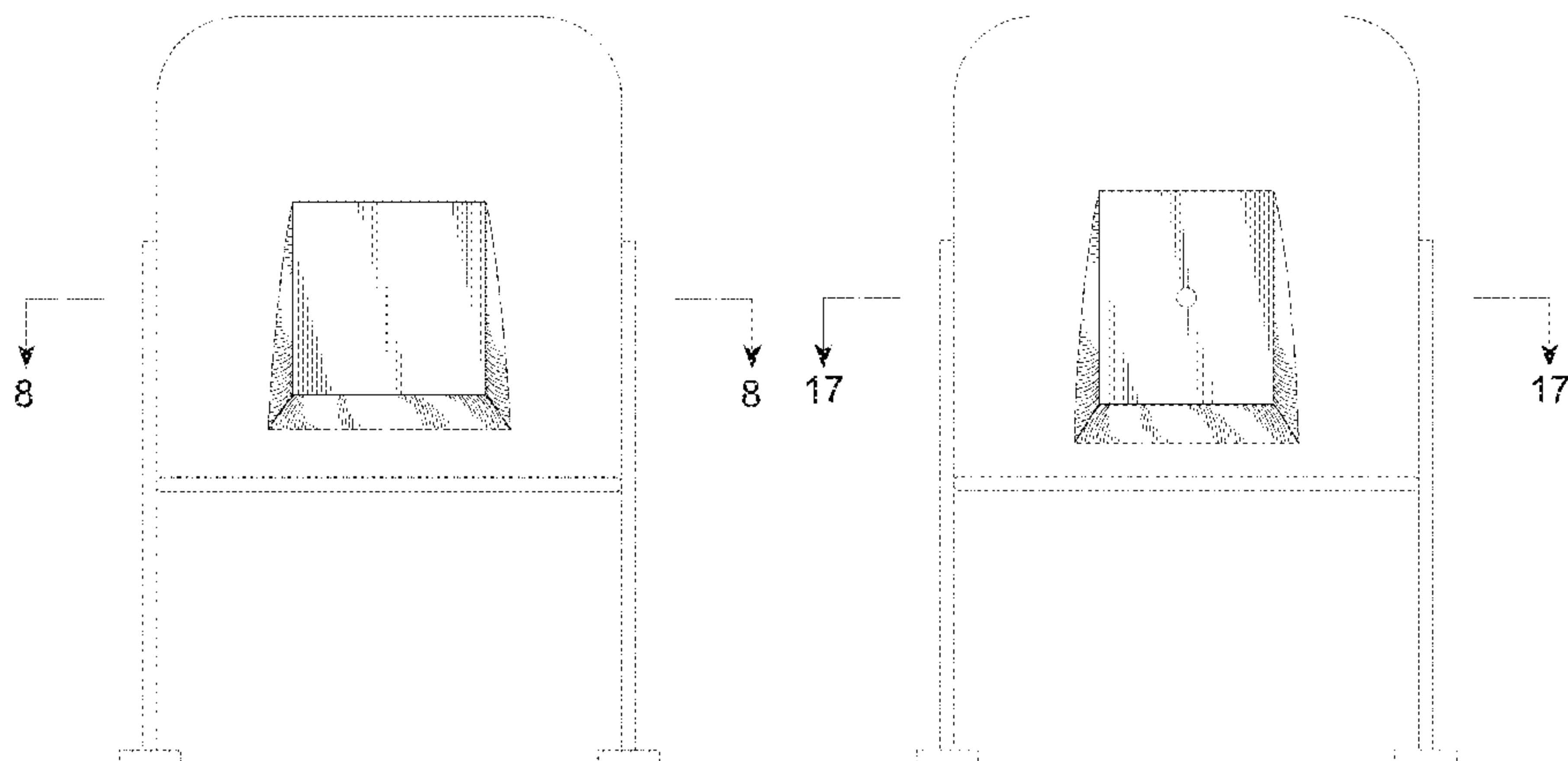


FIG. 17 is an enlarged sectional view in the direction indicated by the arrows 17-17 of the stadium seat of FIG. 10. FIG. 18 is an enlarged sectional view of the 18'-18' position in the direction by the arrows 18-18 of the stadium seat of FIG. 12.

FIG. 19 is a front view of a third embodiment of the stadium seat of the present invention.

FIG. 20 is a rear view of the stadium seat of FIG. 19.

FIG. 21 is a top plan view of the stadium seat of FIG. 19.

FIG. 22 is a bottom view of the stadium seat of FIG. 19.

FIG. 23 is a right side view of the stadium seat of FIG. 19.

FIG. 24 is a left side view of the stadium seat of FIG. 19.

FIG. 25 is a front perspective view of the stadium seat of FIG. 19.

FIG. 26 is an enlarged sectional view in the direction indicated by the arrows 26-26 of the stadium seat of FIG. 19.

FIG. 27 is an enlarged sectional view of the 27'-27' portion in the direction by the arrows 27-27 of the stadium seat of FIG. 21.

FIG. 28 is a front view of a fourth embodiment of the stadium seat of the present invention.

FIG. 29 is a rear view of the stadium seat of FIG. 28.

FIG. 30 is a top plan view of the stadium seat of FIG. 28.

FIG. 31 is a bottom view of the stadium seat of FIG. 28.

FIG. 32 is a right side view of the stadium seat of FIG. 28.

FIG. 33 is a left side view of the stadium seat of FIG. 28.

FIG. 34 is a front perspective view of the stadium seat of FIG. 28.

FIG. 35 is an enlarged sectional view in the direction indicated by the arrows 35-35 of the stadium seat of FIG. 28.

FIG. 36 is an enlarged sectional view of the 36'-36' portion in the direction by the arrows 36-36 of the stadium seat of FIG. 30.

FIG. 37 is a front view of a fifth embodiment of the stadium seat of the present invention.

FIG. 38 is a rear view of the stadium seat of FIG. 37.

FIG. 39 is a top plan view of the stadium seat of FIG. 37.

FIG. 40 is a bottom view of the stadium seat of FIG. 37.

FIG. 41 is a right side view of the stadium seat of FIG. 37.

FIG. 42 is a left side view of the stadium seat of FIG. 37.

FIG. 43 is a front perspective view of the stadium seat of FIG. 37.

FIG. 44 is an enlarged sectional view in the direction indicated by the arrows 44-44 of the stadium seat of FIG. 37; and,

FIG. 45 is an enlarged sectional view of the 45'-45' portion in the direction by the arrows 45-45 of the stadium seat of FIG. 39.

The features shown in dotted lines depict environmental subject matter only and form not part of the claimed design. The broken lines having alternating long and short segments define bounds of the claimed design and form no part thereof.

**1 Claim, 45 Drawing Sheets**

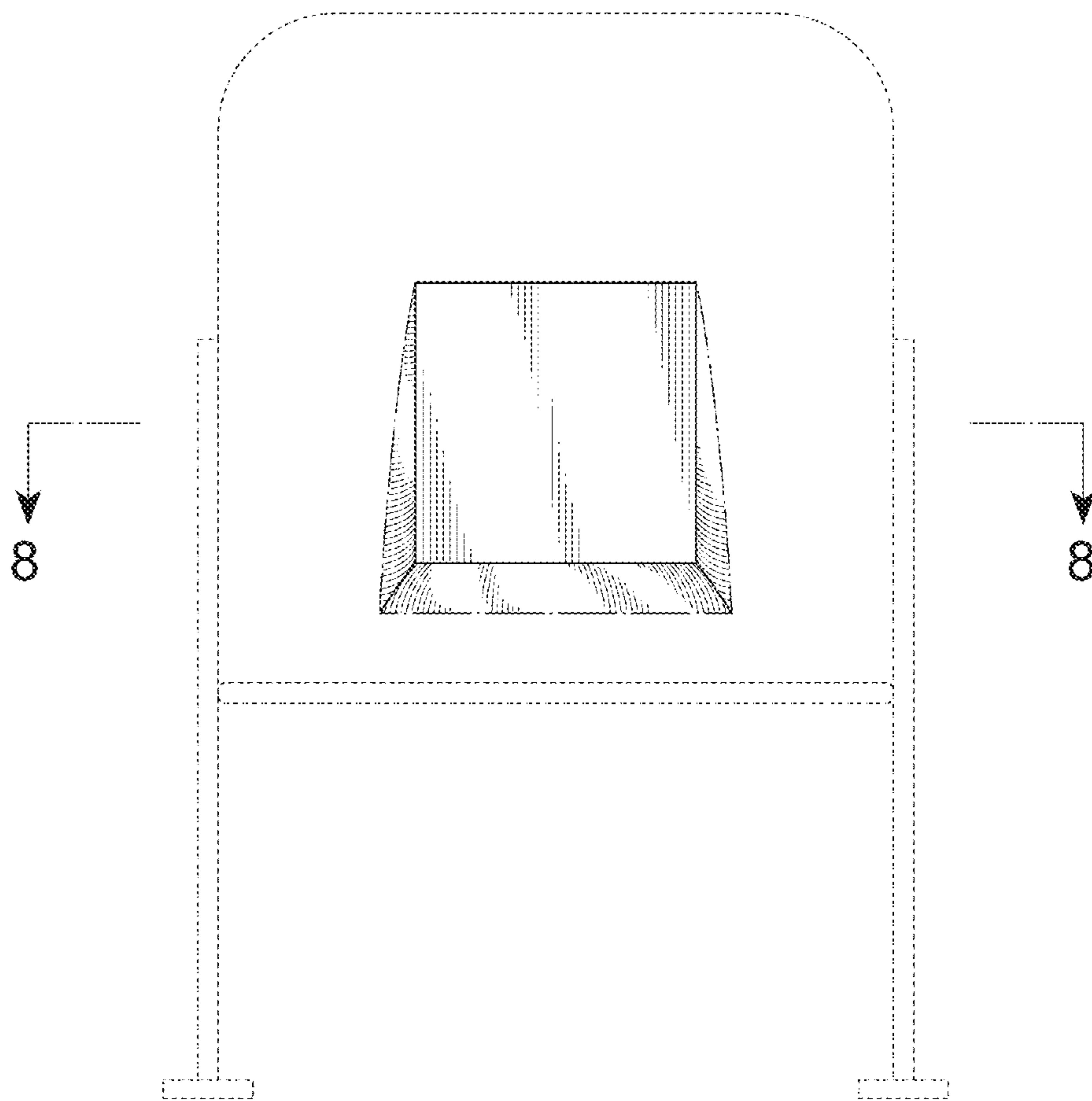


Fig.1

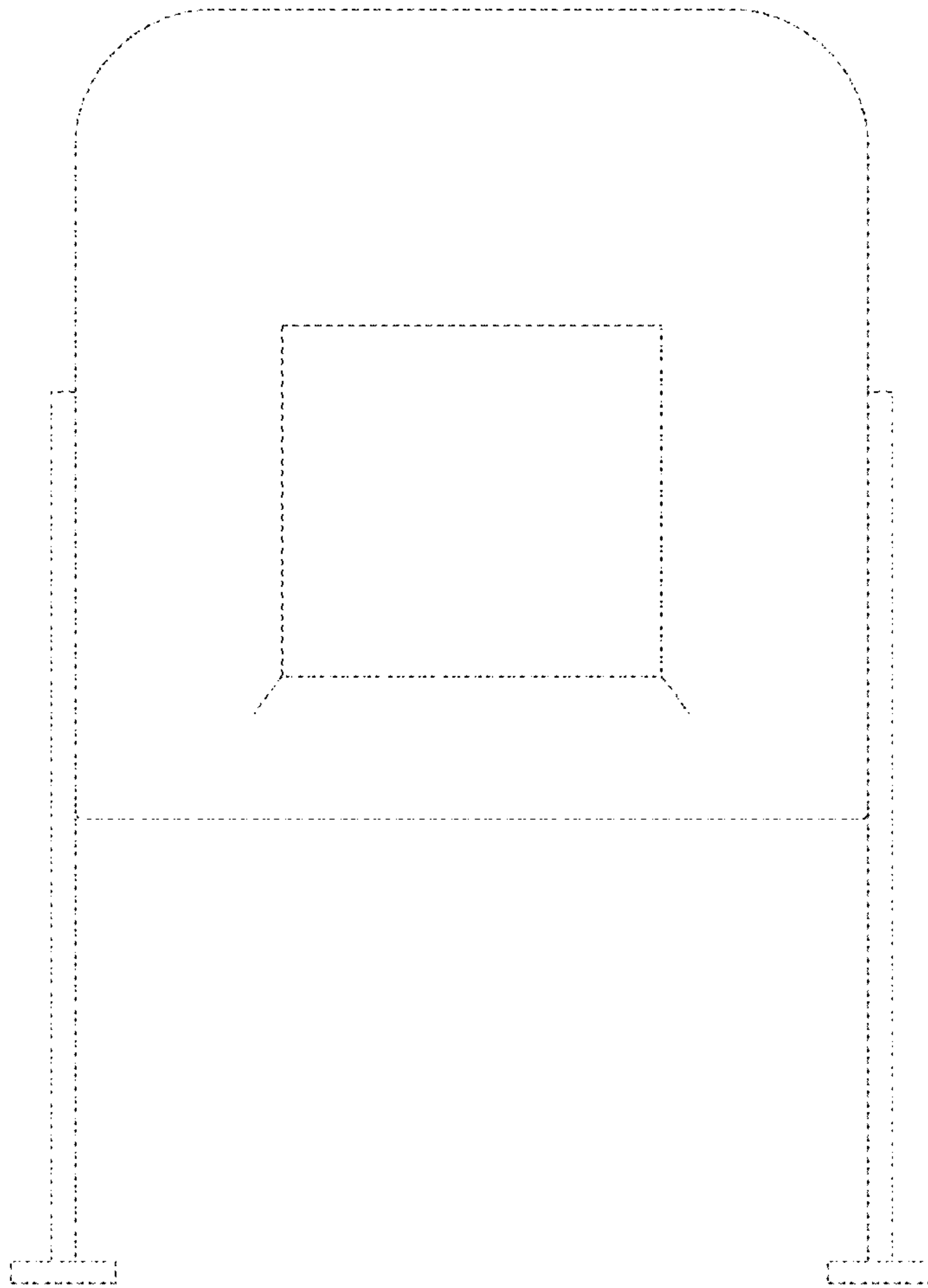


Fig.2

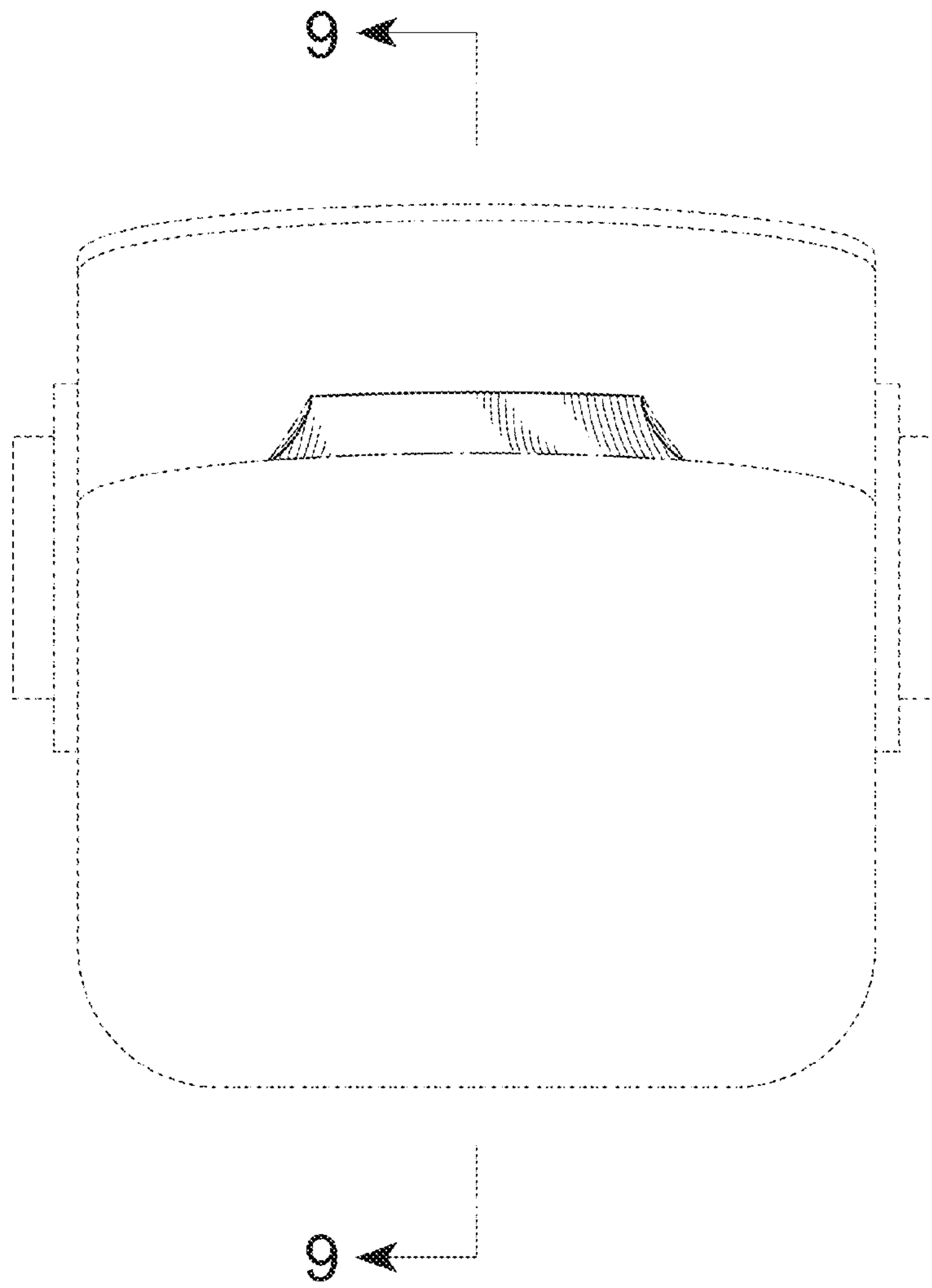


Fig.3

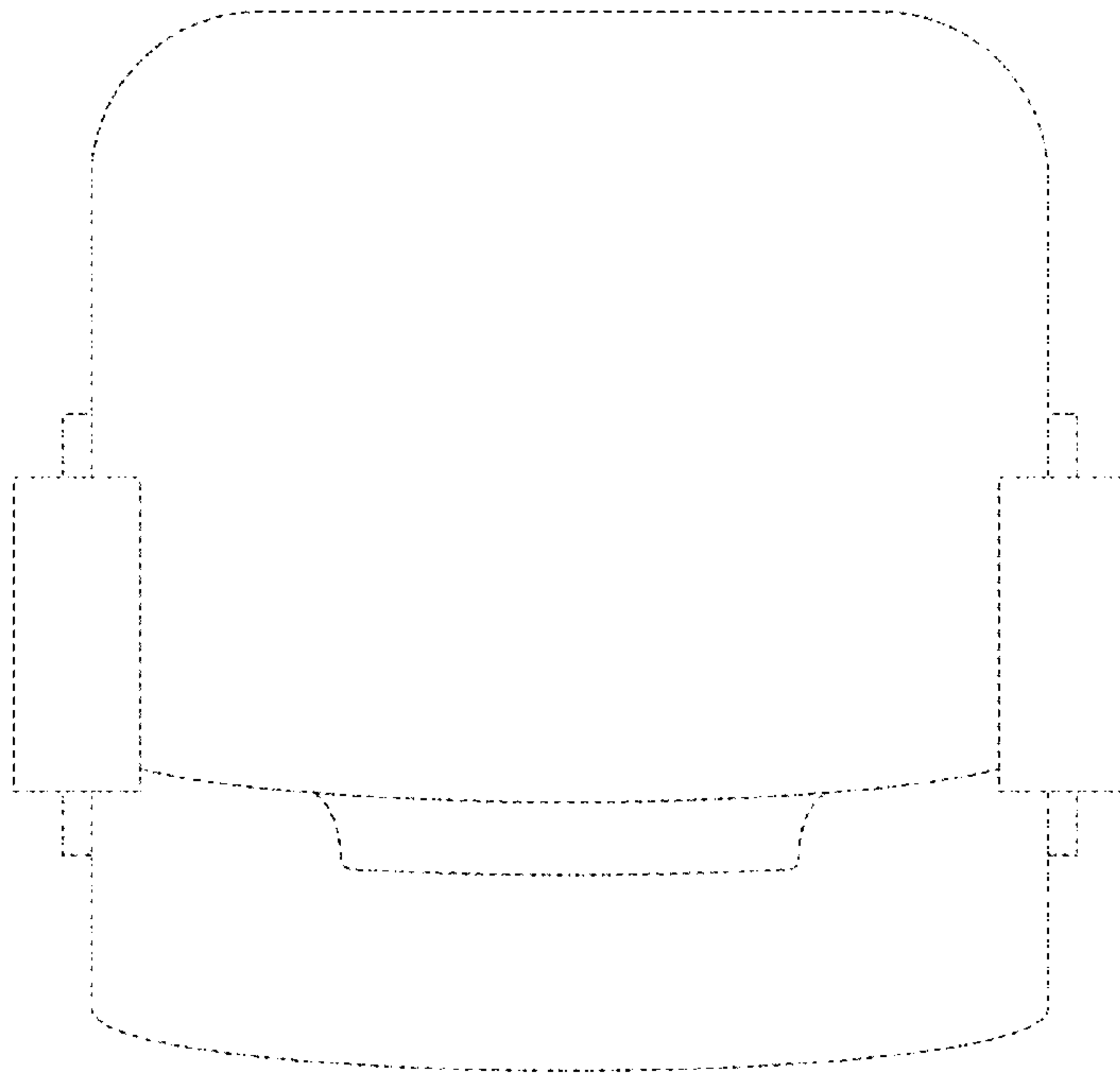


Fig.4



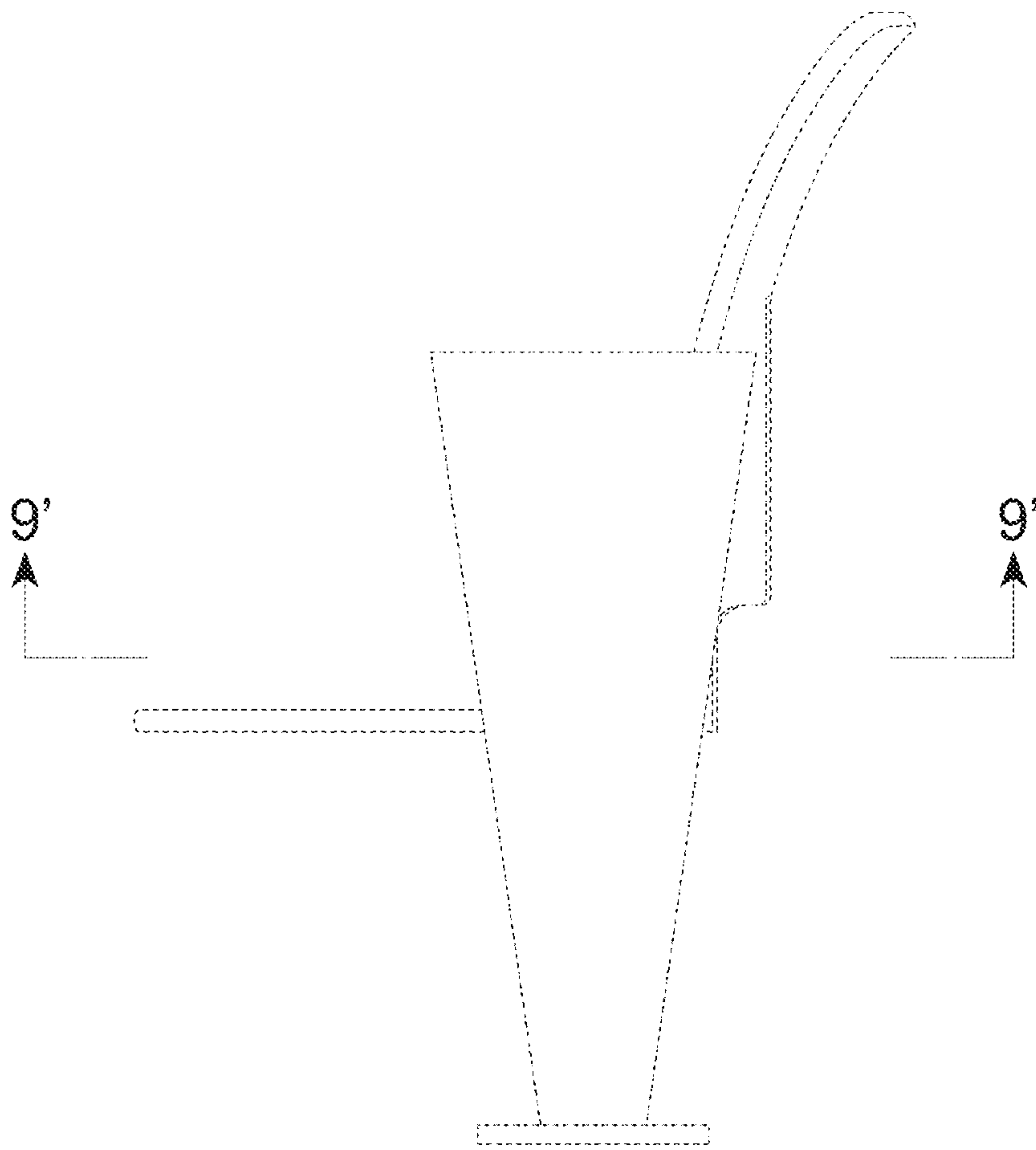


Fig.5

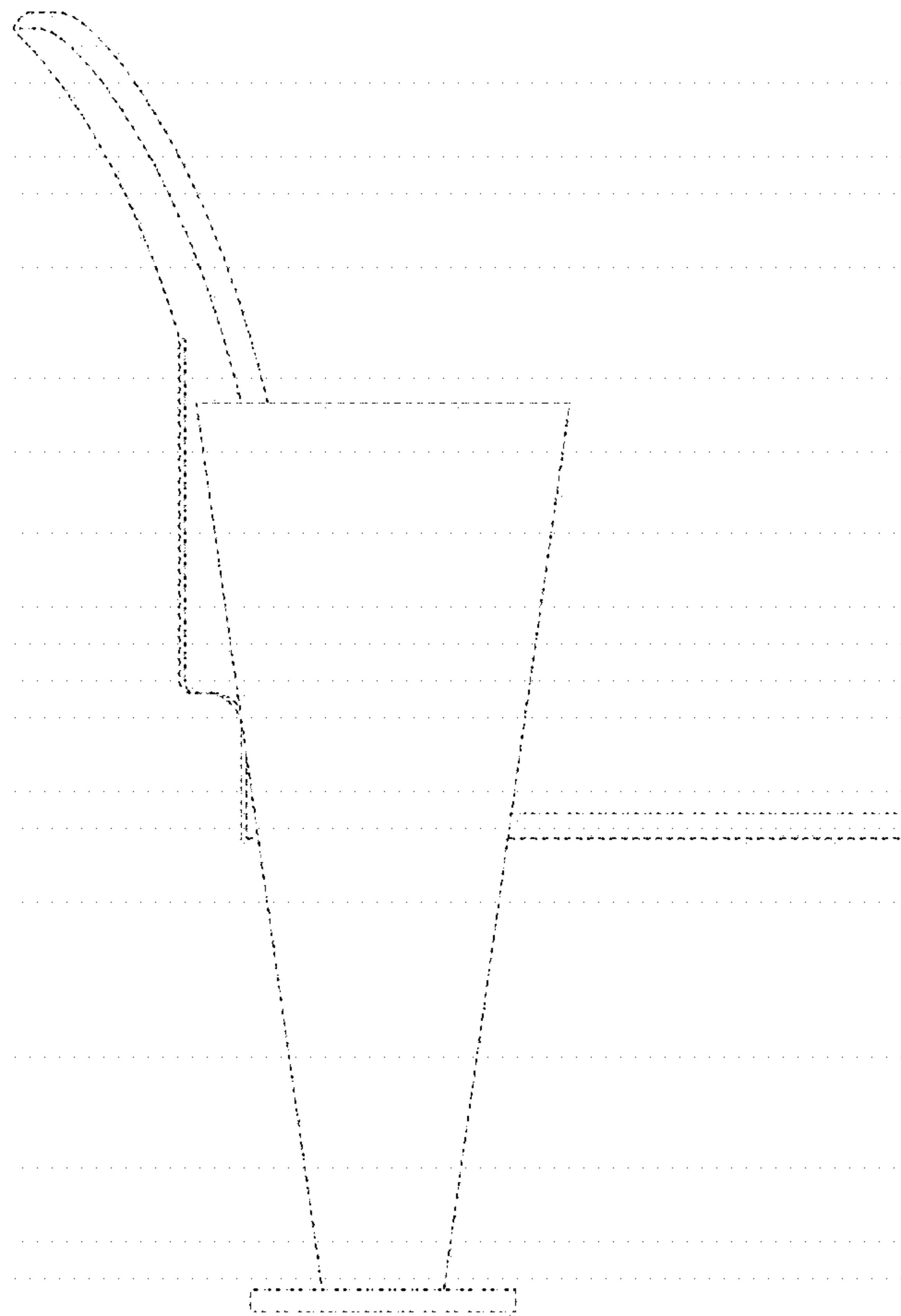


Fig.6



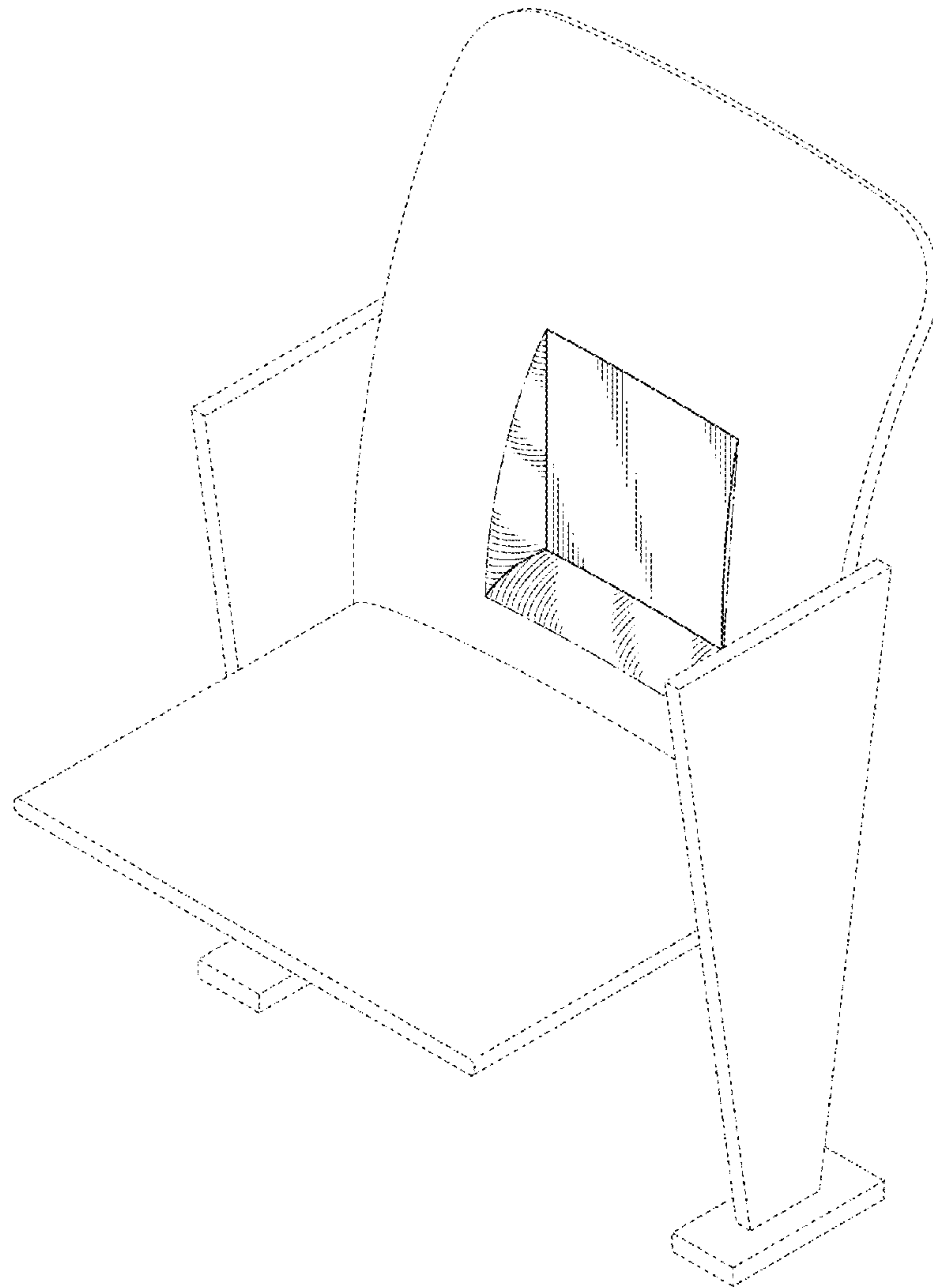


Fig.7

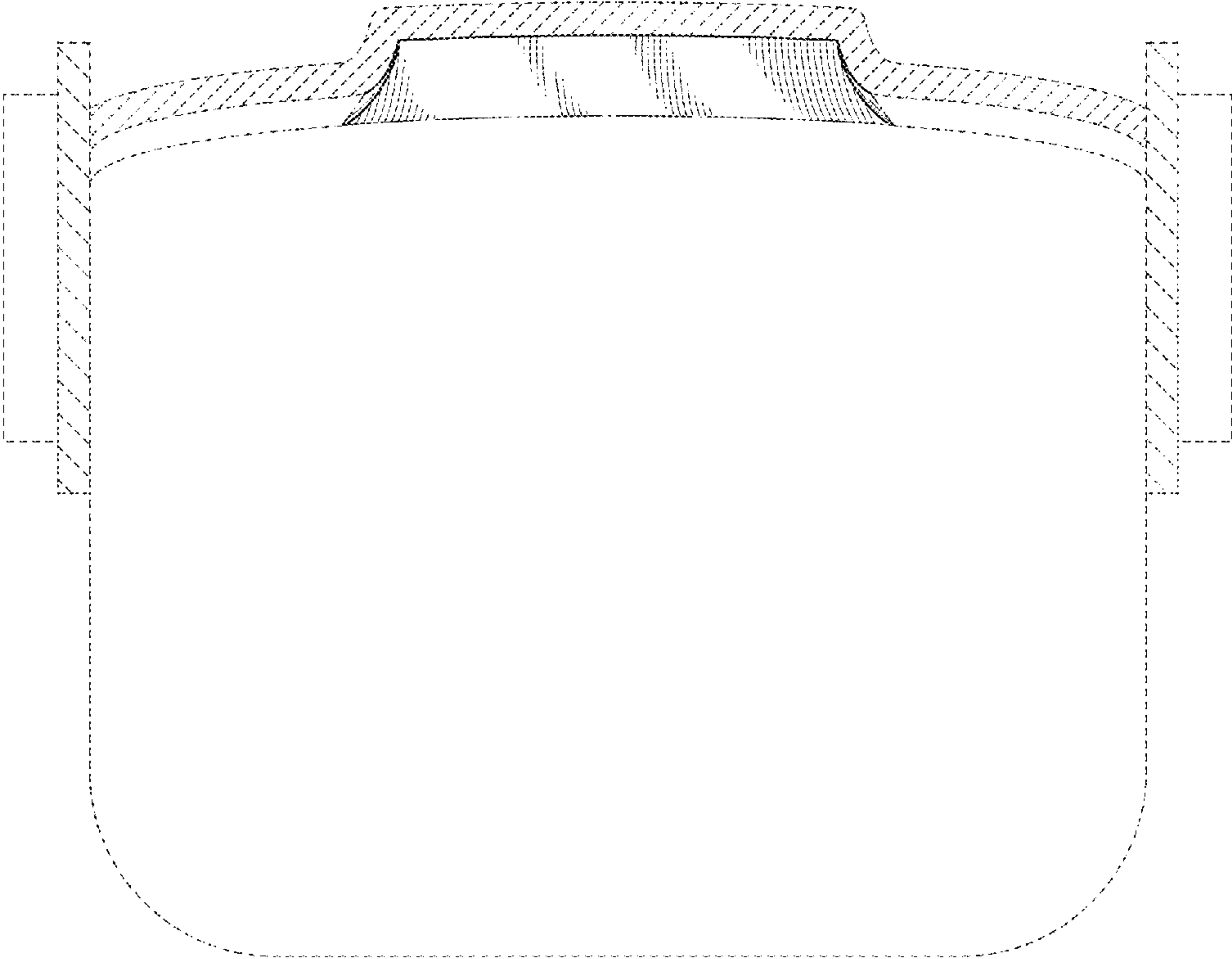


Fig.8

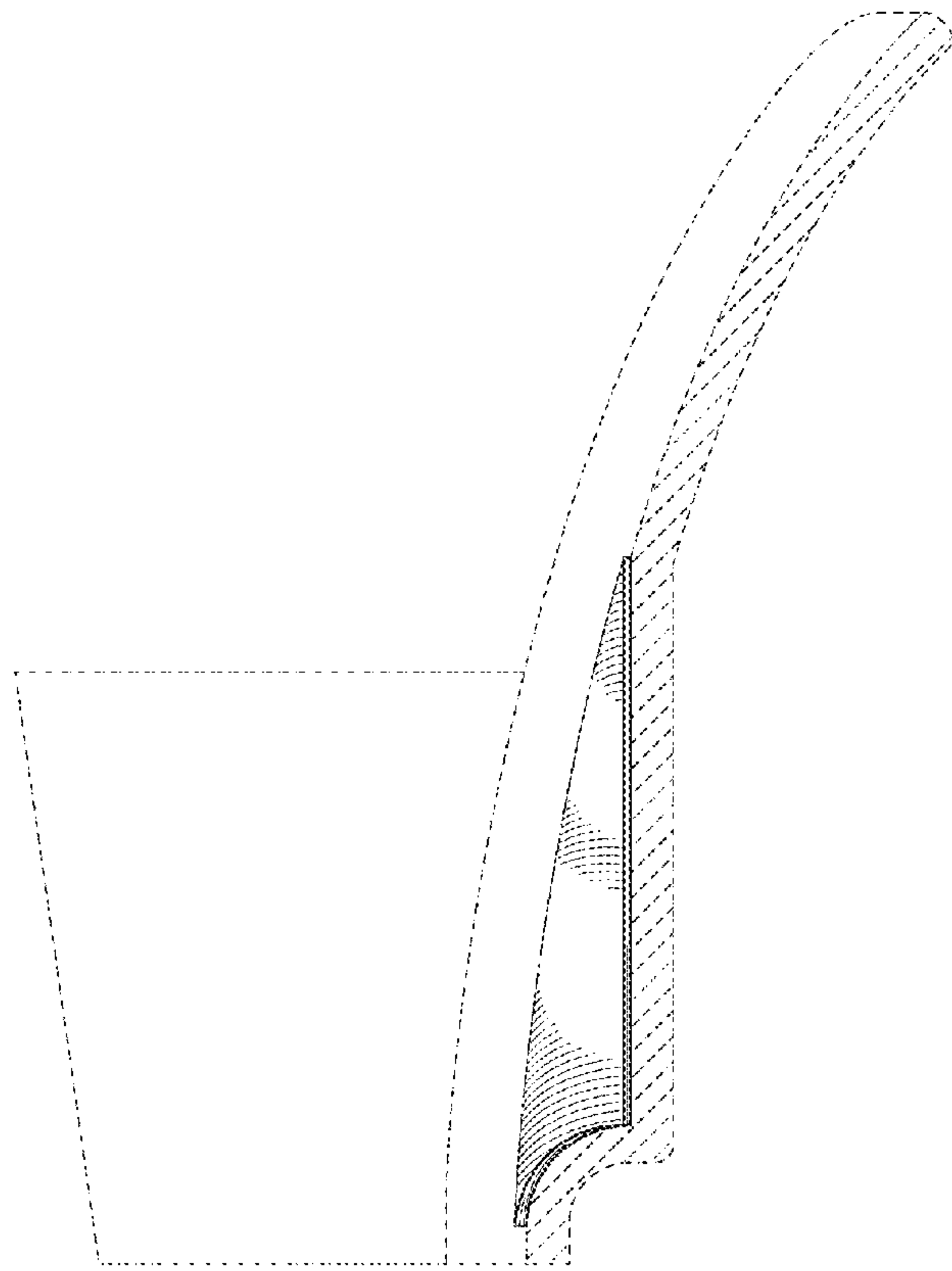


Fig.9

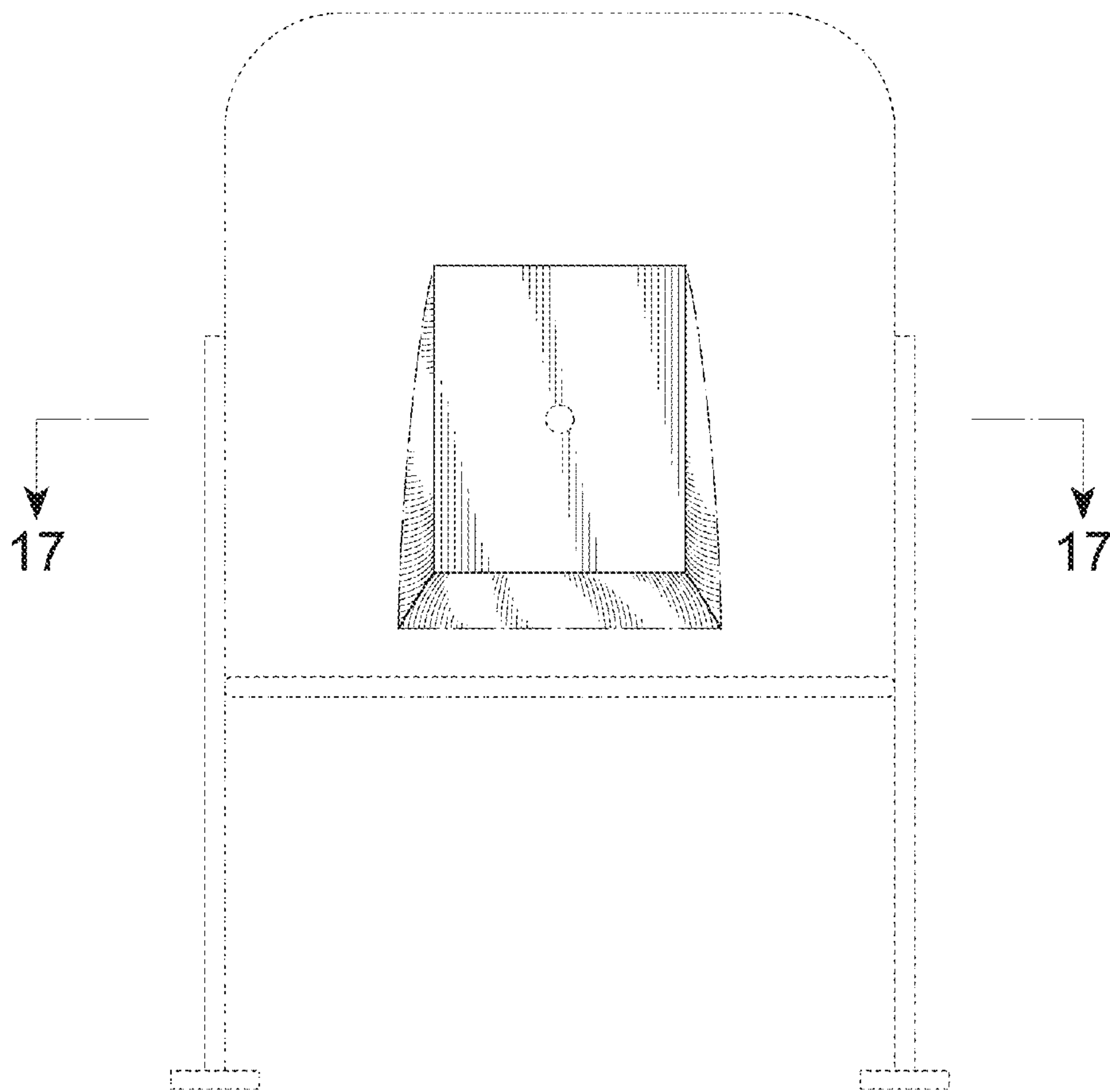


Fig.10

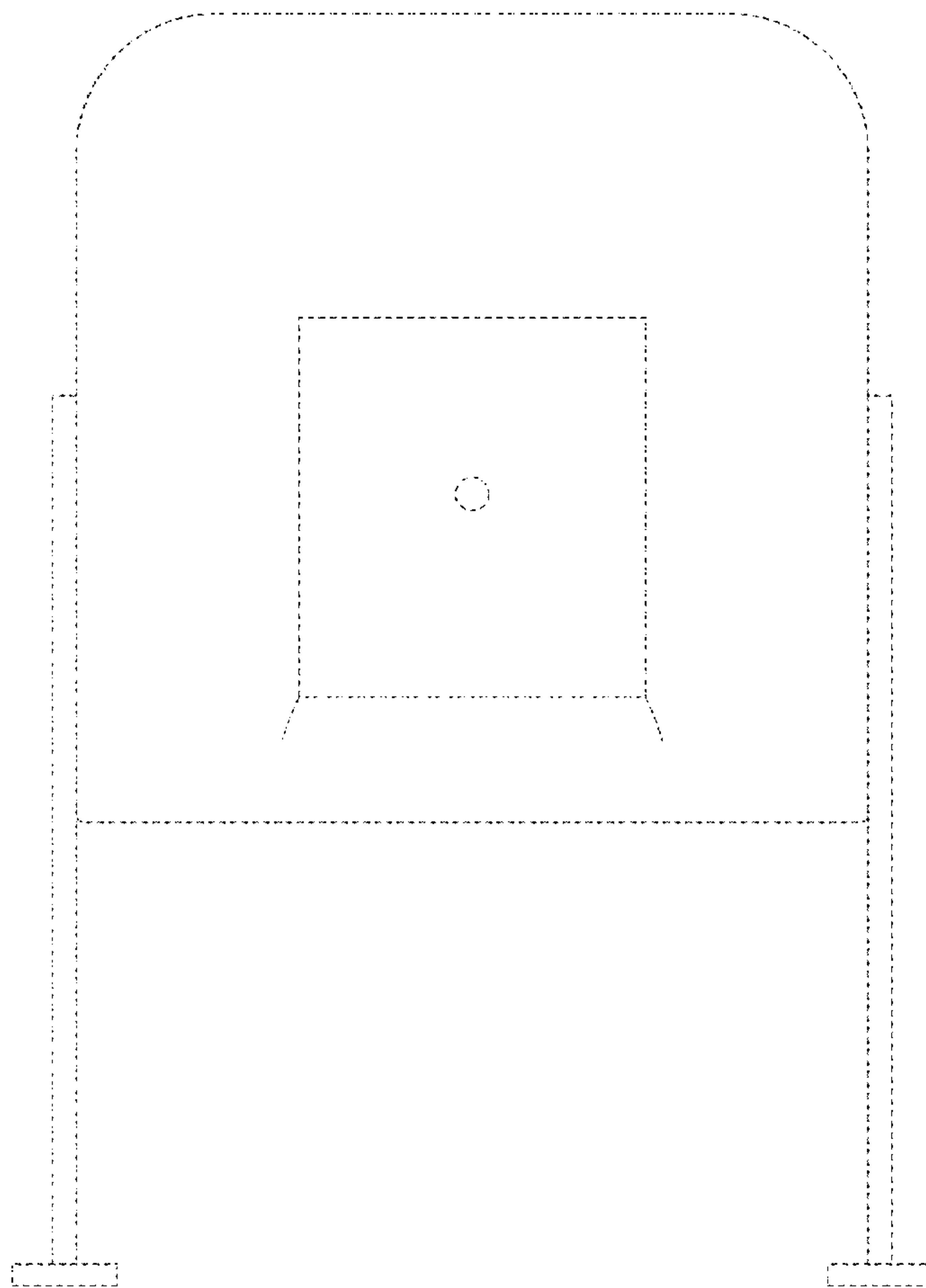


Fig.11

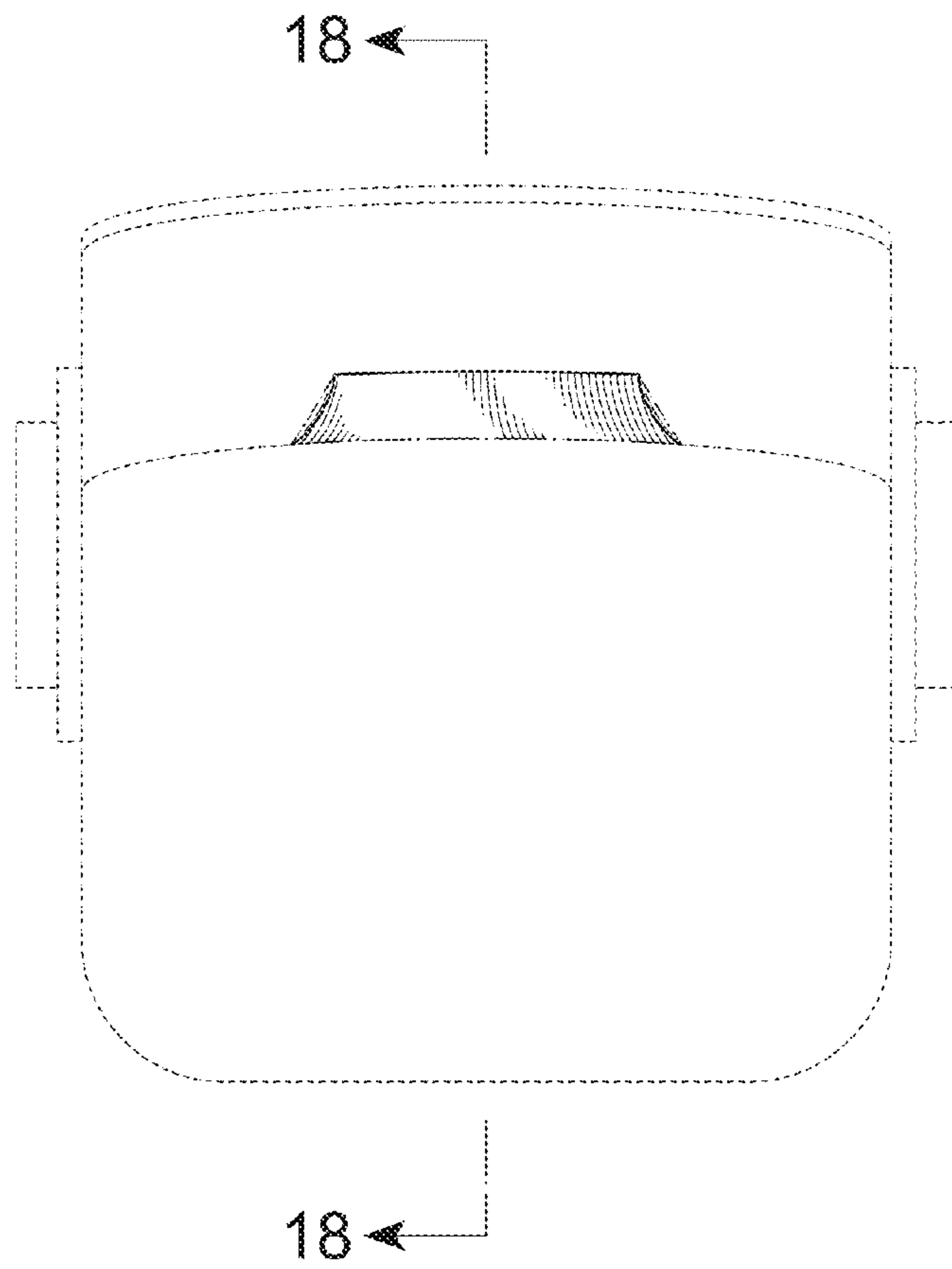


Fig.12

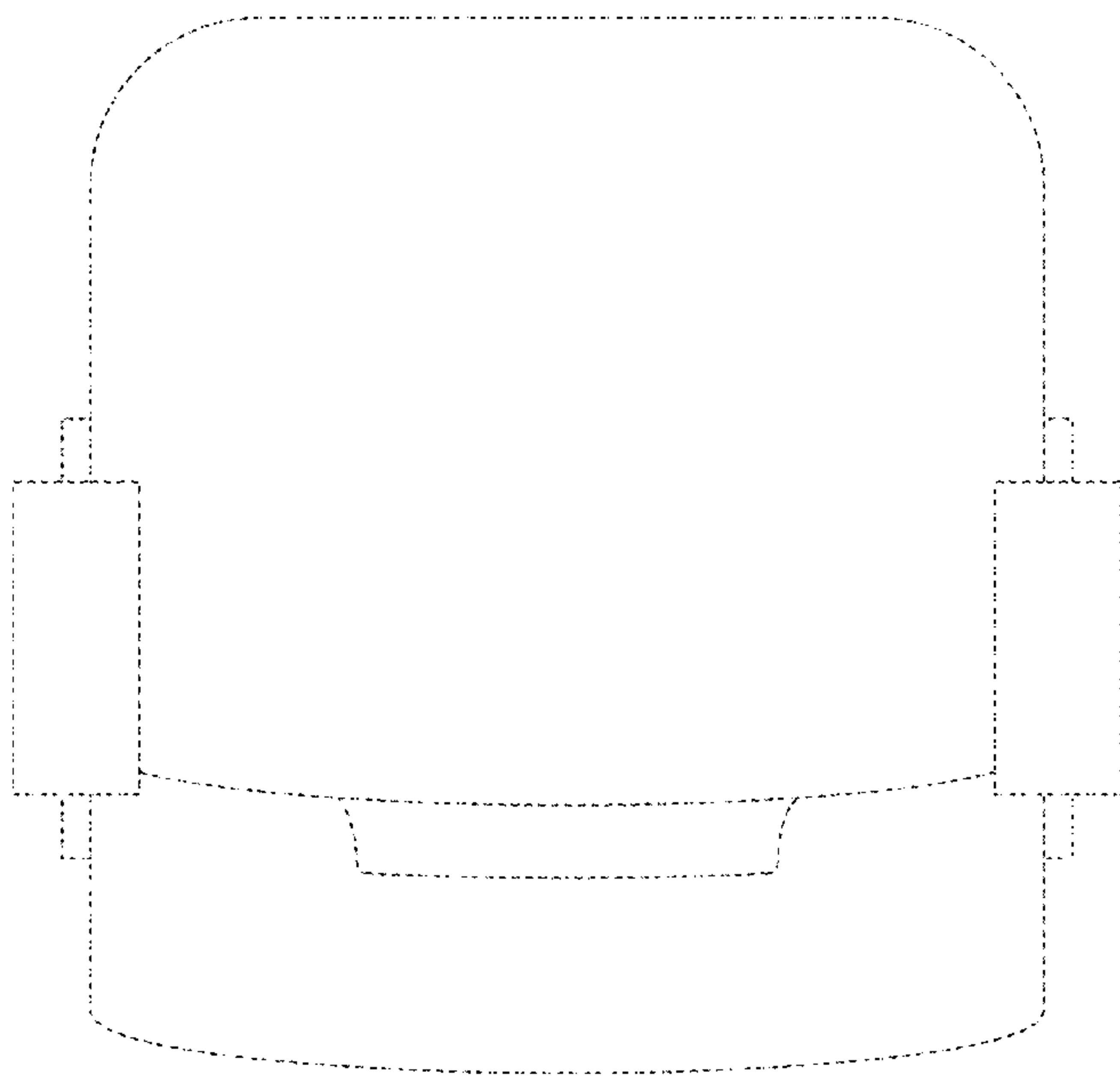


Fig.13



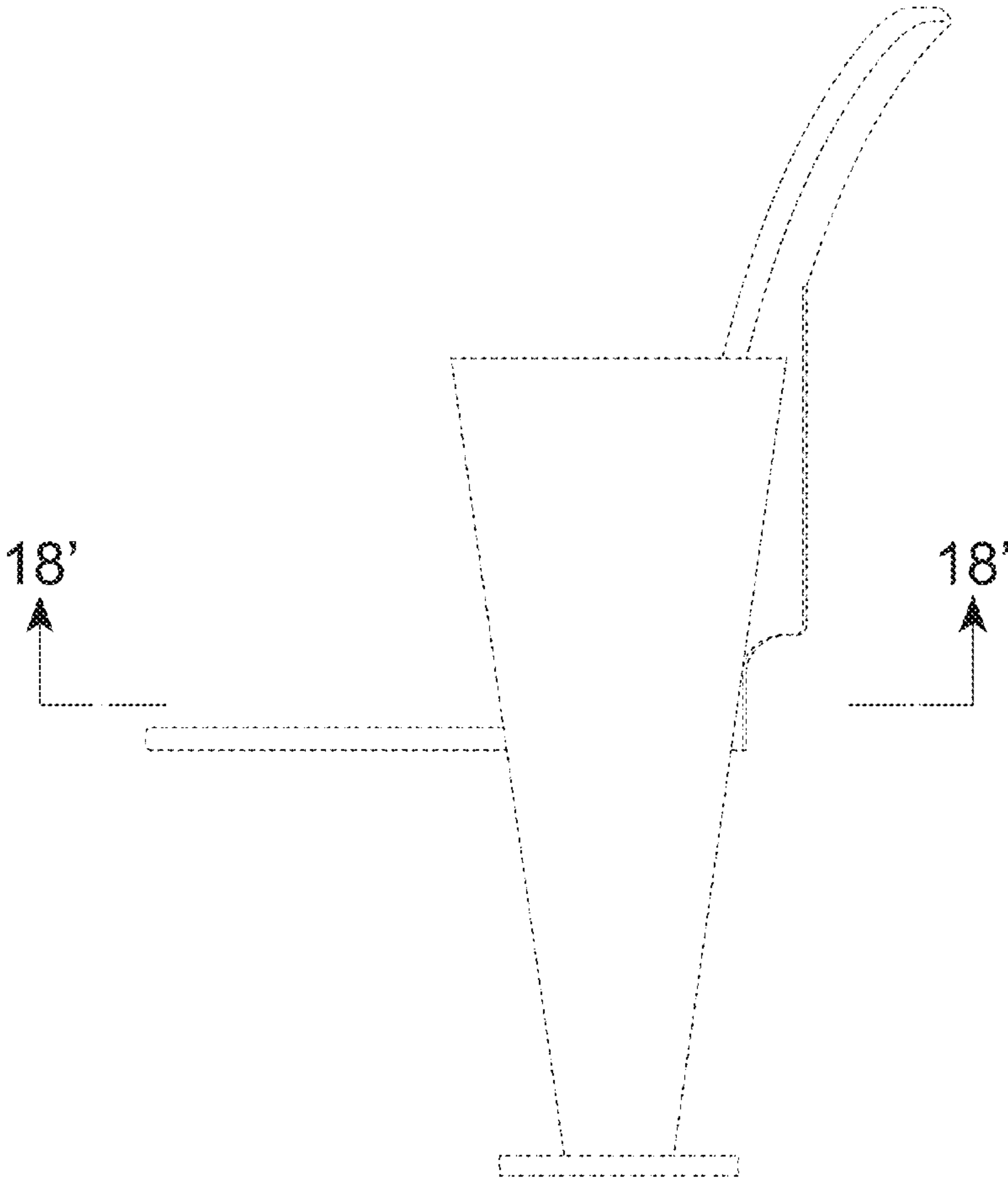


Fig.14

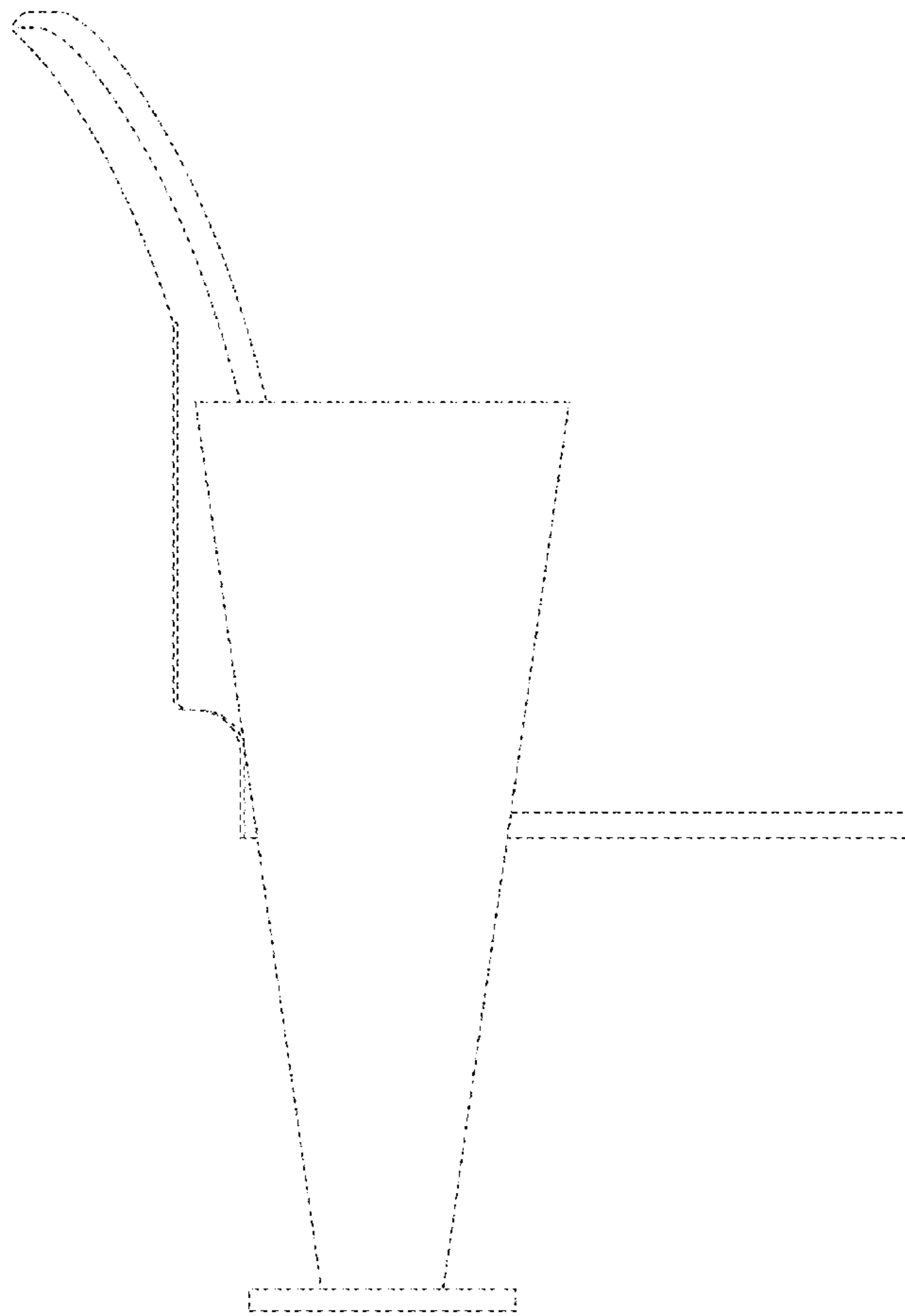


Fig.15

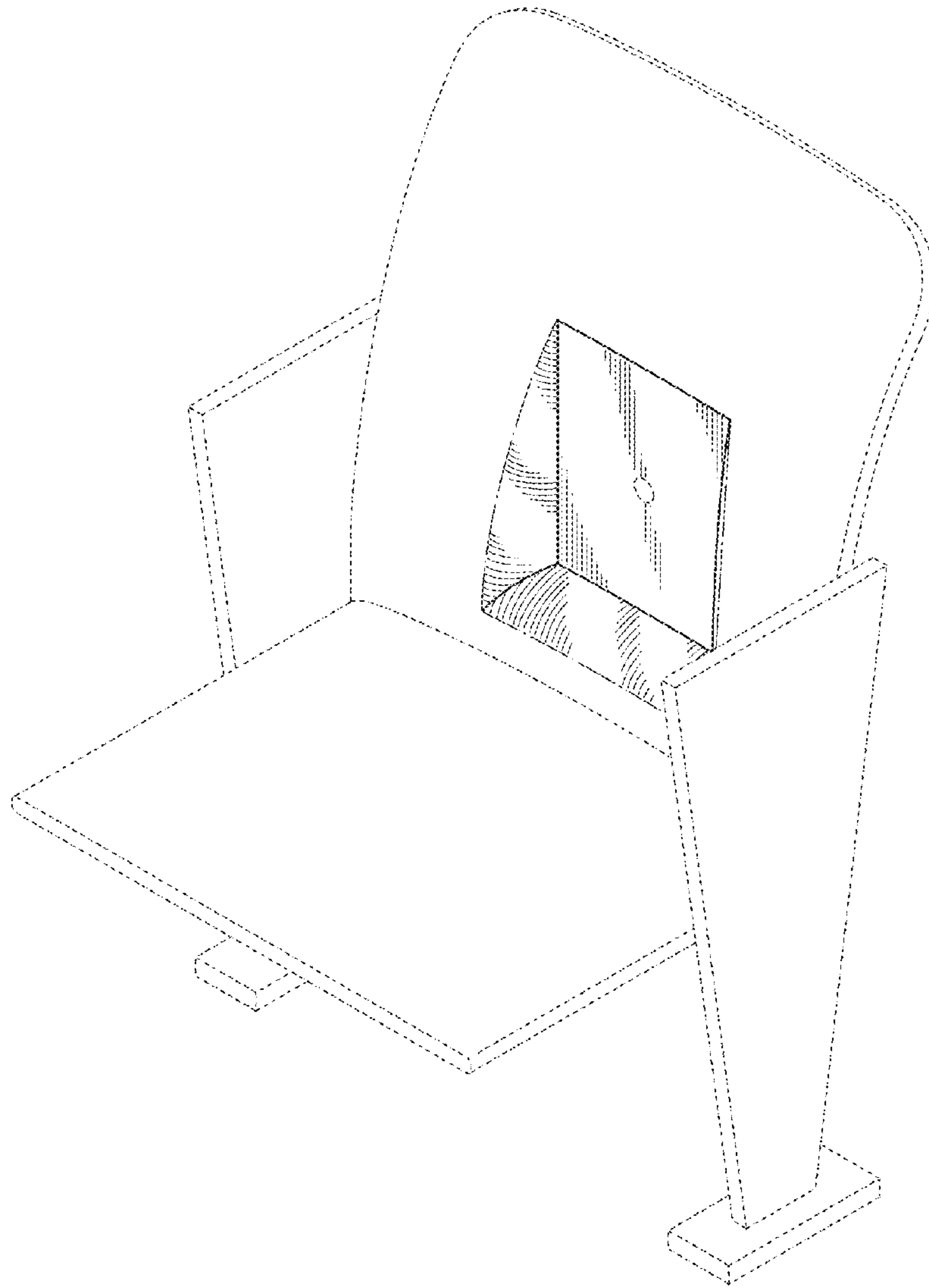


Fig.16

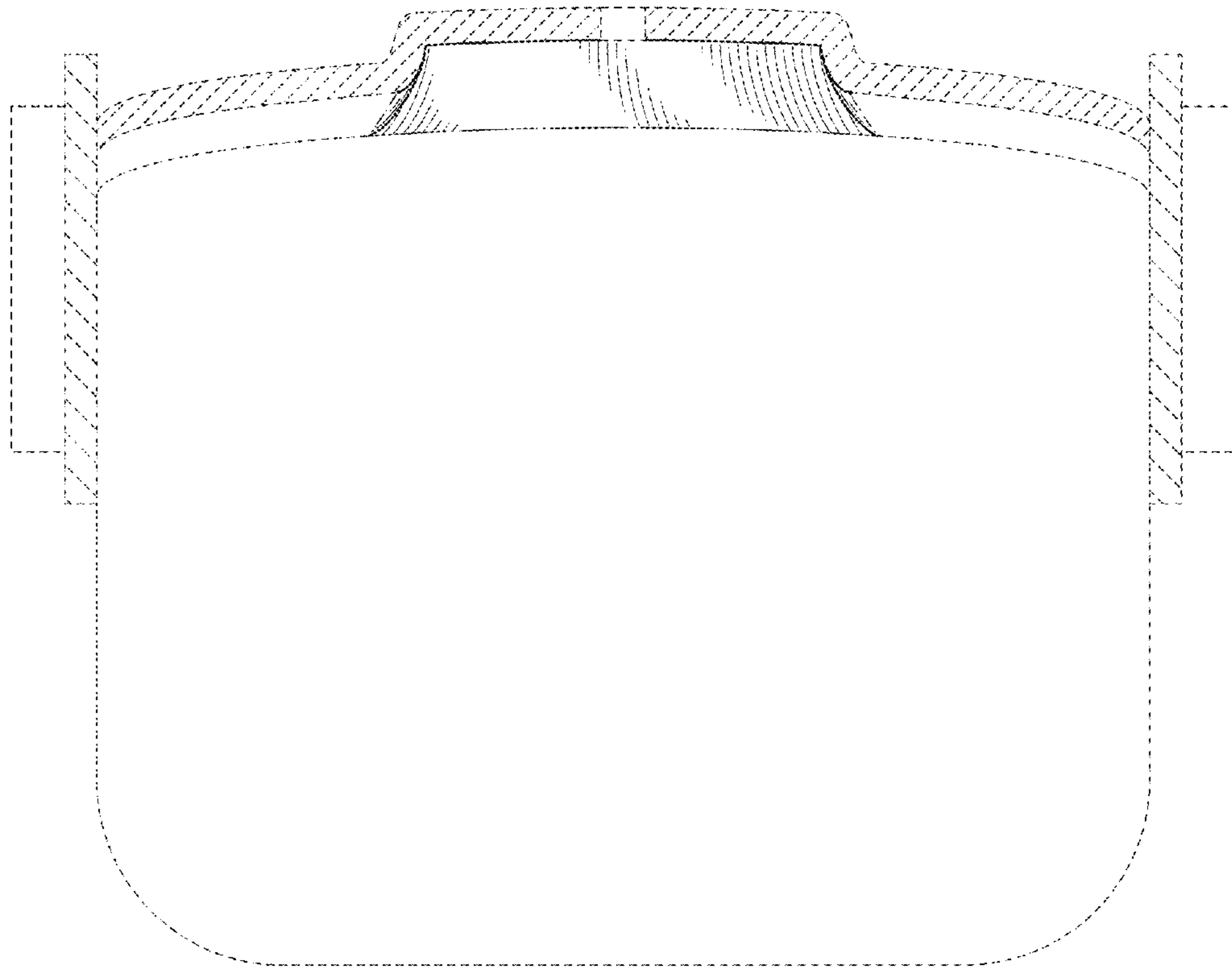


Fig.17

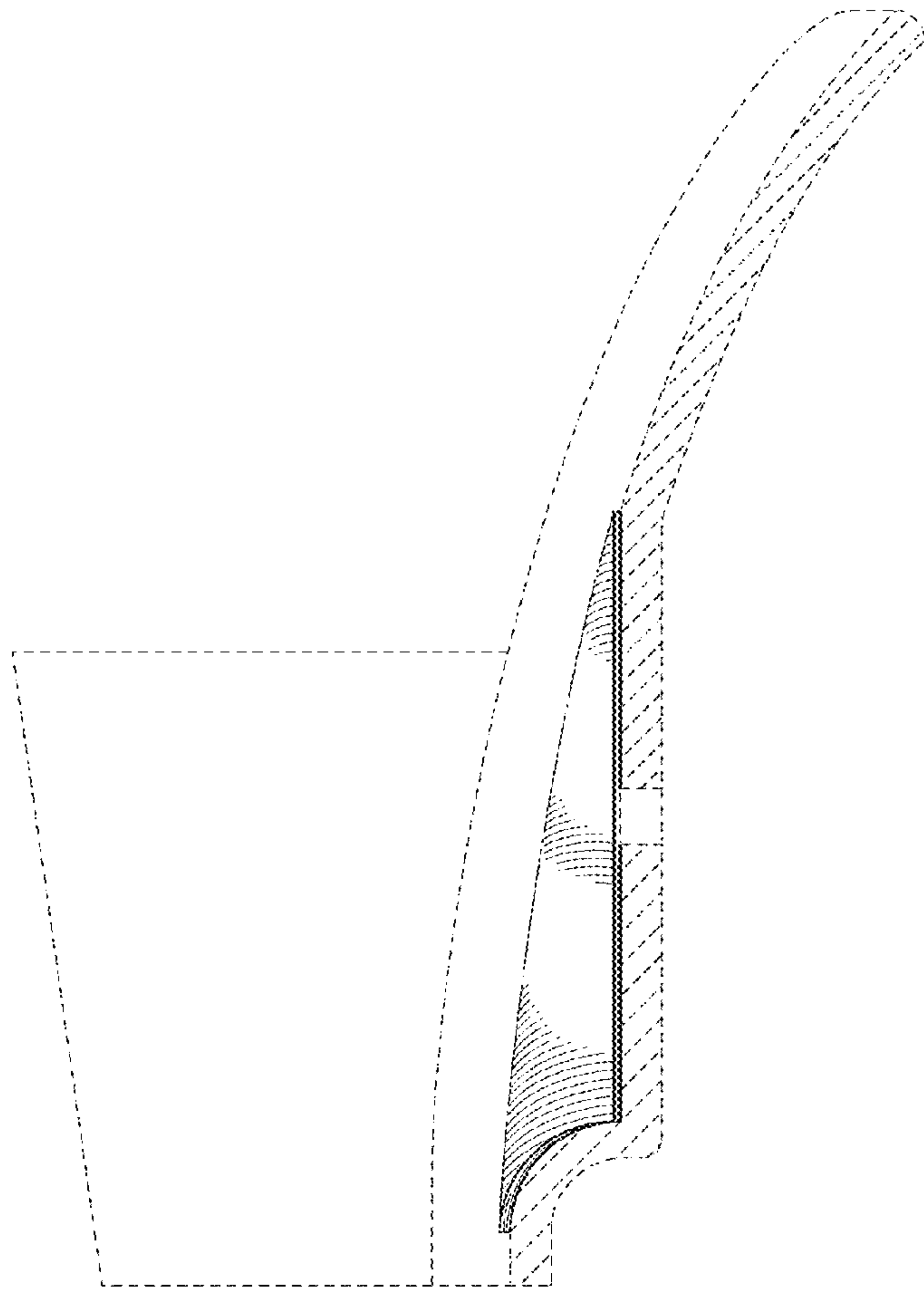


Fig.18

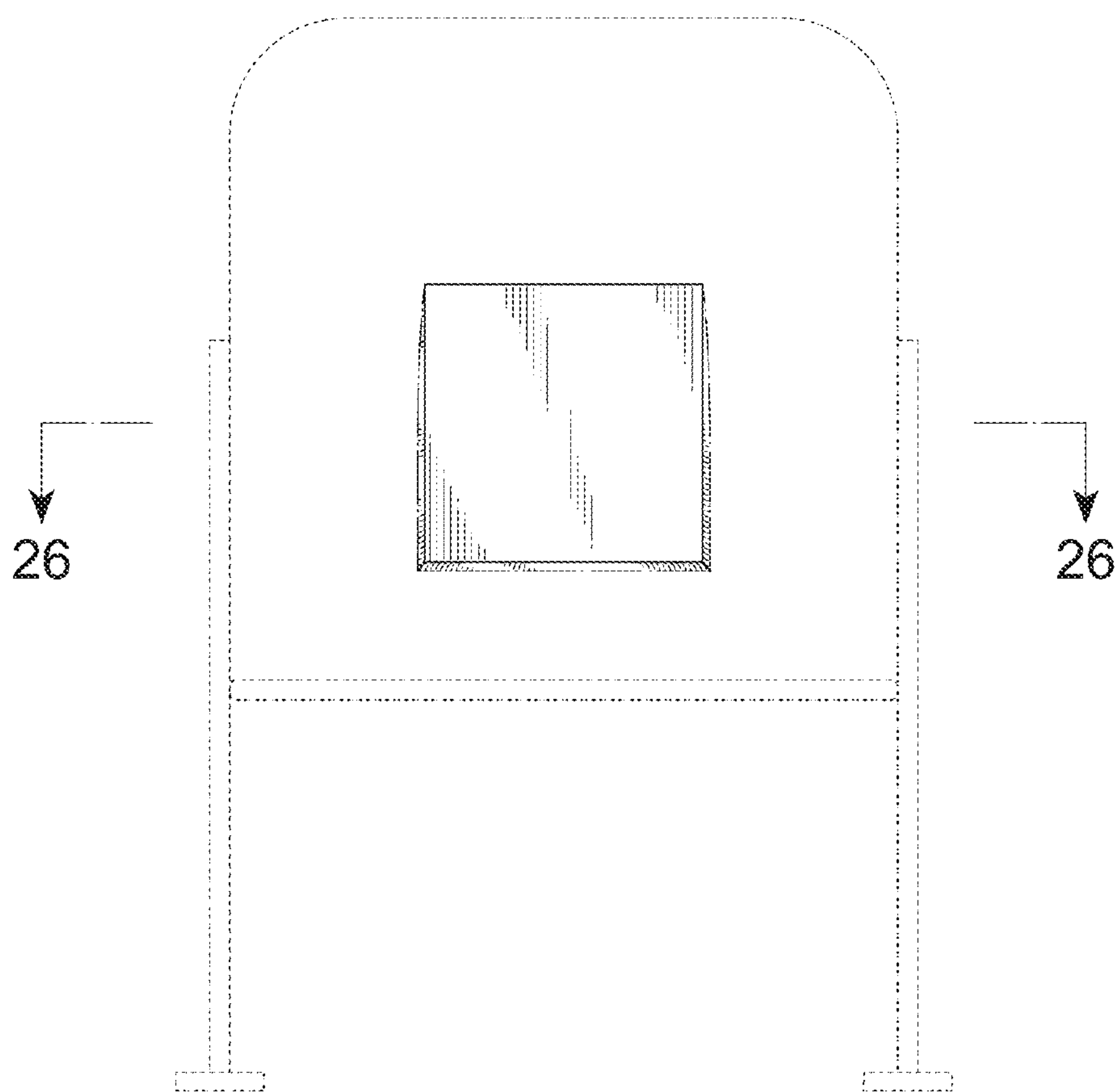


Fig.19

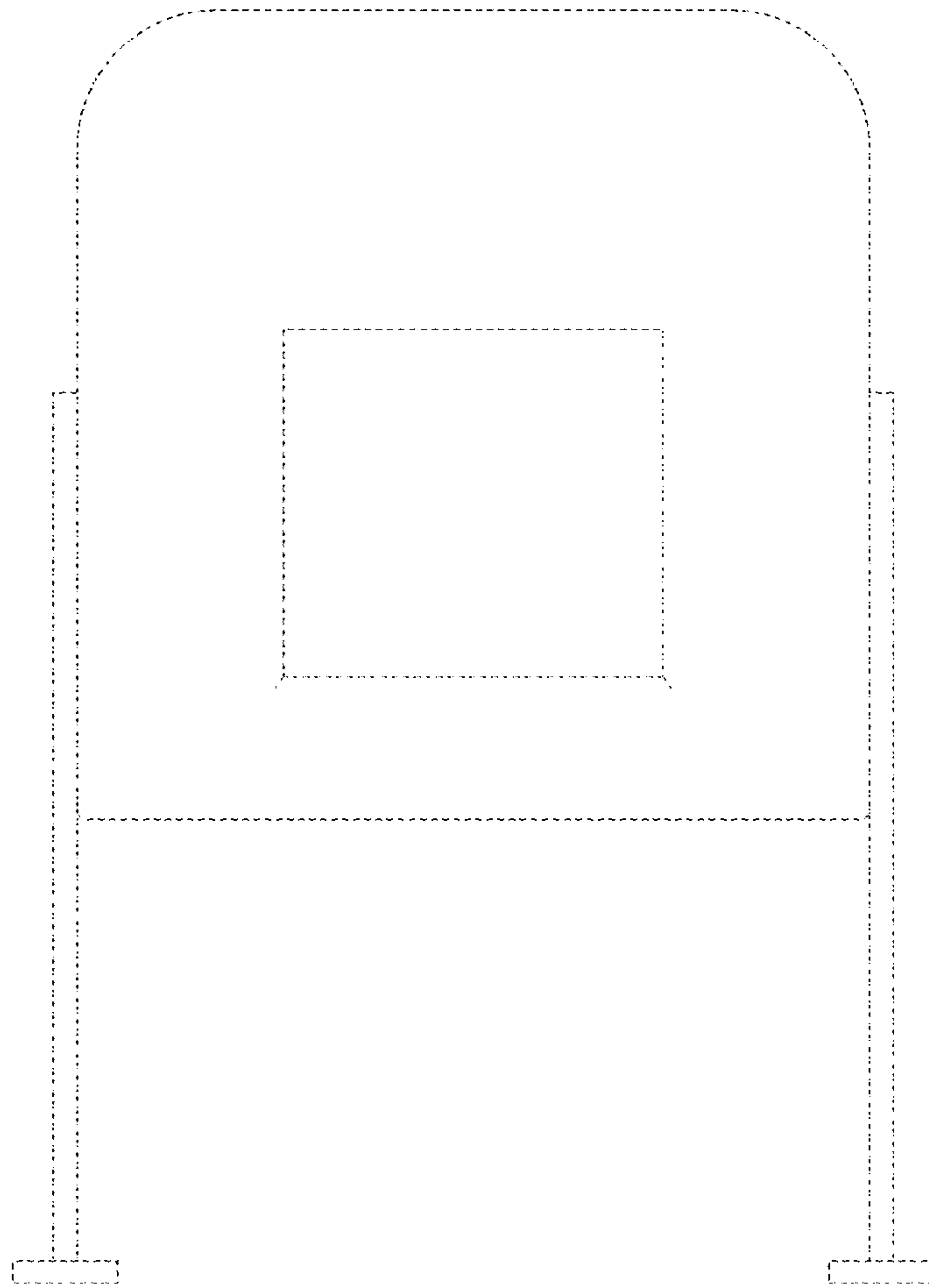


Fig.20



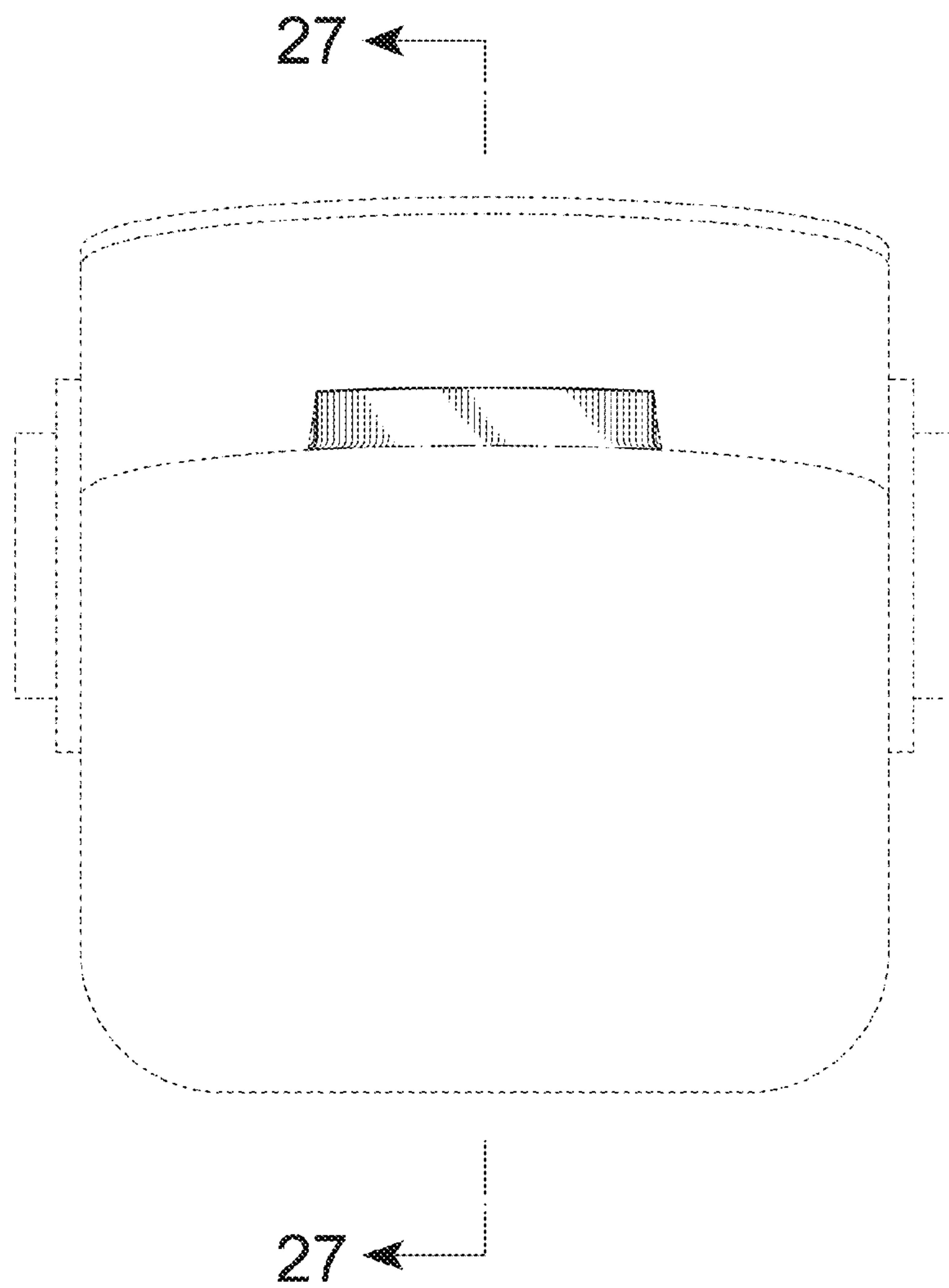


Fig.21

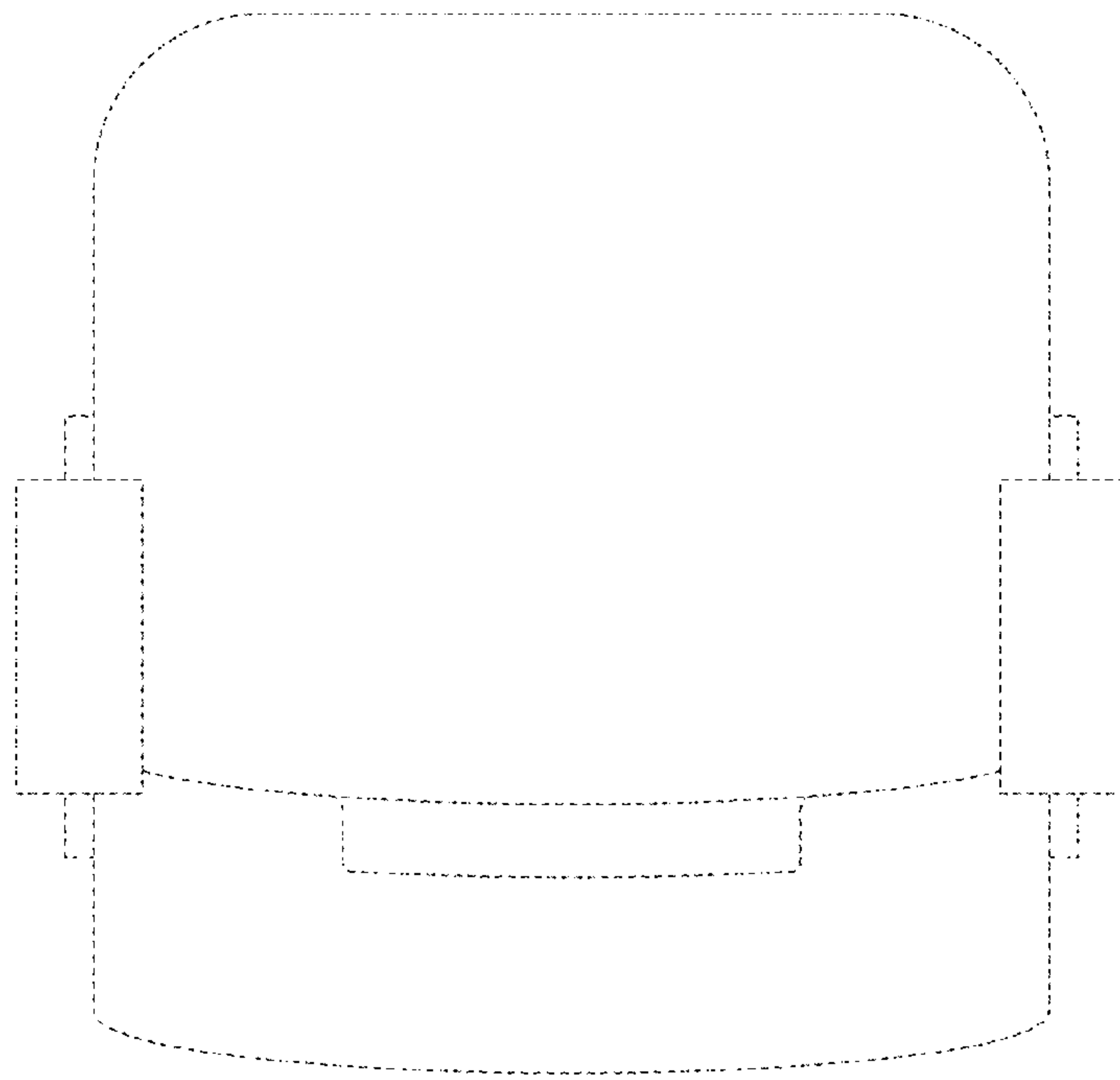


Fig.22

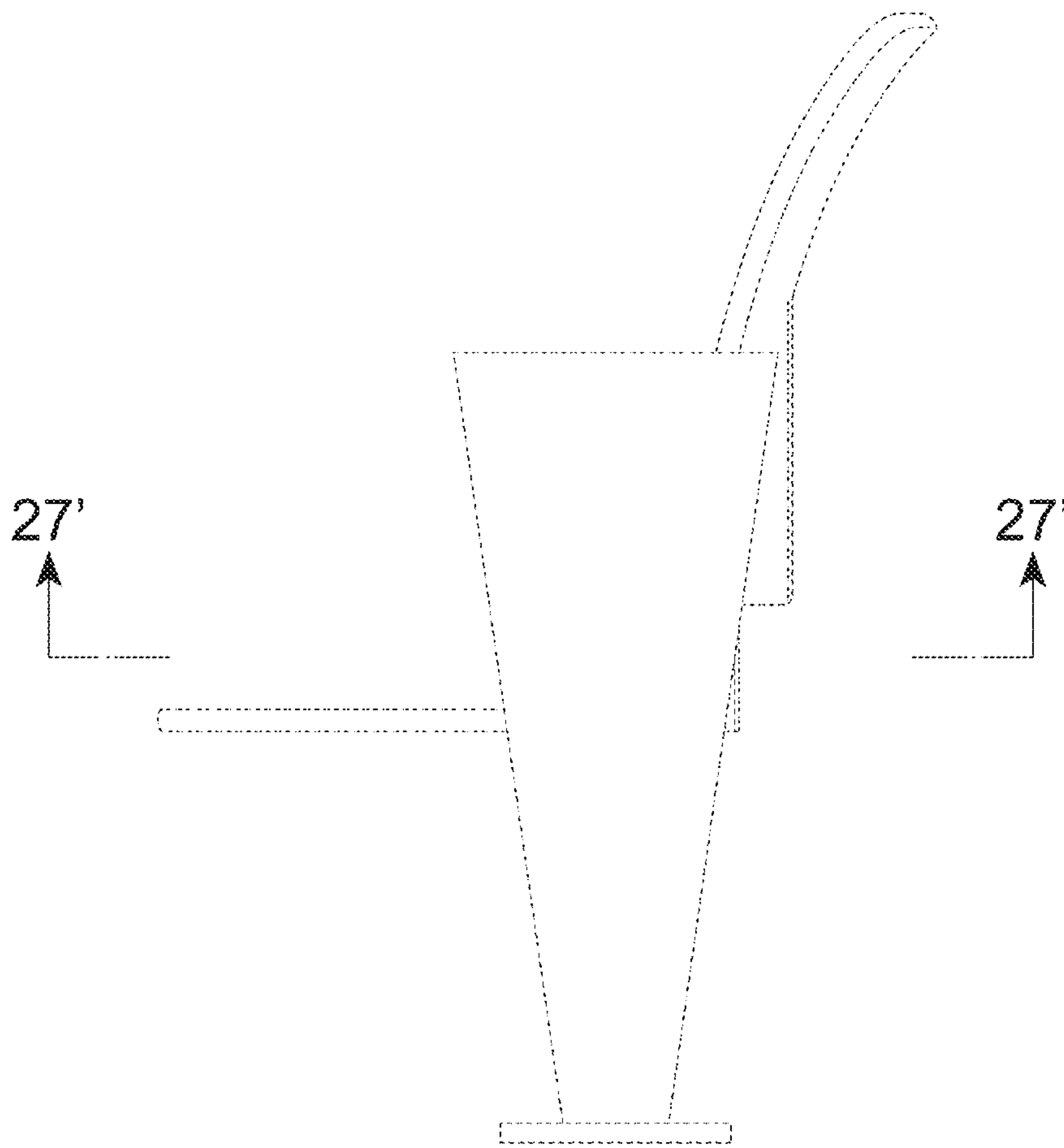


Fig.23

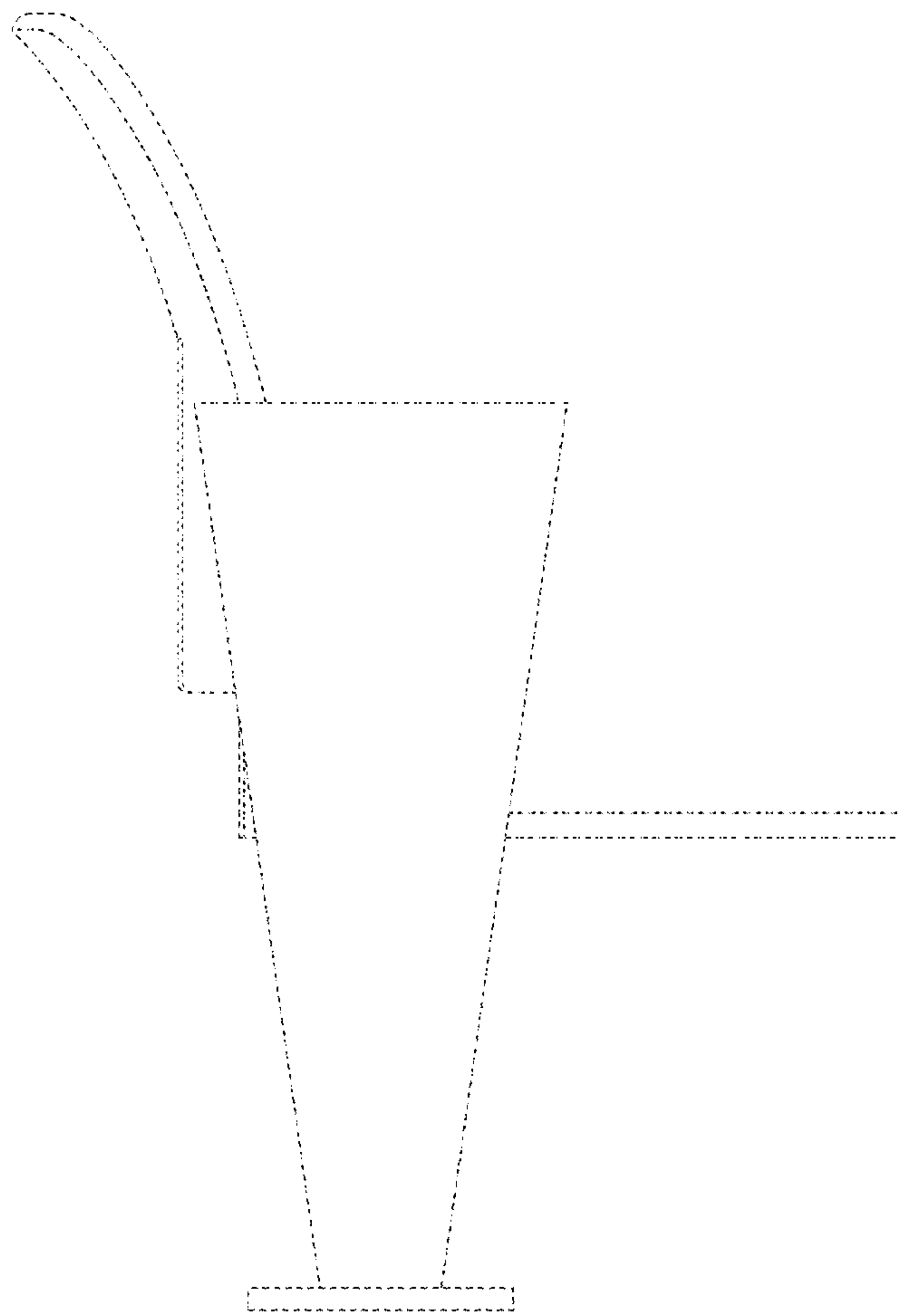


Fig.24

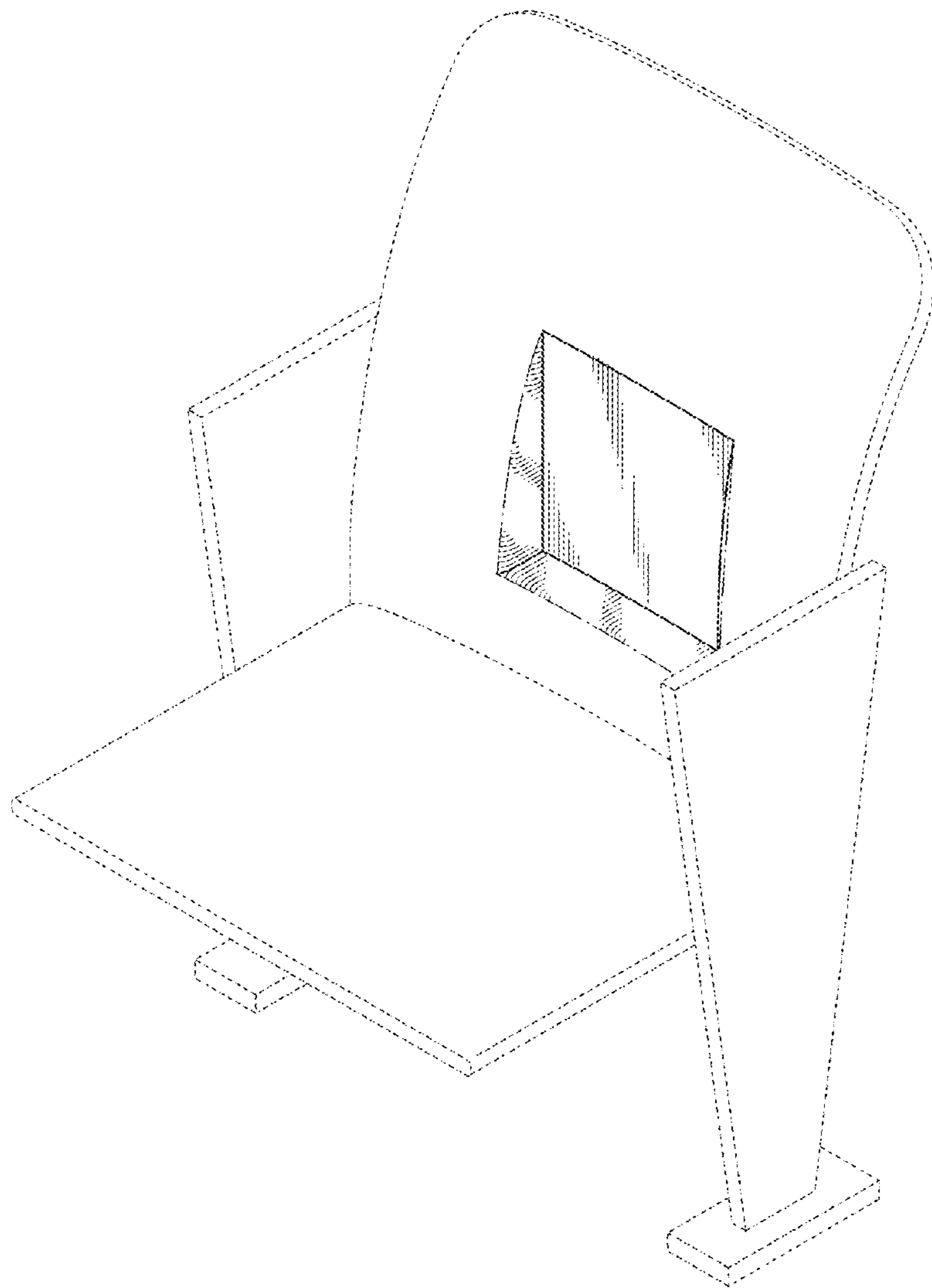


Fig.25

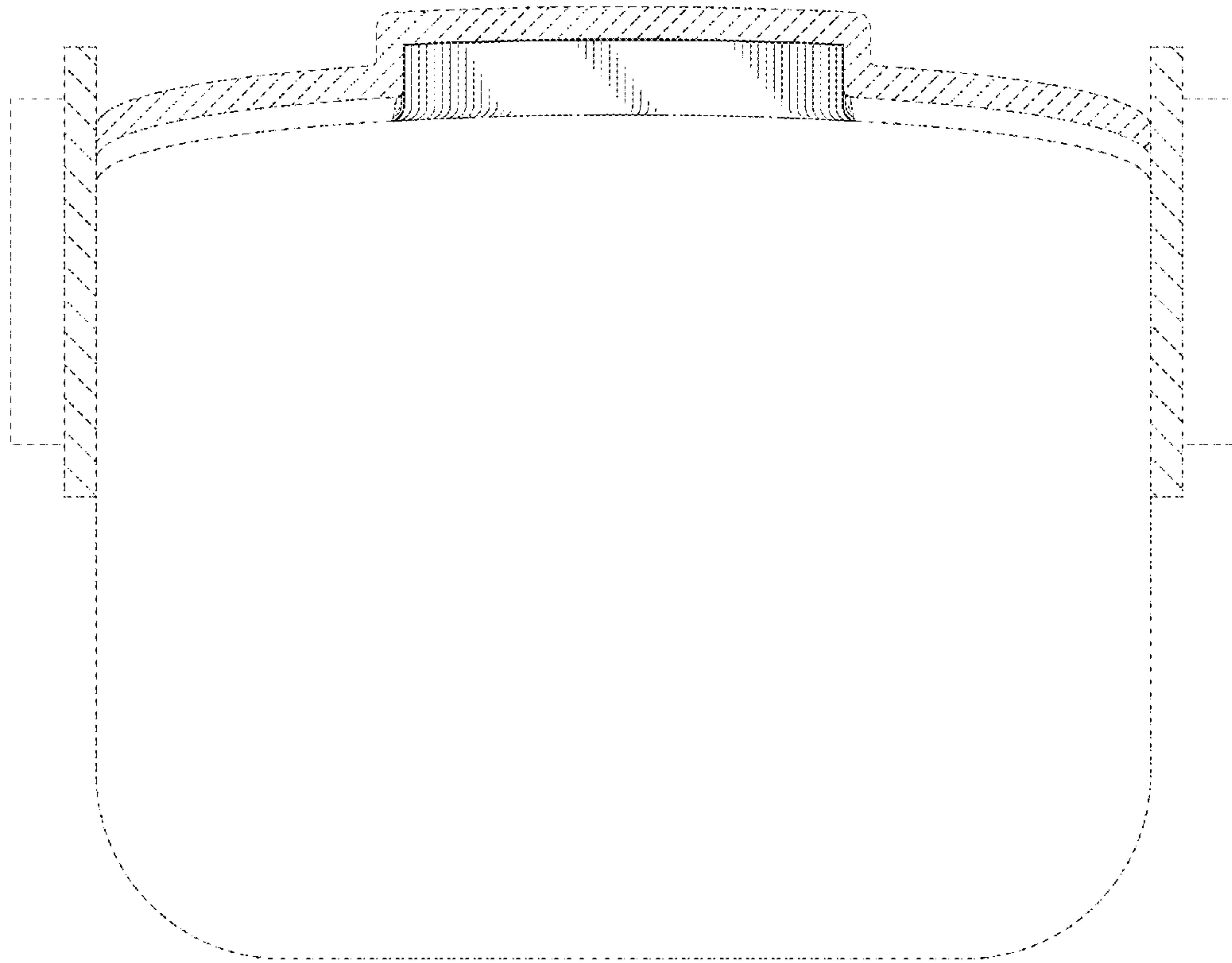


Fig.26

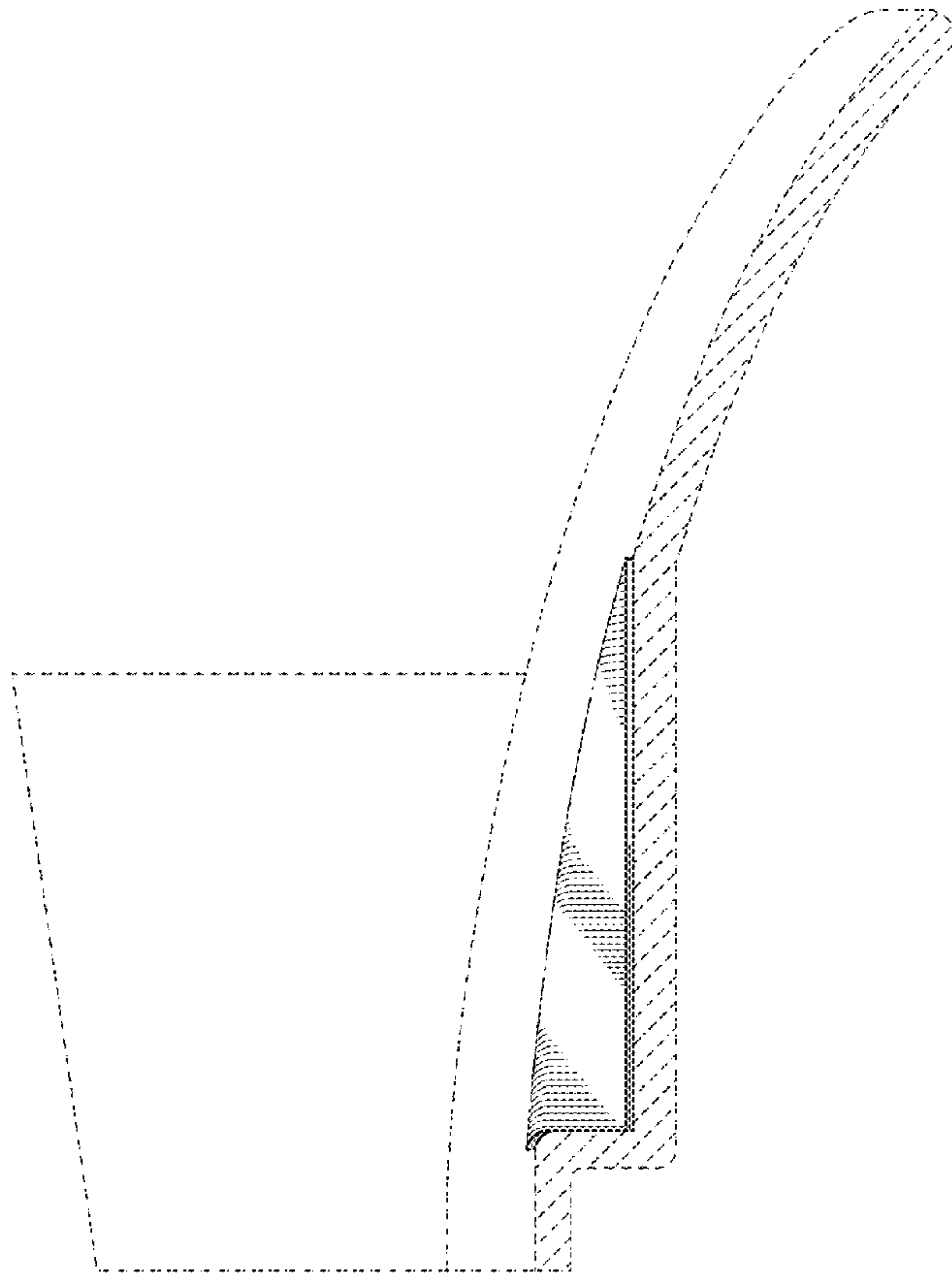


Fig.27



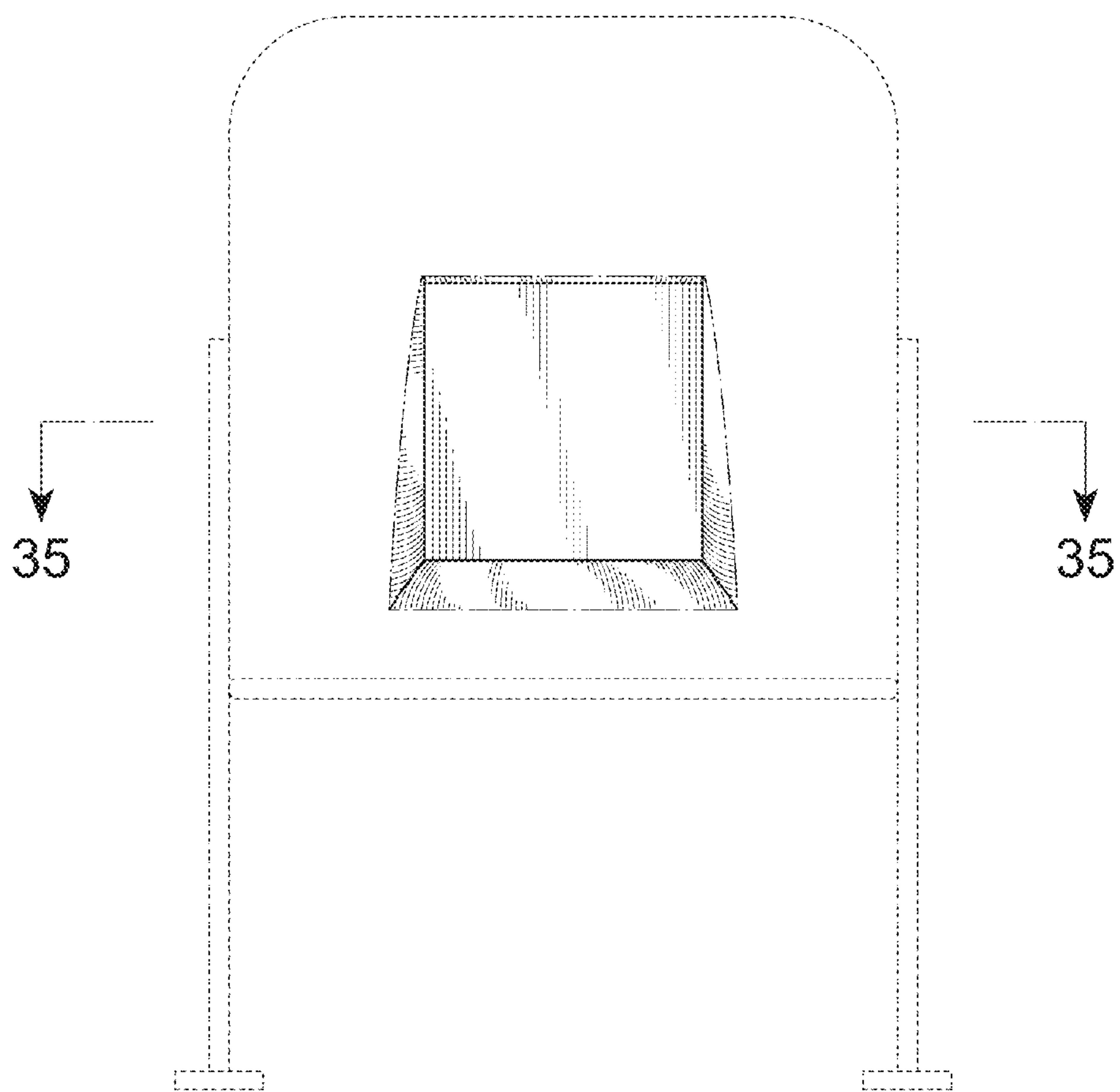


Fig.28

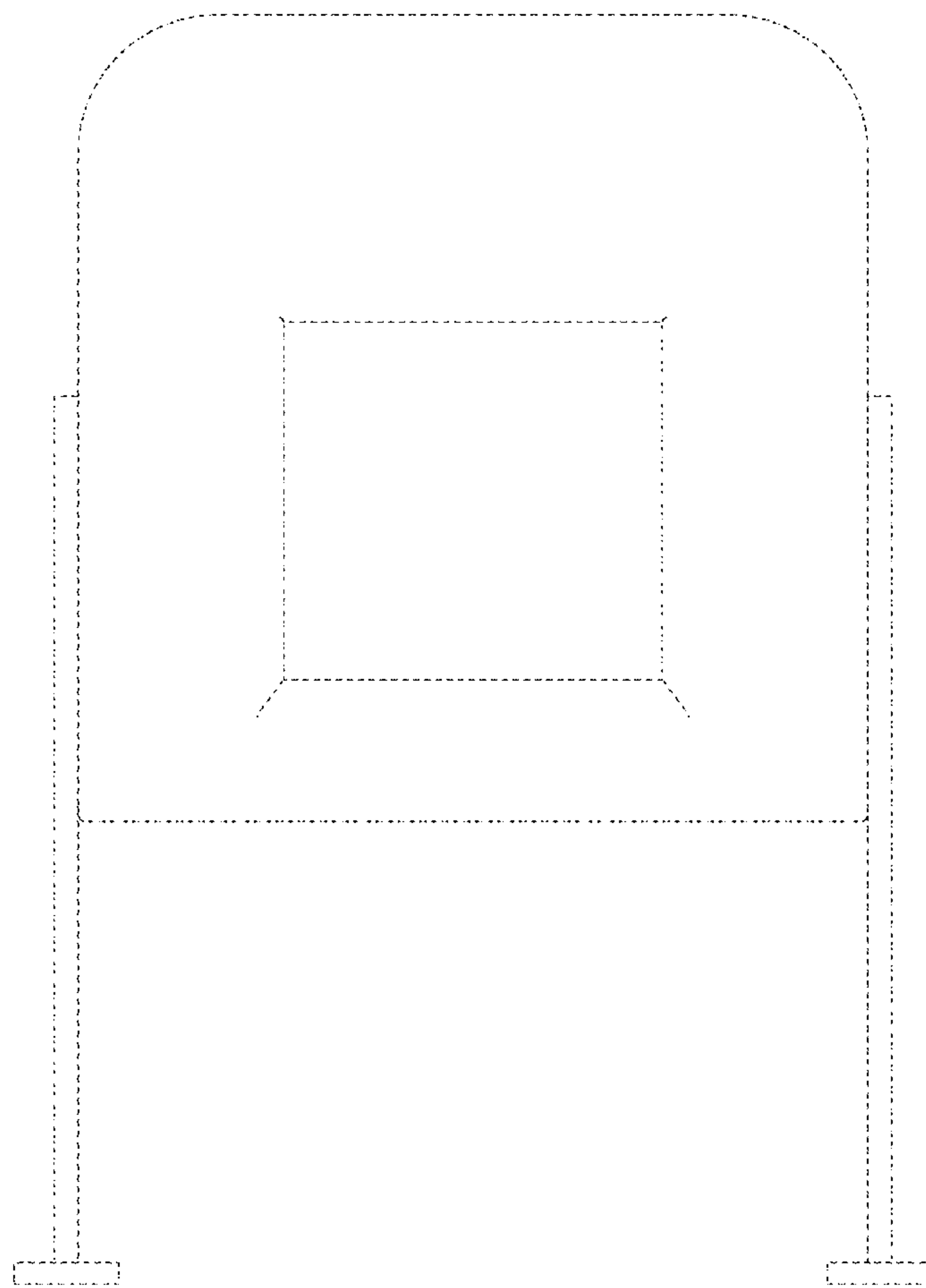


Fig.29

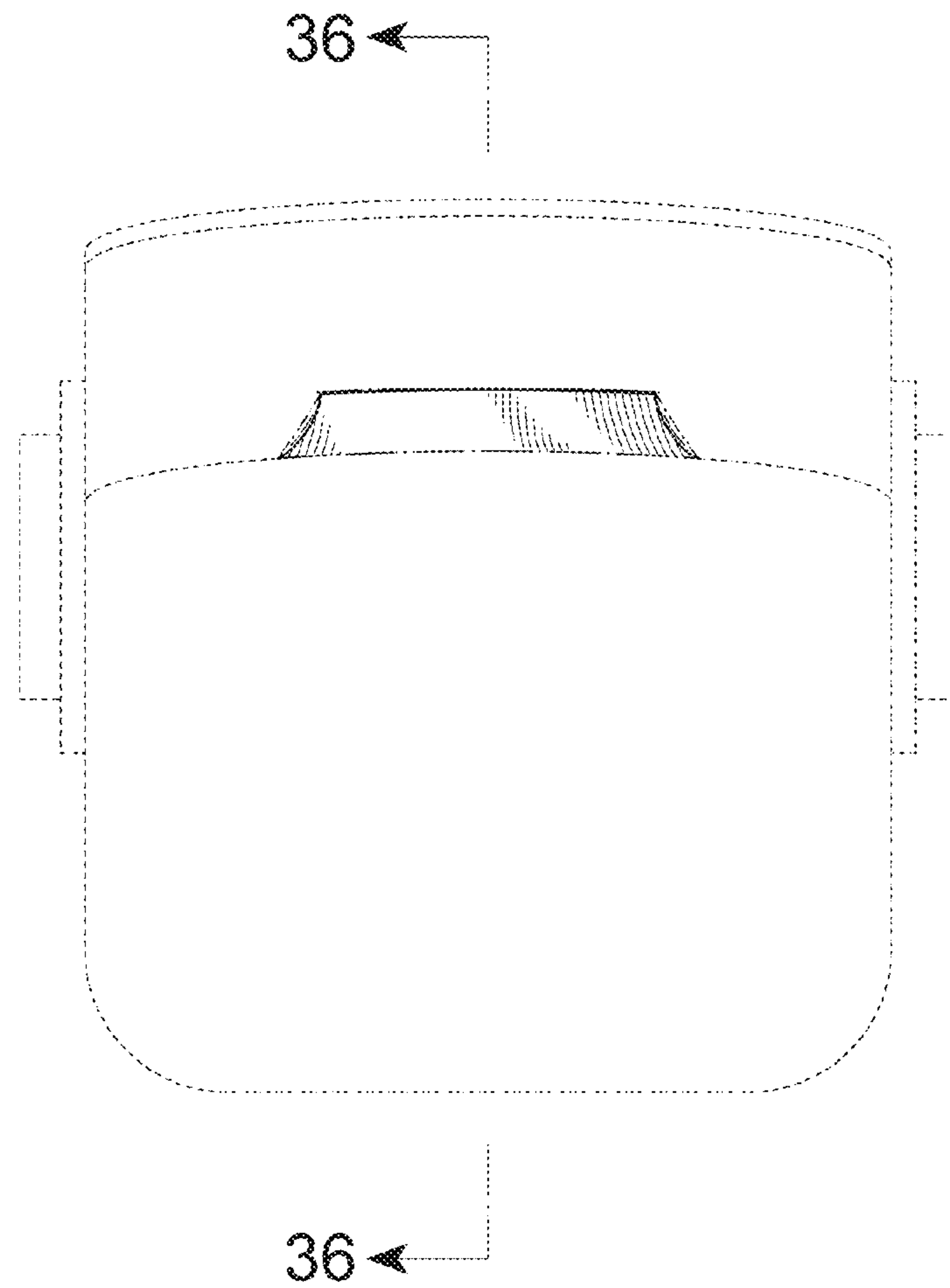


Fig.30

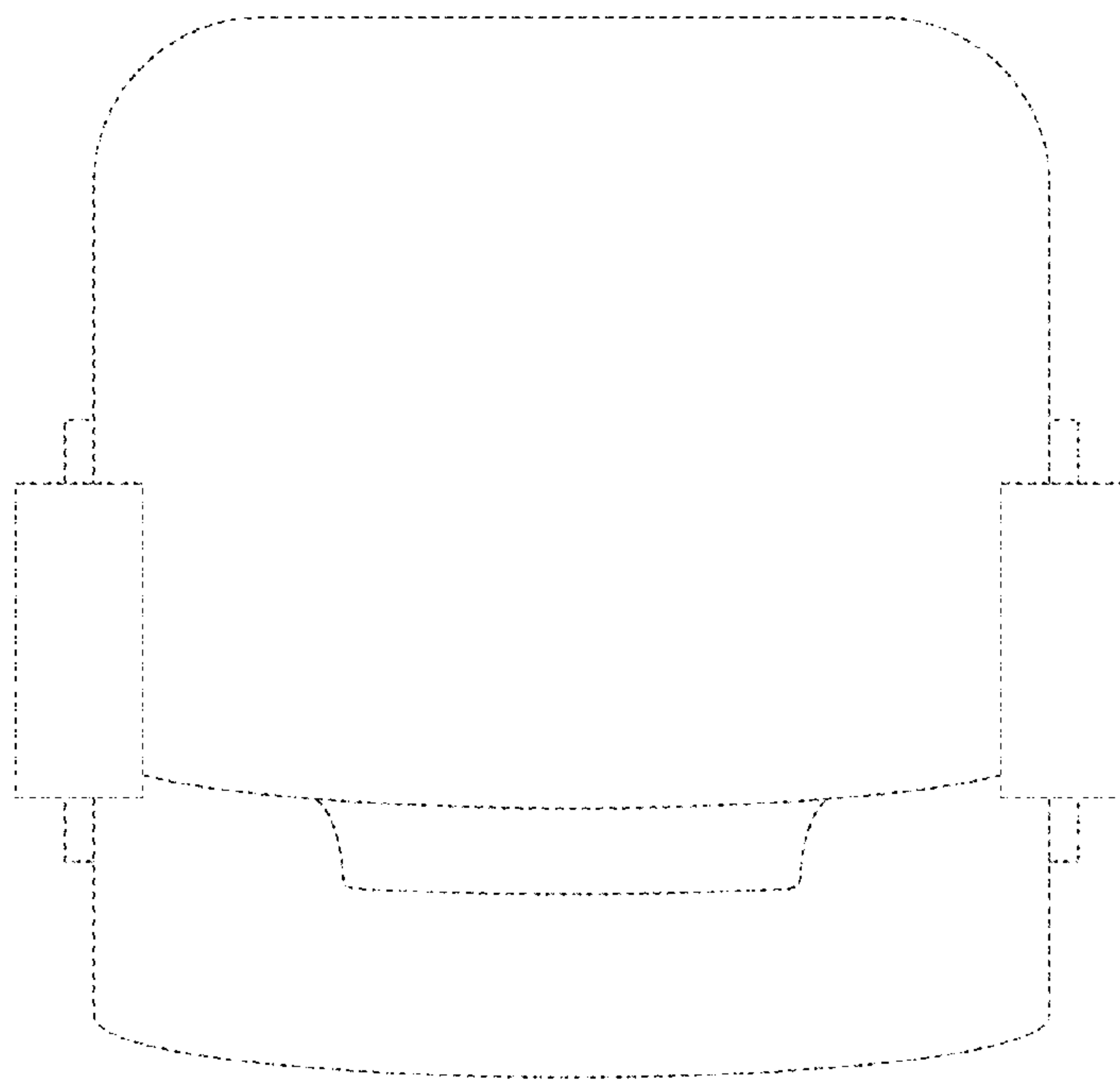


Fig.31

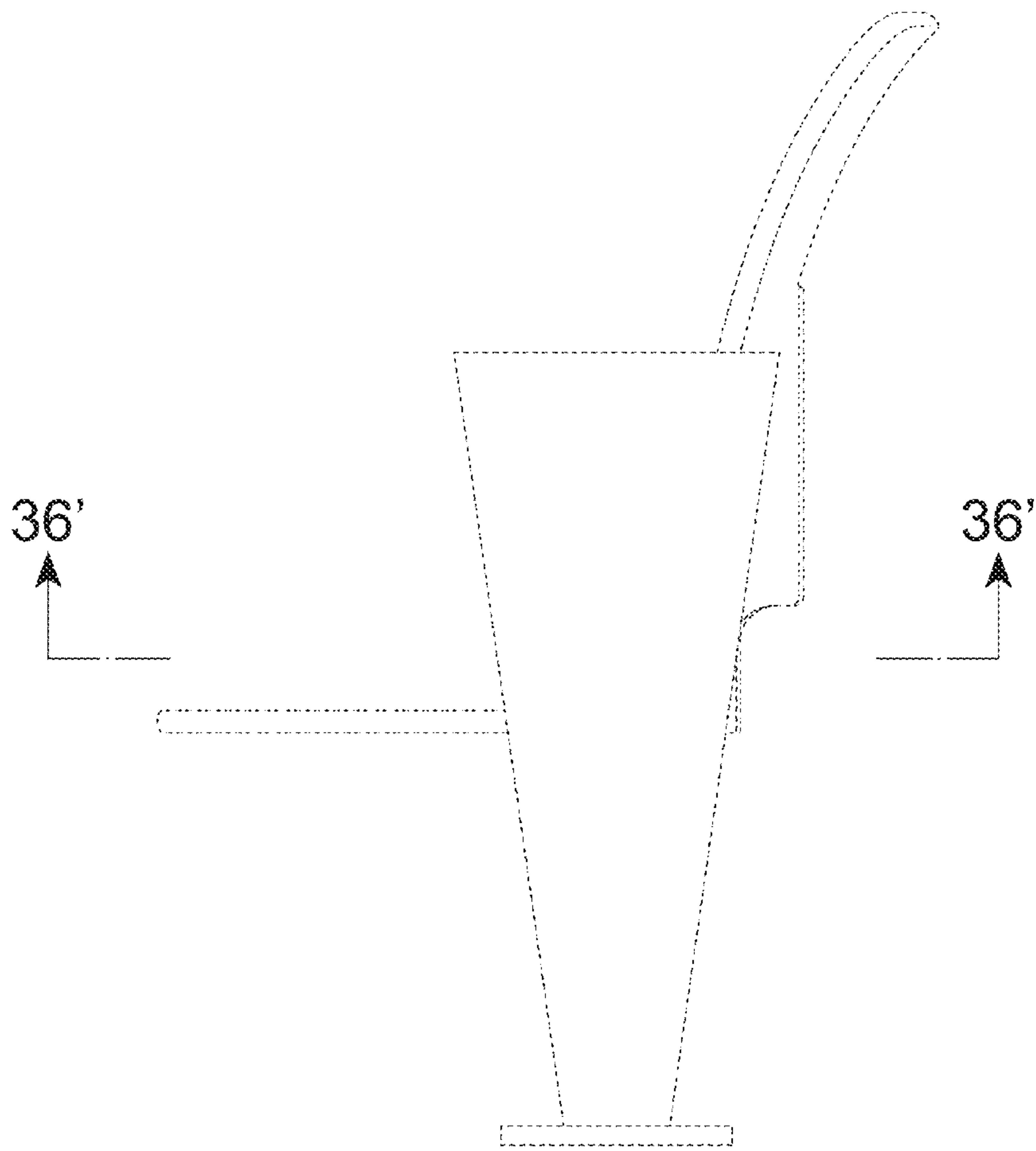


Fig.32

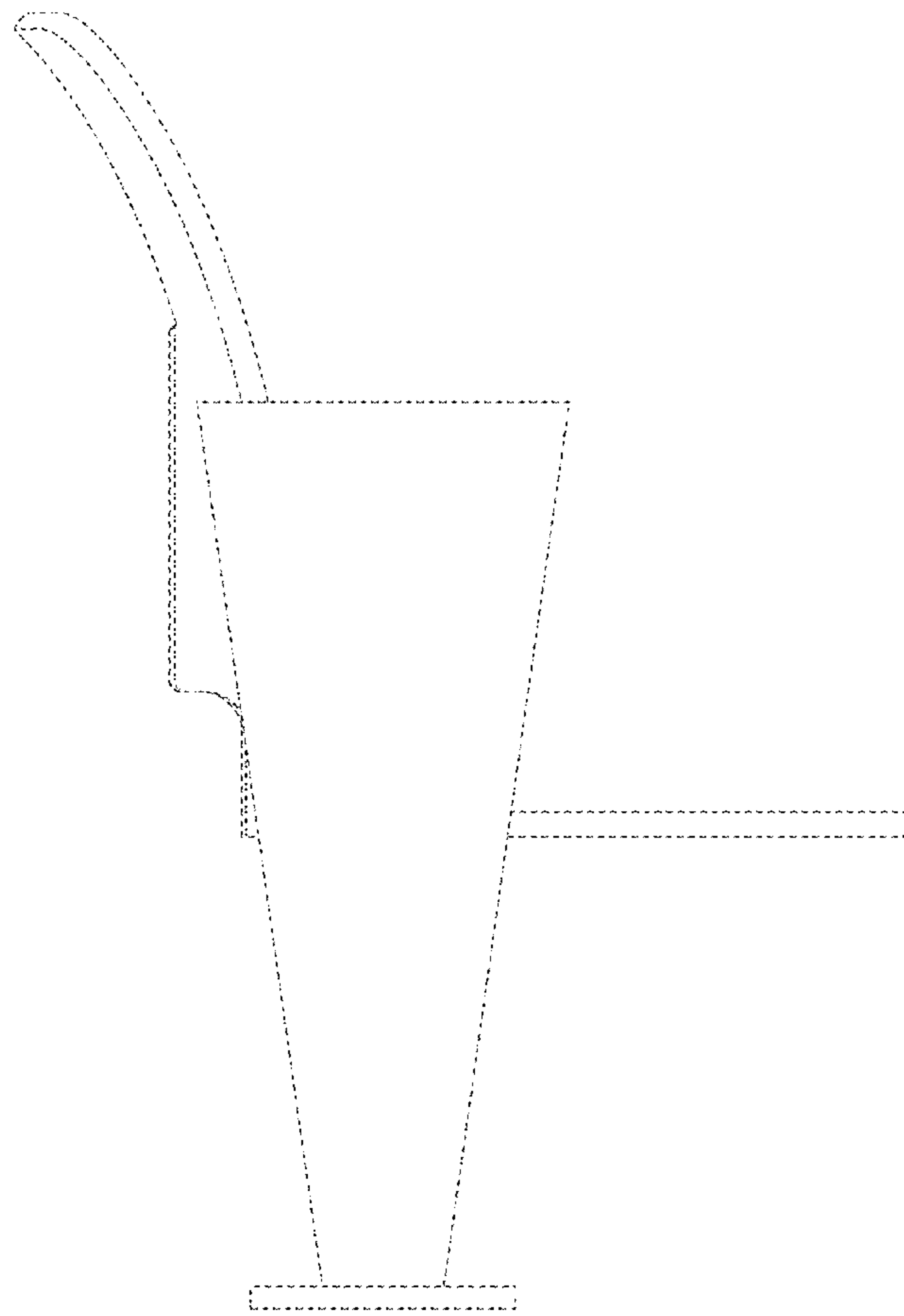


Fig.33

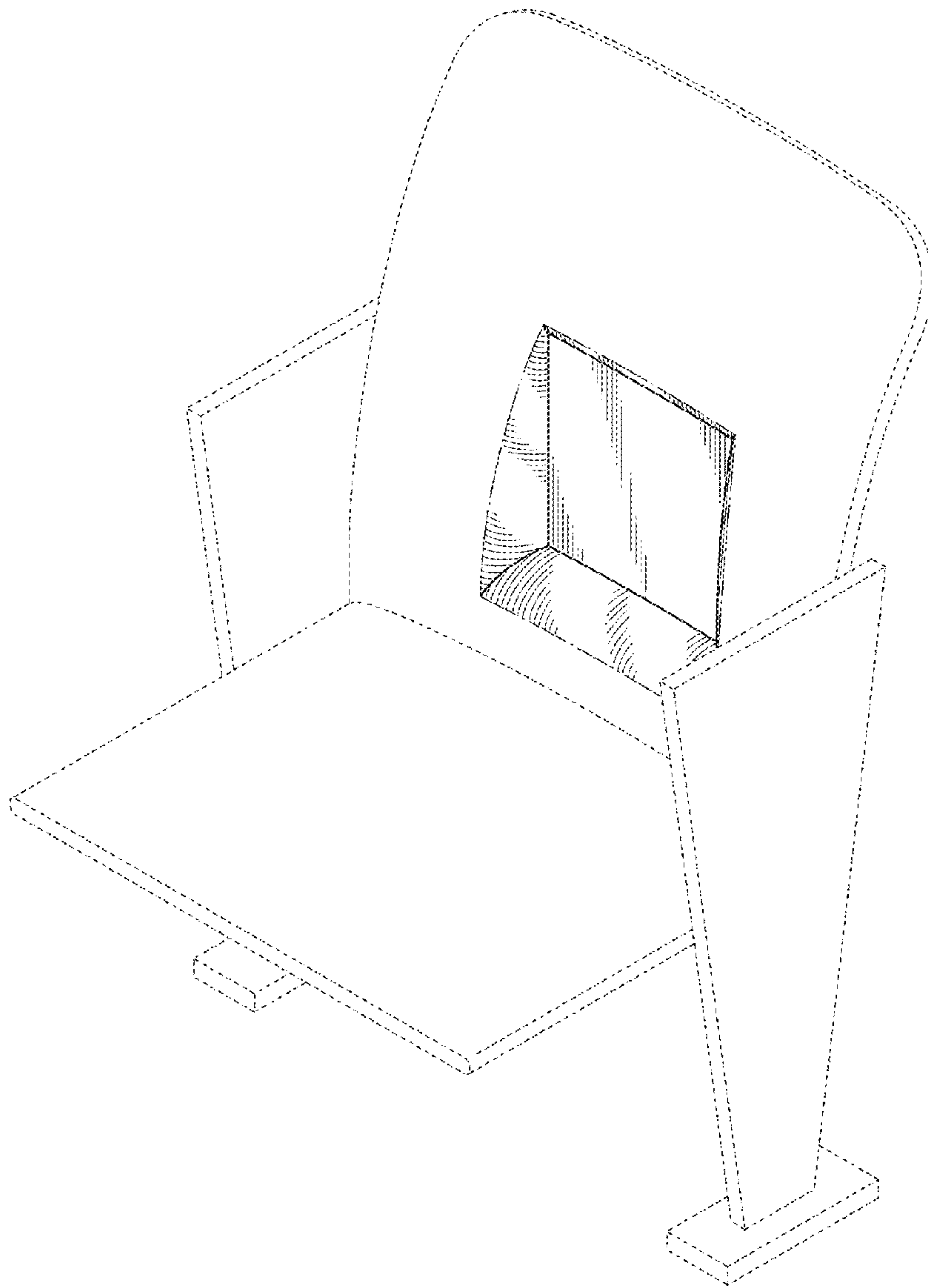


Fig.34



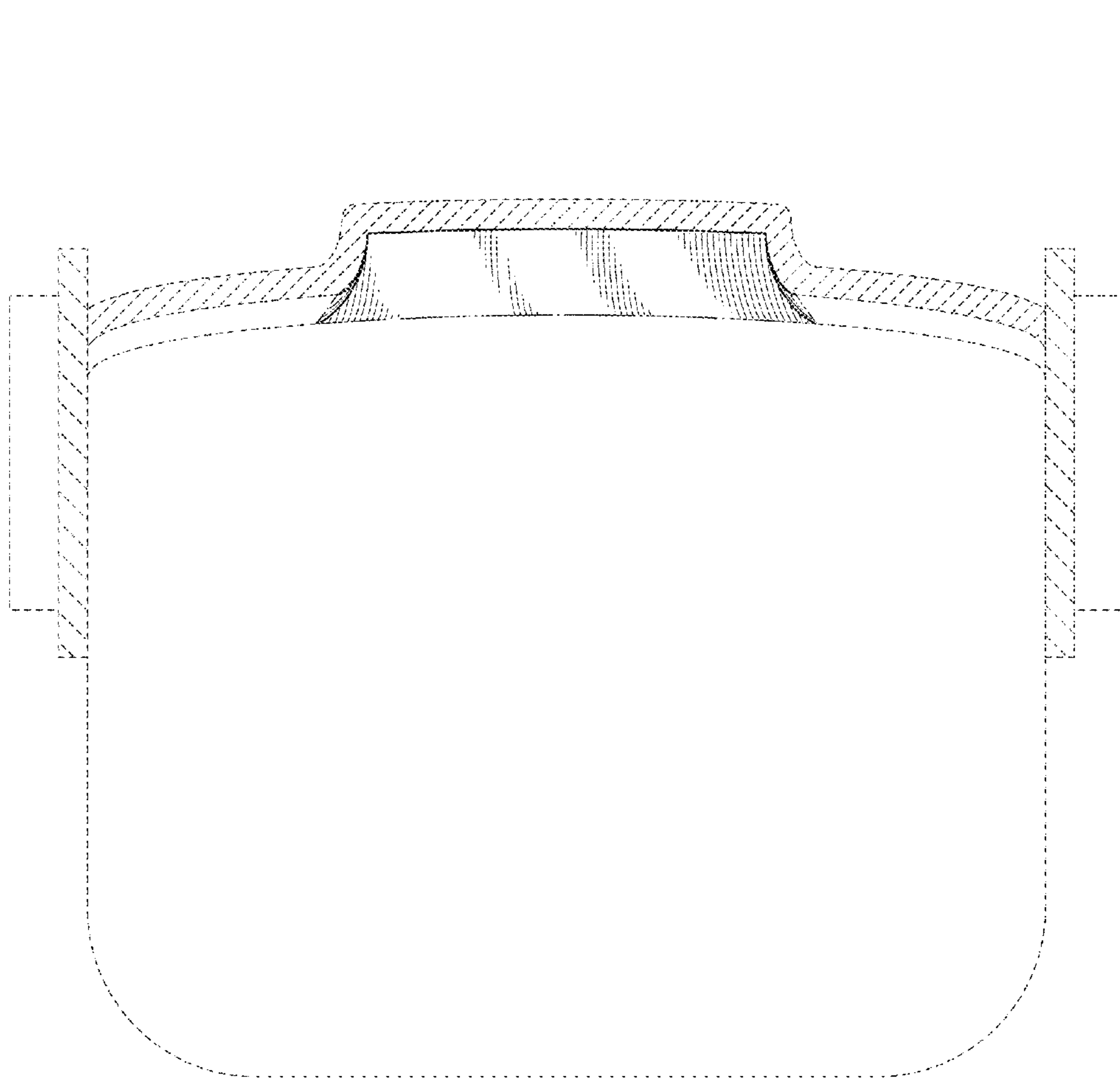


Fig.35

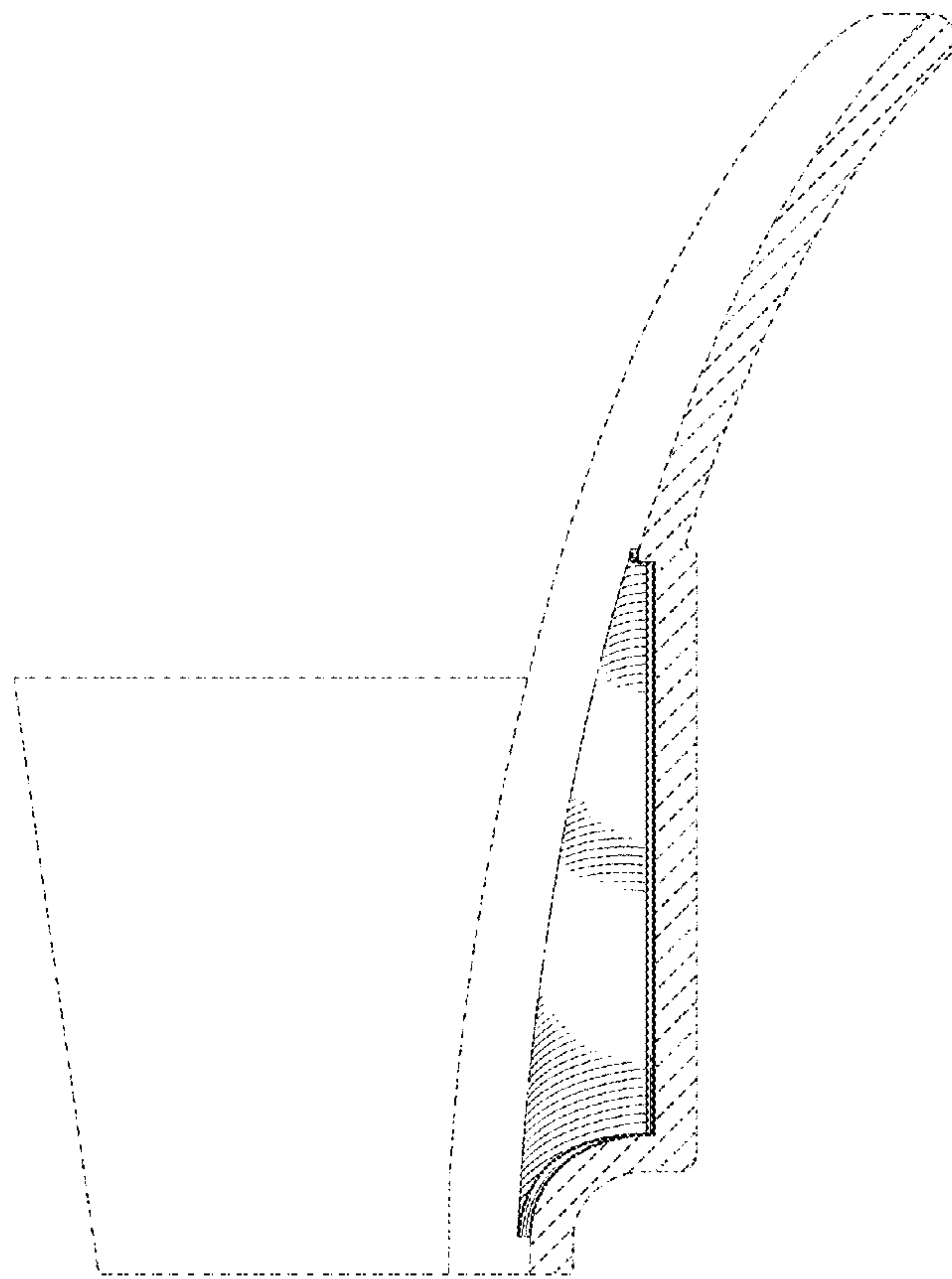


Fig.36

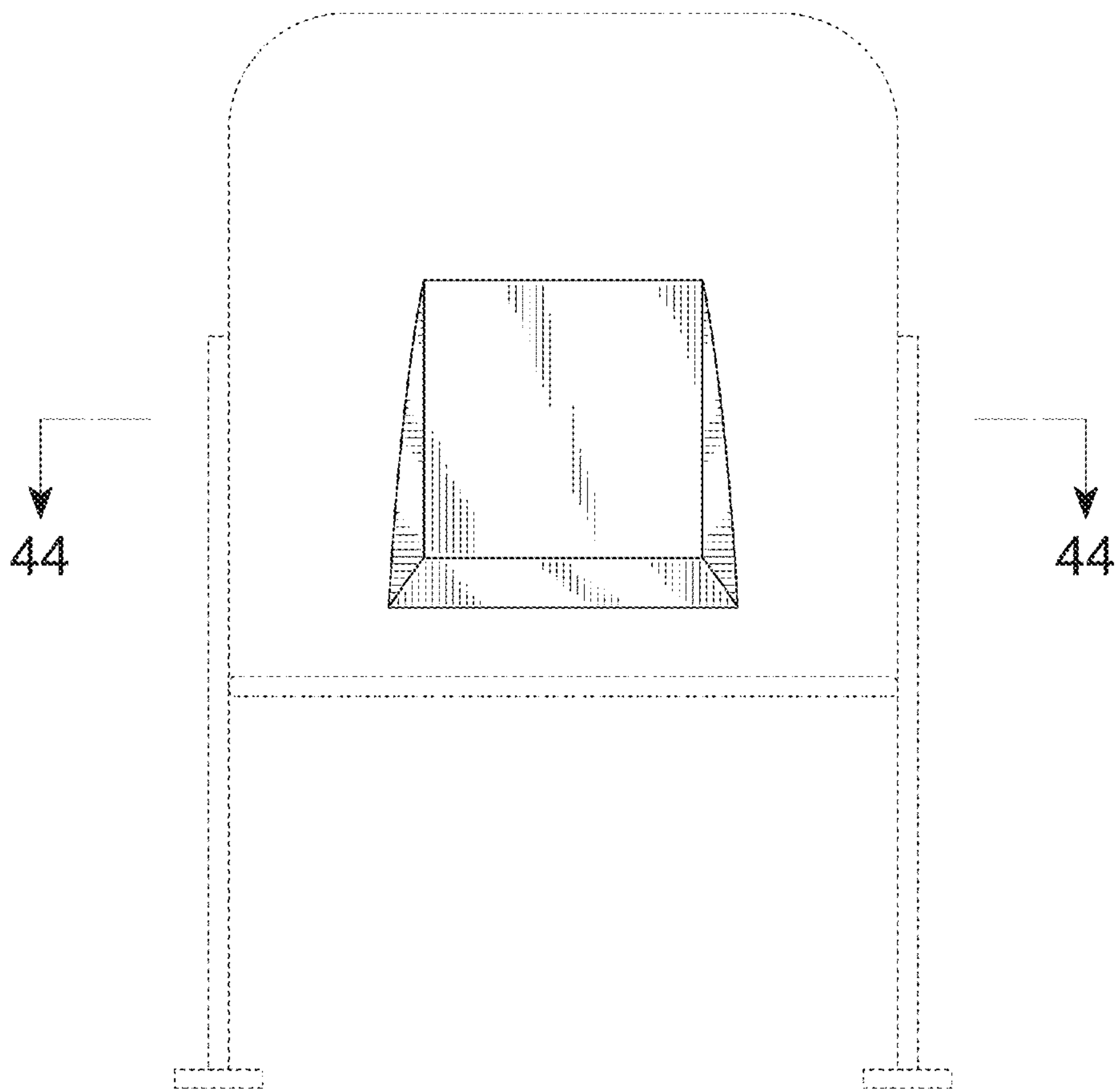


Fig.37

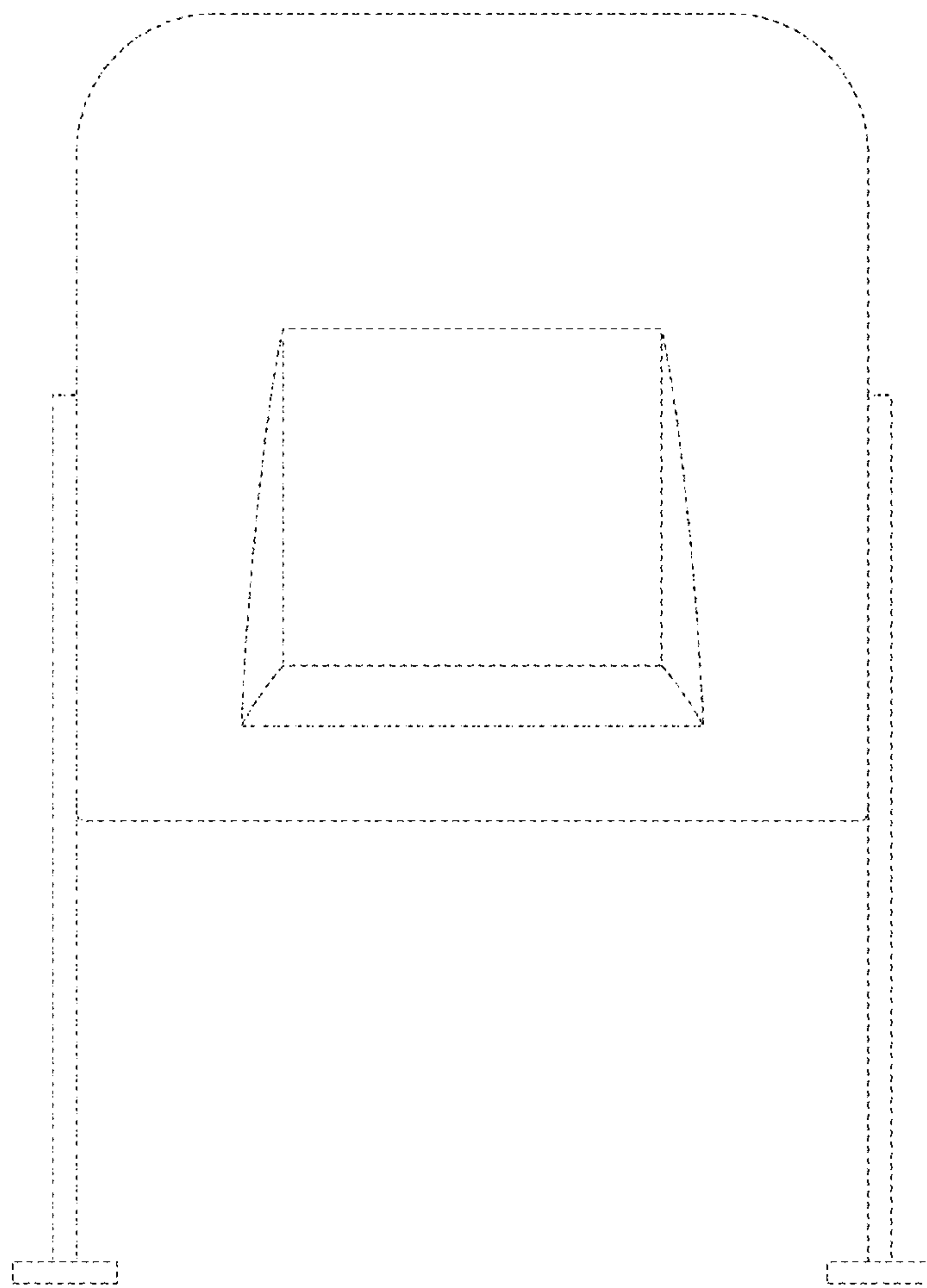


Fig.38

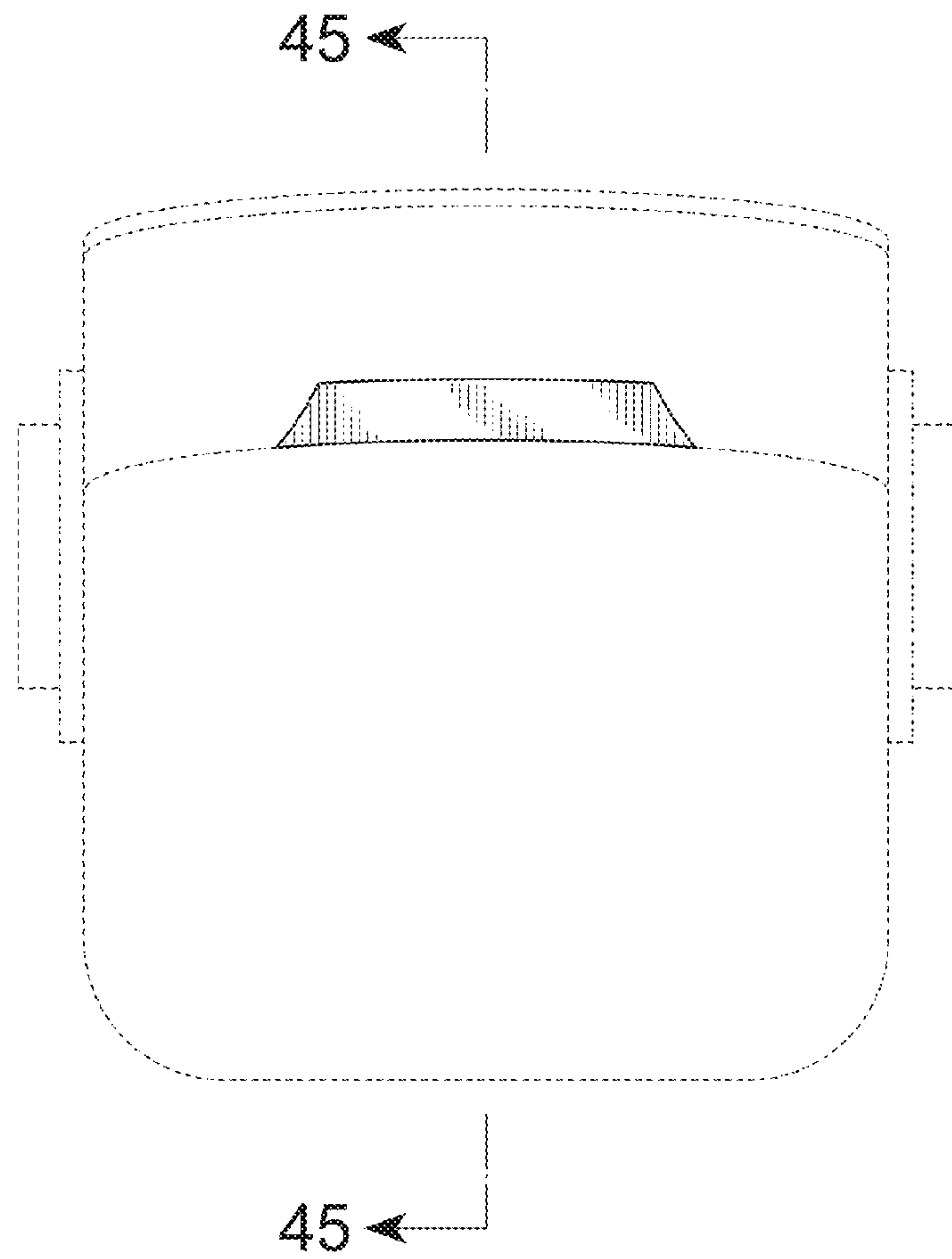


Fig.39

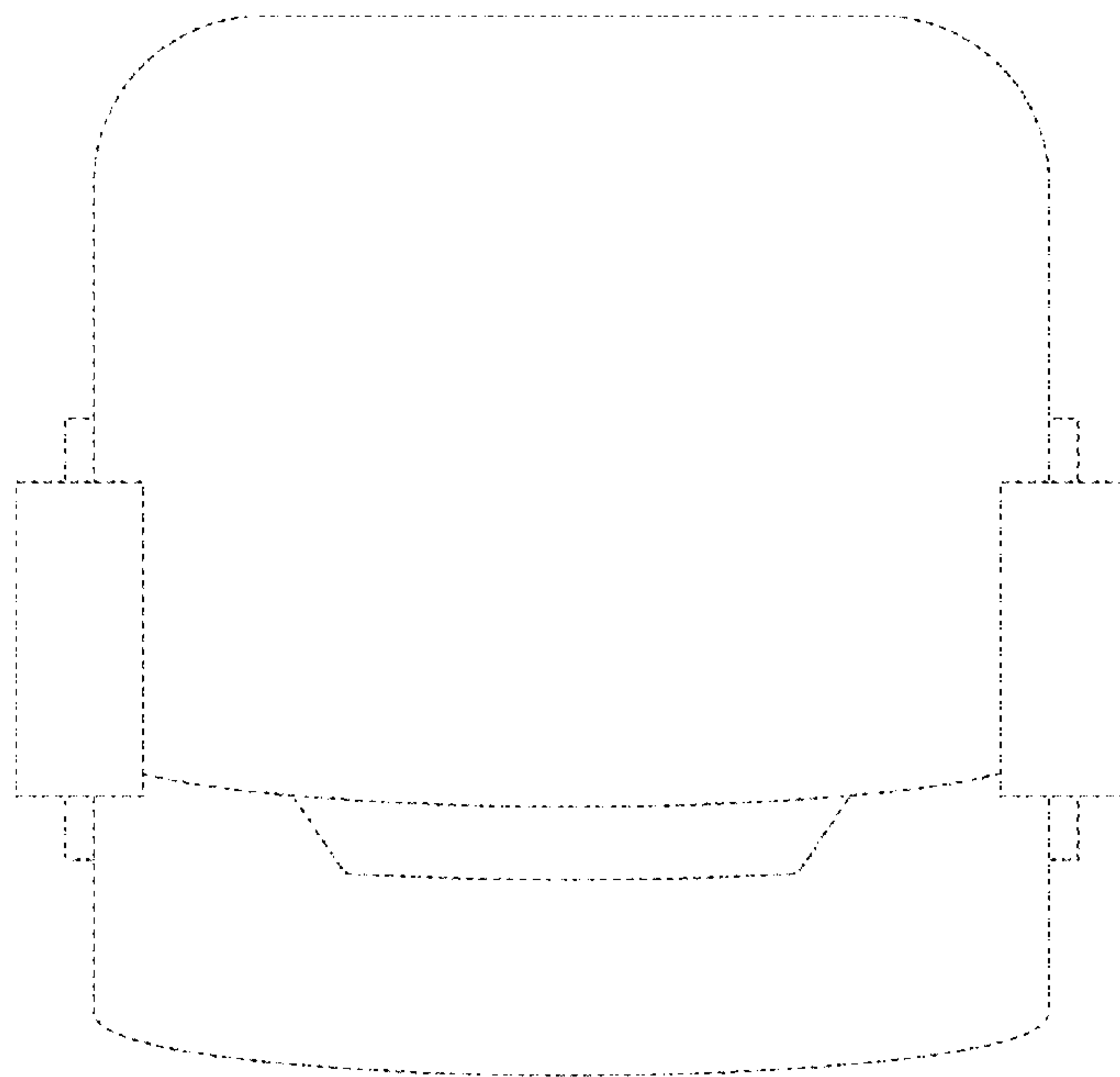


Fig.40

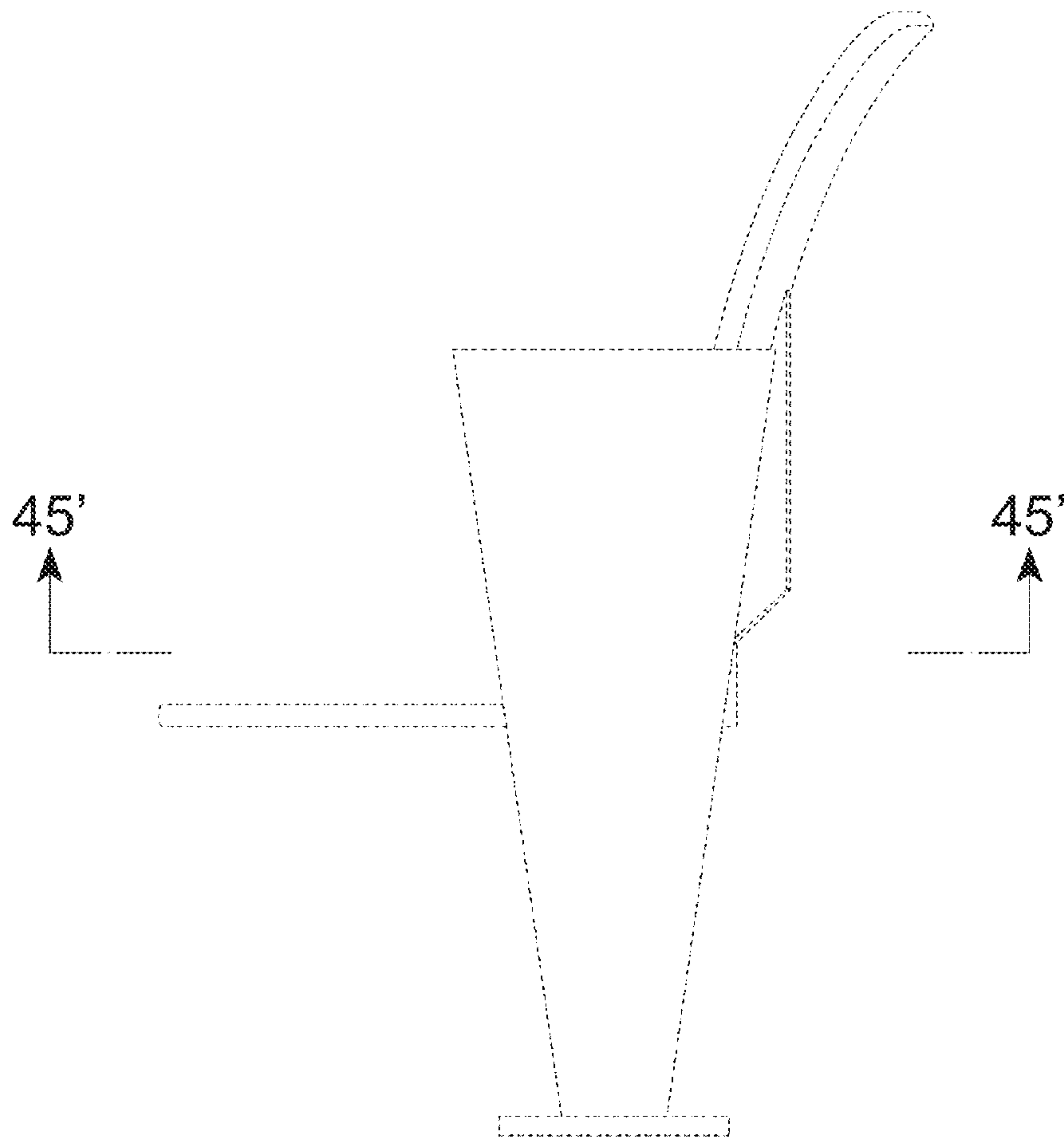


Fig.41

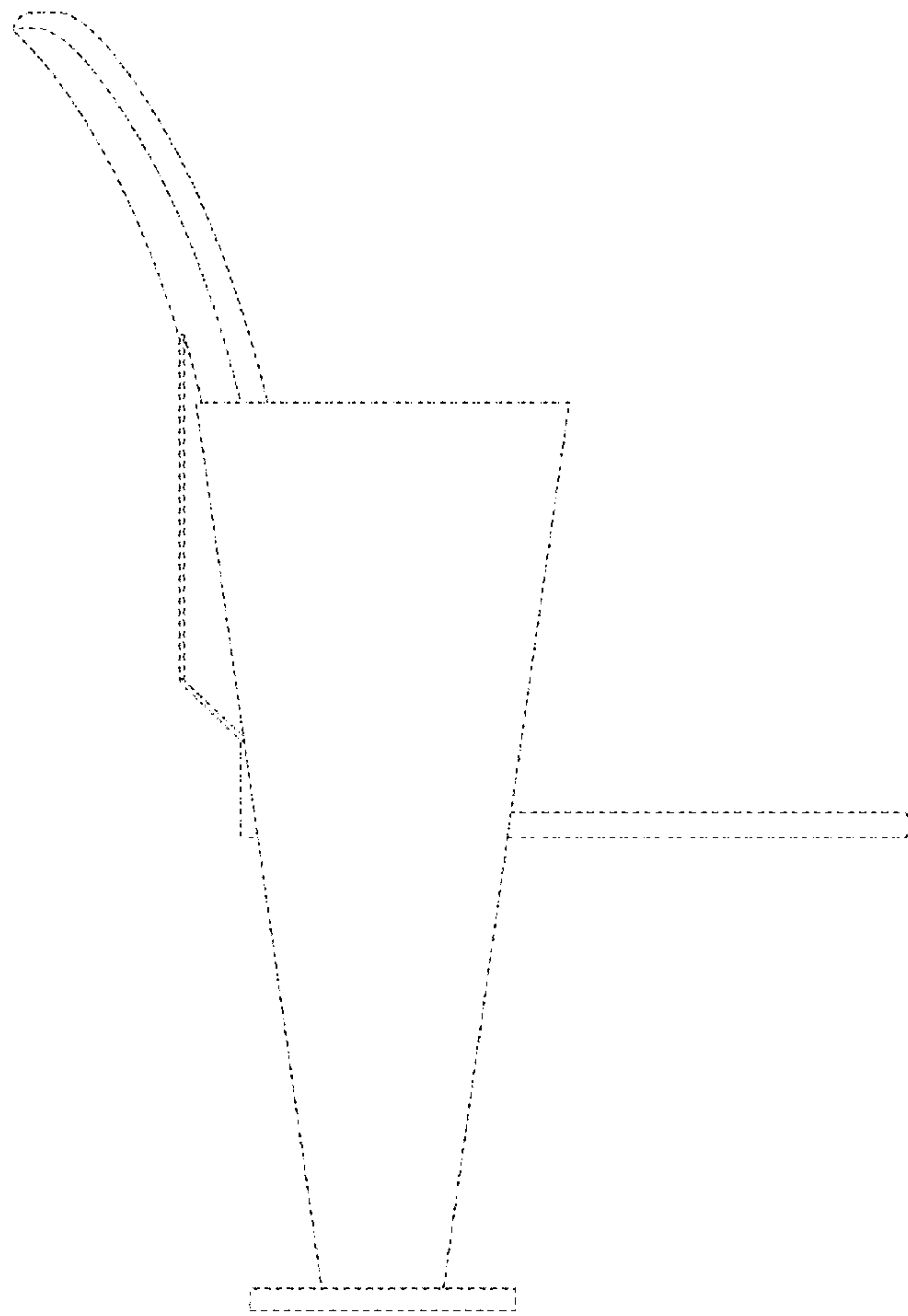


Fig.42



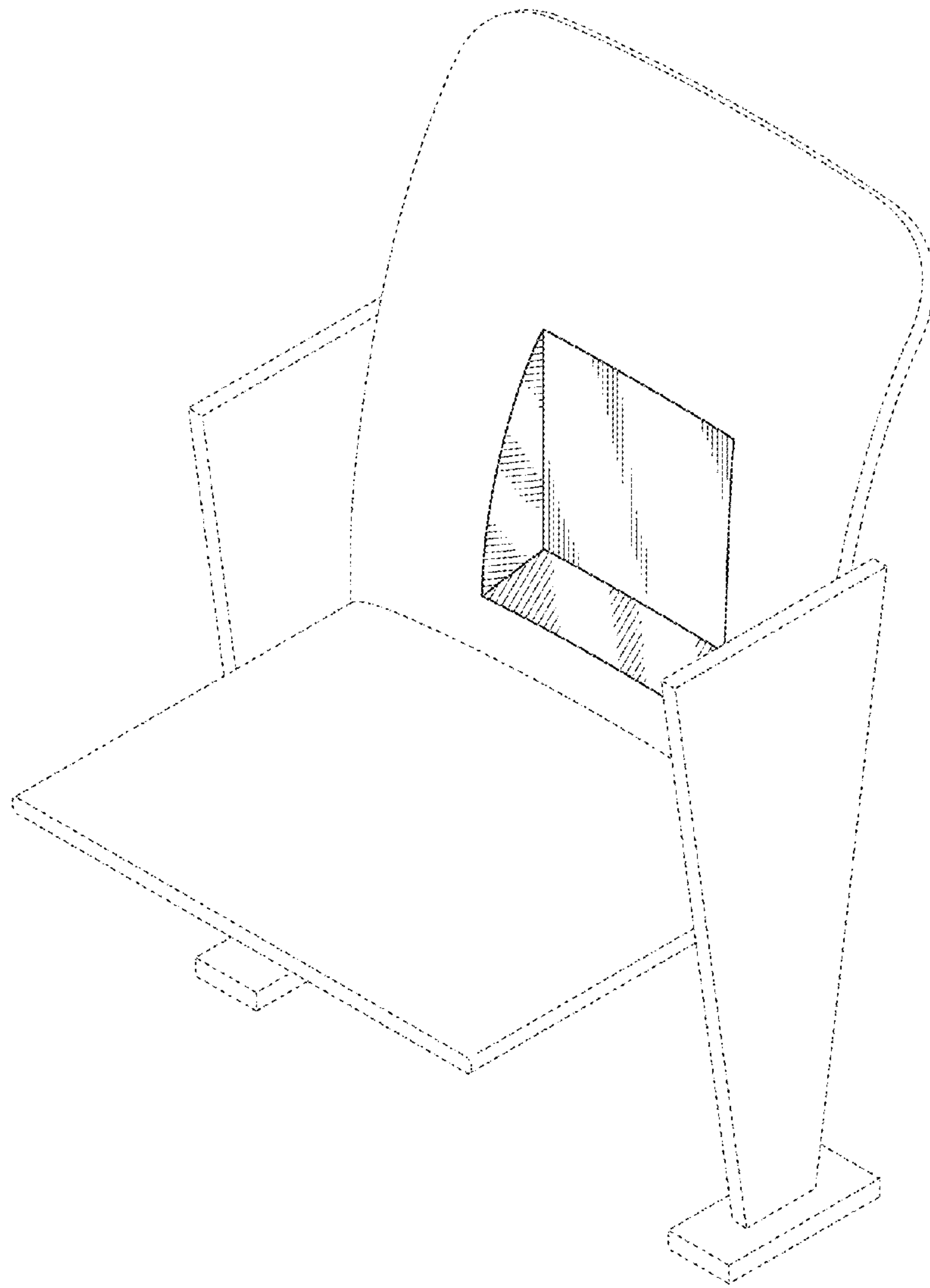


Fig.43

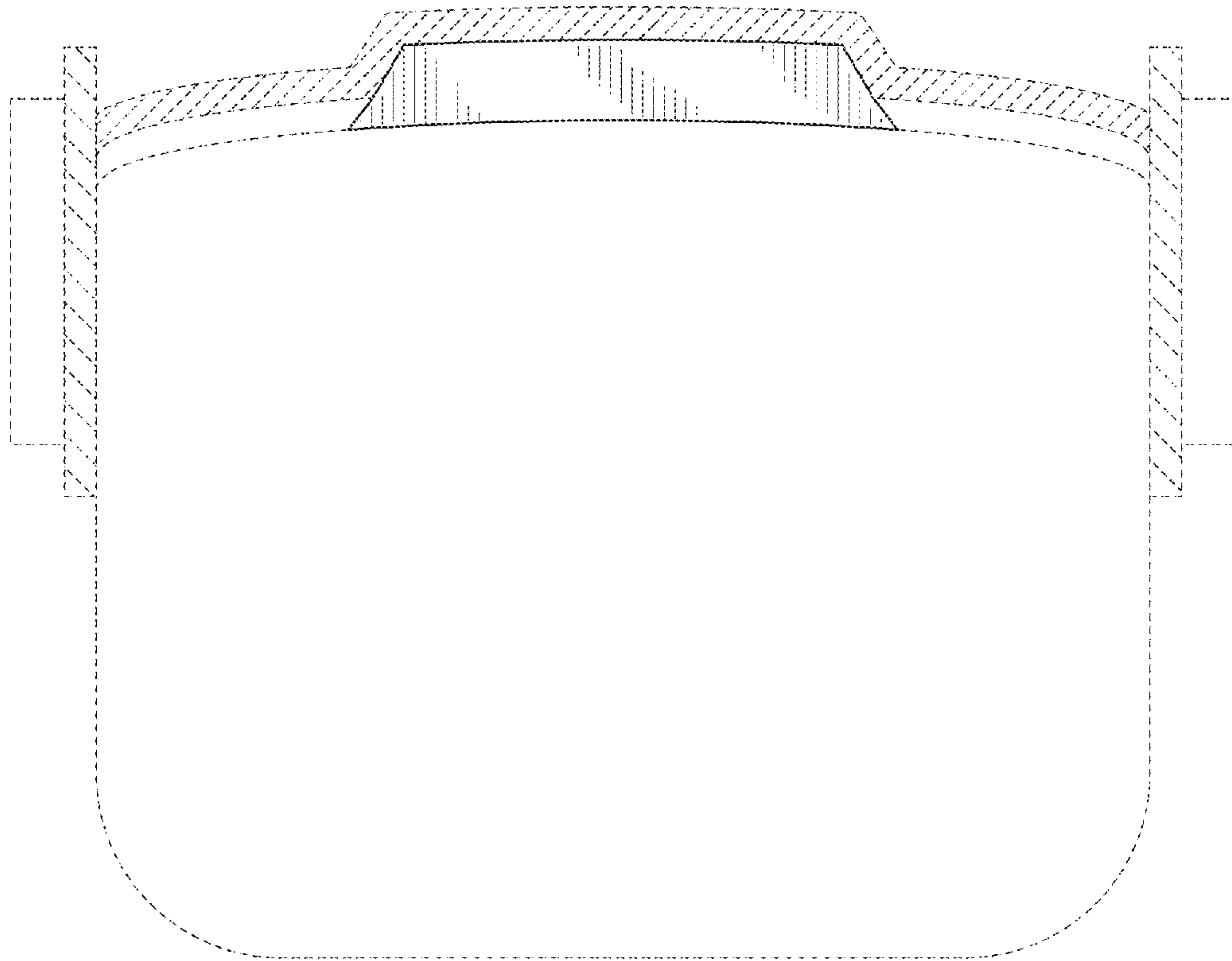


Fig.44

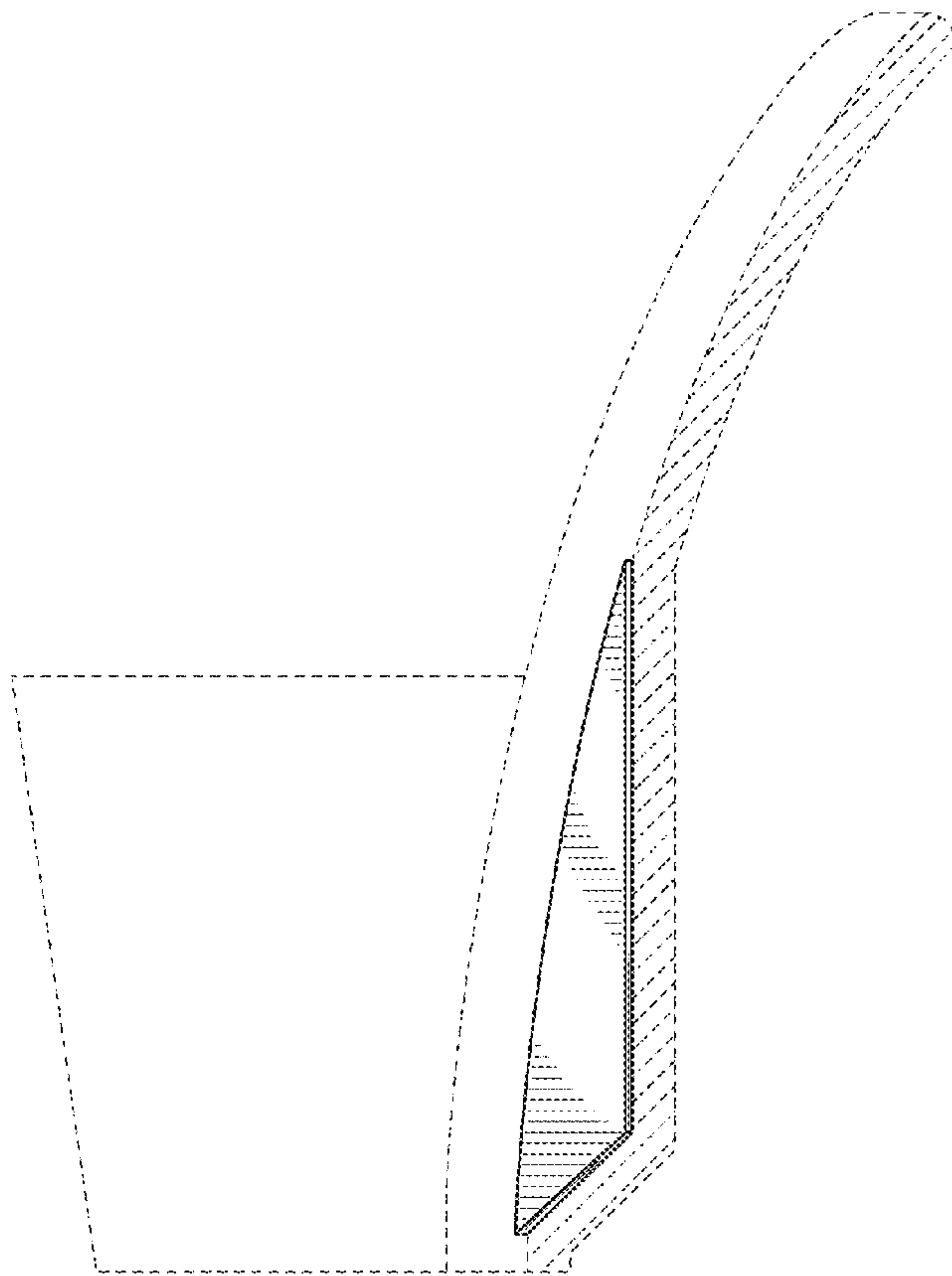


Fig.45