



US00D771424S

(12) **United States Design Patent** (10) **Patent No.:** **US D771,424 S**  
**Cantarutti et al.** (45) **Date of Patent:** **\*\* Nov. 15, 2016**

(54) **SEAT**

(71) Applicant: **FAST S.P.A.**, Vestone, Brescia (IT)

(72) Inventors: **Francesca Cantarutti**, Brescia (IT);  
**Robby Cantarutti**, Brescia (IT)

(73) Assignee: **FAST S.p.A.**, Vestone (Brescia) (IT)

(\*\*) Term: **15 Years**

(21) Appl. No.: **35/500,094**

(22) Filed: **May 18, 2015**

(80) **Hague Agreement Data**

Int. Filing Date: **May 18, 2015**

Int. Reg. No.: **DM/087140**

Int. Reg. Date: **May 18, 2015**

Int. Reg. Pub. Date: **Aug. 14, 2015**

(51) **LOC (10) Cl.** ..... **06-01**

(52) **U.S. Cl.**  
USPC ..... **D6/716**

(58) **Field of Classification Search**  
USPC ..... D6/334, 356, 366, 369-375, 716, 716.1,  
D6/716.2, 716.4  
CPC ..... A47C 1/14; A47C 3/16; A47C 4/02;  
A47C  
4/03; A47C 5/12; A47C 7/00; A47C 7/02;  
A47C 7/021; A47C 7/022; A47C 7/16;  
A47C  
7/40

See application file for complete search history.

(56) **References Cited**

U.S. PATENT DOCUMENTS

D192,165	S	*	2/1962	Brandon	.....	D6/375
D193,508	S	*	9/1962	Nakamura	.....	D6/375
5,018,788	A	*	5/1991	Cedergreen	.....	A47C 3/16 297/378.1
D342,404	S	*	12/1993	Homann	.....	D6/716
D344,200	S	*	2/1994	Schwartz	.....	D6/716.4
D448,189	S	*	9/2001	Jahn	.....	D6/368
D457,739	S	*	5/2002	Pearce	.....	D6/366
D611,265	S	*	3/2010	Ko	.....	D6/368
D649,804	S	*	12/2011	Keller	.....	D6/374
D683,559	S	*	6/2013	Weber	.....	D6/716
D707,052	S	*	6/2014	Radice	.....	D6/375
D735,512	S	*	8/2015	Chan	.....	D6/716.1

\* cited by examiner

*Primary Examiner* — Mary Ann Calabrese

(74) *Attorney, Agent, or Firm* — Thomas | Horstemeyer,  
LLP

(57) **CLAIM**

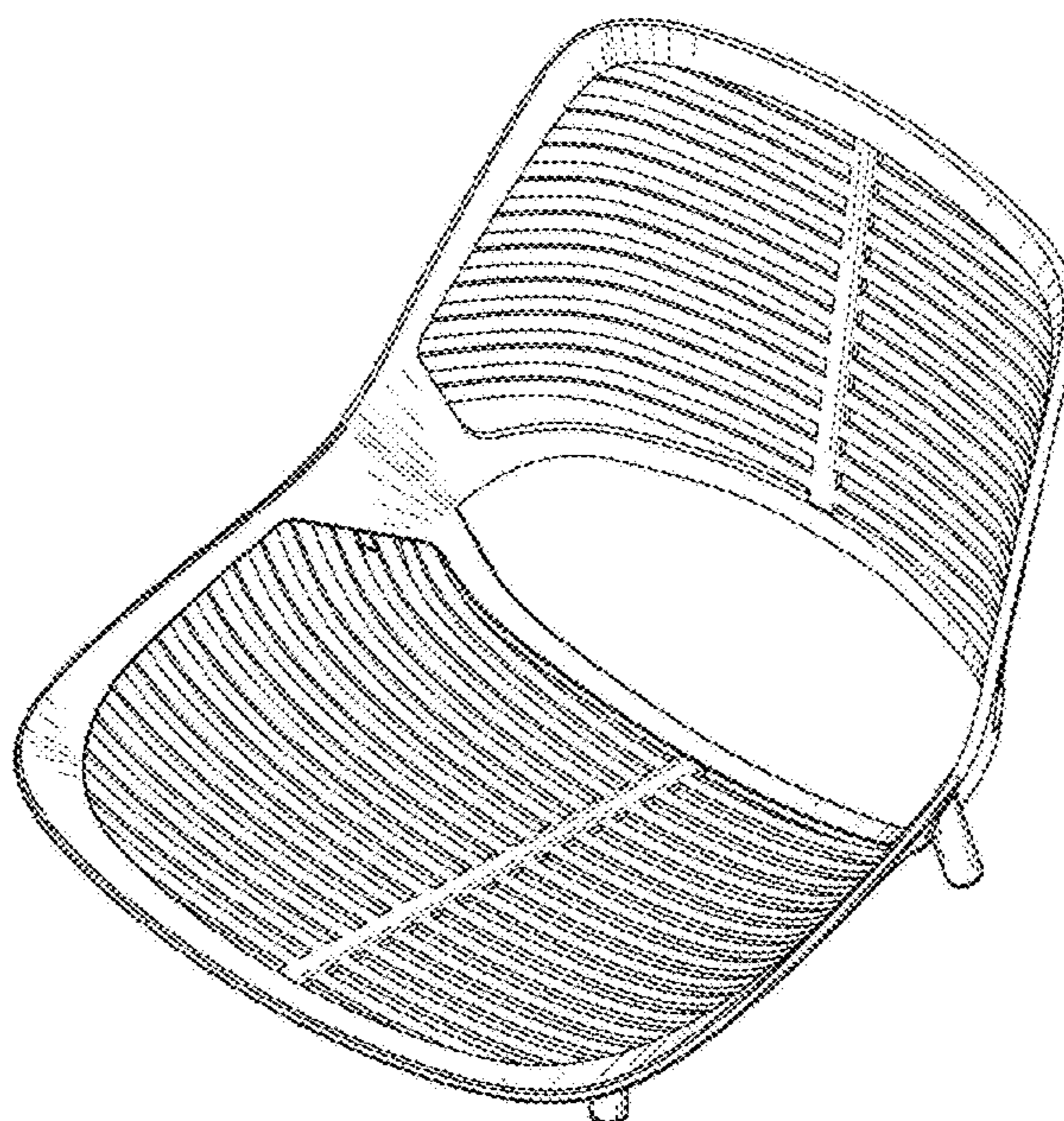
The ornamental design for a seat, as shown and described.

**DESCRIPTION**

- 1.1 is a perspective view;
- 1.2 is a left side view;
- 1.3 is a right side view;
- 1.4 is front view;
- 1.5 is a rear view;
- 1.6 is a top view; and
- 1.7 is a bottom view.

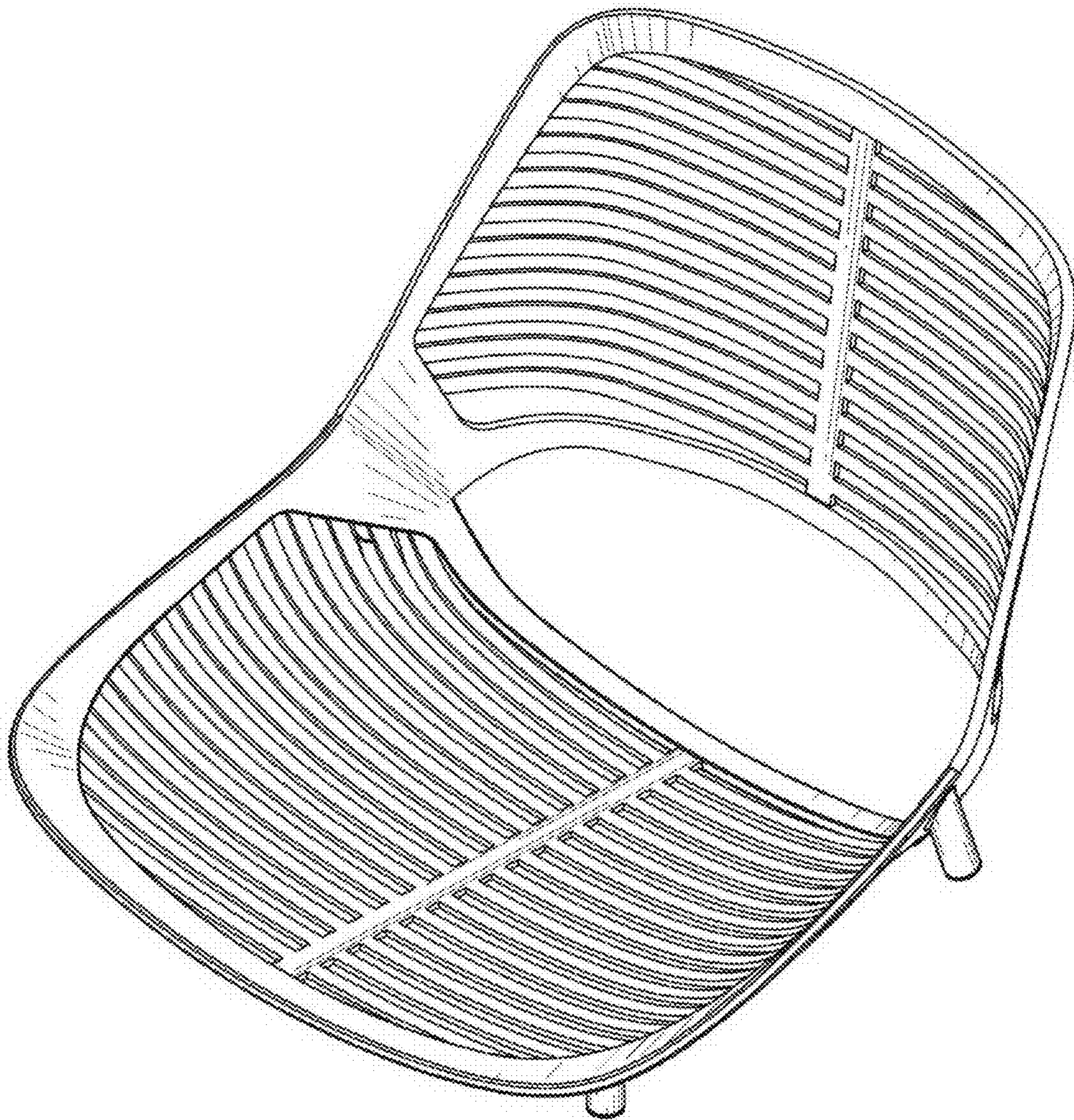
The broken line showing of portions of the seat in the figures is included for the purpose of illustrating environmental structure and forms no part of the claimed design.

**1 Claim, 7 Drawing Sheets**



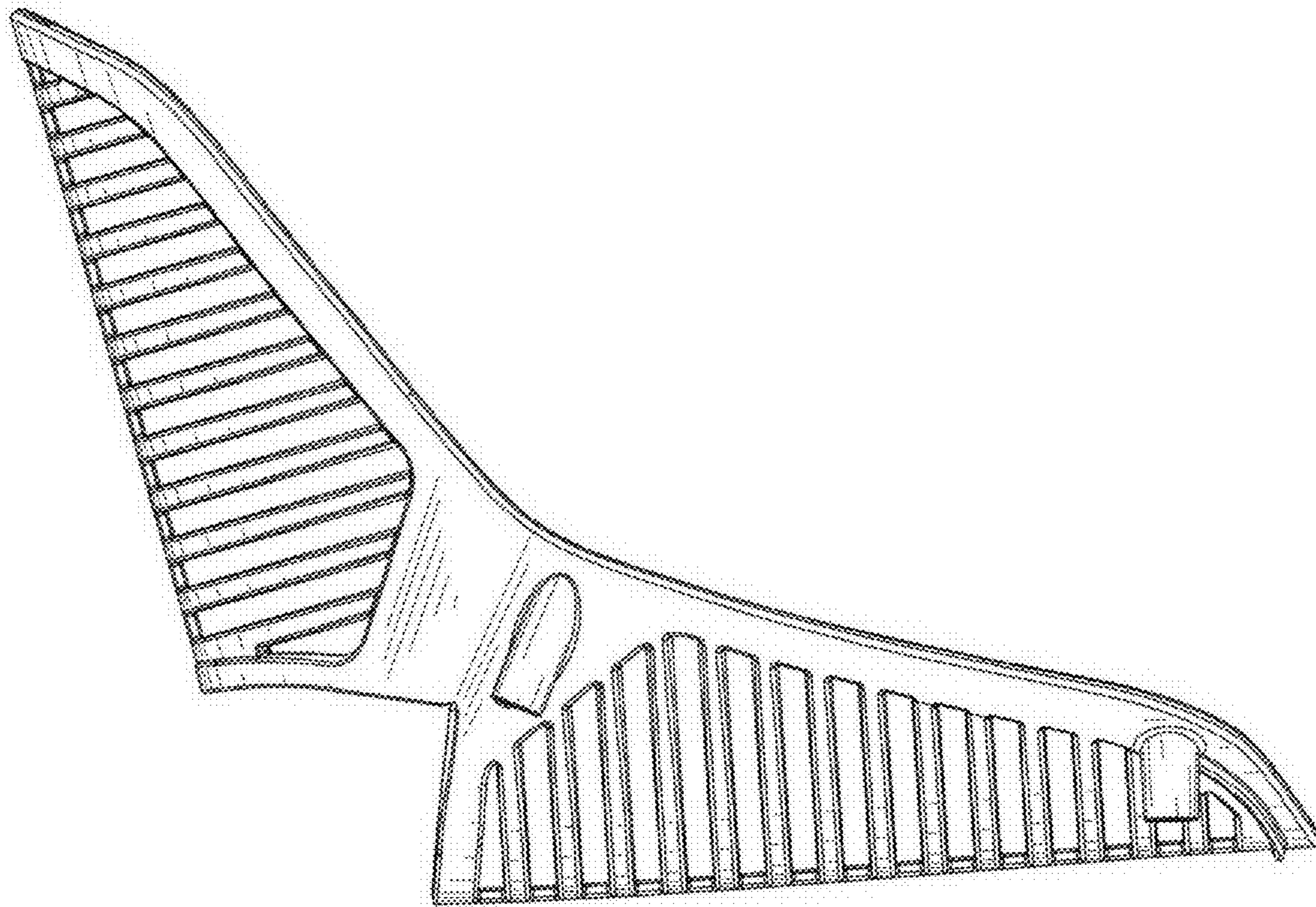


1.1

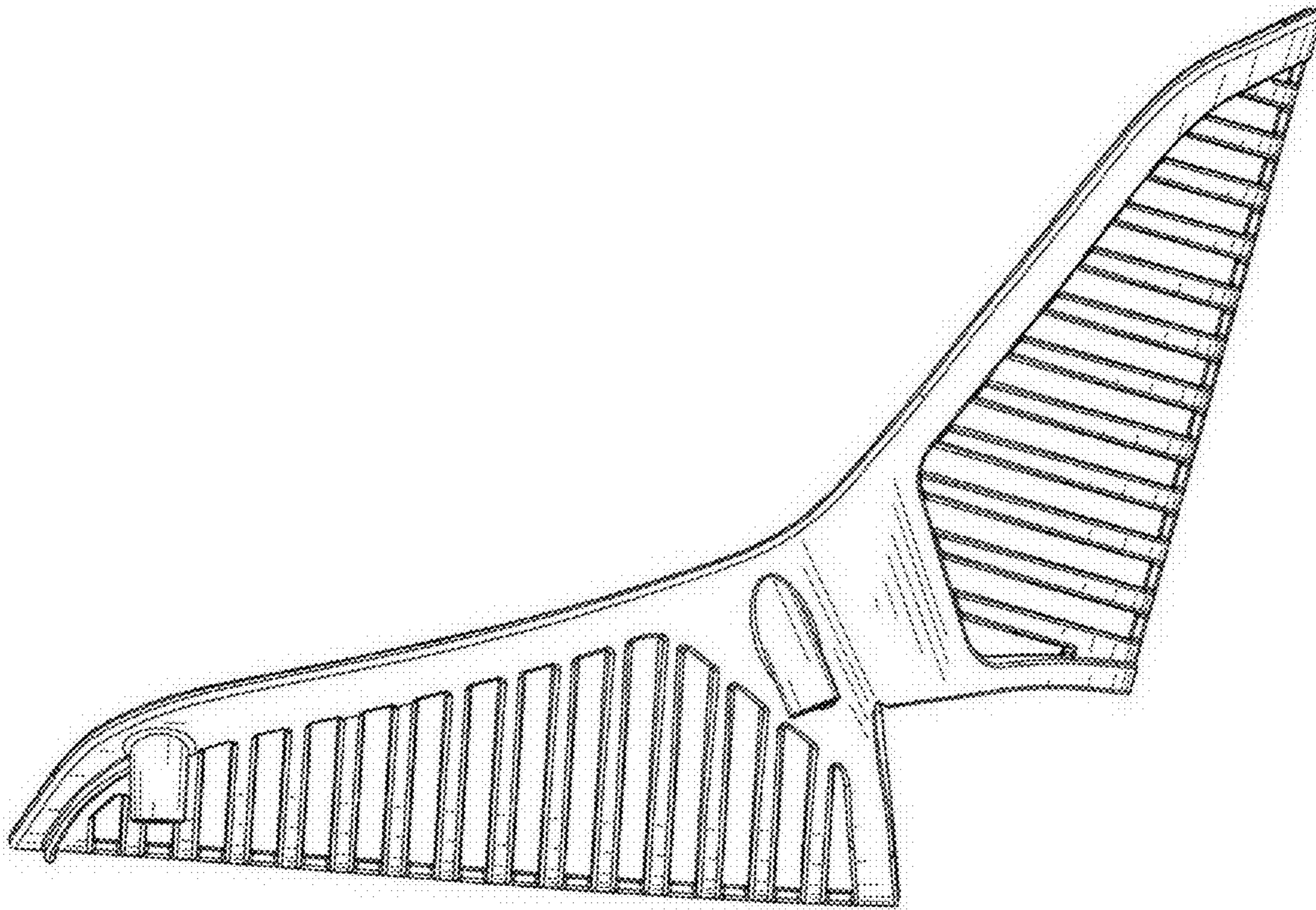




1.2

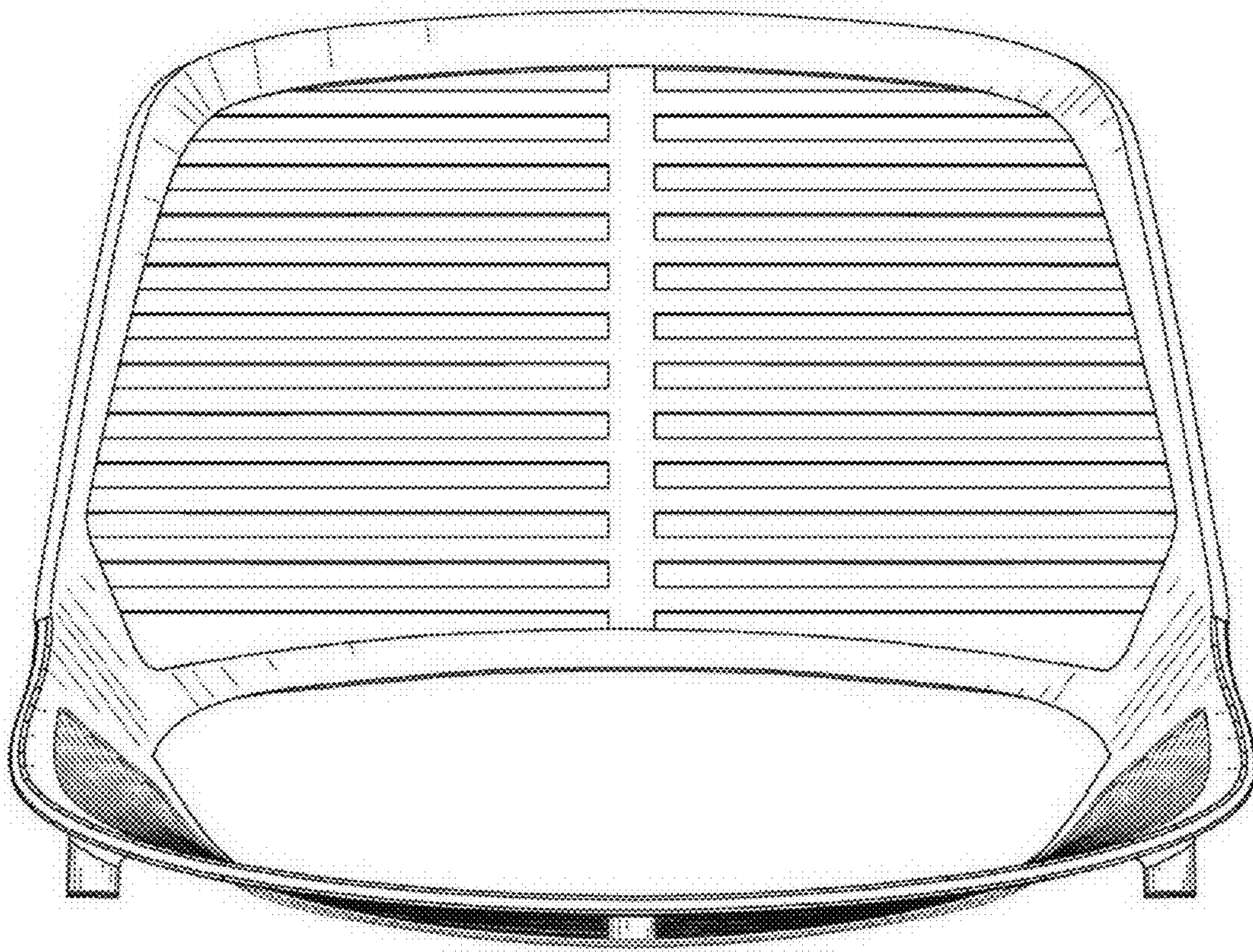


1.3



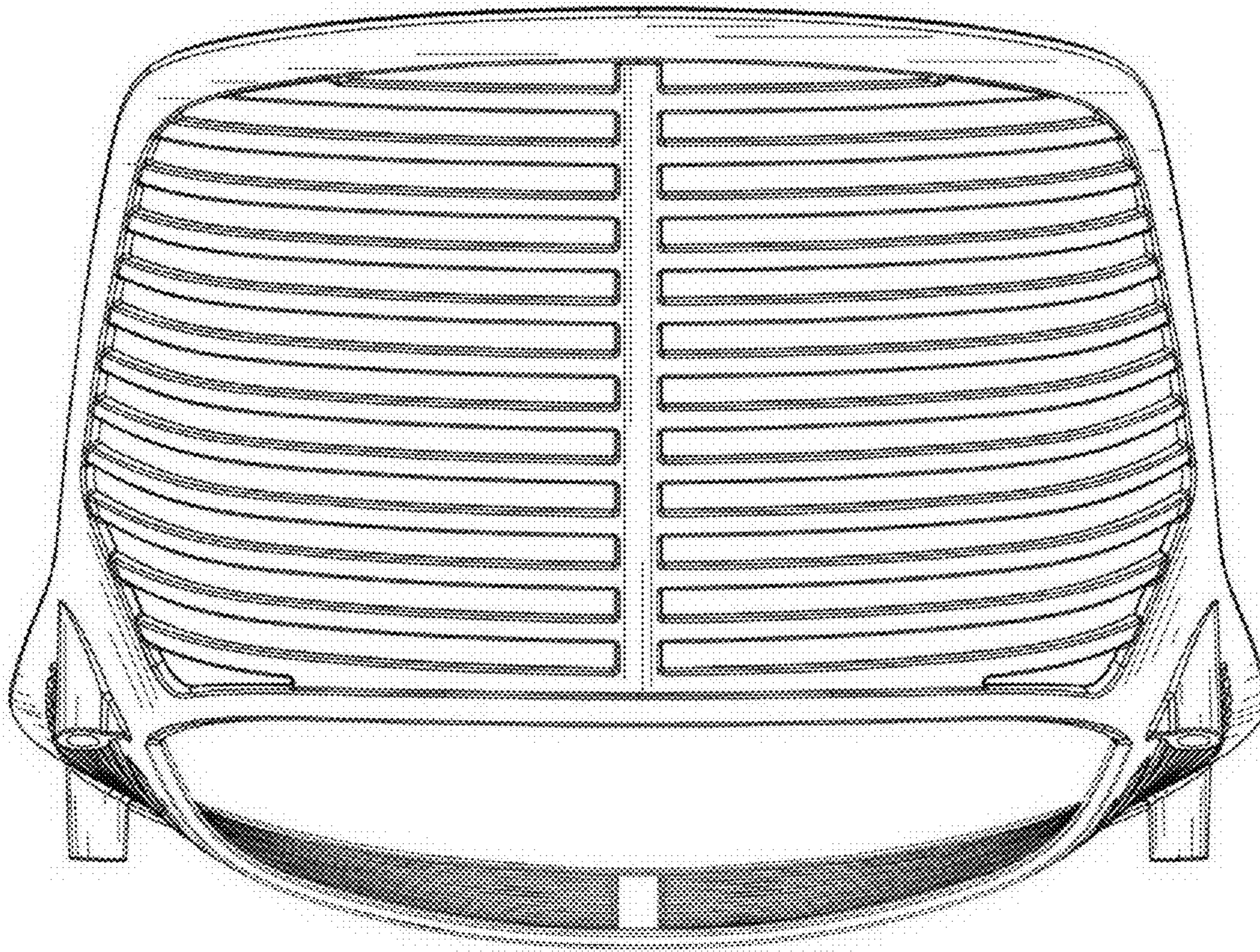


1.4



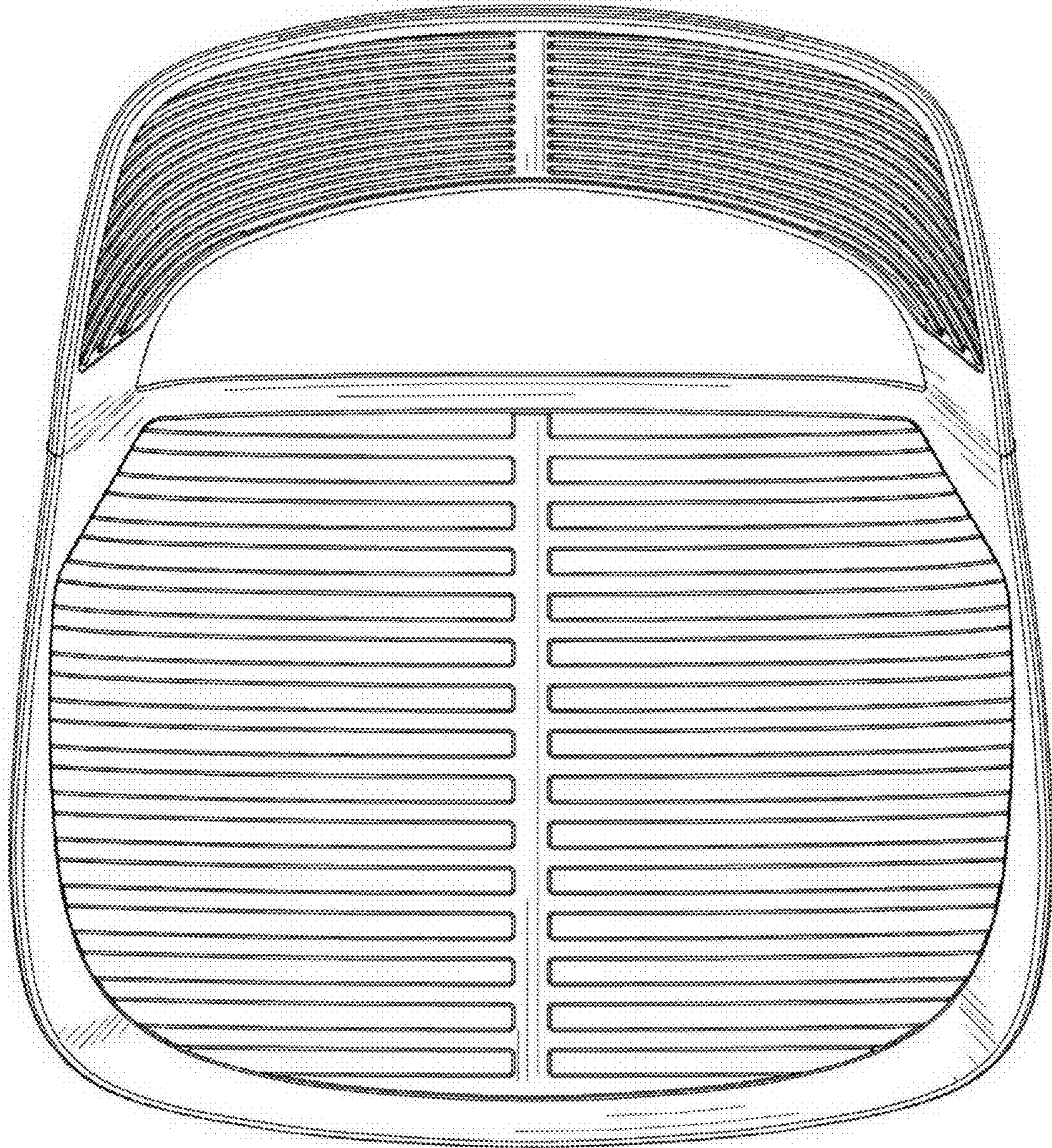


1.5





1.6





1.7

