



US00D771423S

(12) **United States Design Patent** (10) **Patent No.:** **US D771,423 S**
Kubryk (45) **Date of Patent:** **** Nov. 15, 2016**

(54) **LOUNGE CHAIR**
(71) Applicant: **Isaac Kubryk**, Lockeford, CA (US)
(72) Inventor: **Isaac Kubryk**, Lockeford, CA (US)
(73) Assignee: **Global Allies, LLC**, Lockeford, CA (US)
(**) Term: **14 Years**
(21) Appl. No.: **29/521,654**
(22) Filed: **Mar. 25, 2015**
(51) **LOC (10) Cl.** **06-01**
(52) **U.S. Cl.**
USPC **D6/716**
(58) **Field of Classification Search**
USPC D6/334-336, 360-381, 716, 716.1, D6/716.4, 717
CPC A47C 3/023; A47C 3/04; A47C 3/12; A47C 3/14; A47C 4/02; A47C 4/03; A47C 4/04; A47C 5/04; A47C 5/06; A47C 7/00; A47C 7/40; A47C 7/62; B60N 2/68; B60N 2/70
See application file for complete search history.

(56) **References Cited**
U.S. PATENT DOCUMENTS
D213,438 S * 3/1969 Koch D6/374
D236,670 S * 9/1975 Uyeda D6/375

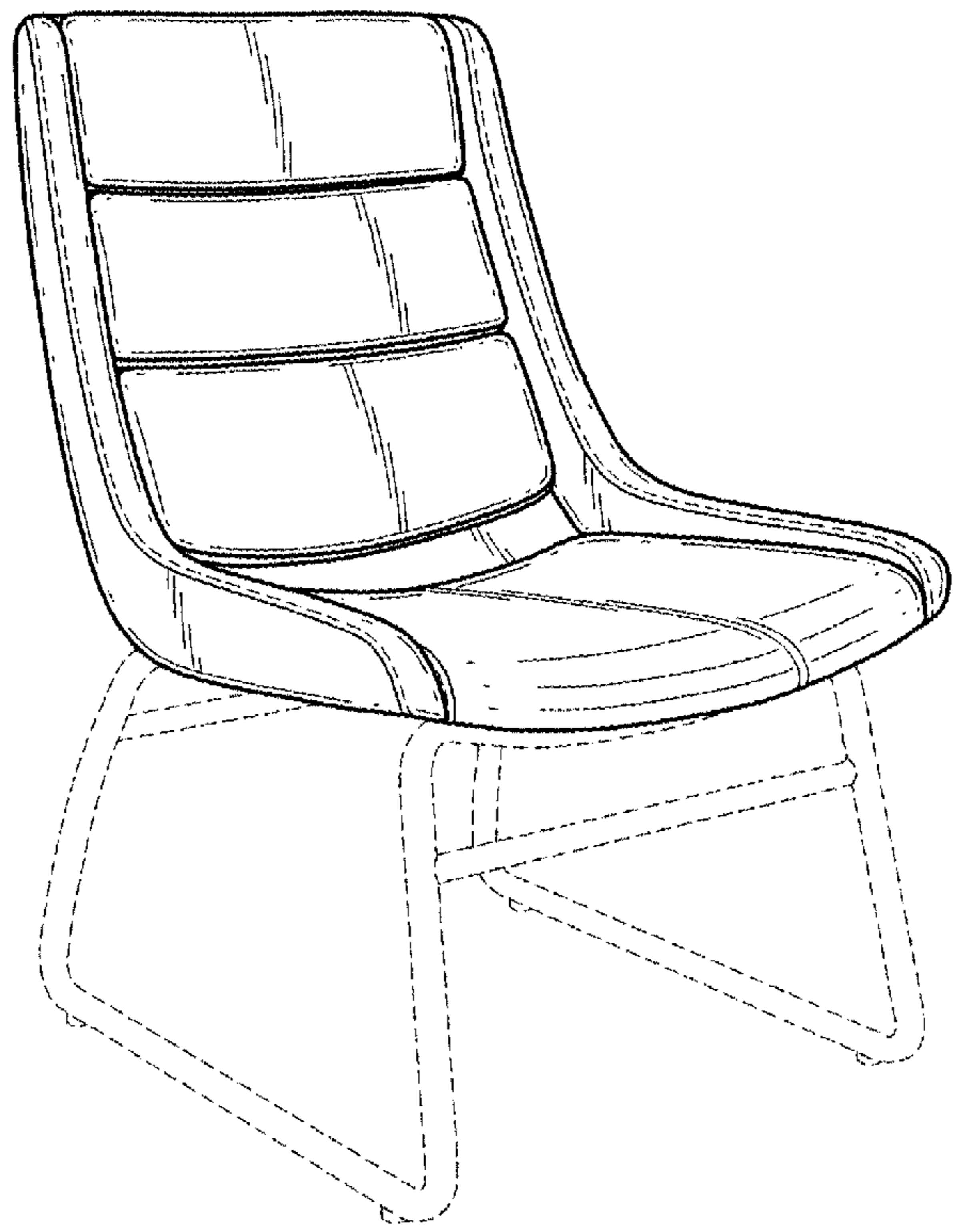
D427,444 S * 7/2000 Risdall D6/375
D555,379 S * 11/2007 Ziliani D6/375
D573,363 S * 7/2008 Pillet D6/375
D617,568 S * 6/2010 Kumazawa D6/373
D648,562 S * 11/2011 Lievore D6/375
D663,975 S * 7/2012 Kubryk D6/366
D665,593 S * 8/2012 Morrison D6/375
D669,701 S * 10/2012 Starck D6/375
D729,538 S * 5/2015 Kotilainen D6/375
D761,606 S * 7/2016 Piretti D6/380
D762,999 S * 8/2016 Huang D6/375

* cited by examiner
Primary Examiner — Ricky Pham
(74) *Attorney, Agent, or Firm* — Audrey A. Millemann; Weintraub Tobin

(57) **CLAIM**
The ornamental design for a lounge chair, as shown and described.

DESCRIPTION
FIG. 1 is a perspective view of a lounge chair, looking toward the right front corner, showing my new design; FIG. 2 is a front view thereof; FIG. 3 is a right side view, the left side view being a mirror image thereof; FIG. 4 is a back view thereof; FIG. 5 is a top view thereof; and, FIG. 6 is a bottom view thereof.
The broken lines shown in the drawing are for illustrative purposes only and form no part of the claimed design.

1 Claim, 5 Drawing Sheets



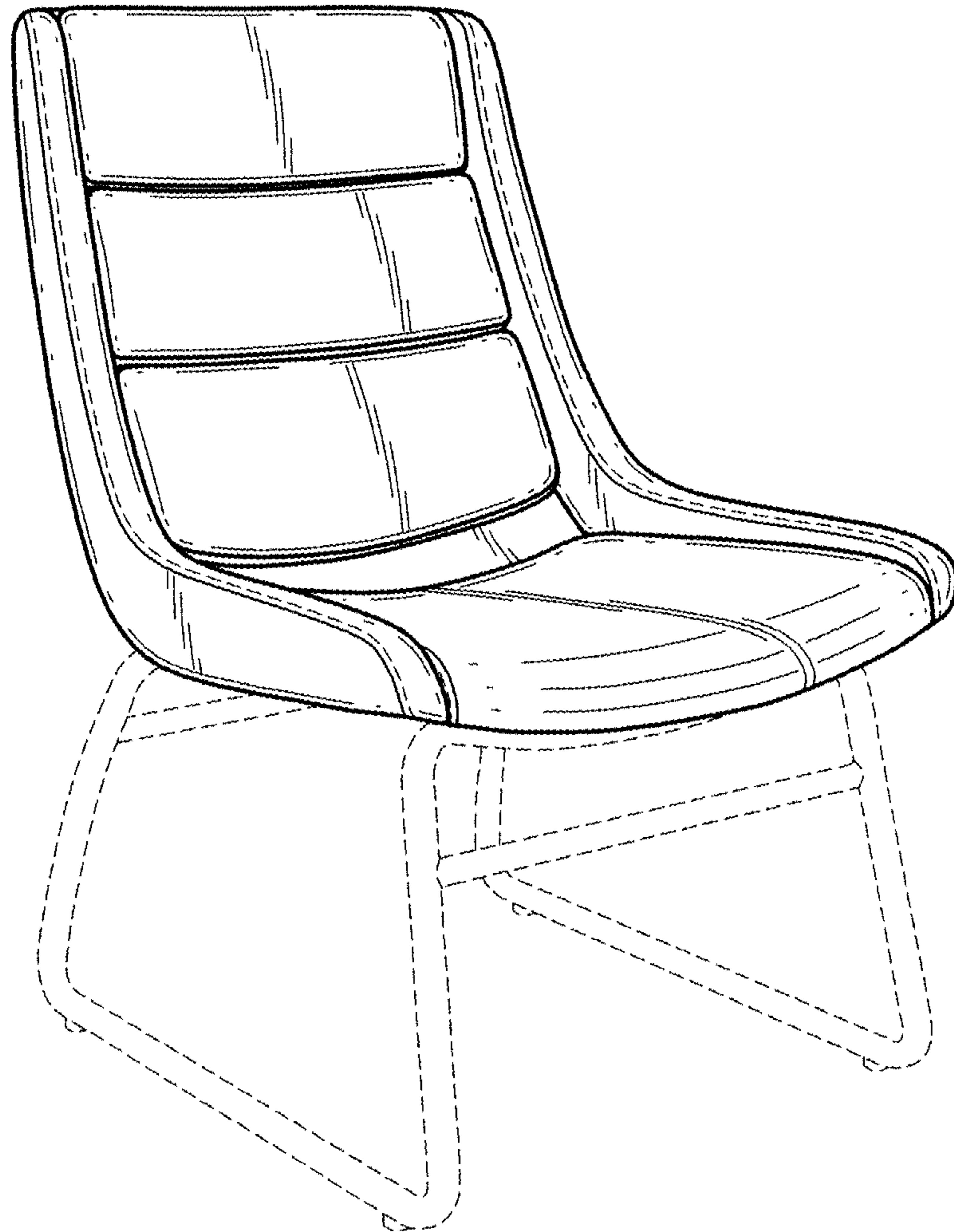


FIG. 1

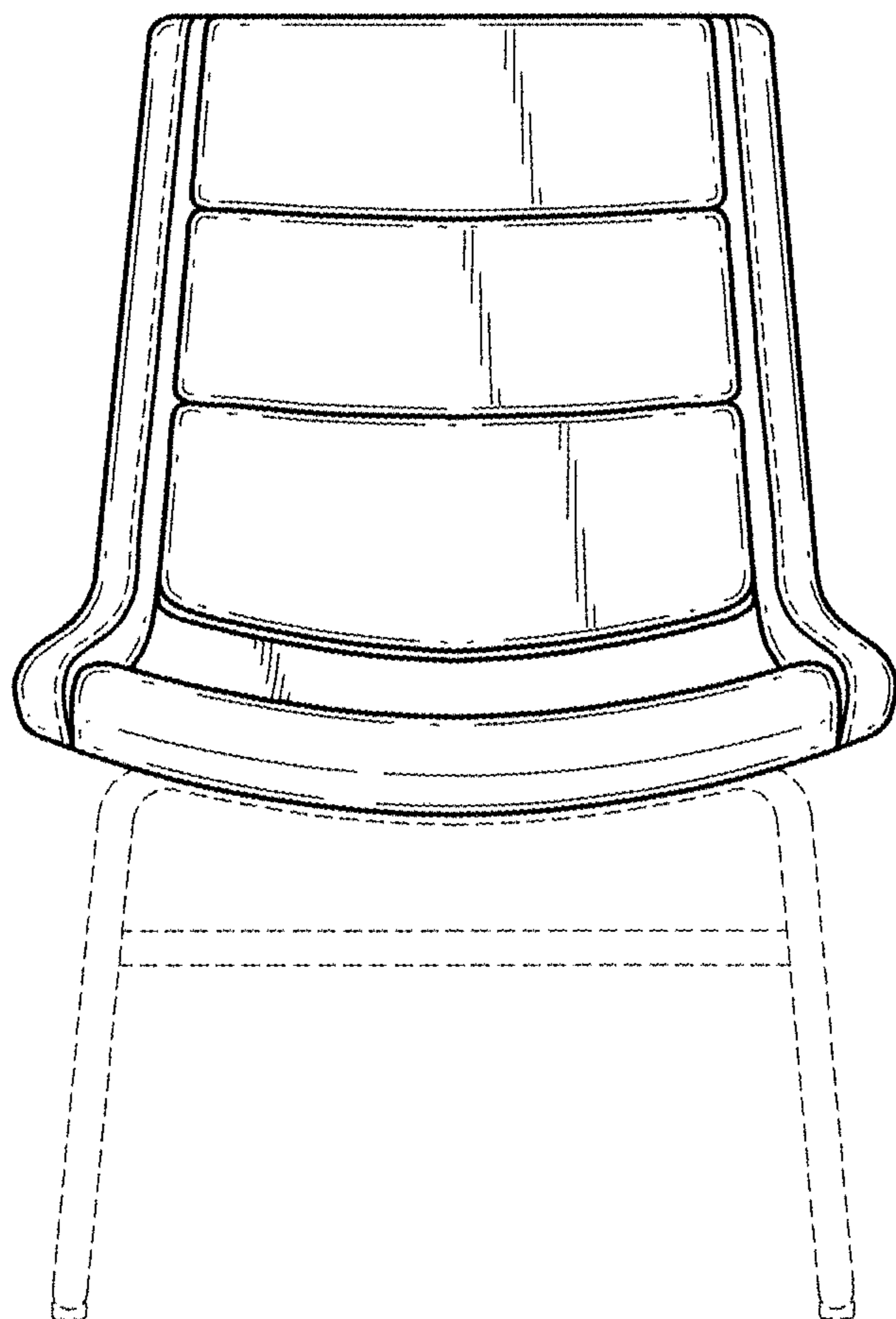


FIG. 2

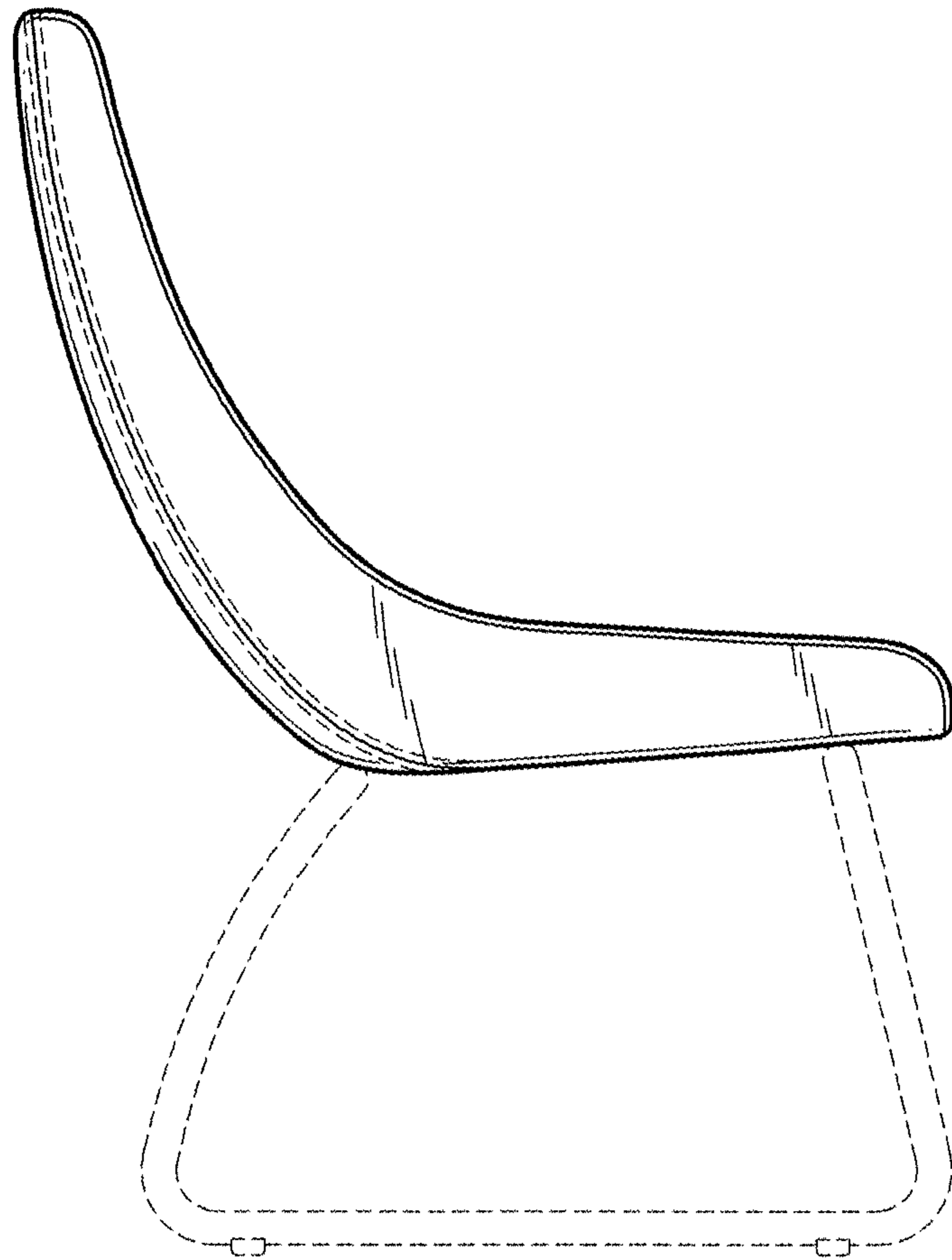


FIG. 3

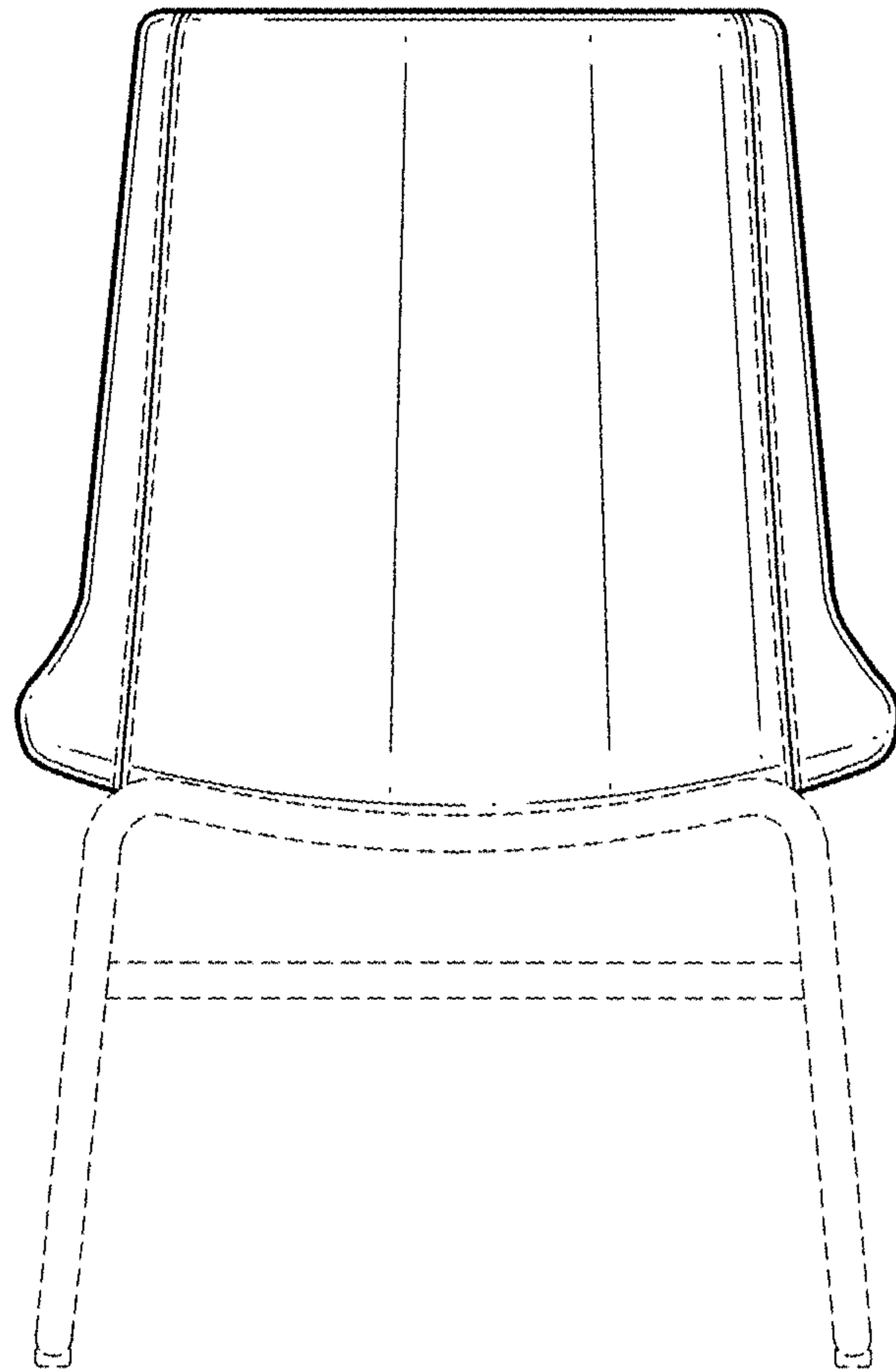


FIG. 4

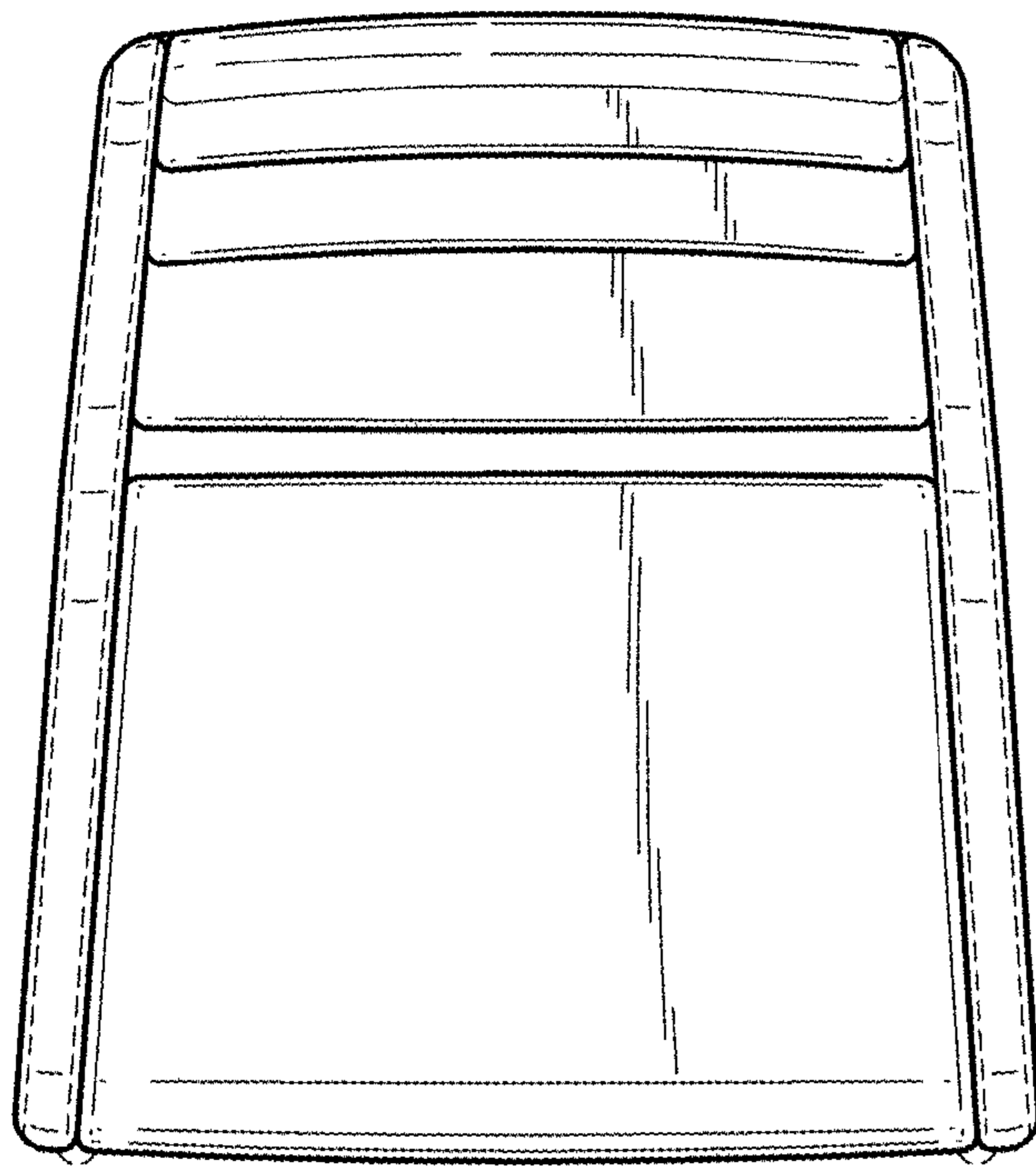


FIG. 5

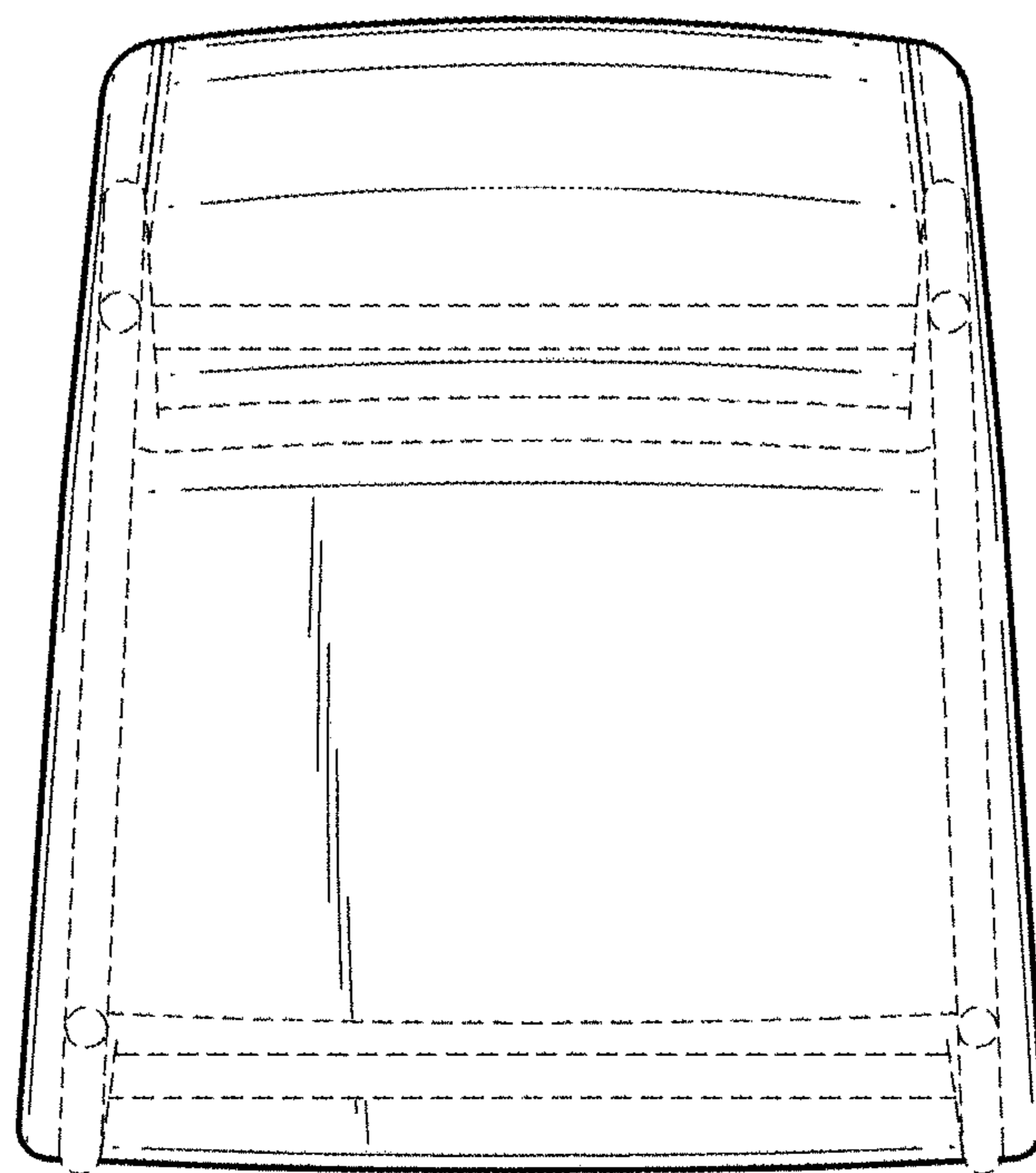


FIG. 6