



US00D771422S

(12) **United States Design Patent**
Greenwood

(10) **Patent No.:** **US D771,422 S**

(45) **Date of Patent:** **** Nov. 15, 2016**

(54) **SPICE DRAWER LINER**

(71) Applicant: **Youcopia Products, Inc.**, Chicago, IL
(US)

(72) Inventor: **Mark Greenwood**, Arlington Heights,
IL (US)

(73) Assignee: **YouCopia Products Inc.**, Chicago, IL
(US)

(**) Term: **14 Years**

(21) Appl. No.: **29/519,826**

(22) Filed: **Mar. 9, 2015**

(51) **LOC (10) Cl.** **06-06**

(52) **U.S. Cl.**
USPC **D6/706**

(58) **Field of Classification Search**
USPC D6/706, 705.7, 705.2, 682.4, 678.2;
D7/550.1, 553.1, 553.2; 211/59.4, 59.2
CPC A47B 45/00; A47F 1/00; B65D 21/08;
B65D 81/3813; B65D 87/0276; B65B 1/34
See application file for complete search history.

(56) **References Cited**

U.S. PATENT DOCUMENTS

- 4,478,337 A * 10/1984 Flum A47F 1/12
206/564
- D411,070 S * 6/1999 Jongwatana D6/630
- D454,749 S * 3/2002 Georgiadis D6/629
- D461,100 S * 8/2002 Poarch D7/553.1
- 6,648,138 B1 * 11/2003 Kelly A63B 47/002
206/315.9
- D494,394 S * 8/2004 Leong-Son D6/706

- D498,376 S * 11/2004 Christopher D6/629
- D653,075 S * 1/2012 Lupkes D7/359
- D660,085 S * 5/2012 Boone D7/553.2
- D660,650 S * 5/2012 Moore D7/553.2
- D673,391 S * 1/2013 Whitehead D6/682.4
- D676,711 S * 2/2013 Toufayan D7/553.2
- D679,952 S * 4/2013 Holding D7/550.1
- D702,998 S * 4/2014 Fugere D7/409
- D705,585 S * 5/2014 Kim D6/705.7
- D732,864 S * 6/2015 Clouse D6/705.7
- D761,602 S * 7/2016 Standlee D6/682.4
- 2007/0125357 A1 * 6/2007 Johnston A47J 37/0694
126/41 R
- 2015/0359358 A1 * 12/2015 Miller, Jr. A47F 5/005
211/59.2

* cited by examiner

Primary Examiner — Rosemary K Tarcza

Assistant Examiner — James Thorn, Sr.

(74) *Attorney, Agent, or Firm* — Knechtel, Demeur &
Samlan

(57) **CLAIM**

I claim the ornamental design for a spice drawer liner, as shown and described.

DESCRIPTION

FIG. 1 is a top perspective view of a spice drawer liner showing the new design thereof.

FIG. 2 is a bottom perspective view thereof.

FIG. 3 is a front side elevational view thereof.

FIG. 4 is a back side elevational view thereof.

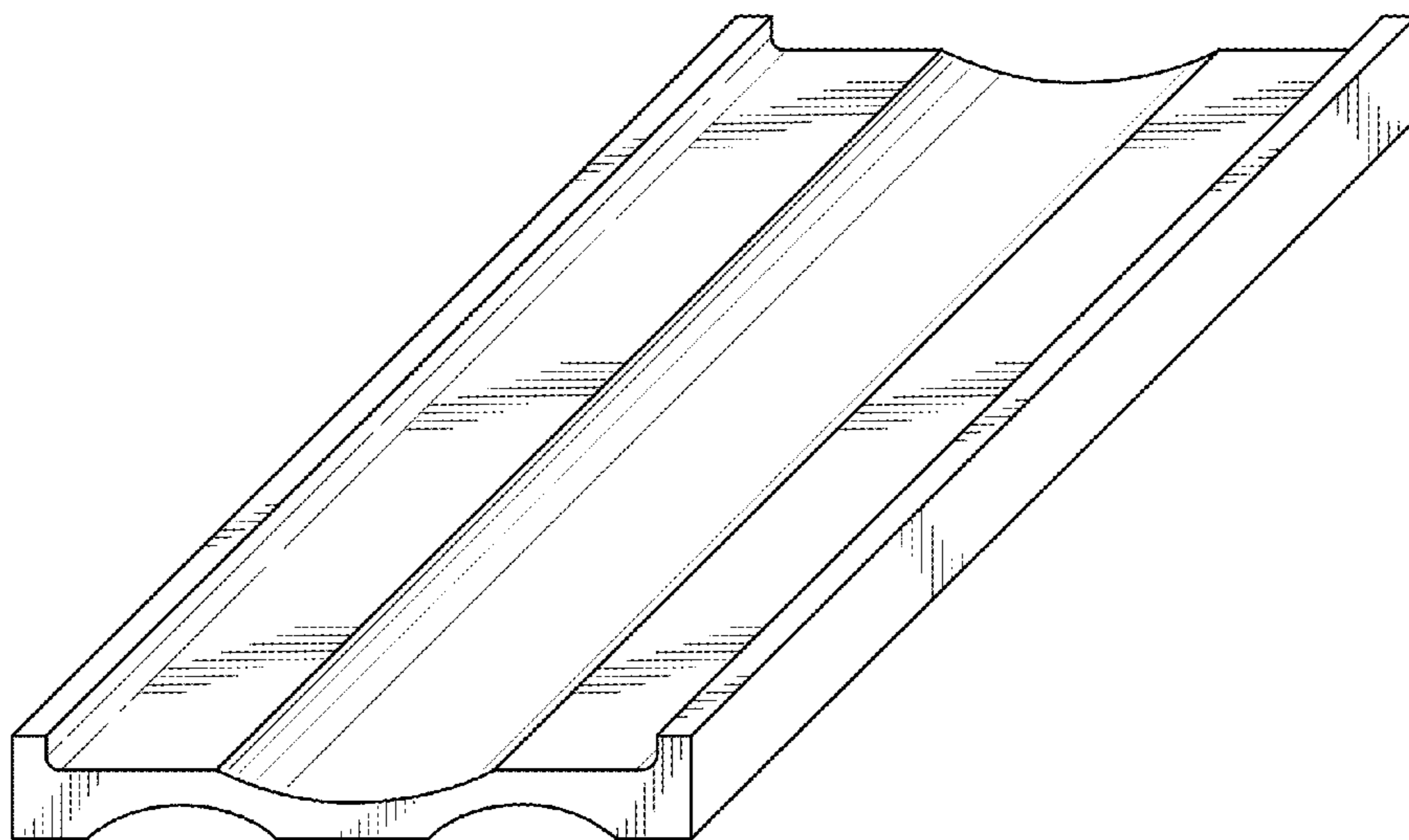
FIG. 5 is a top side elevational view thereof.

FIG. 6 is a bottom side elevational view thereof.

FIG. 7 is a left side elevational view thereof; and,

FIG. 8 is a right side elevational view thereof.

1 Claim, 3 Drawing Sheets



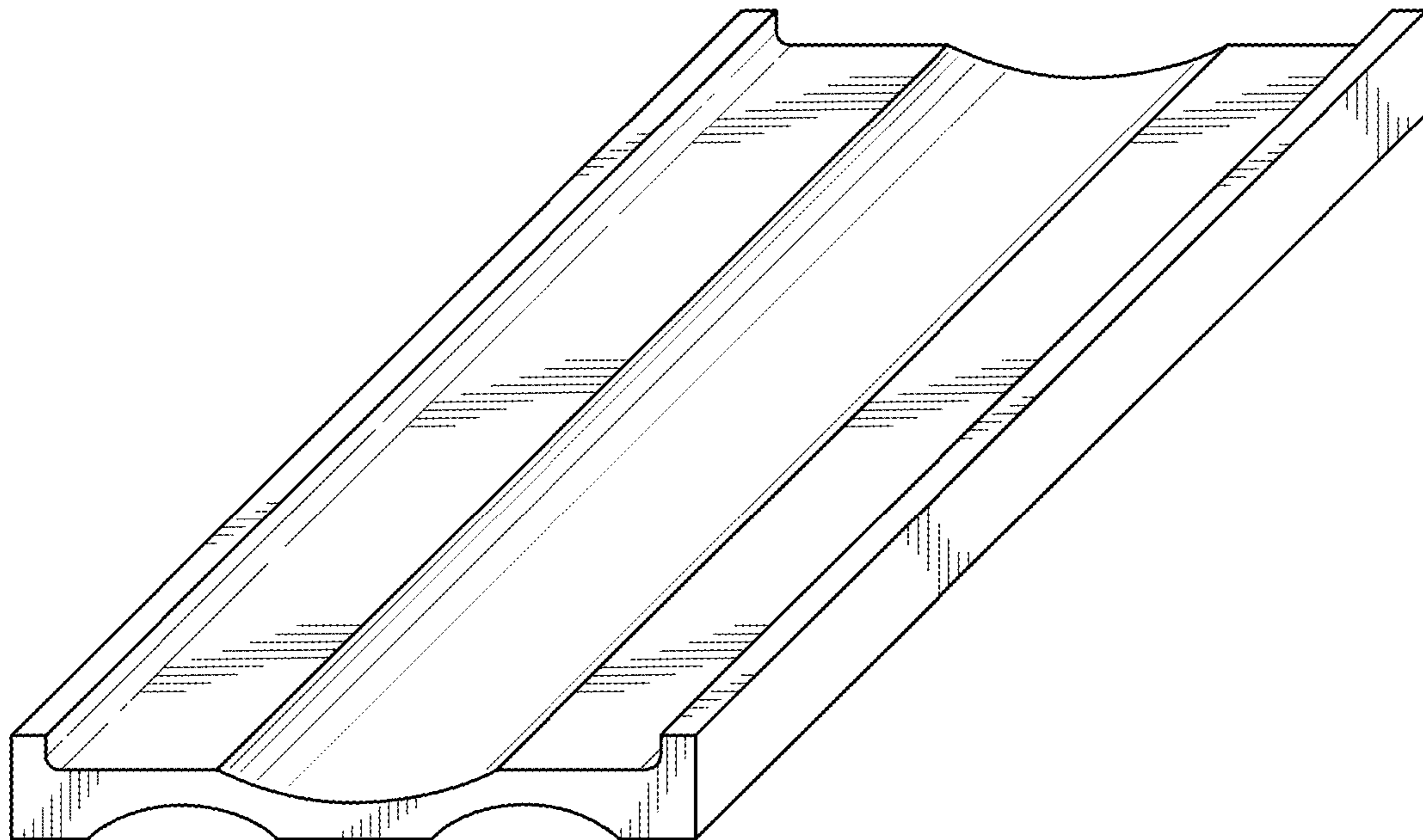


FIG. 1

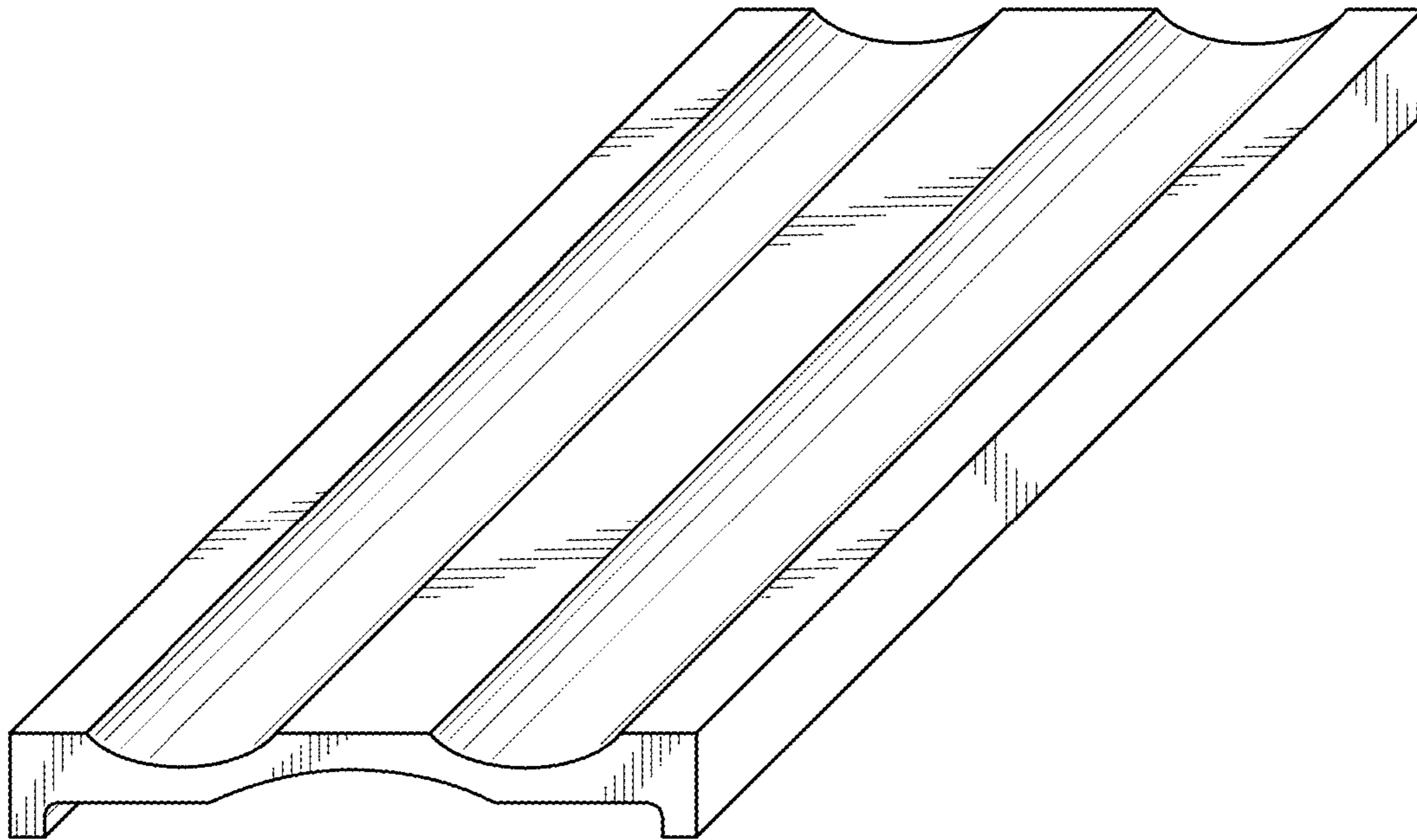


FIG. 2



FIG. 3



FIG. 4

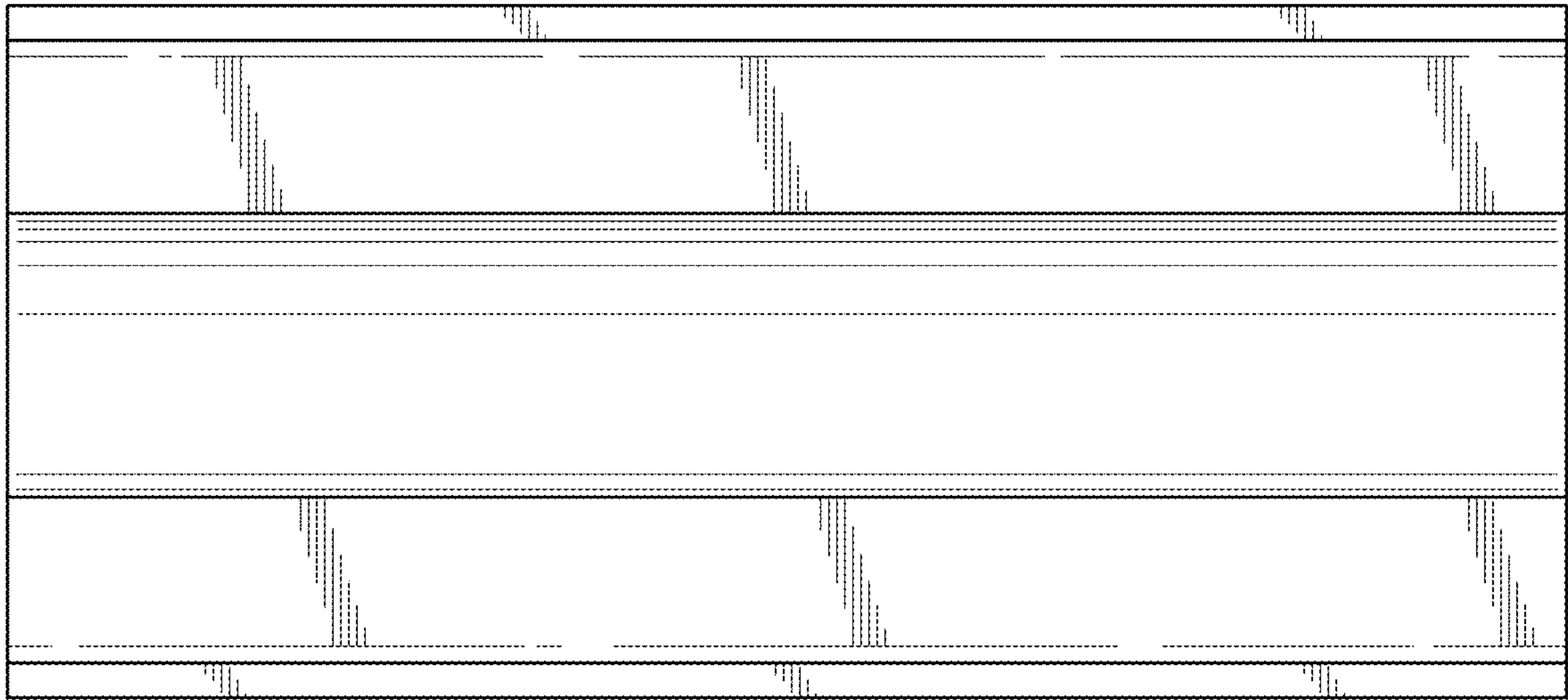


FIG. 5

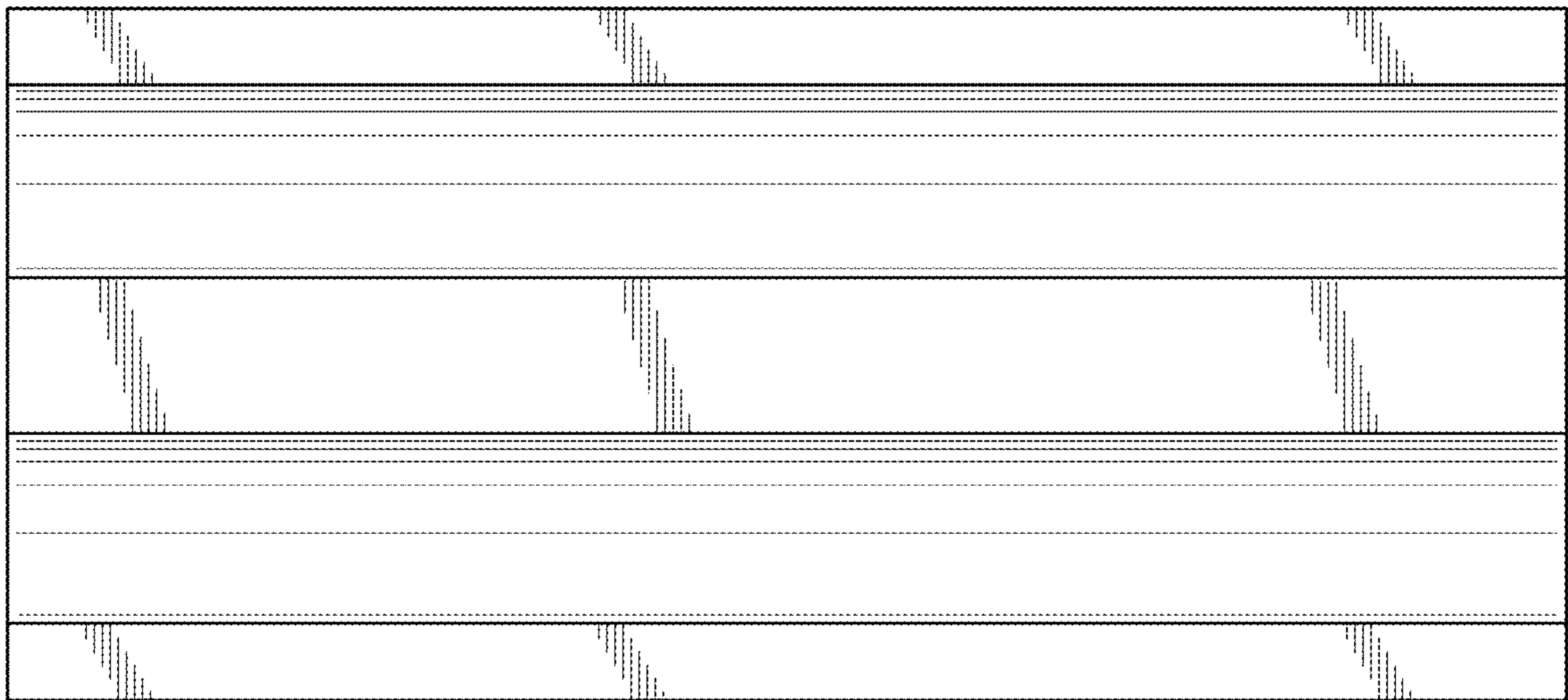


FIG. 6



FIG. 7

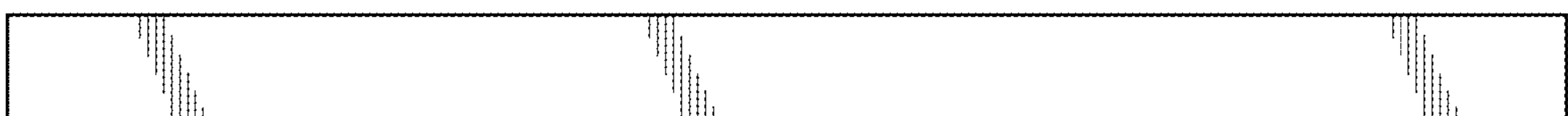


FIG. 8