



US00D771421S

(12) **United States Design Patent** (10) **Patent No.:** **US D771,421 S**  
**Garcia** (45) **Date of Patent:** **\*\* Nov. 15, 2016**

(54) <b>TABLE</b>	4,188,983 A * 2/1980 Graham ..... A47G 7/08 139/424
(71) Applicant: <b>Baker, Knapp &amp; Tubbs, Inc.</b> , Hickory, NC (US)	D324,140 S * 2/1992 Kuntz ..... D6/680 D342,843 S * 1/1994 Kuntz ..... D6/677 D410,352 S * 6/1999 Fore ..... D6/675 D460,641 S * 7/2002 O'Hare ..... D6/708.15 D495,174 S * 8/2004 Lenger ..... D6/707.22 D497,745 S * 11/2004 Lenger ..... D6/696.1
(72) Inventor: <b>Jacques Garcia</b> , Paris (FR)	D513,677 S * 1/2006 Gehry ..... D6/349 D595,968 S * 7/2009 Korban ..... D6/349 D663,969 S * 7/2012 Hundley ..... D6/677 D677,073 S * 3/2013 Zak ..... D6/686 D749,883 S * 2/2016 Garcia ..... D6/696.1
(73) Assignee: <b>BAKER, KNAPP &amp; TUBBS, INC.</b> , Hickory, NC (US)	
(**) Term: <b>14 Years</b>	

(21) Appl. No.: **29/523,041**

(22) Filed: **Apr. 6, 2015**

**Related U.S. Application Data**

(62) Division of application No. 29/468,436, filed on Sep. 30, 2013, now Pat. No. Des. 749,883.

(51) **LOC (10) Cl.** ..... **06-06**

(52) **U.S. Cl.**  
USPC ..... **D6/696.1**

(58) **Field of Classification Search**  
USPC ..... D6/685, 688, 696, 696.1, 697, 349;  
108/153.1, 156, 157.1, 150, 155, 161;  
248/188, 188.1  
CPC ..... A47B 3/12; A47B 13/021; A47B 13/06;  
A47B 13/08; A47B 13/023  
See application file for complete search history.

(56) **References Cited**

**U.S. PATENT DOCUMENTS**

3,230,909 A *	1/1966	Watson	.....	A47C 9/00 108/150
D243,295 S *	2/1977	Hartinger	.....	D6/708.2

\* cited by examiner

*Primary Examiner* — John Windmuller

*Assistant Examiner* — Steven Czyz

(74) *Attorney, Agent, or Firm* — Foley & Lardner LLP

(57) **CLAIM**

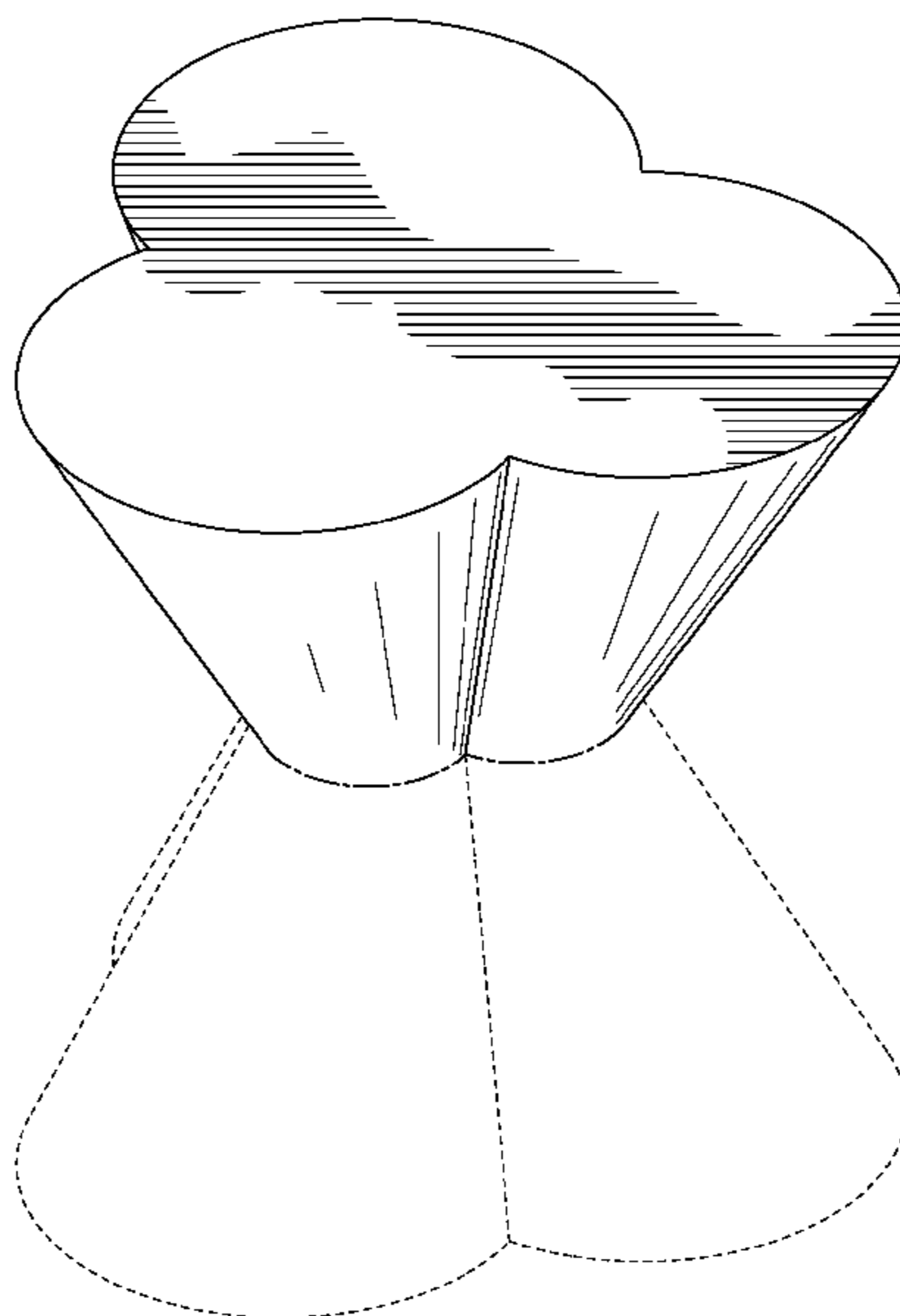
I claim the ornamental design for a table, as shown and described.

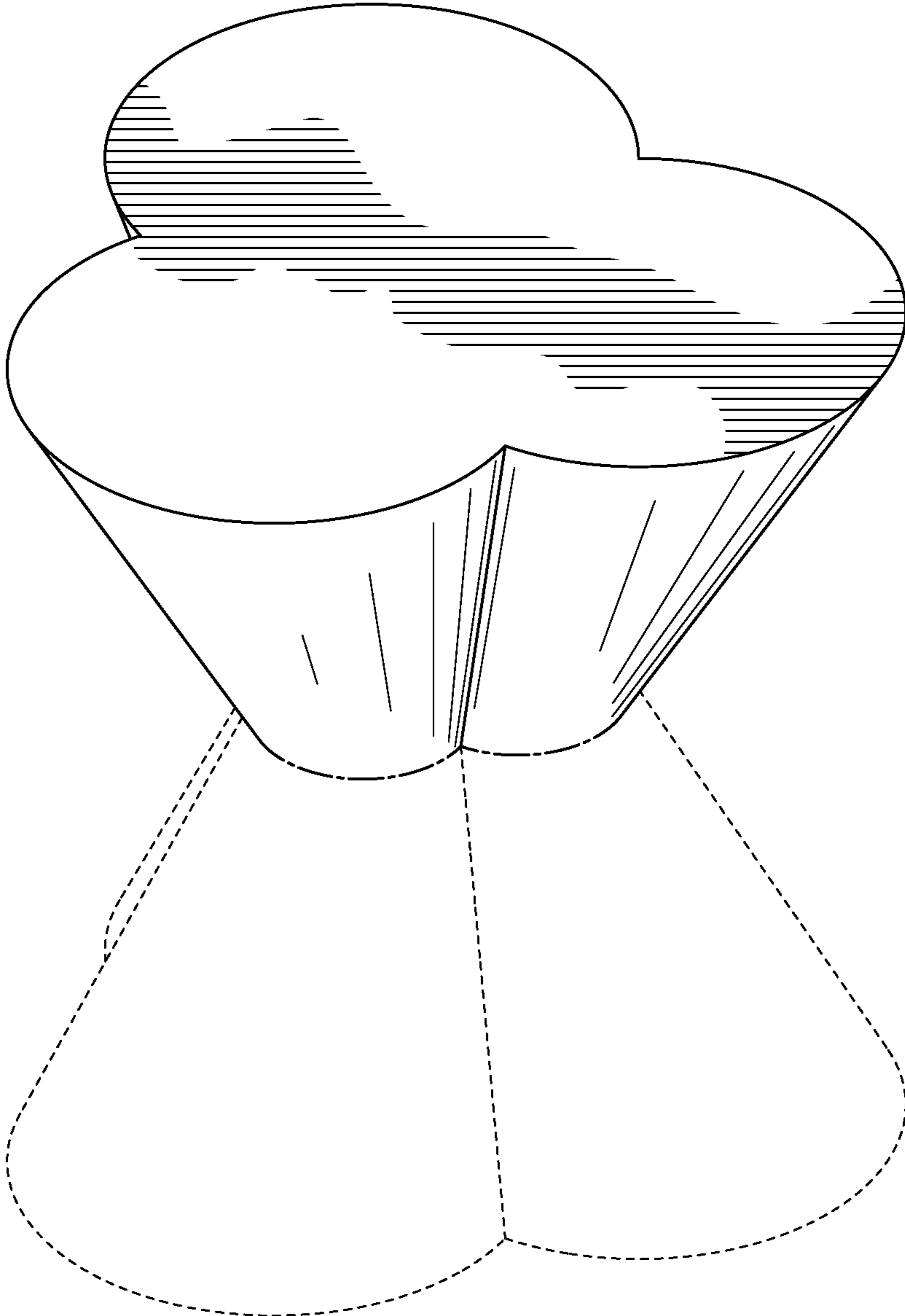
**DESCRIPTION**

FIG. 1 is a perspective view of a table;  
FIG. 2 is a side view thereof;  
FIG. 3 is a second side view thereof;  
FIG. 4 is a third side view thereof;  
FIG. 5 is a fourth side view thereof;  
FIG. 6 is a top view thereof; and,  
FIG. 7 is a bottom view thereof.

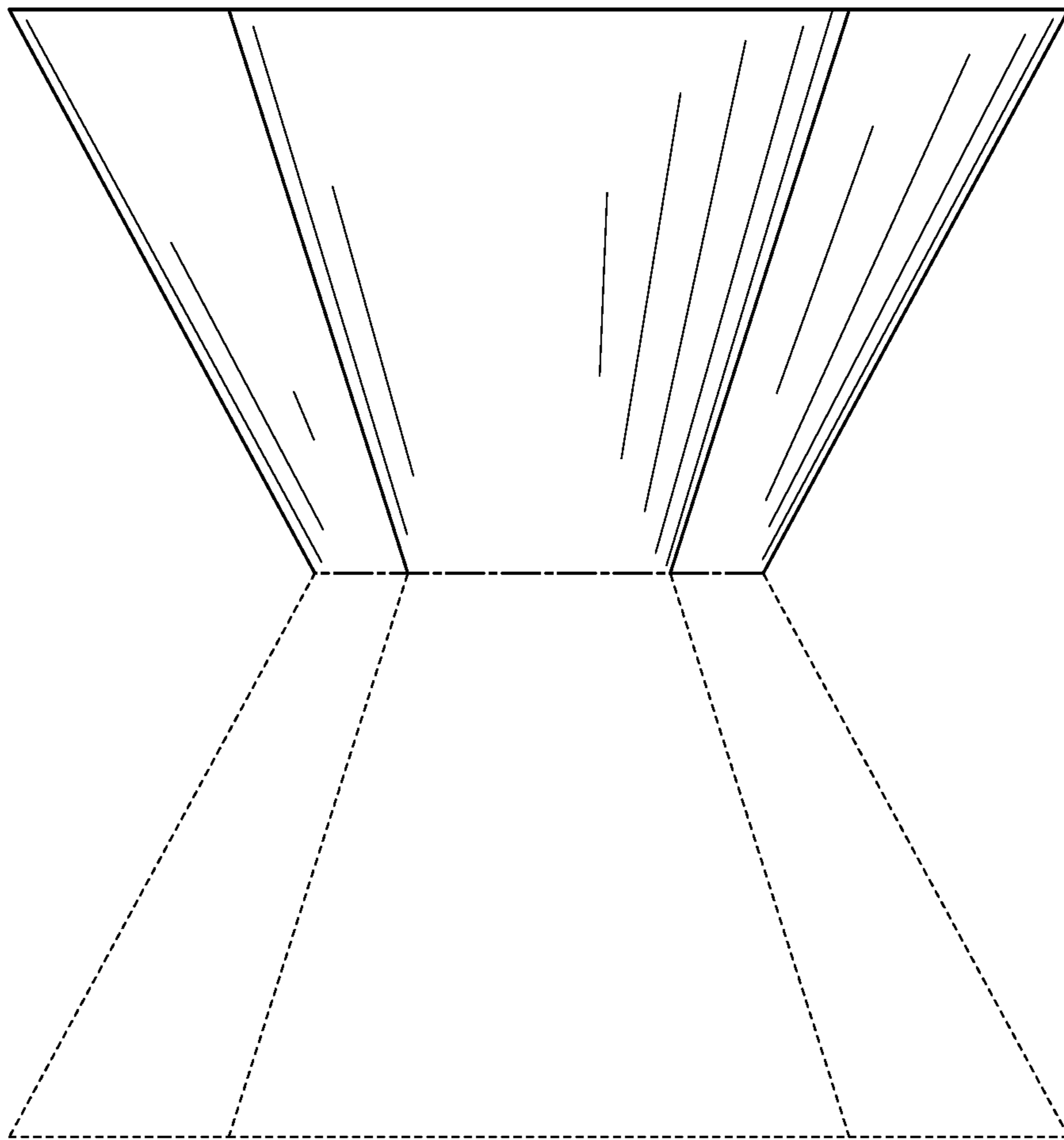
The ornamental design which is claimed is shown in solid lines in the drawings. The broken lines depict portions of the article that form no part of the claimed design. The dash dot dash lines indicate the bounds of the claimed design and otherwise form no part of the claimed design.

**1 Claim, 7 Drawing Sheets**

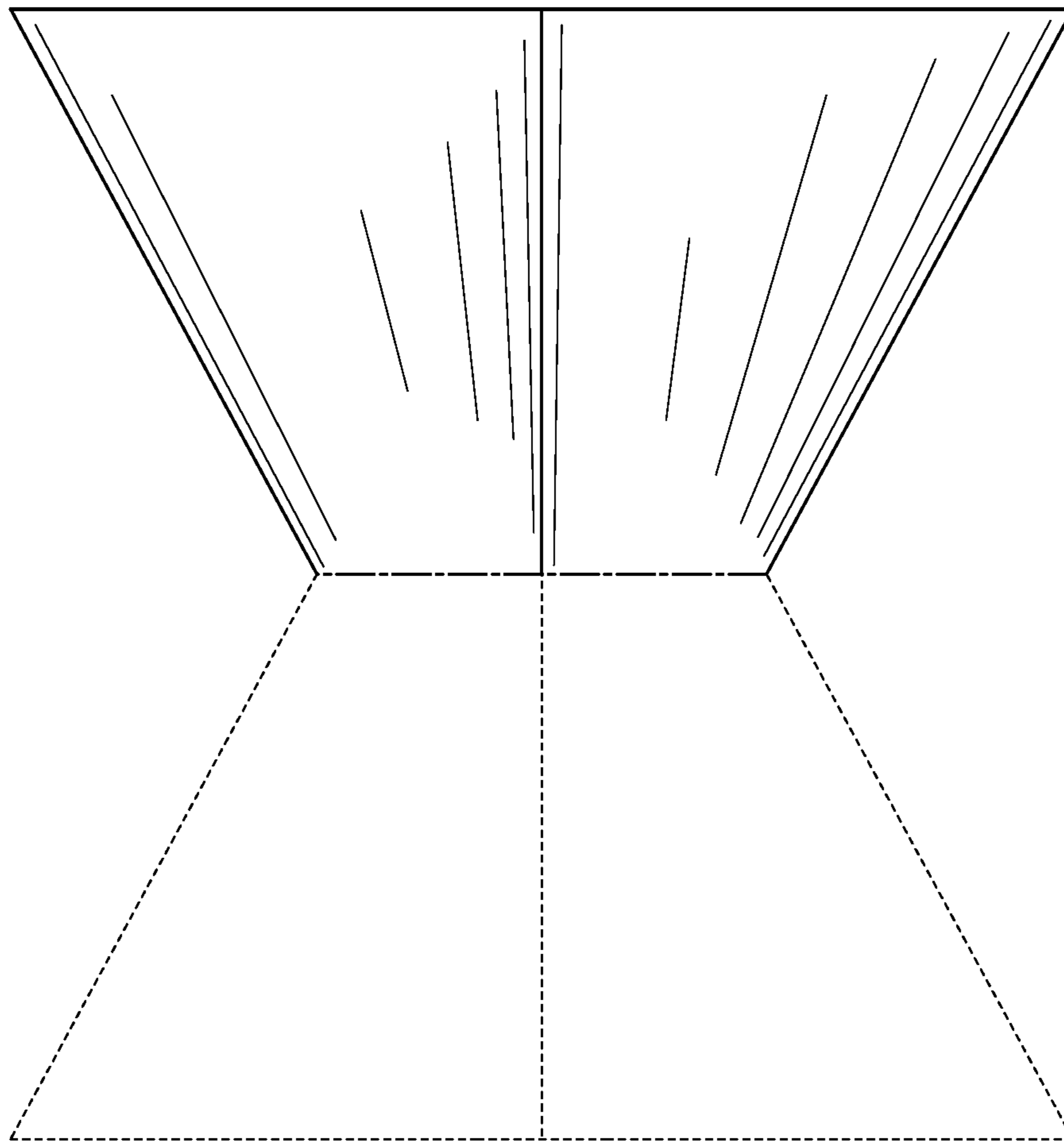




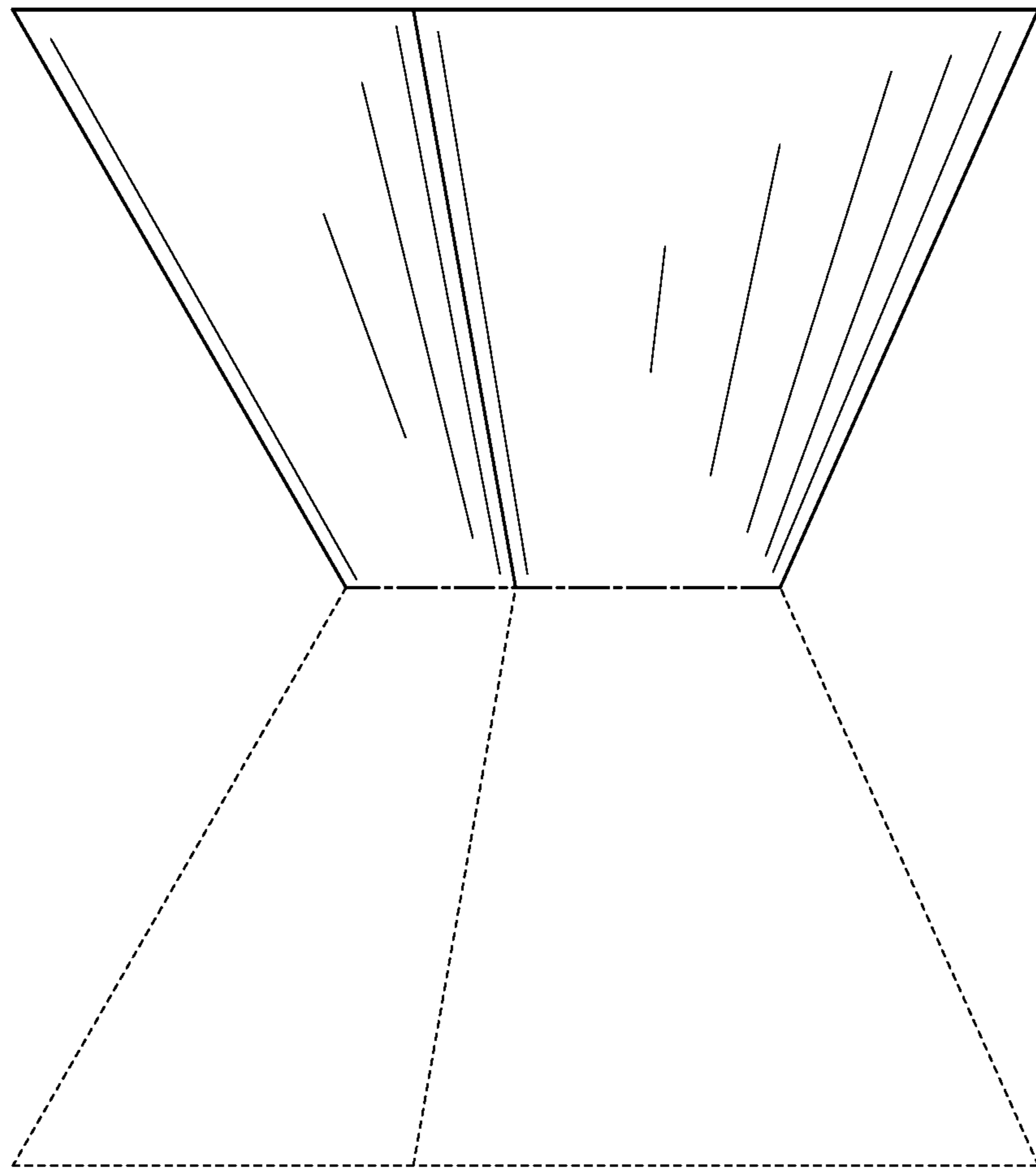
**FIG. 1**



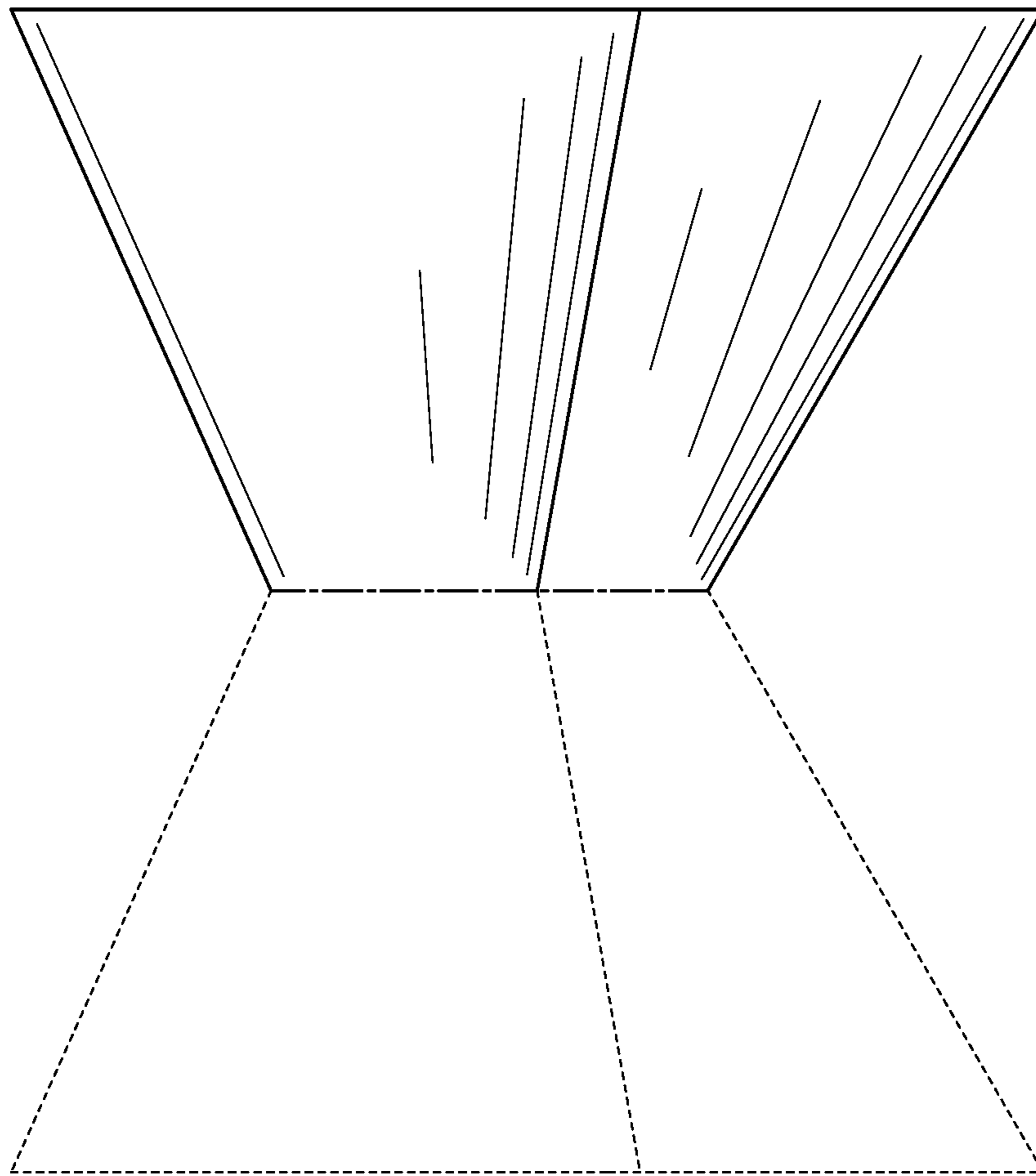
**FIG. 2**



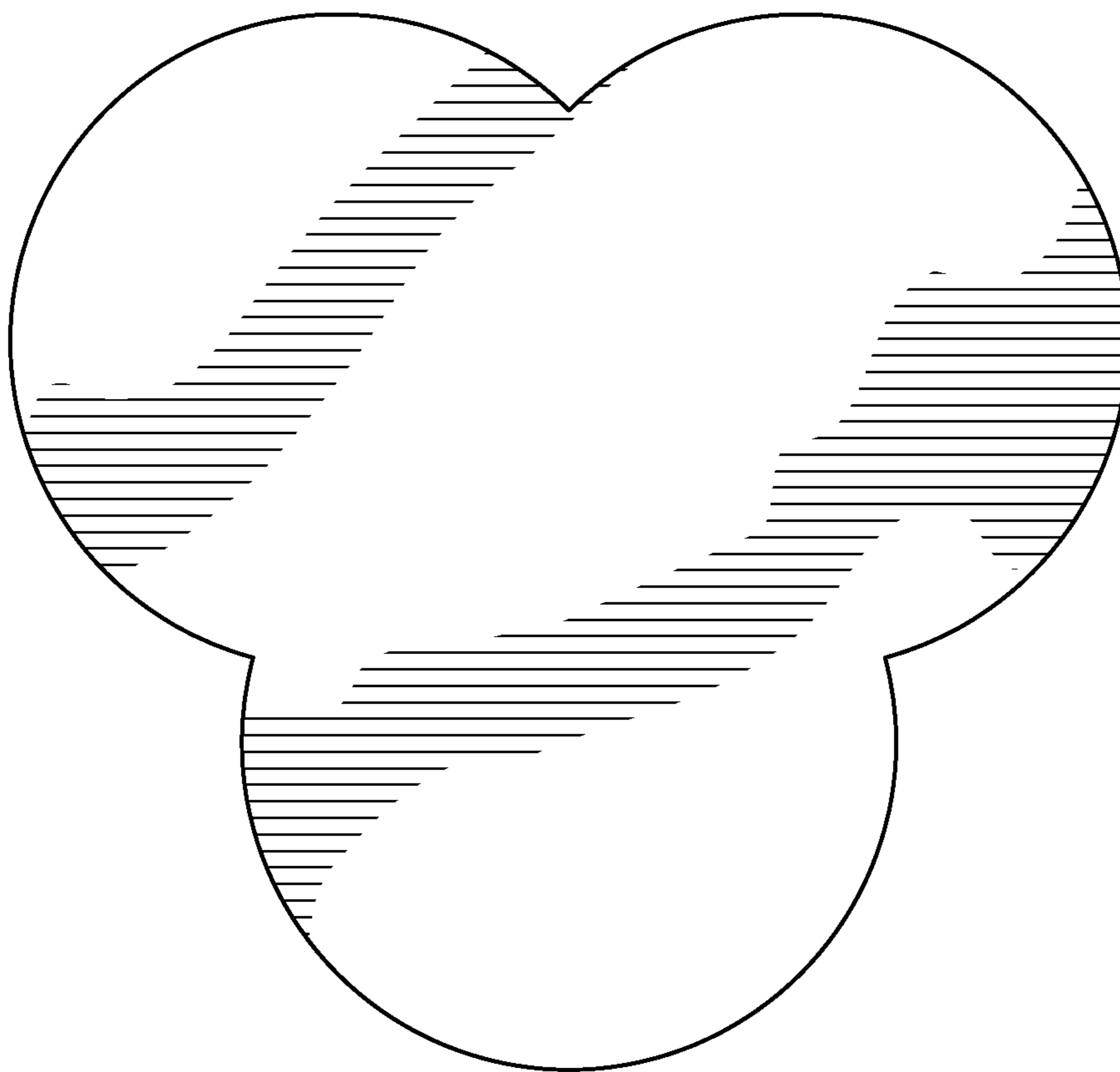
**FIG. 3**



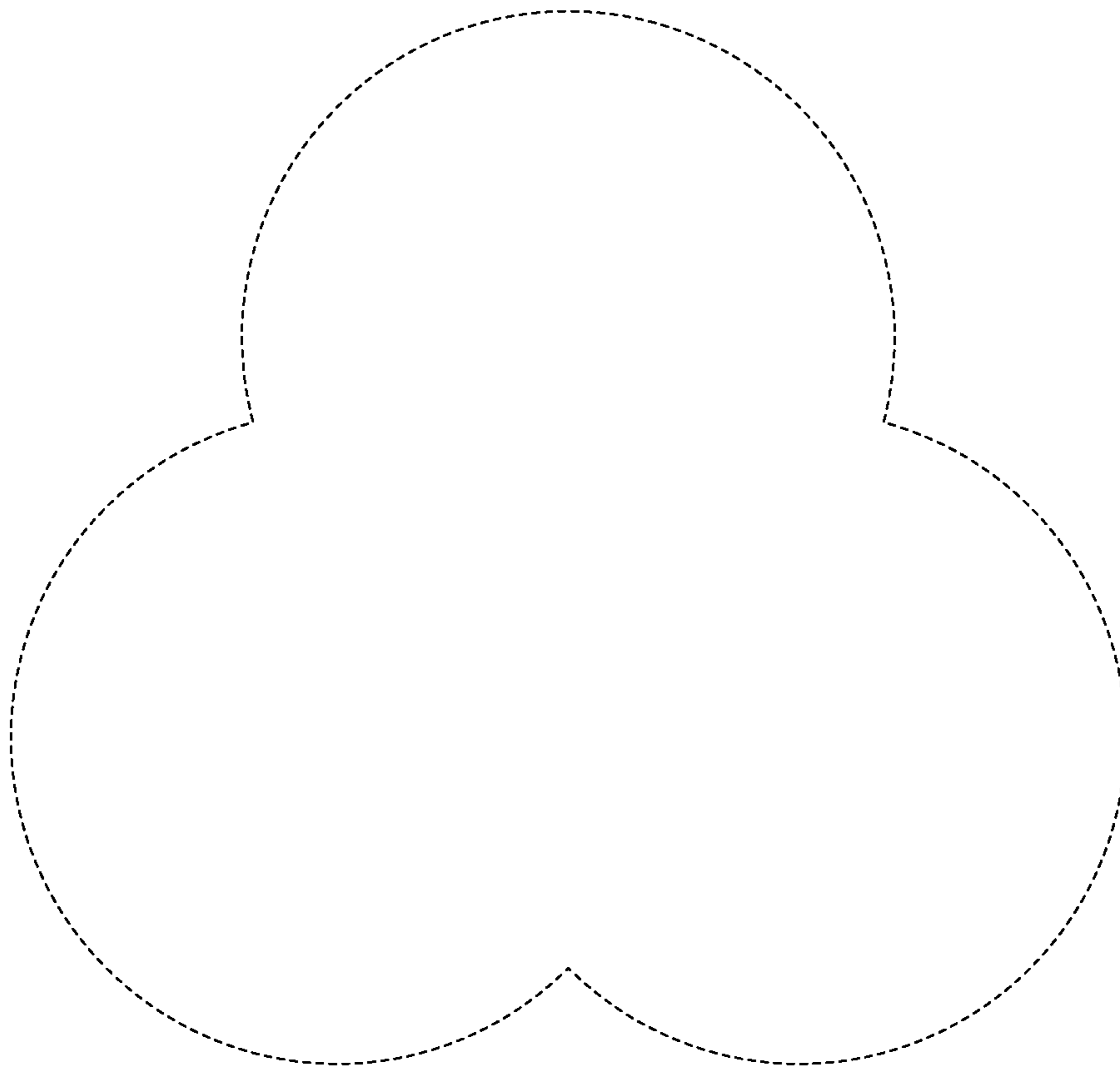
**FIG. 4**



**FIG. 5**



**FIG. 6**



**FIG. 7**