



US00D771420S

(12) **United States Design Patent** (10) **Patent No.:** **US D771,420 S**
Almaghlouth (45) **Date of Patent:** **** Nov. 15, 2016**

(54) **HOOKAH TABLE**
(71) Applicant: **Tawfiq Almaghlouth**, Ras Tanura (SA)
(72) Inventor: **Tawfiq Almaghlouth**, Ras Tanura (SA)
(**) Term: **15 Years**
(21) Appl. No.: **29/545,408**
(22) Filed: **Nov. 12, 2015**
(51) **LOC (10) Cl.** **06-03**
(52) **U.S. Cl.**
USPC **D6/691.4**
(58) **Field of Classification Search**
USPC D6/691, 691.1, 691.2, 691.6, 641,
D6/691.3, 691.4, 656.15, 656, 688.1, 688,
D6/390, 698, 382, 692, 692.4, 691.8, 686,
D6/353, 688.27, 708.1, 692.2, 692.3, 657,
D6/672, 685, 707.19, 691.9, 701, 707,
D6/707.23, 644, 656.19; D25/63
CPC A47B 7/00; A47B 13/08; A47B 13/10;
A47B 21/00; A47B 25/00; A47B 2009/006;
A47B 11/00
See application file for complete search history.

D625,931 S * 10/2010 Estrup D6/349
D681,967 S * 5/2013 Schoolmeester D6/349
D728,951 S * 5/2015 Yoshida D6/349
D748,417 S * 2/2016 Grecco D6/664

OTHER PUBLICATIONS

Datasheet [online]. Corporation, 2016 [retrieved on Aug. 15, 2016]. Retrieved from the Internet:< <http://www.ebay.co.uk/itm/Unpainted-Wooden-Crate-With-Handles-Toy-Box-Storage-Box-Square-23-cm-x-12h-/281349506388>>.*
New Hookah Table [online]. Hookah Forum, Jun. 10, 2009 [retrieved on Aug. 15, 2016]. Retrieved from the Internet:< <http://www.hookahforum.com/topic/31197-new-hookah-table/>>.*

* cited by examiner

Primary Examiner — Eric Goodman
Assistant Examiner — Sloan Rozin
(74) *Attorney, Agent, or Firm* — ARC IP Law, PC;
Joseph J. Mayo

(57) **CLAIM**

The ornamental design for a hookah table, as shown and described.

(56) **References Cited**

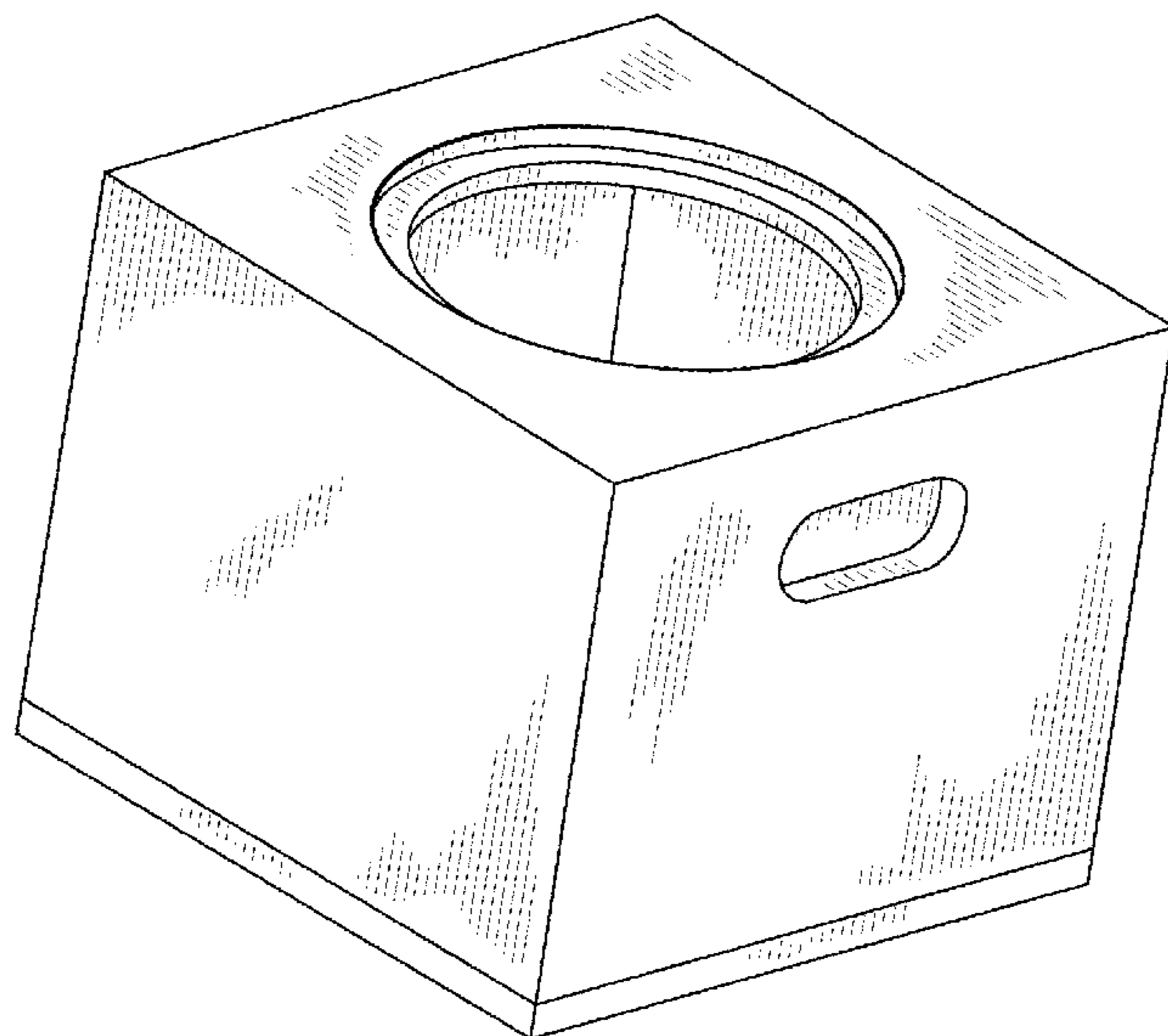
U.S. PATENT DOCUMENTS

D200,654 S * 3/1965 Scott D6/705
D264,290 S * 5/1982 Ungaro D6/691.4
D279,444 S * 7/1985 McDonald D6/692.3
D316,639 S * 5/1991 Adler D6/686
D422,810 S * 4/2000 Rasp D6/691.4
D423,248 S * 4/2000 Sandy D6/656
D545,071 S * 6/2007 Potter D6/336
D546,589 S * 7/2007 Kreiss D6/691.1
D548,494 S * 8/2007 Mercs D6/690
D568,071 S * 5/2008 Audrito D6/692.3
D601,829 S * 10/2009 Lim D6/716.1

DESCRIPTION

FIG. 1 is a top perspective view of a hookah table.
FIG. 2 is a bottom perspective view of the hookah table of FIG. 1.
FIG. 3 is a right side view of the hookah table of FIG. 1, of which the left side view is a mirror image thereof.
FIG. 4 is a front view of the hookah table of FIG. 1, of which the back view is a mirror image thereof.
FIG. 5 is a top view of the hookah table of FIG. 1; and,
FIG. 6 is a bottom view of the hookah table of FIG. 1.

1 Claim, 5 Drawing Sheets



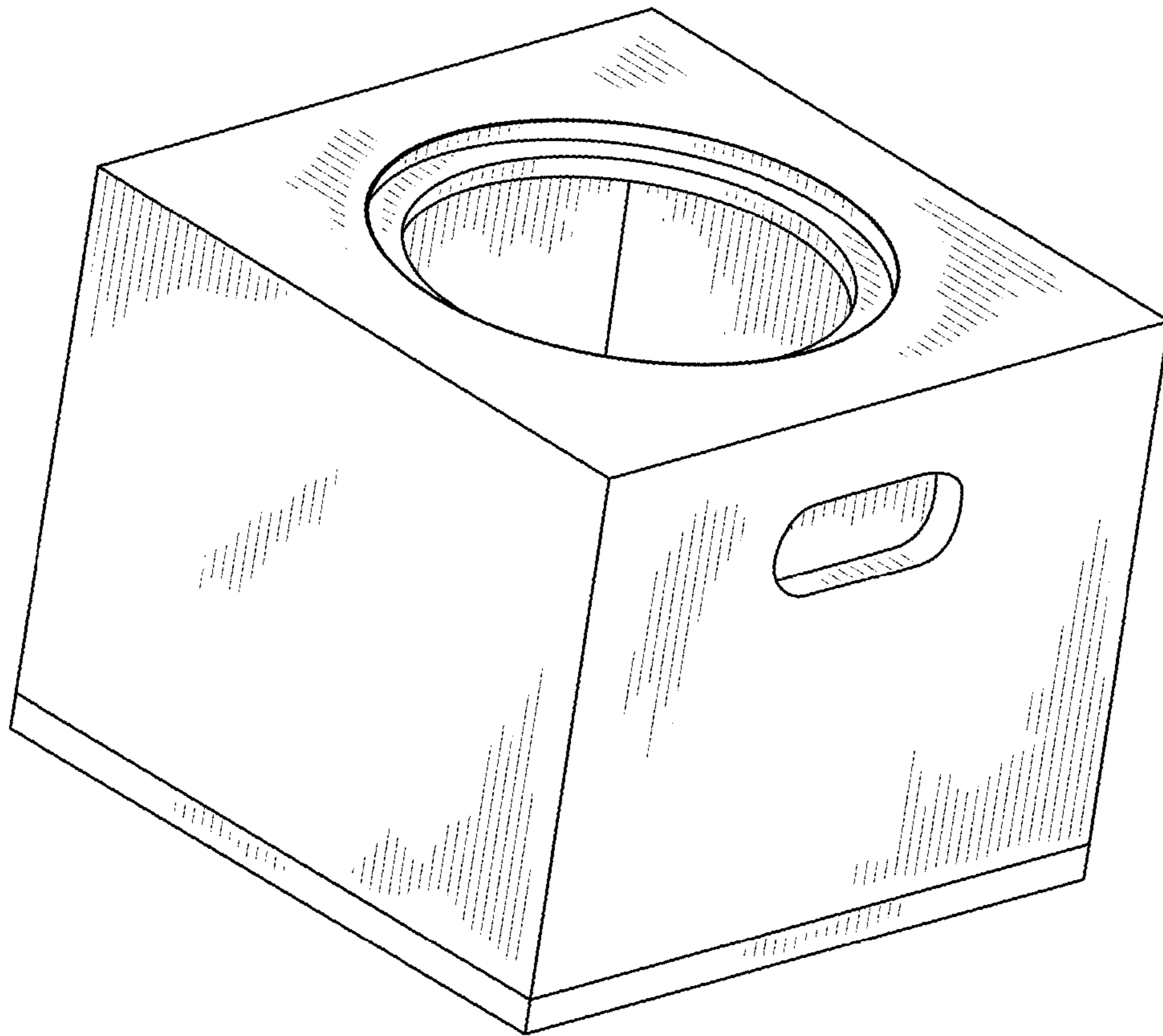


FIG. 1

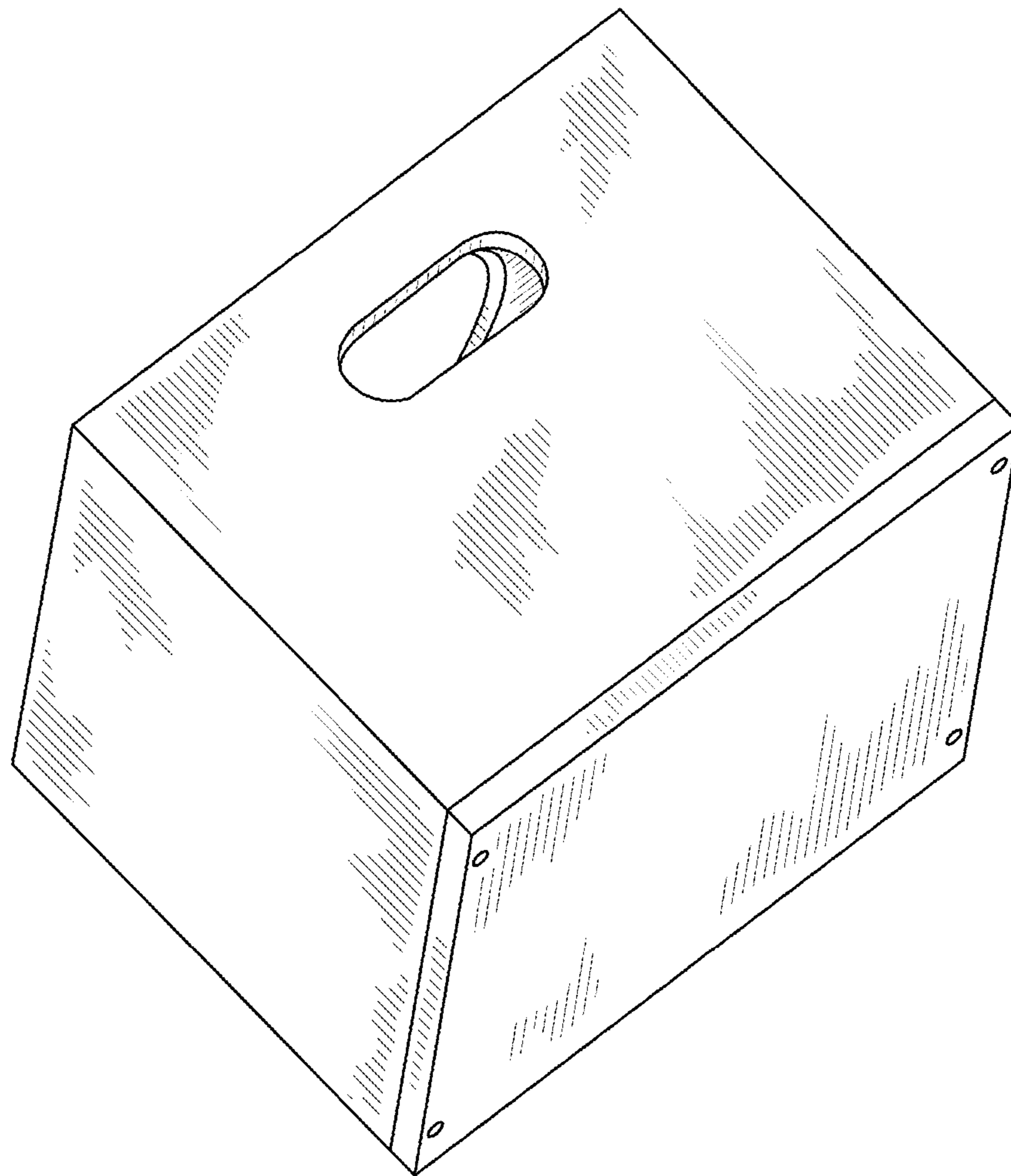


FIG. 2

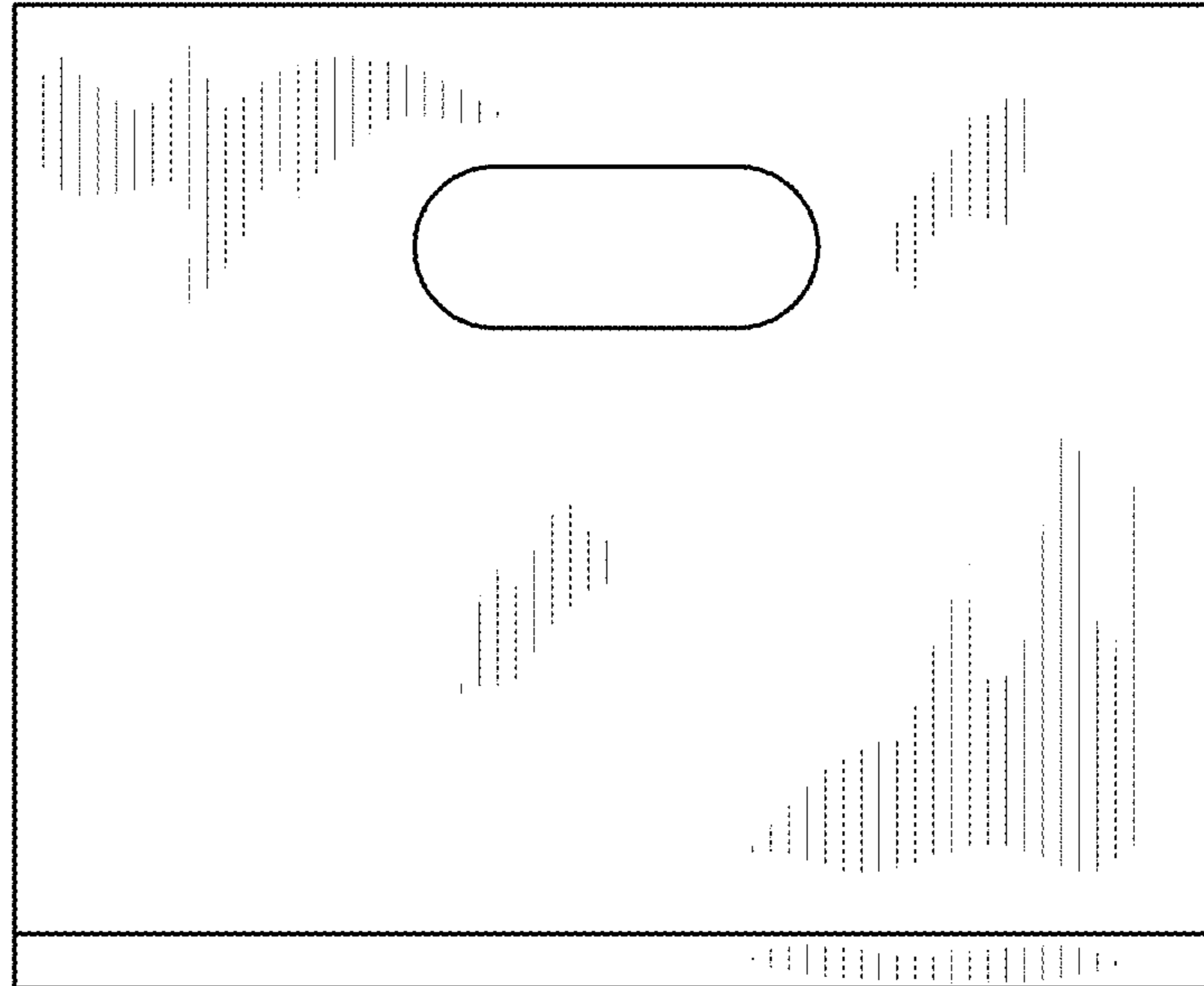


FIG. 3

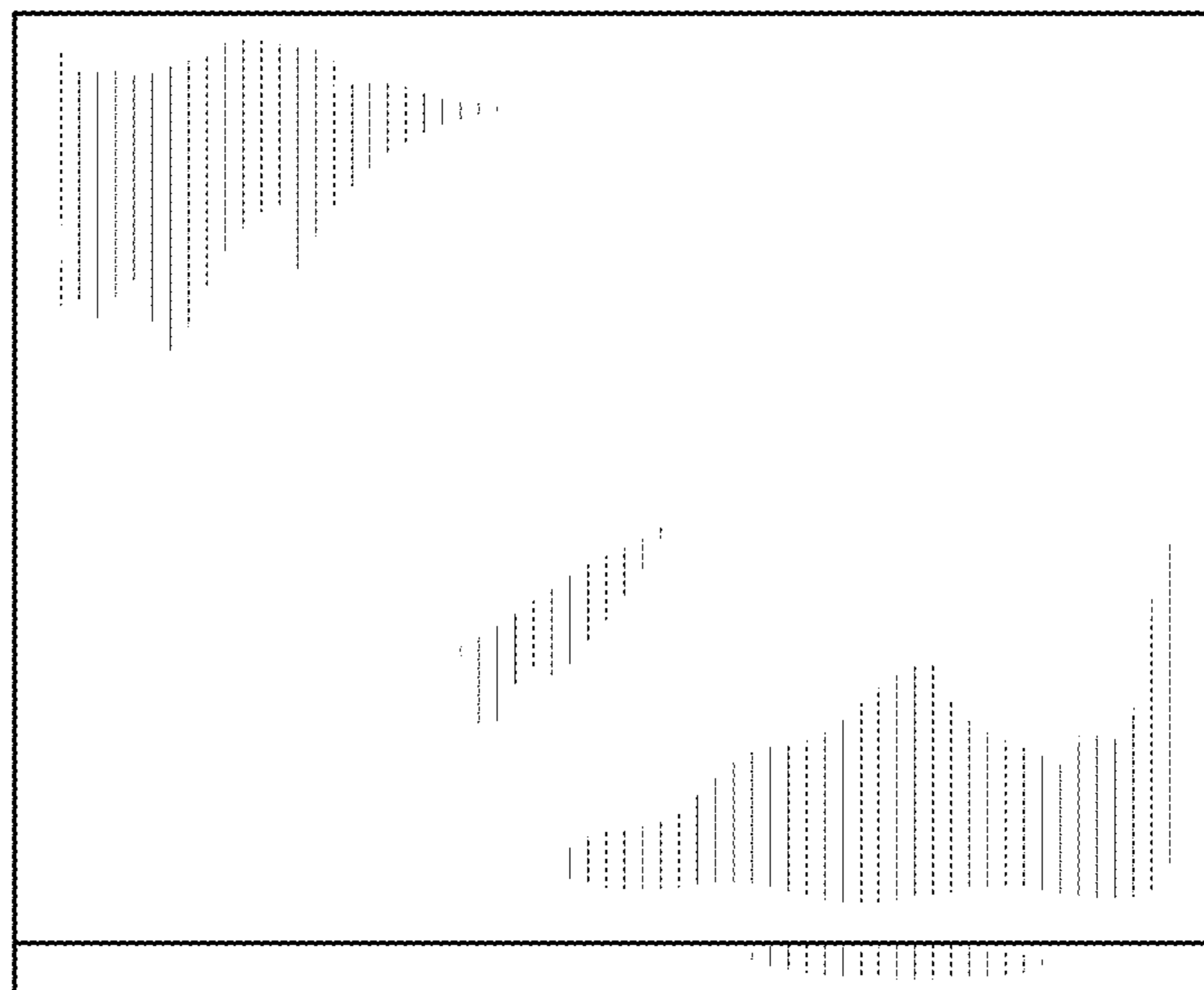


FIG. 4

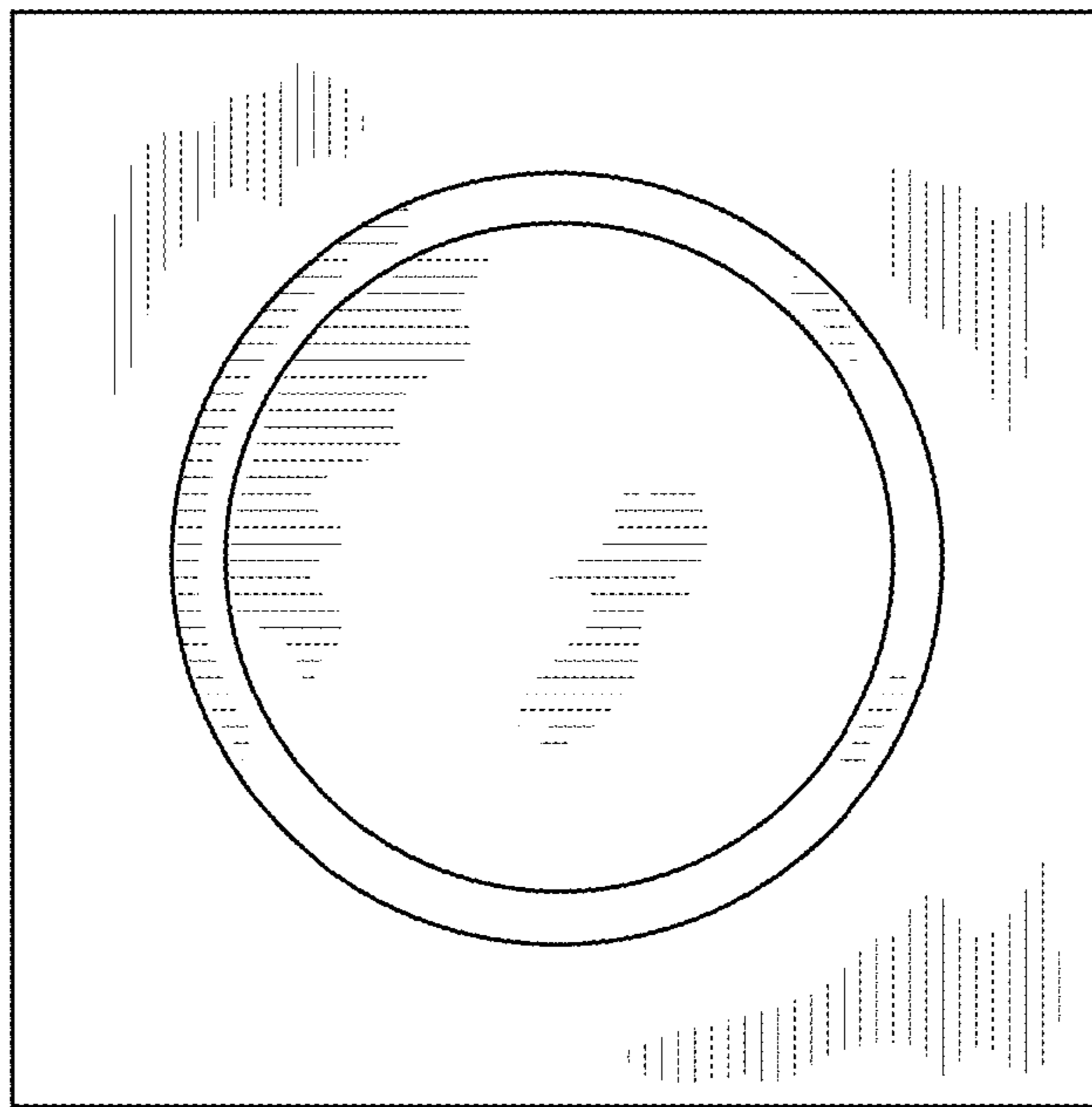


FIG. 5

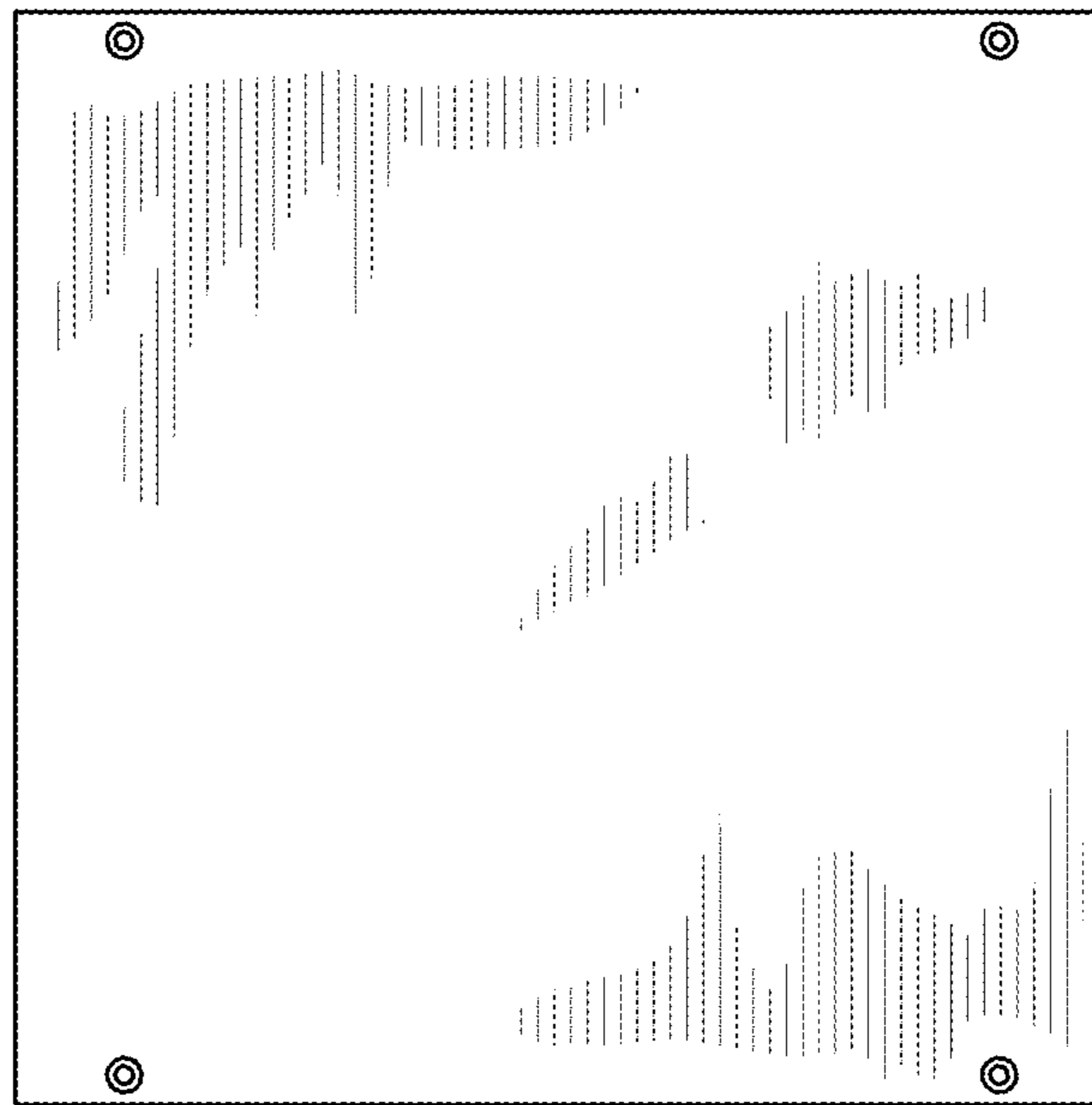


FIG. 6