



US00D771412S

(12) **United States Design Patent** (10) **Patent No.:** **US D771,412 S**
Ng (45) **Date of Patent:** **** Nov. 15, 2016**

(54) **ROLLER BLIND TENSIONER**
(71) Applicant: **ZMC Metal Coating Inc.**, Woodbridge (CA)
(72) Inventor: **Philip Ng**, Thornhill (CA)
(73) Assignee: **ZMC METAL COATING INC.**, Woodbridge, Ontario (CA)
(**) Term: **14 Years**
(21) Appl. No.: **29/501,612**
(22) Filed: **Sep. 5, 2014**

2,173,275 A * 9/1939 Houmere 160/89
2,338,658 A * 1/1944 Morehouse 248/74.3
2,373,300 A * 4/1945 Ellinwood 174/40 CC
2,379,893 A * 7/1945 Ellinwood 248/73
4,844,379 A * 7/1989 Umehara 248/74.3
4,909,297 A * 3/1990 Koller et al. 160/84.01
D429,588 S * 8/2000 Smederod D6/580
6,792,999 B2 * 9/2004 Cross et al. 160/321
D591,993 S * 5/2009 Chou D6/581
D602,763 S * 10/2009 Peterson et al. D8/354
D637,855 S * 5/2011 Patel D6/580
D647,342 S * 10/2011 Cannaverde et al. D6/581
D647,784 S * 11/2011 McNamara D8/349
D671,783 S * 12/2012 Graneto, III D6/580
8,499,814 B2 * 8/2013 Ng 160/173 R
2005/0038453 A1 * 2/2005 Raulerson 606/151
2012/0160630 A1 * 6/2012 Cannaverde 192/71

(30) **Foreign Application Priority Data**
May 2, 2014 (CA) 156488
(51) **LOC (10) Cl.** **06-10**
(52) **U.S. Cl.**
USPC **D6/580**
(58) **Field of Classification Search**
USPC D6/575, 576, 577, 578, 579, 580, 581;
D8/19, 349, 354, 363, 368, 369, 376,
D8/387, 395, 399; 160/84.01, 84.02,
160/84.03, 84.04, 84.05, 84.06, 84.07,
160/84.08, 107, 108, 111, 113, 130, 133,
160/166.1, 168.1 R, 330
CPC E06B 3/30; E06B 9/00; E06B 9/02;
E06B 9/24; E06B 9/262; A47H 1/00; A47H
1/02; A47H 21/00; A47H 23/00; A47H
23/02; A47H 23/04; A47H 2001/0205;
A47H 2023/025
See application file for complete search history.

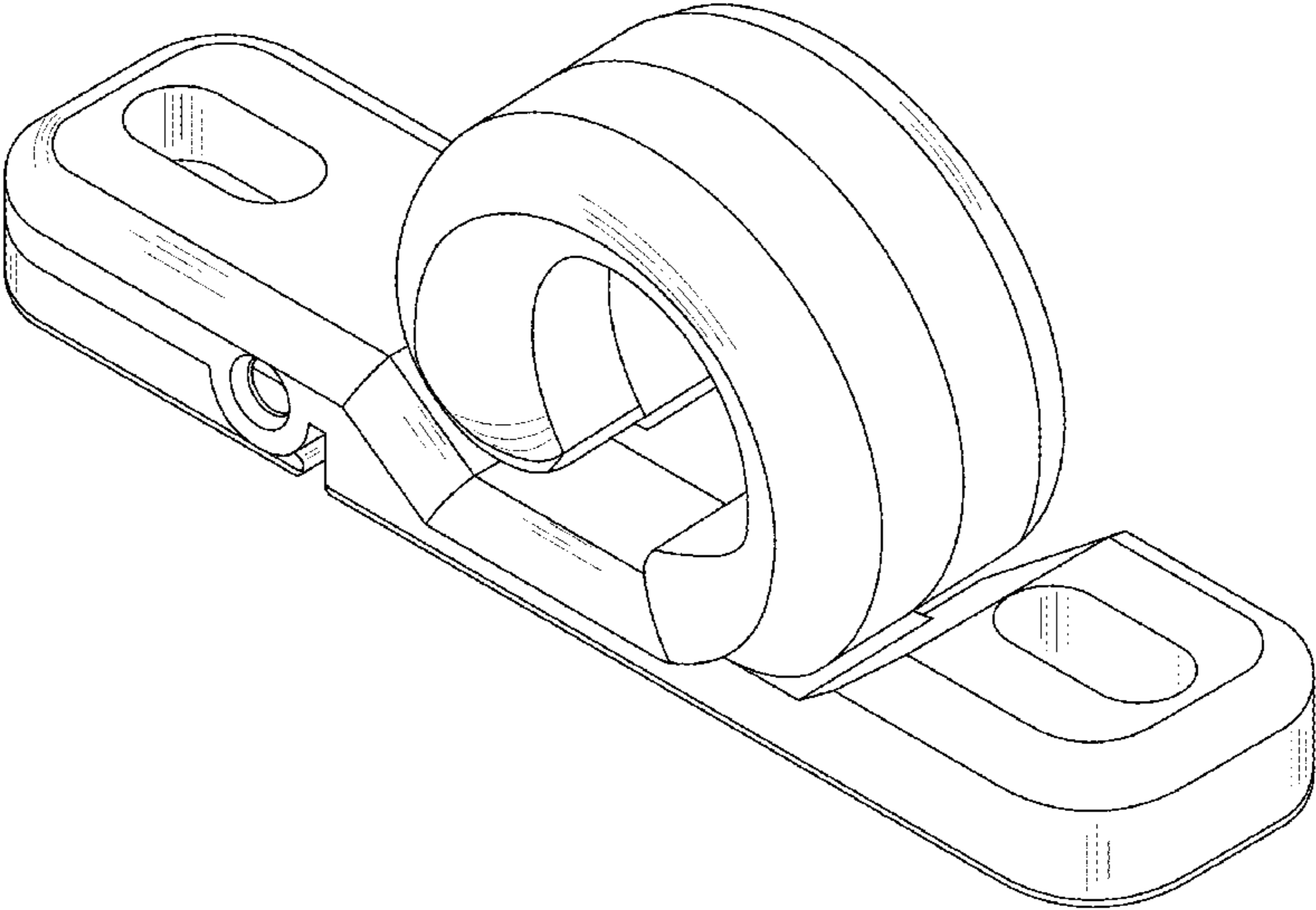
* cited by examiner
Primary Examiner — Karen S Acker
Assistant Examiner — Wendy Arminio
(74) *Attorney, Agent, or Firm* — Cooley LLP

(57) **CLAIM**
The ornamental design for a roller blind tensioner, as shown and described.

DESCRIPTION
FIG. 1 is an upper perspective view of a roller blind tensioner;
FIG. 2 is a front view of a roller blind tensioner;
FIG. 3 is a right side view of a roller blind tensioner;
FIG. 4 is a left side view of a roller blind tensioner;
FIG. 5 is a bottom view of a roller blind tensioner;
FIG. 6 is a top view of a roller blind tensioner; and,
FIG. 7 is a back view of a roller blind tensioner.
Any broken lines shown in the drawings depict portions of the roller blind tensioner that form no part of the claimed design.

(56) **References Cited**
U.S. PATENT DOCUMENTS
161,407 A * 3/1875 Hall 24/115 R
1,964,770 A * 7/1934 Runge 384/440

1 Claim, 7 Drawing Sheets



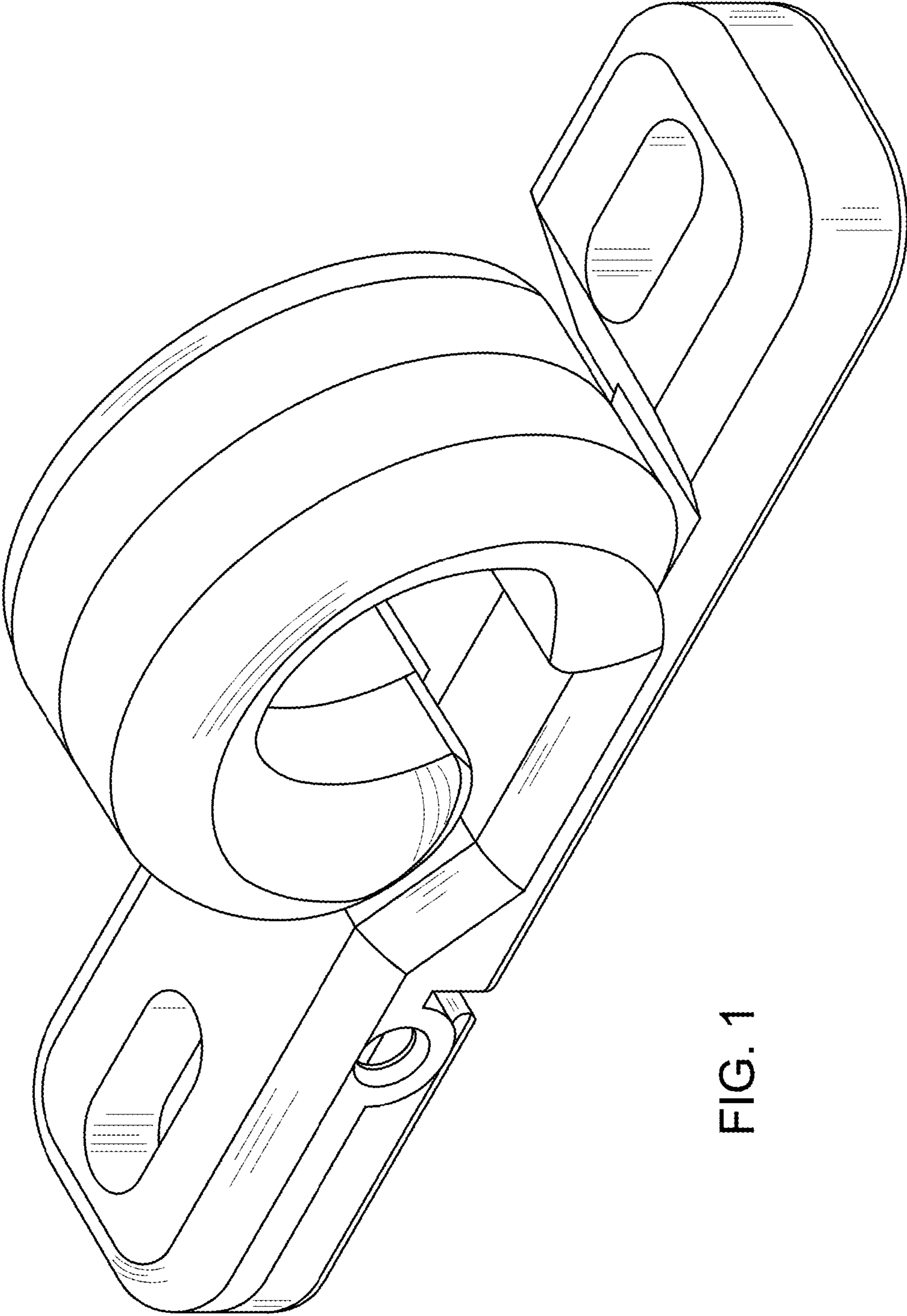


FIG. 1

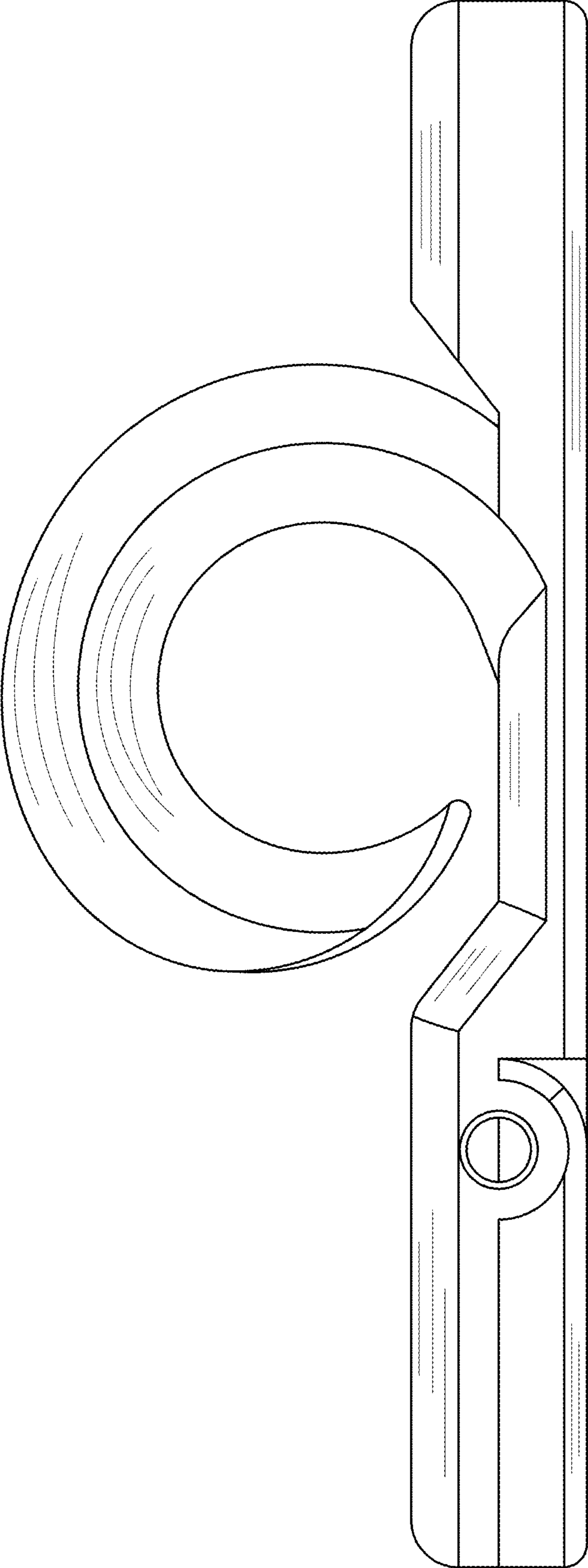


FIG. 2

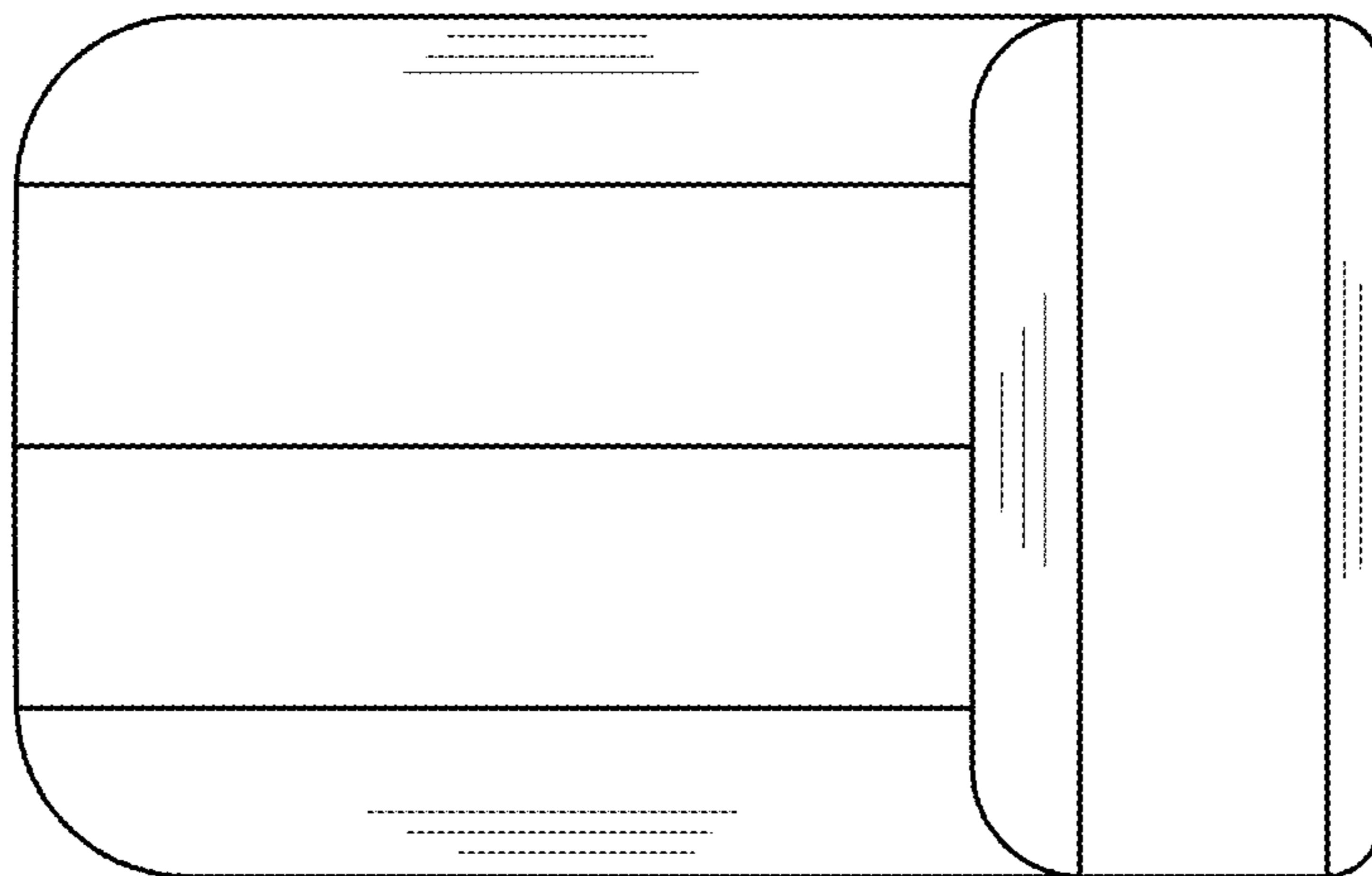


FIG. 3

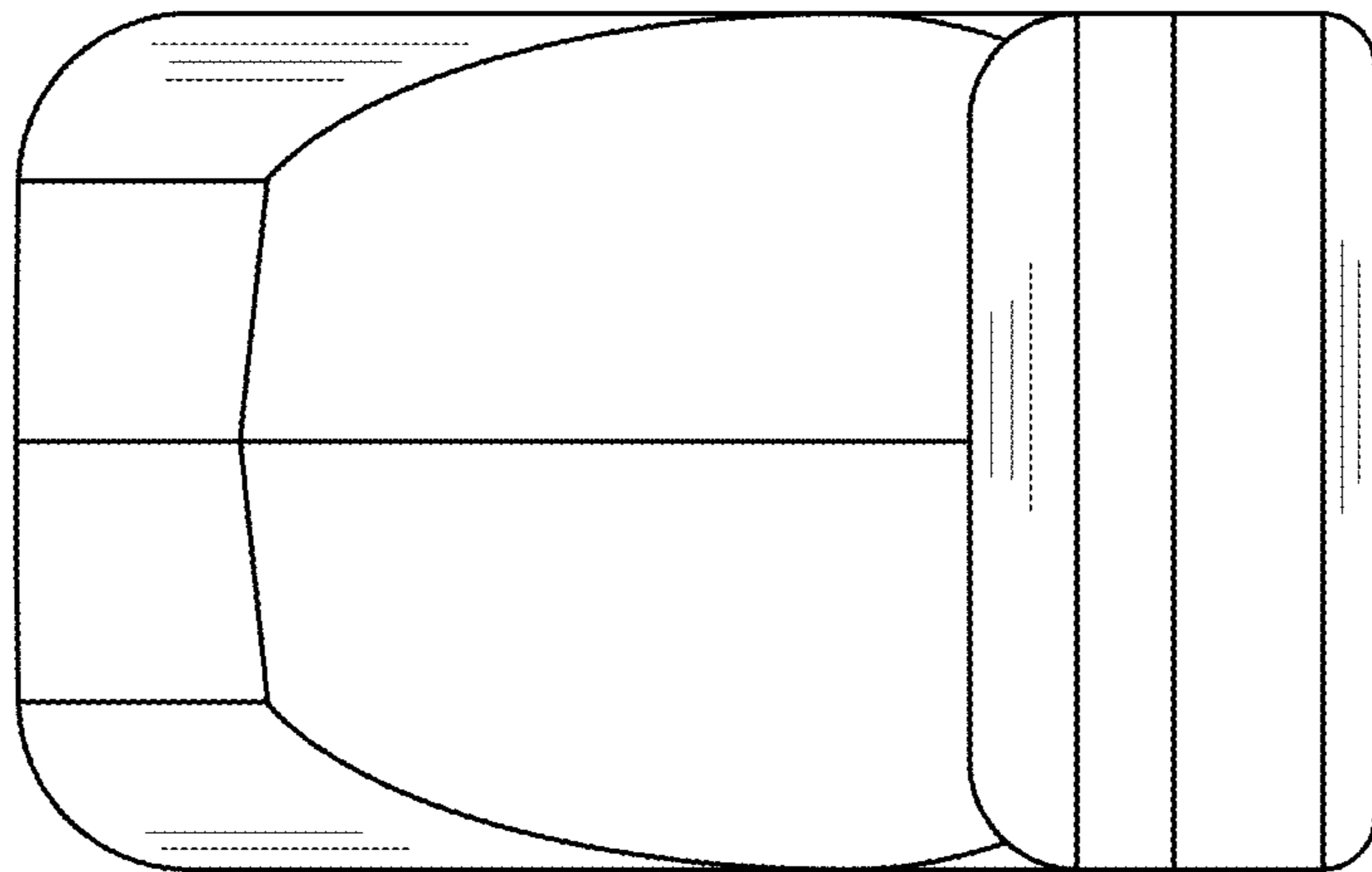


FIG. 4

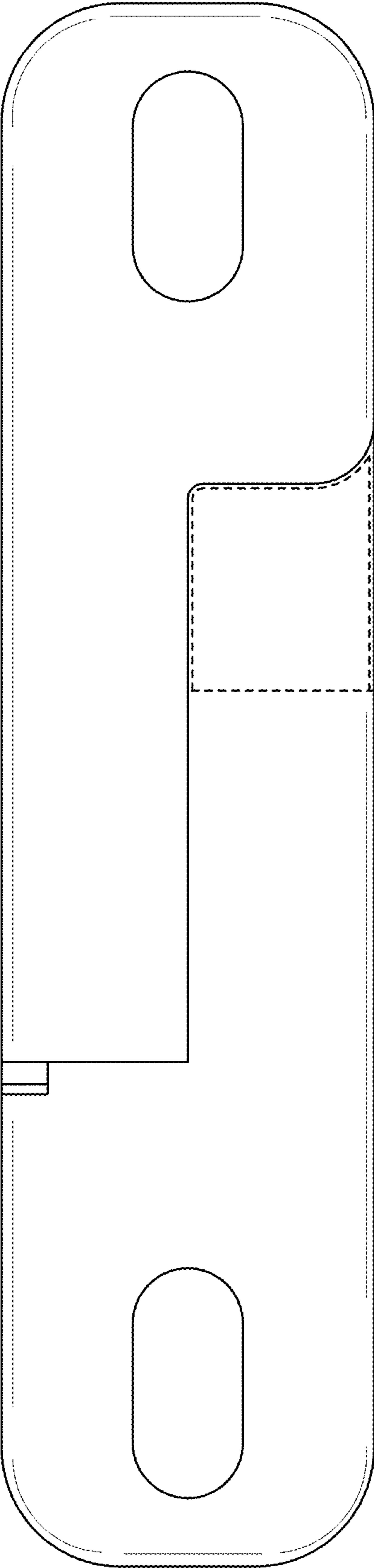


FIG. 5

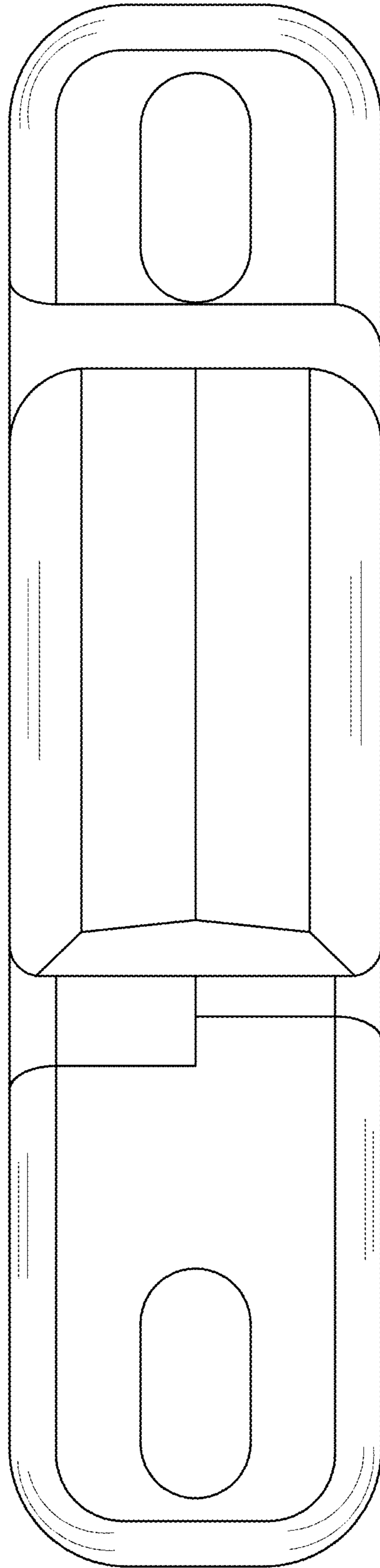


FIG. 6

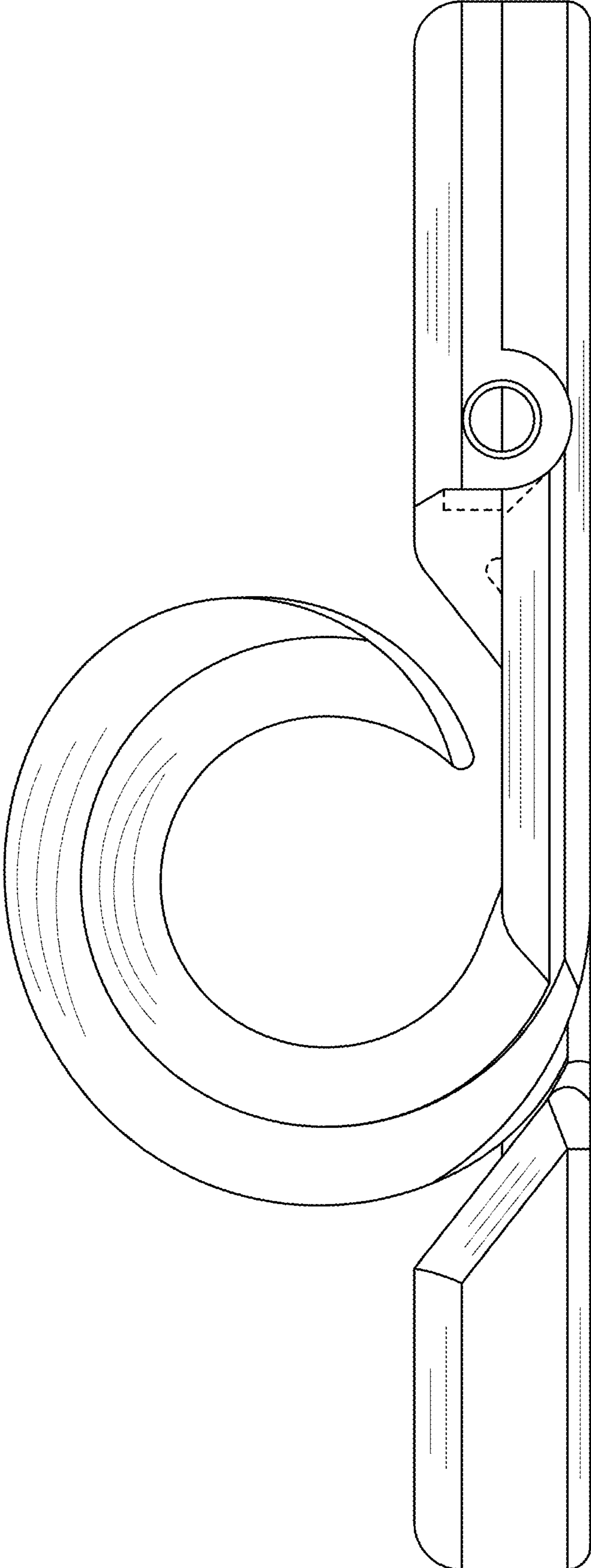


FIG. 7