



US00D771411S

(12) **United States Design Patent** (10) **Patent No.:** **US D771,411 S**
Goodman et al. (45) **Date of Patent:** **** Nov. 15, 2016**

- (54) **MAIL AND KEY HOLDER**
- (71) Applicant: **Spectrum Diversified Designs, Inc.**,
Streetsboro, OH (US)
- (72) Inventors: **Sheldon H. Goodman**, Solon, OH
(US); **Phaysouk Xayoiphonh**, Akron,
OH (US); **Jennifer Case**, Middleburg
Heights, OH (US)
- (73) Assignee: **Spectrum Diversified Designs, LLC**,
Streetsboro, OH (US)
- (**) Term: **14 Years**
- (21) Appl. No.: **29/509,487**
- (22) Filed: **Nov. 18, 2014**
- (51) **LOC (10) Cl.** **06-04**
- (52) **U.S. Cl.**
USPC **D6/566**
- (58) **Field of Classification Search**
USPC D6/566, 512-514, 553, 567, 569, 315,
D6/320, 327, 572; D8/349, 354, 367, 372;
248/301-304, 309.1, 309.2; 211/13.1,
211/30, 32, 70.6, 56.01, 87.01, 181.1
CPC .. F16M 13/02; A47B 95/008; A47B 96/067;
B25H 3/04; A47C 17/84
See application file for complete search history.

D639,594 S *	6/2011	Goodman	D6/572
D643,663 S *	8/2011	Goodman	D6/566
D645,685 S *	9/2011	Goodman	D6/566
D649,822 S *	12/2011	Goodman	D6/566
D666,855 S *	9/2012	Goodman	D6/566
D710,628 S *	8/2014	Goodman	D6/566
D734,818 S *	7/2015	Goodman	D19/90
D759,990 S *	6/2016	Goodman	D6/566

* cited by examiner

Primary Examiner — David Muller

Assistant Examiner — Nathan Johnston

(74) *Attorney, Agent, or Firm* — Renner, Otto, Boisselle & Sklar, LLP

(57) **CLAIM**

The ornamental design for a mail and key holder, as shown and described.

DESCRIPTION

FIG. 1 is a perspective view of a mail and key holder showing our new design.

FIG. 2 is a front elevation view thereof.

FIG. 3 is a rear elevation view thereof.

FIG. 4 is a right side elevation view thereof, a left side elevation view being a mirror image of the right side elevation view.

FIG. 5 is a top plan view thereof.

FIG. 6 is a bottom plan view thereof; and,

FIG. 7 is a perspective view of the mail and key holder of FIGS. 1-6, but with a different panel insert.

The stippling on the panel insert of FIGS. 1-6 represents shading of a surface having contrast to the surface of the wire frame.

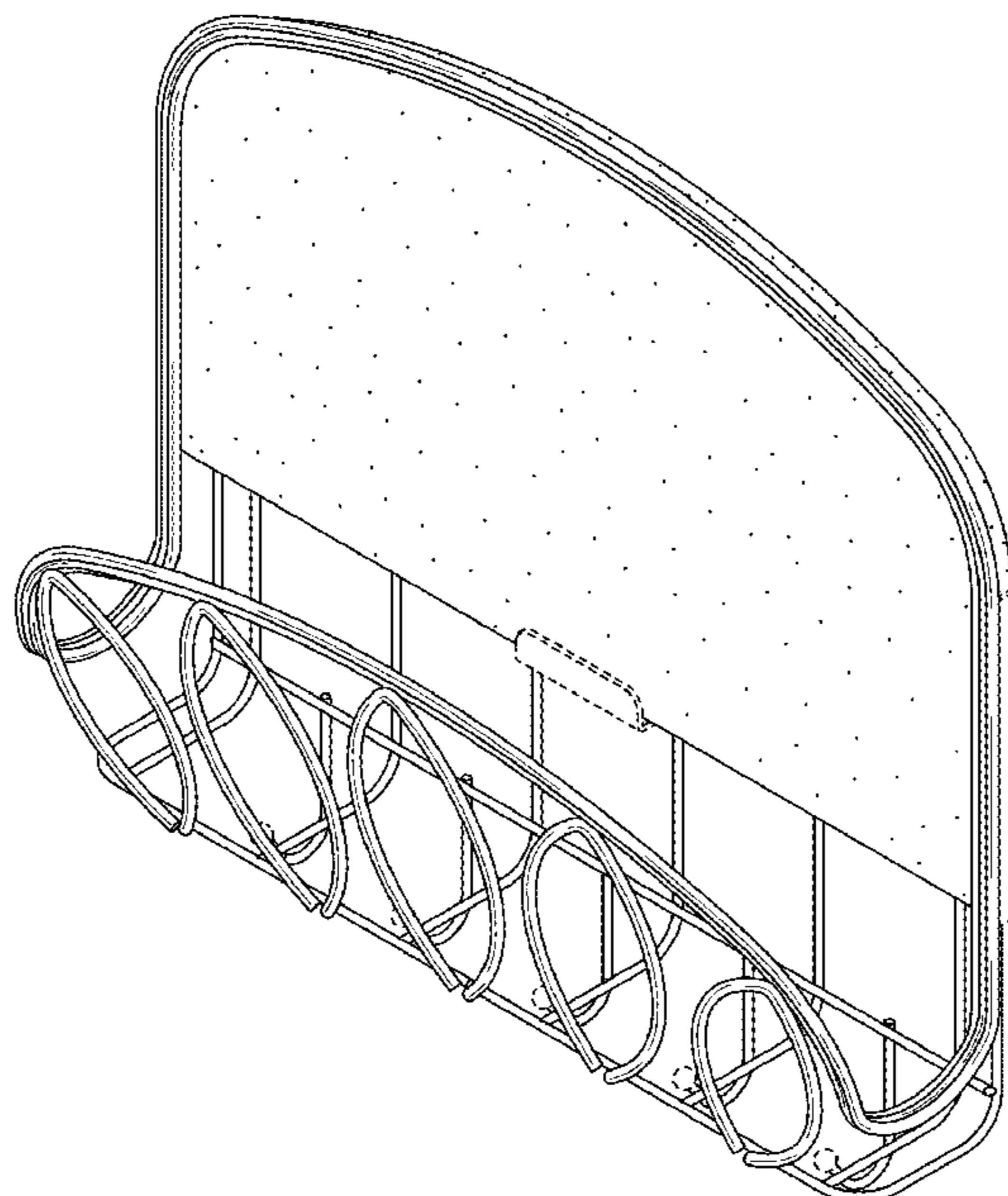
The broken line showing of mail and key holder is included for the purpose of illustrating portions of the "article" and forms no part of the claimed design.

1 Claim, 6 Drawing Sheets

(56) **References Cited**

U.S. PATENT DOCUMENTS

D279,630 S *	7/1985	Bart	D19/91
D339,017 S *	9/1993	Goodman	D6/567
D370,936 S *	6/1996	Hofman	D19/113
D455,273 S *	4/2002	Harwanko	D6/300
D601,632 S *	10/2009	Goodman	D19/90



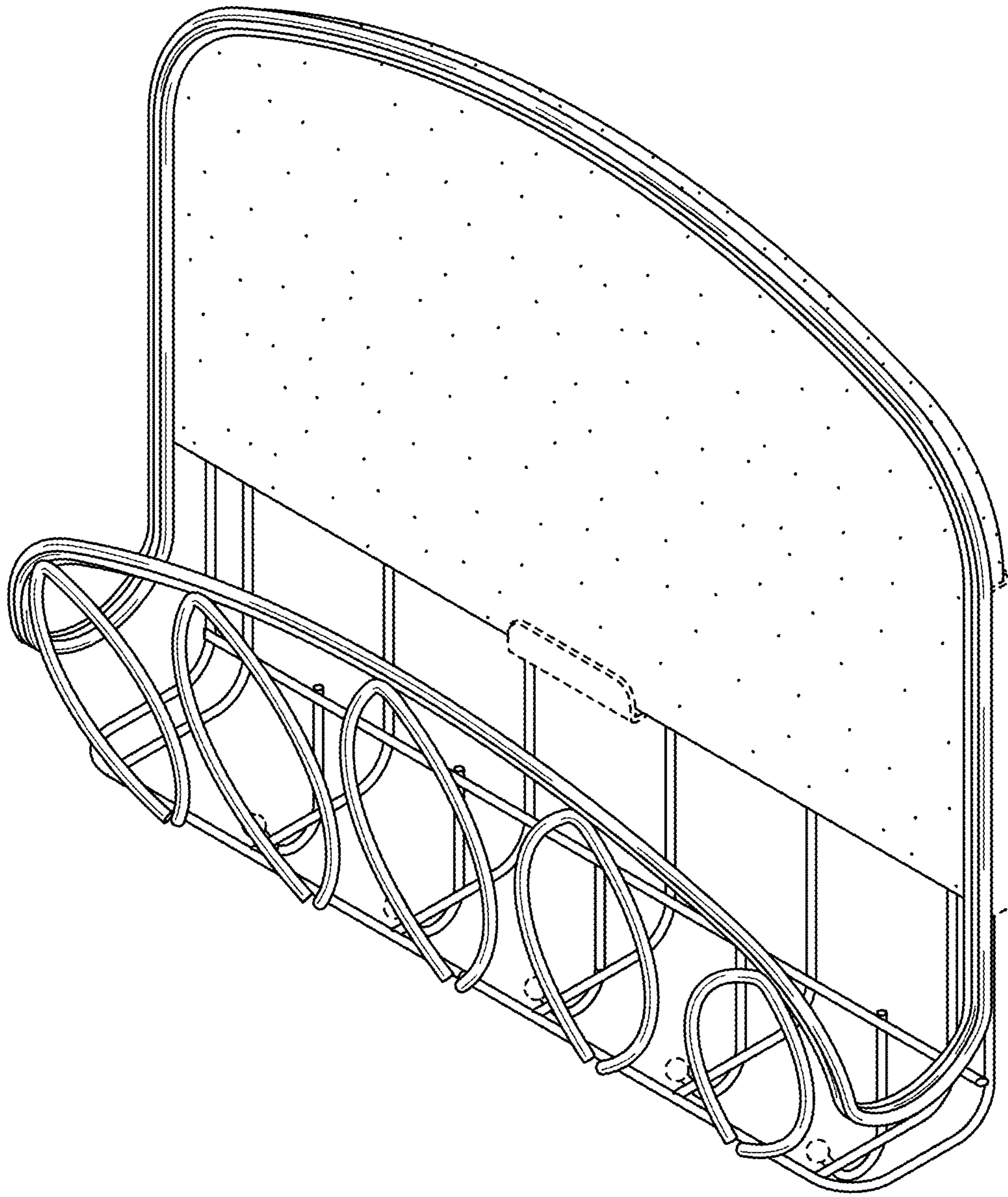


FIG. 1

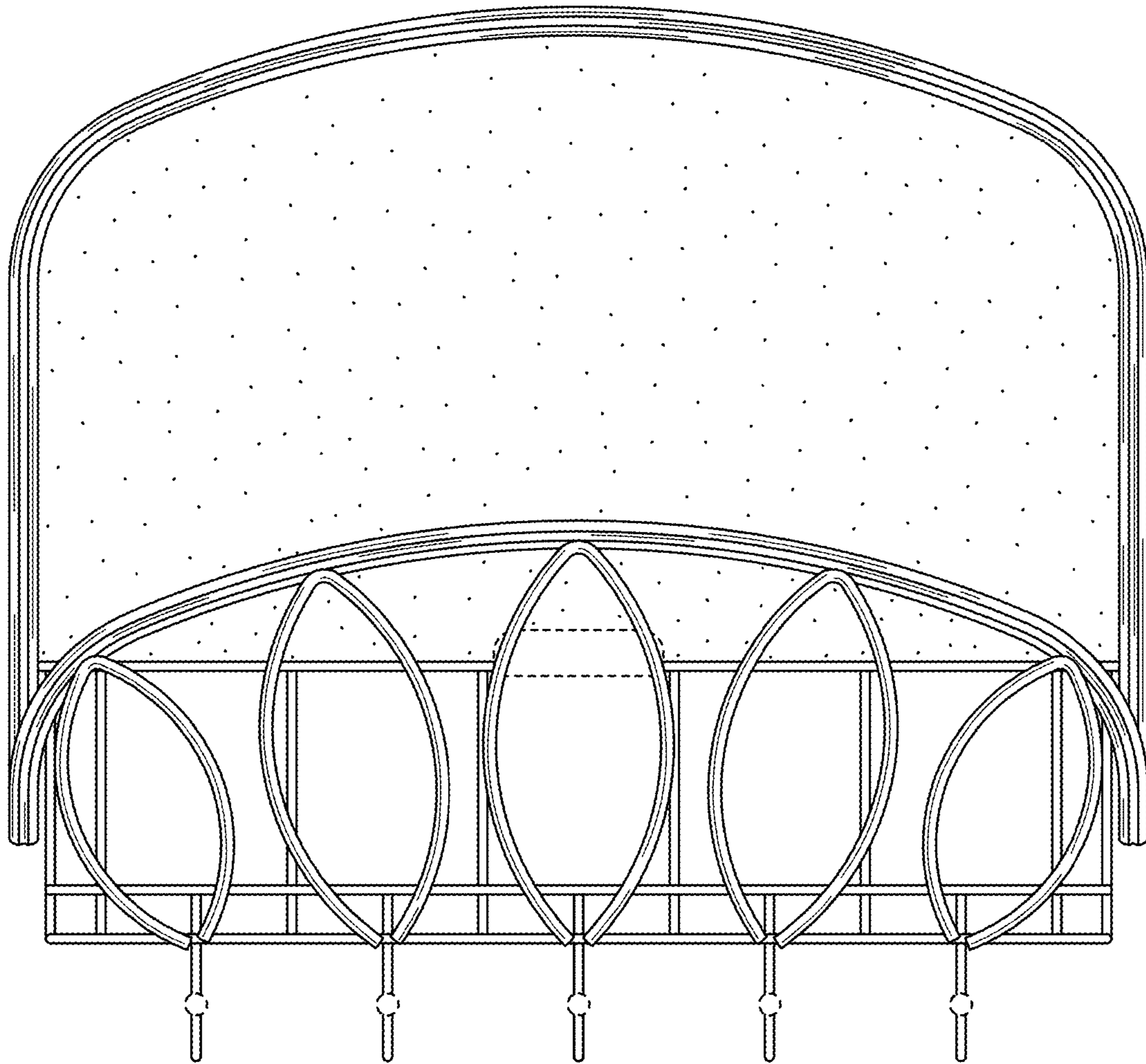


FIG. 2

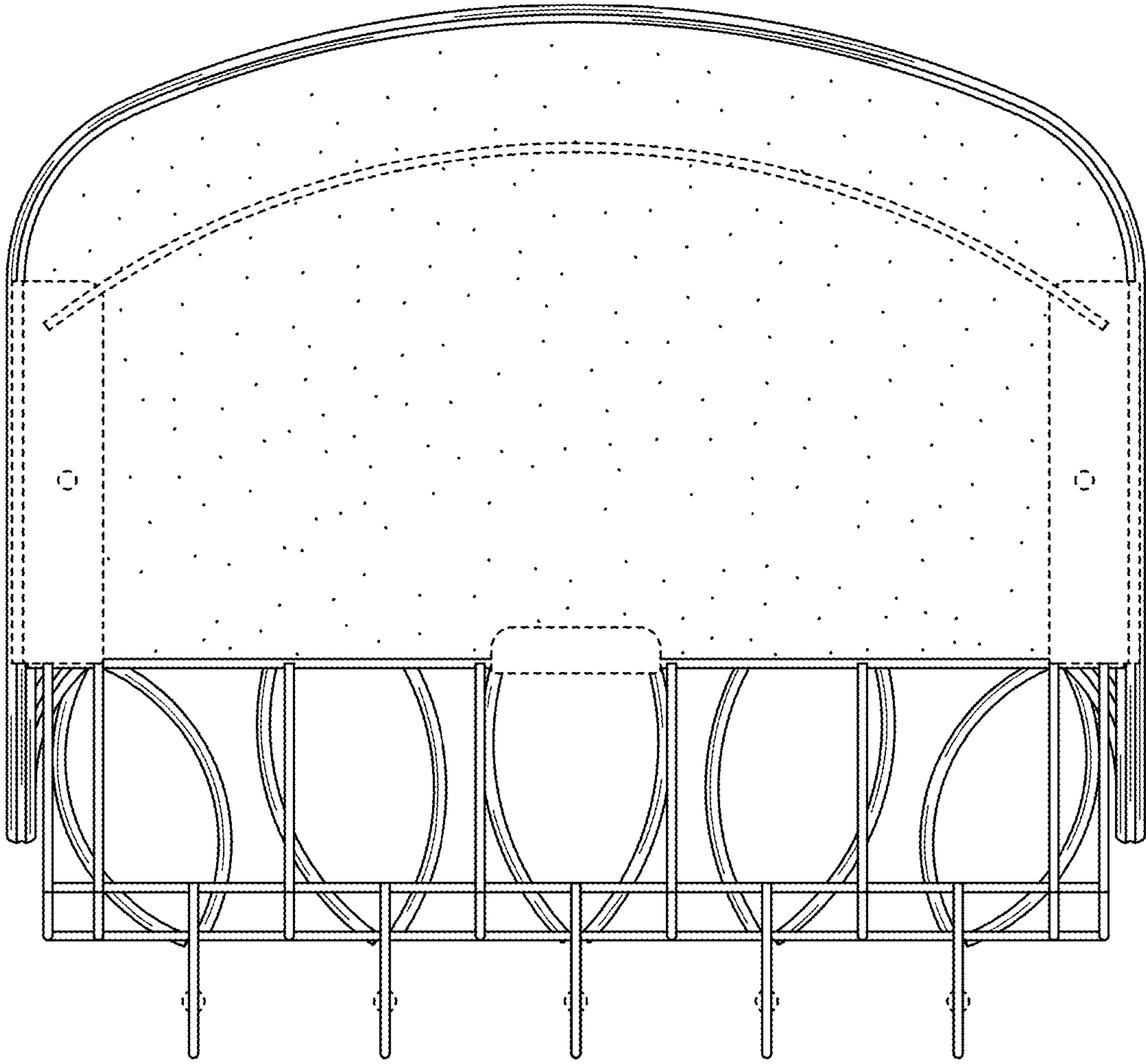


FIG. 3

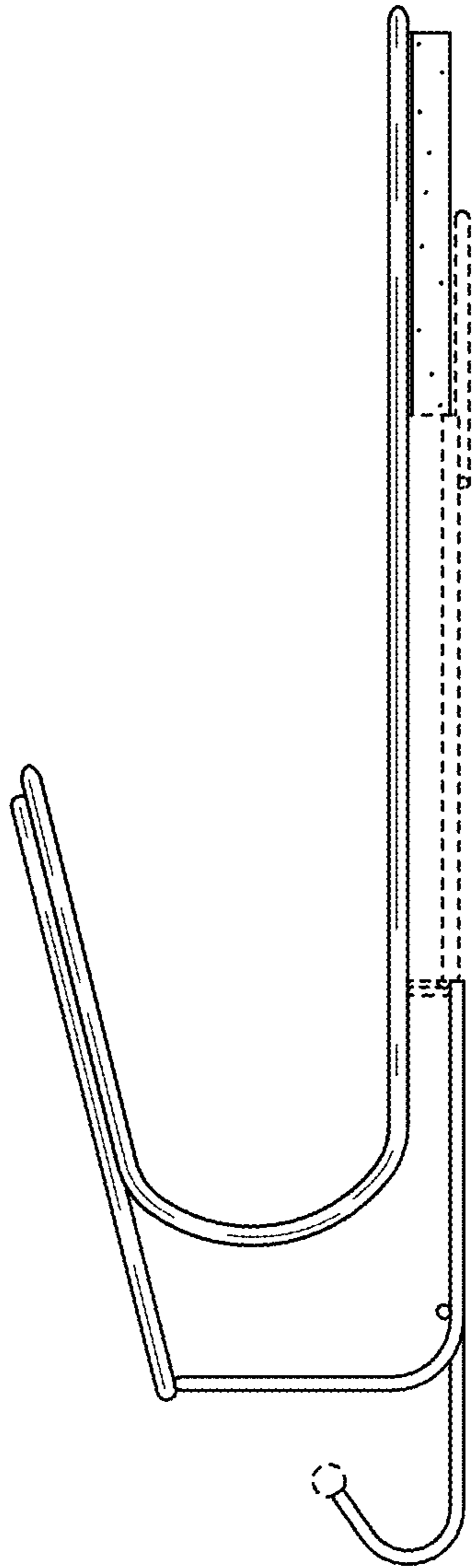


FIG. 4

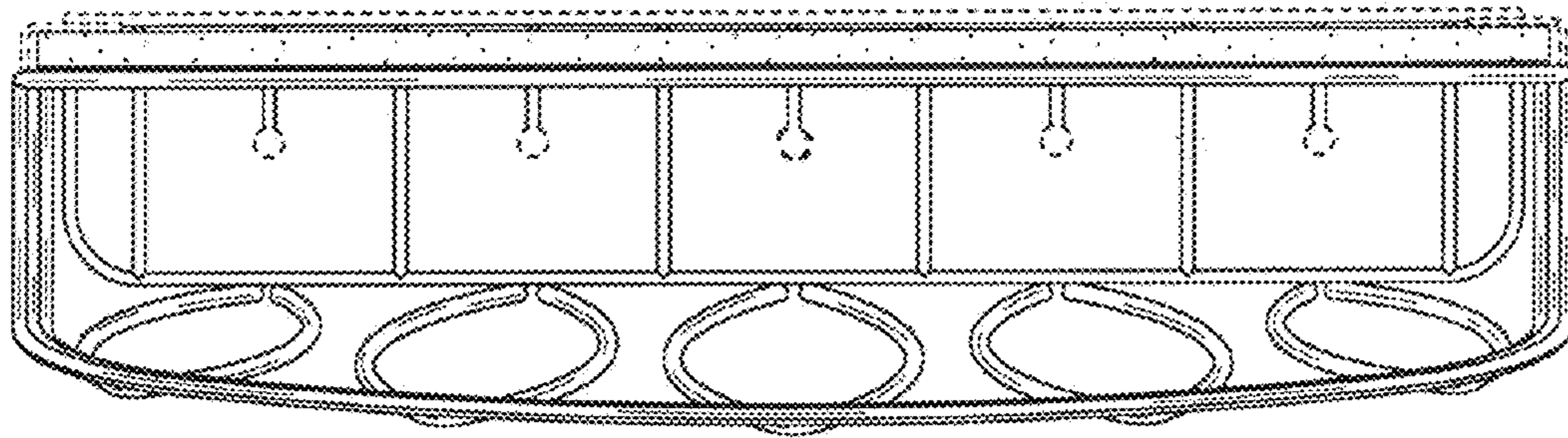


FIG. 5

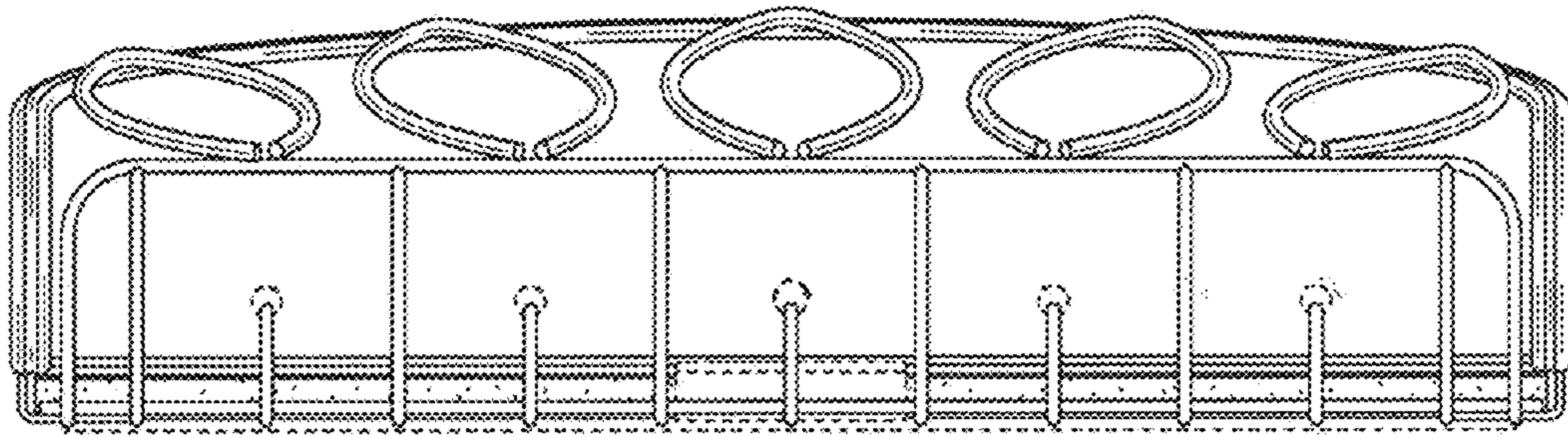


FIG. 6

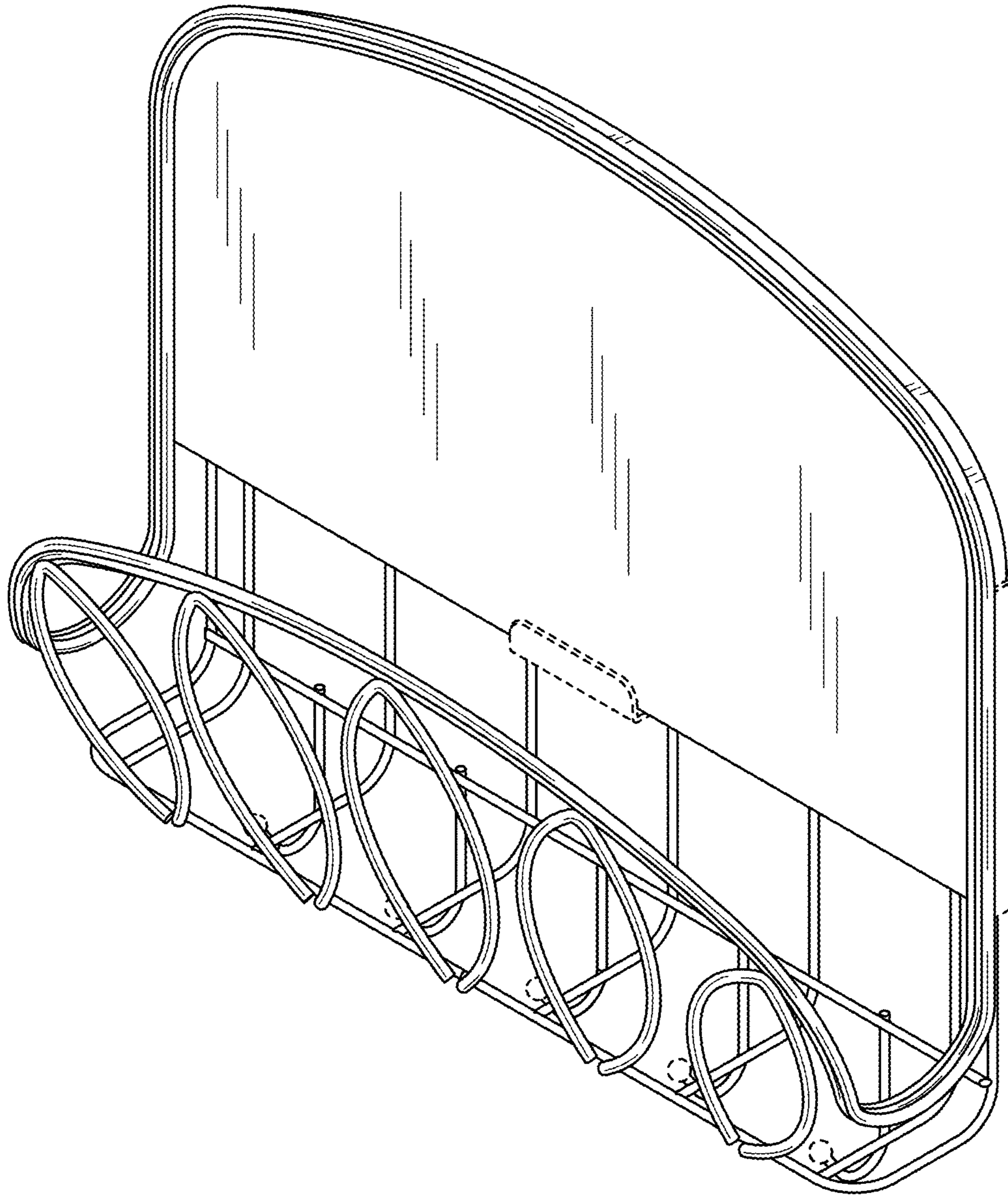


FIG. 7