



US00D771410S

(12) **United States Design Patent** (10) **Patent No.:** **US D771,410 S**
Hwang (45) **Date of Patent:** **** Nov. 15, 2016**

(54) **BRUSH HOLDER**

(71) Applicant: **F.S. KOREA INDUSTRIES INC.,**
Seoul (KR)

(72) Inventor: **Jae Kwang Hwang,** Seoul (KR)

(73) Assignee: **F.S. KOREA INDUSTRIES INC.,**
Dobong-Ro, Gangbuk-Gu, Seoul (KR)

(**) Term: **14 Years**

(21) Appl. No.: **29/524,610**

(22) Filed: **Apr. 21, 2015**

(30) **Foreign Application Priority Data**

Nov. 3, 2014 (KR) 30-2014-0052438

(51) **LOC (10) Cl.** **28-03**

(52) **U.S. Cl.**
USPC **D6/553**

(58) **Field of Classification Search**
USPC D6/553; D3/20, 26, 209; D28/38, 59,
D28/63, 66, 73; 29/426.2; 206/107, 385,
206/774

CPC A47K 2201/00; A47K 5/00; A45F 5/00;
A46B 11/00; A46B 17/02

See application file for complete search history.

(56) **References Cited**

U.S. PATENT DOCUMENTS

D481,573 S * 11/2003 Lin D6/551
D509,107 S * 9/2005 Lawson D28/73

D683,500 S * 5/2013 Cheung D28/38
2014/0325779 A1* 11/2014 Dansby A46B 17/02
15/168
2015/0296968 A1* 10/2015 Hwang A46B 9/021
15/106
2016/0007716 A1* 1/2016 Hwang A46B 5/0008
132/314
2016/0101927 A1* 4/2016 Empey B65B 5/06
29/426.2

* cited by examiner

Primary Examiner — Wan Laymon

Assistant Examiner — Mark Booker

(74) *Attorney, Agent, or Firm* — East West Law Group;
Heedong Chae

(57) **CLAIM**

The ornamental design for a brush holder, as shown and described.

DESCRIPTION

FIG. 1 is a perspective view of a brush holder showing my new design;

FIG. 2 is a front elevational view thereof;

FIG. 3 is a rear elevational view thereof;

FIG. 4 is a left side elevational view thereof;

FIG. 5 is a right side elevational view thereof;

FIG. 6 is a top plan view thereof;

FIG. 7 is a bottom plan view thereof;

FIG. 8 is a cross-sectional view taken along the line 8-8 of FIG. 4;

FIG. 9 is the first reference view; and,

FIG. 10 is the second reference view.

The broken line in the figure drawings represents unclaimed environment only and forms no part of the claimed design.

1 Claim, 9 Drawing Sheets

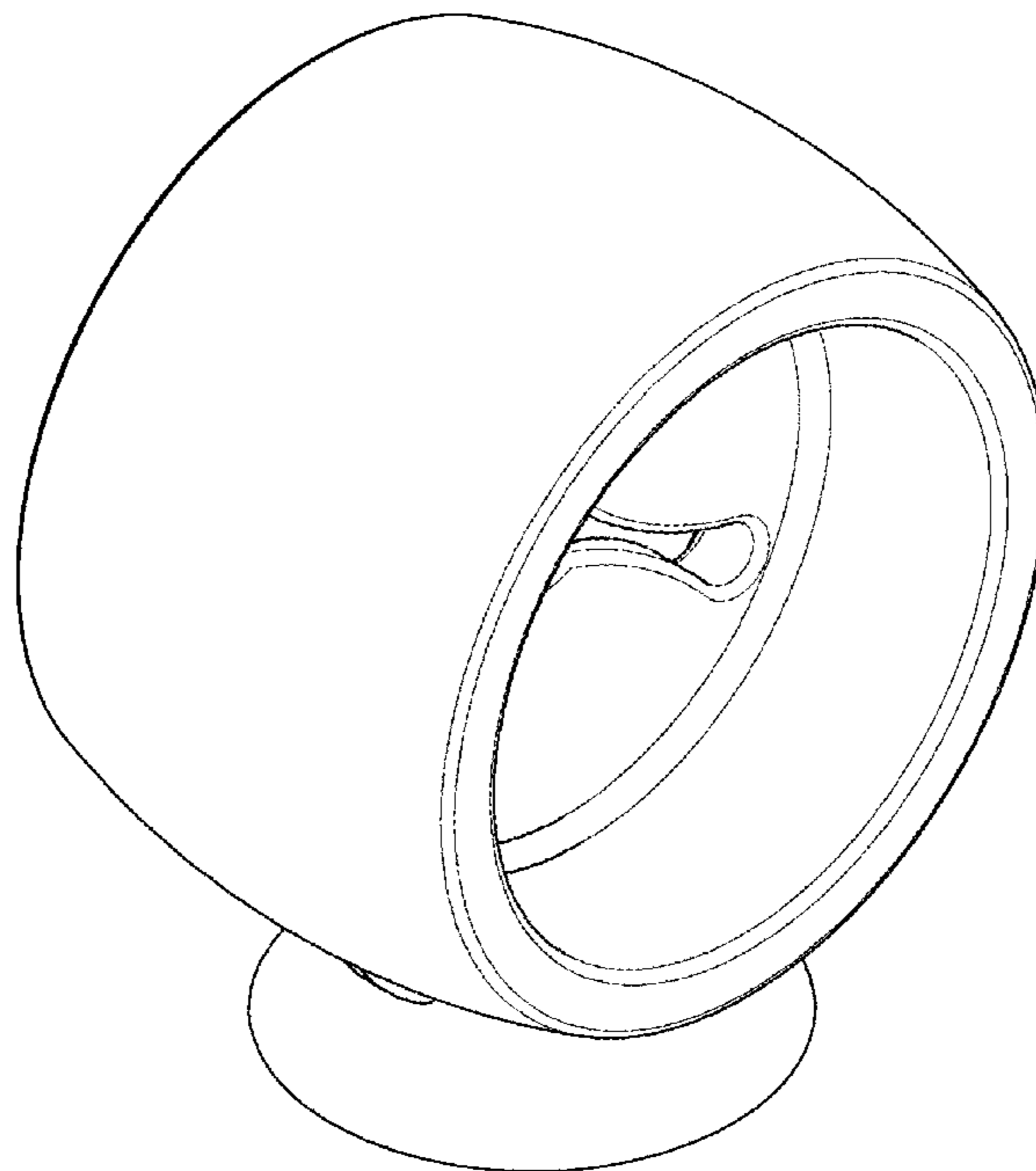


FIG. 1

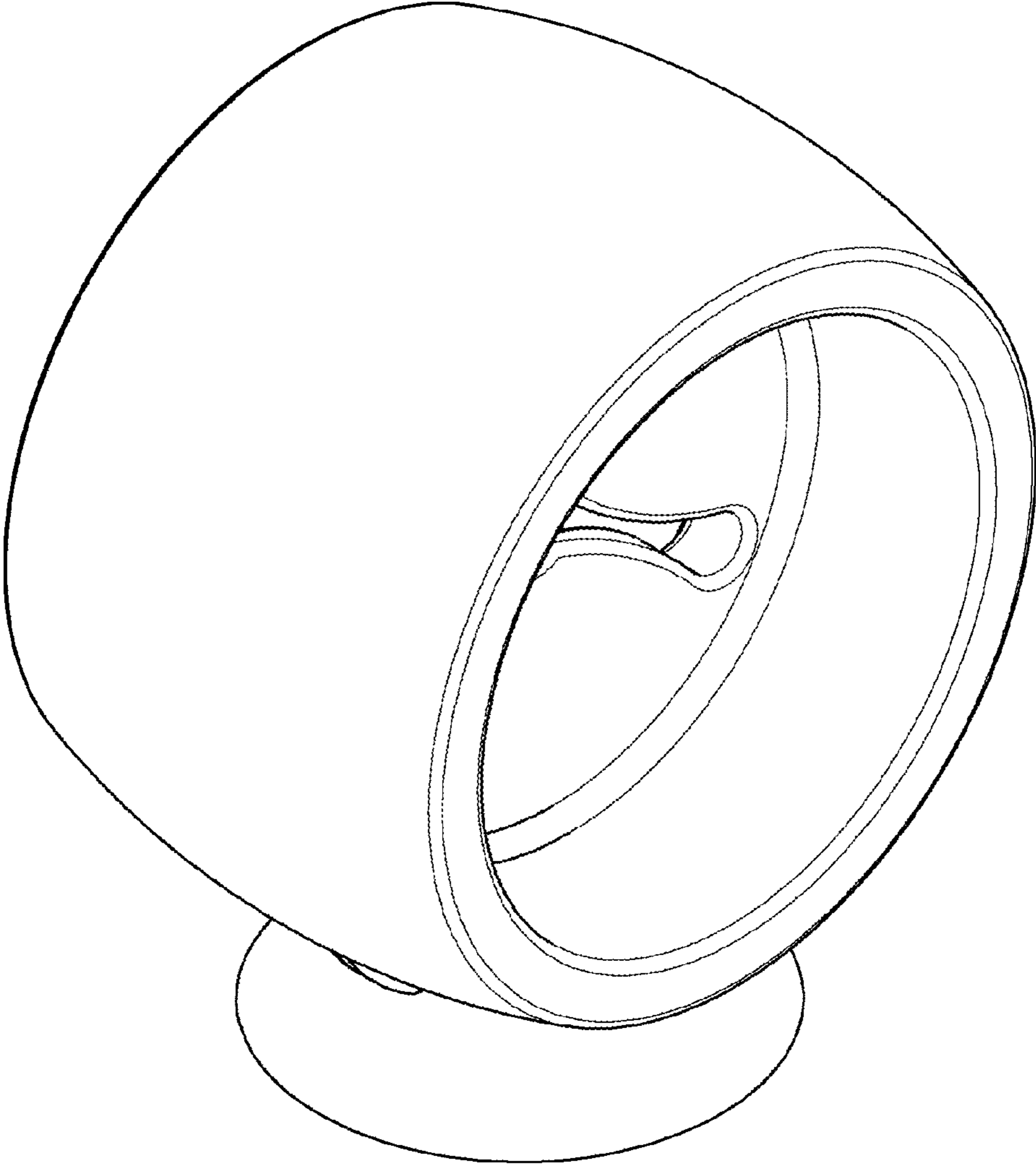


FIG. 2

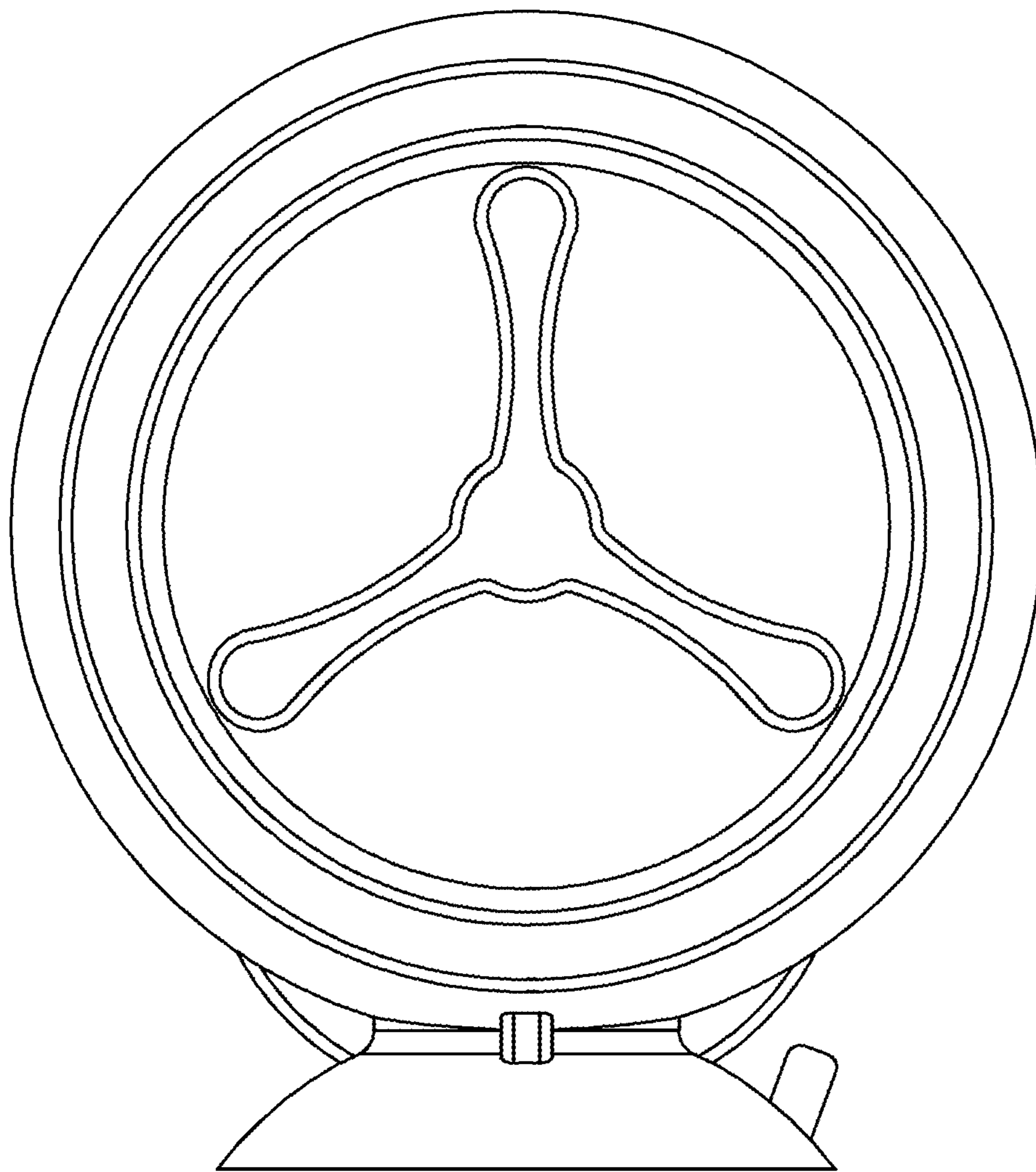


FIG. 3

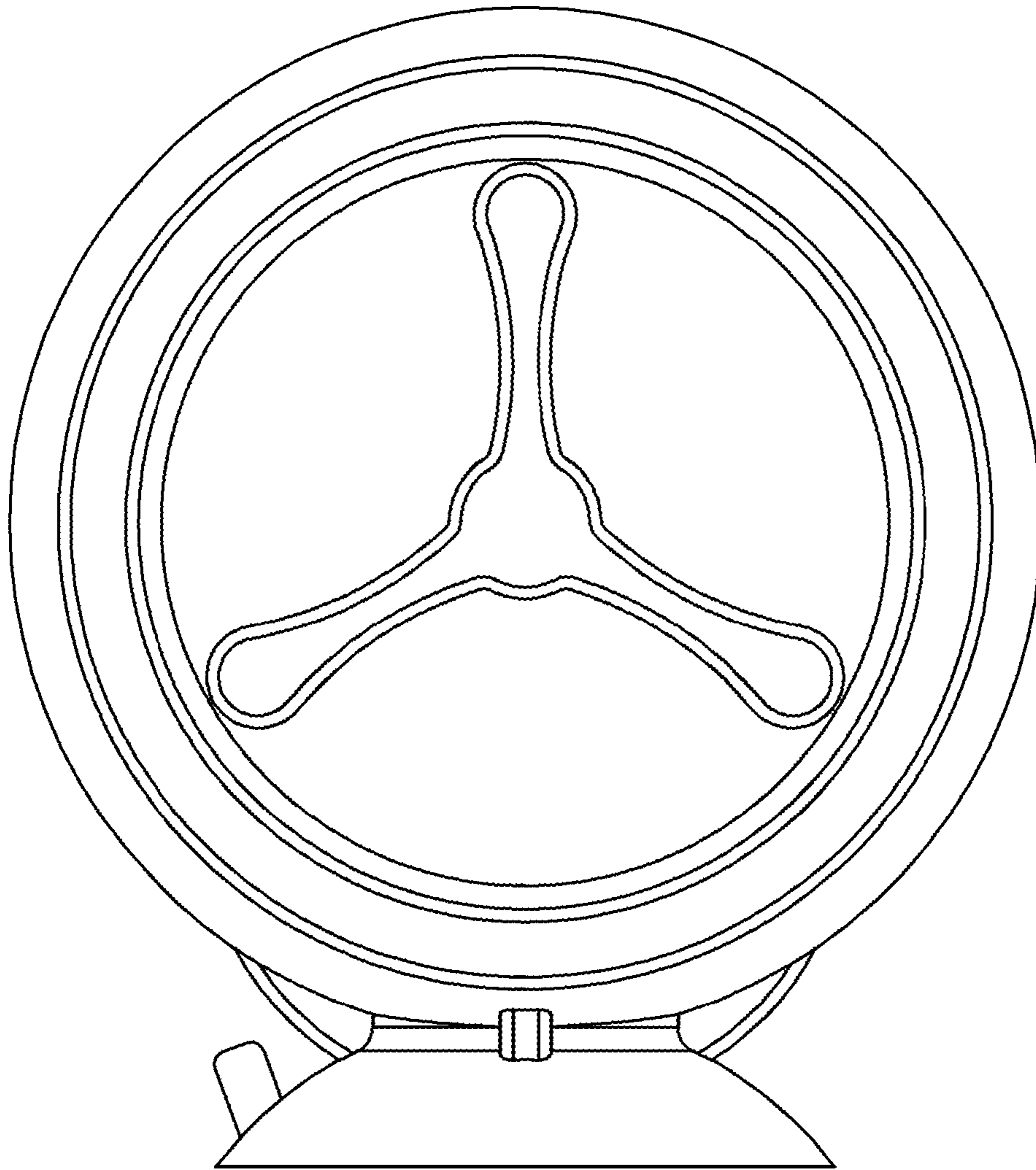


FIG. 4

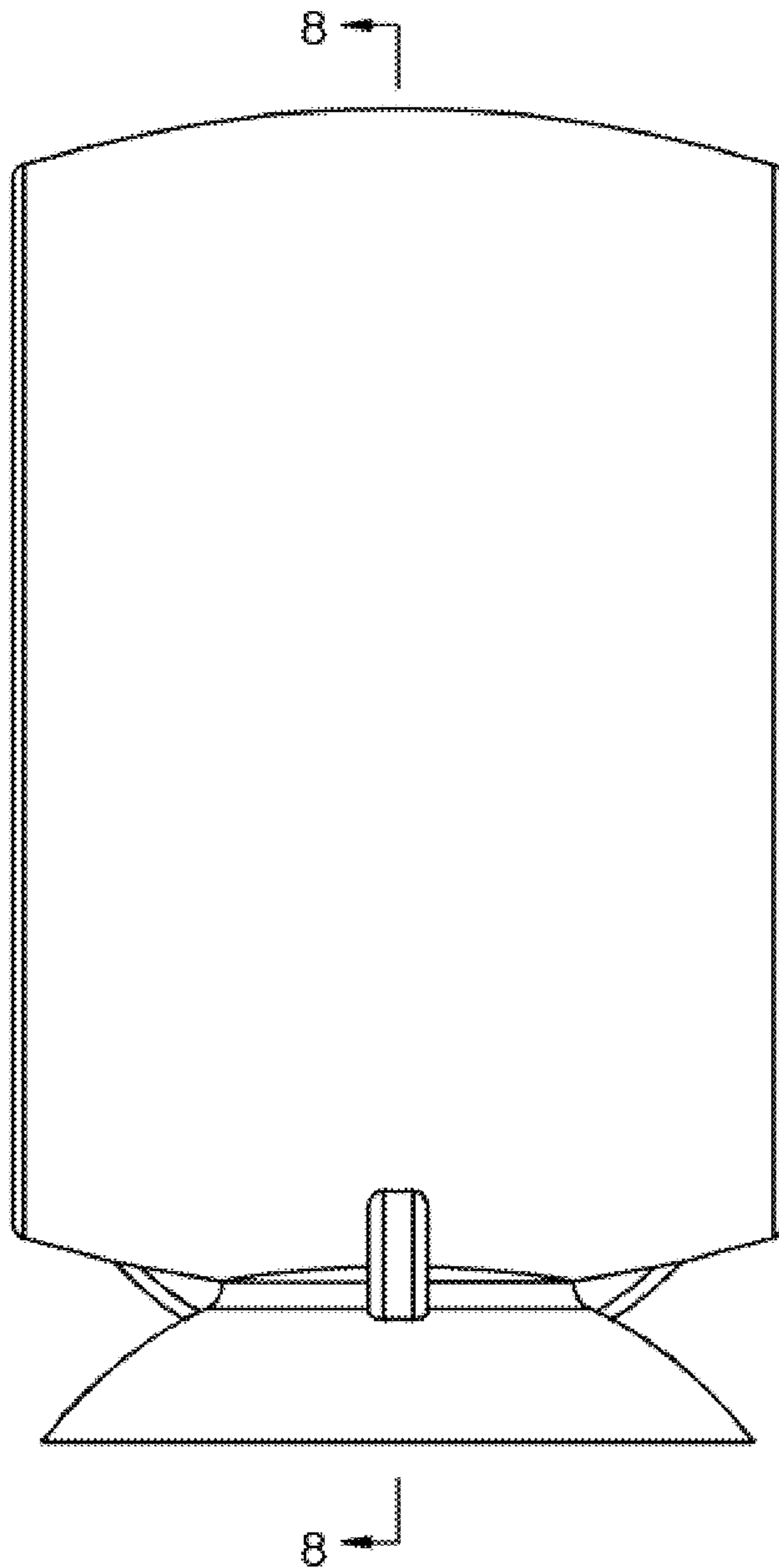


FIG. 5

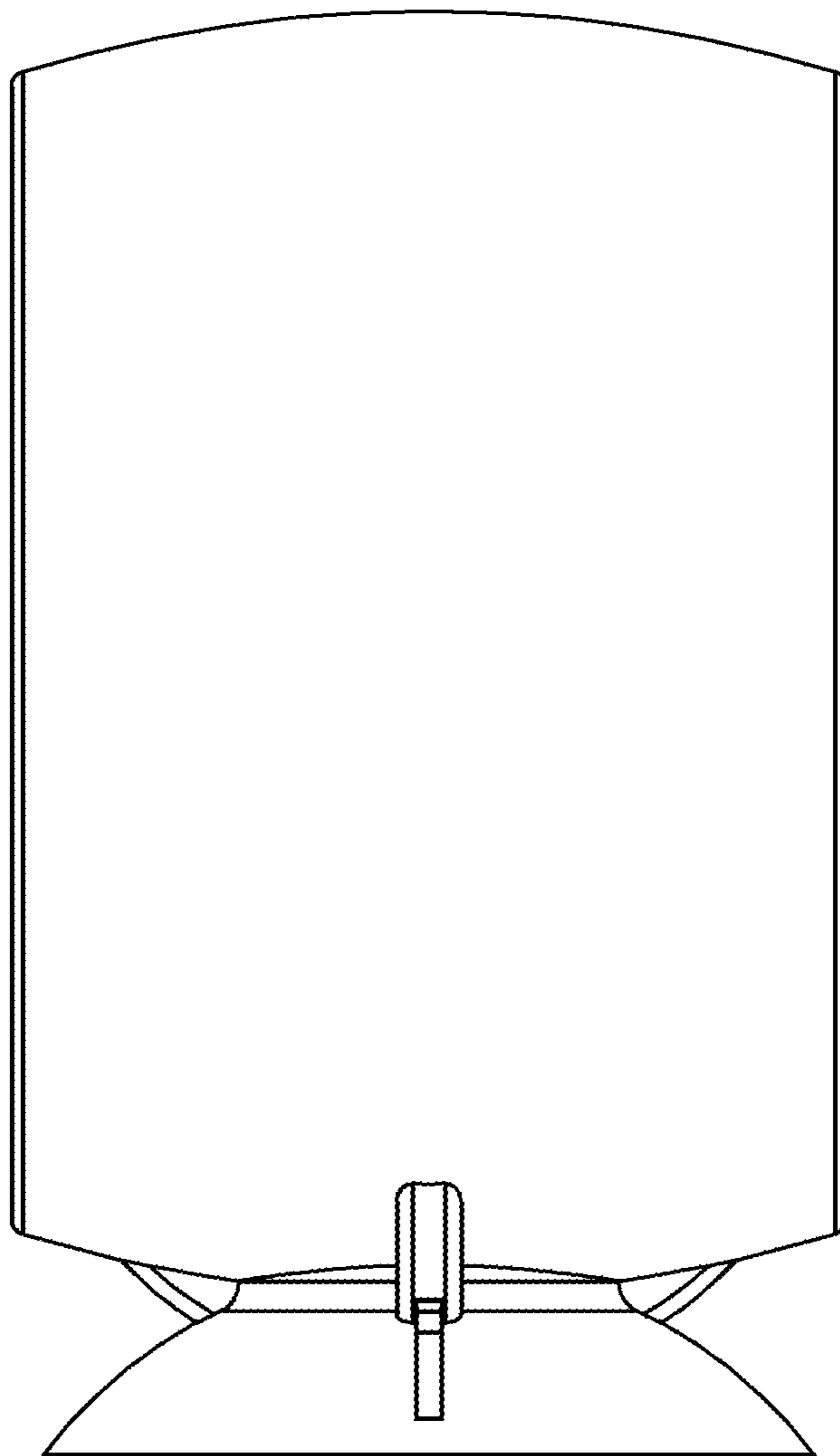


FIG. 6

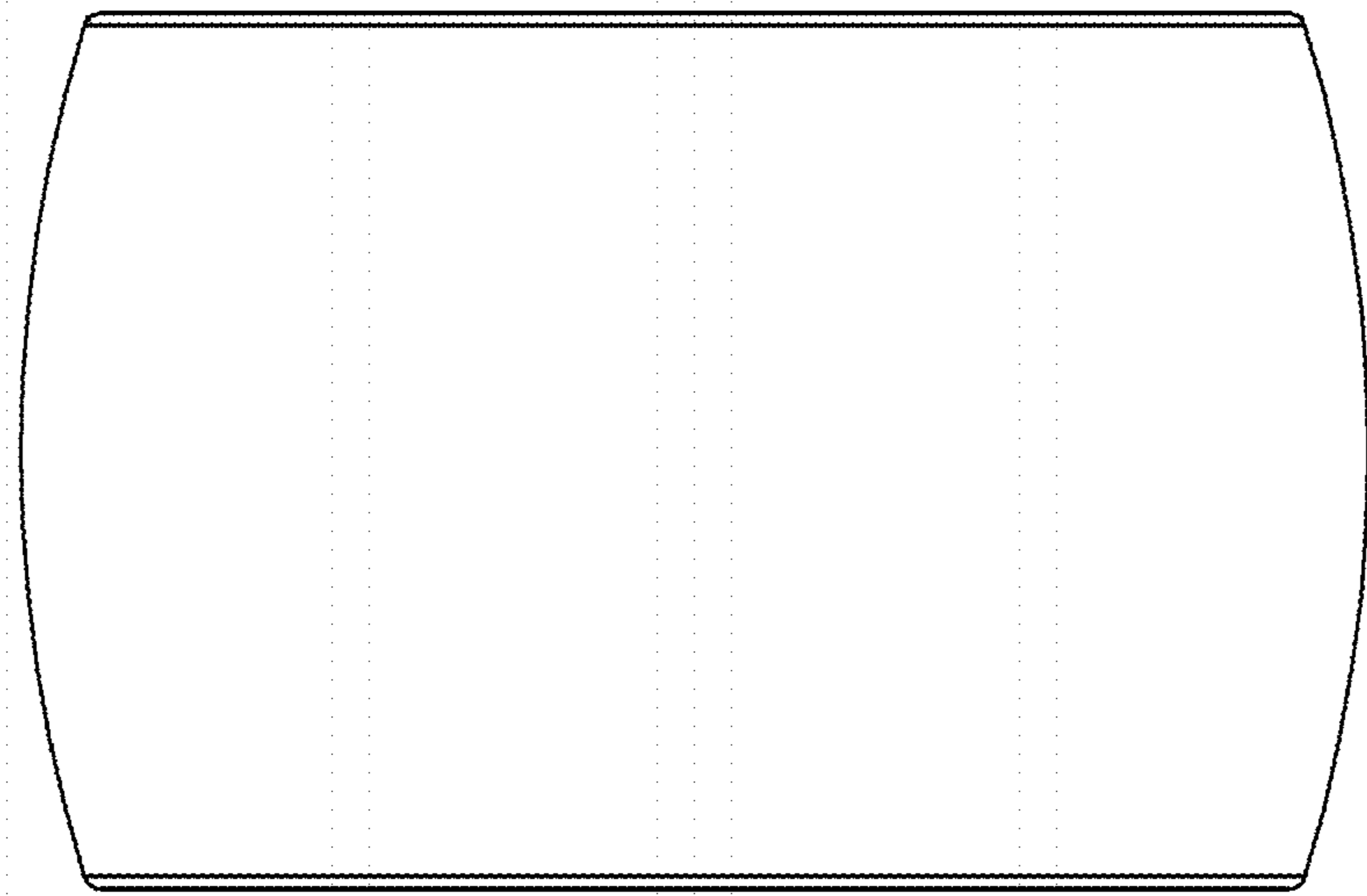


FIG. 7

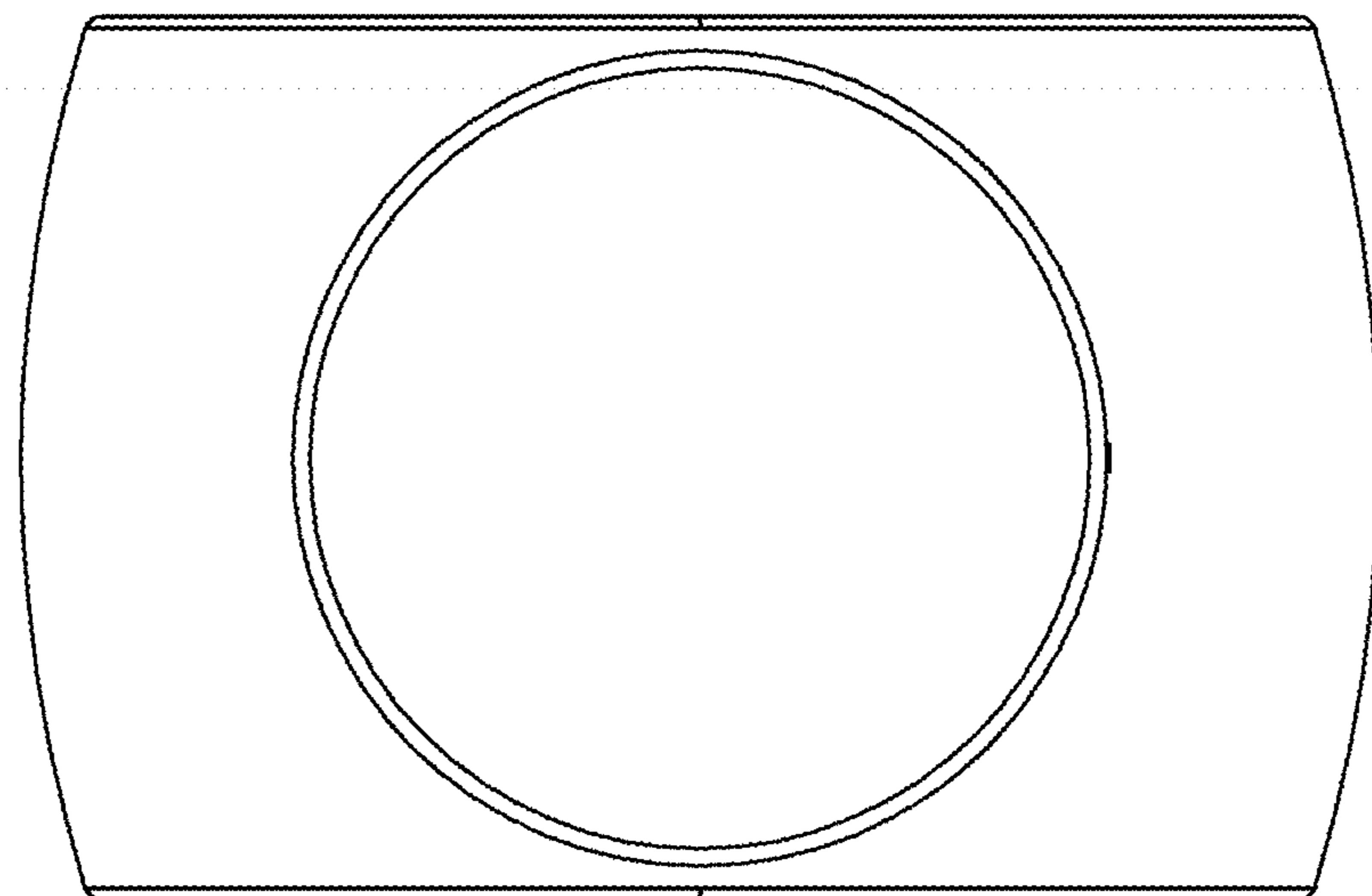


FIG. 8

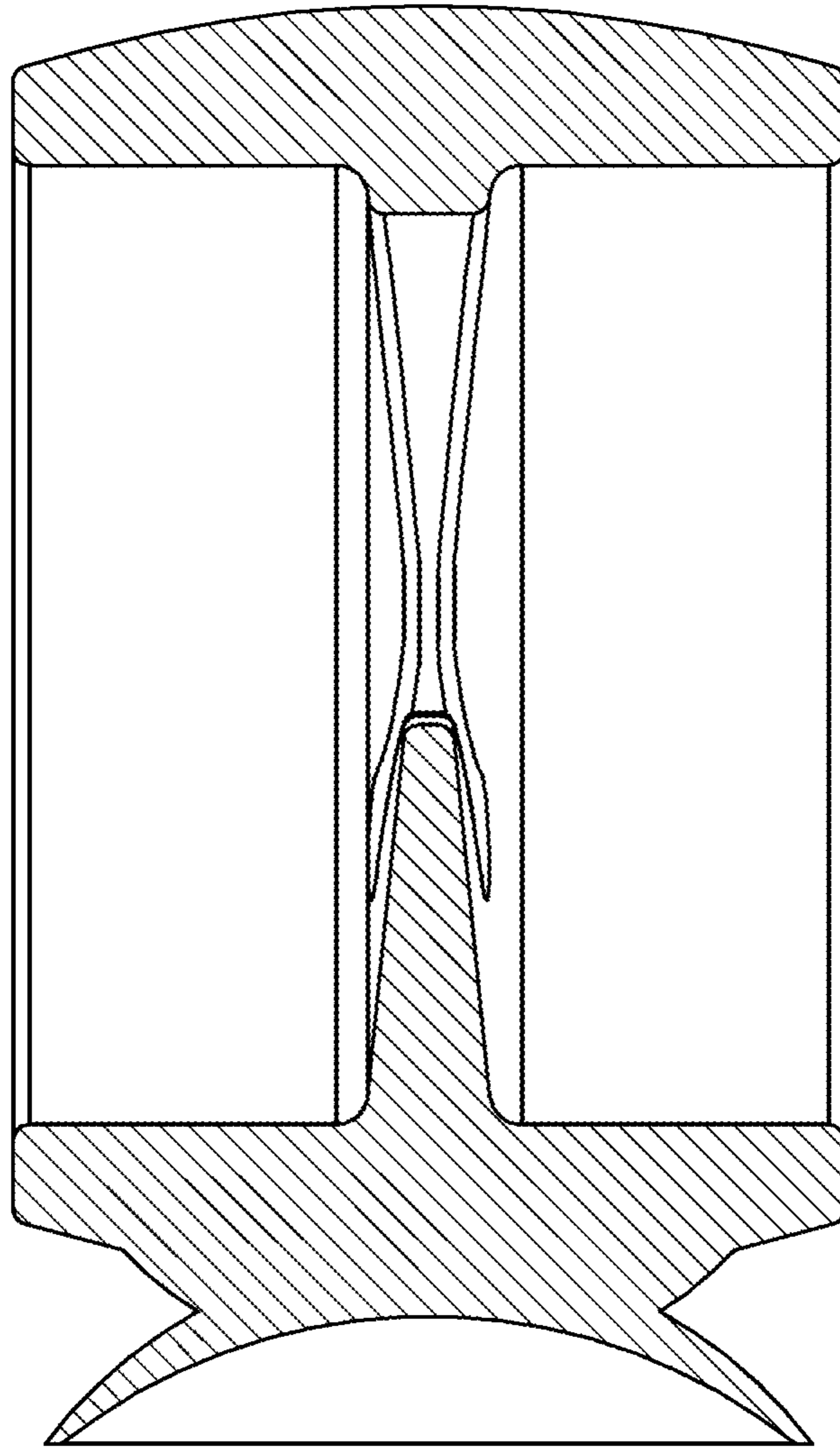


FIG. 9

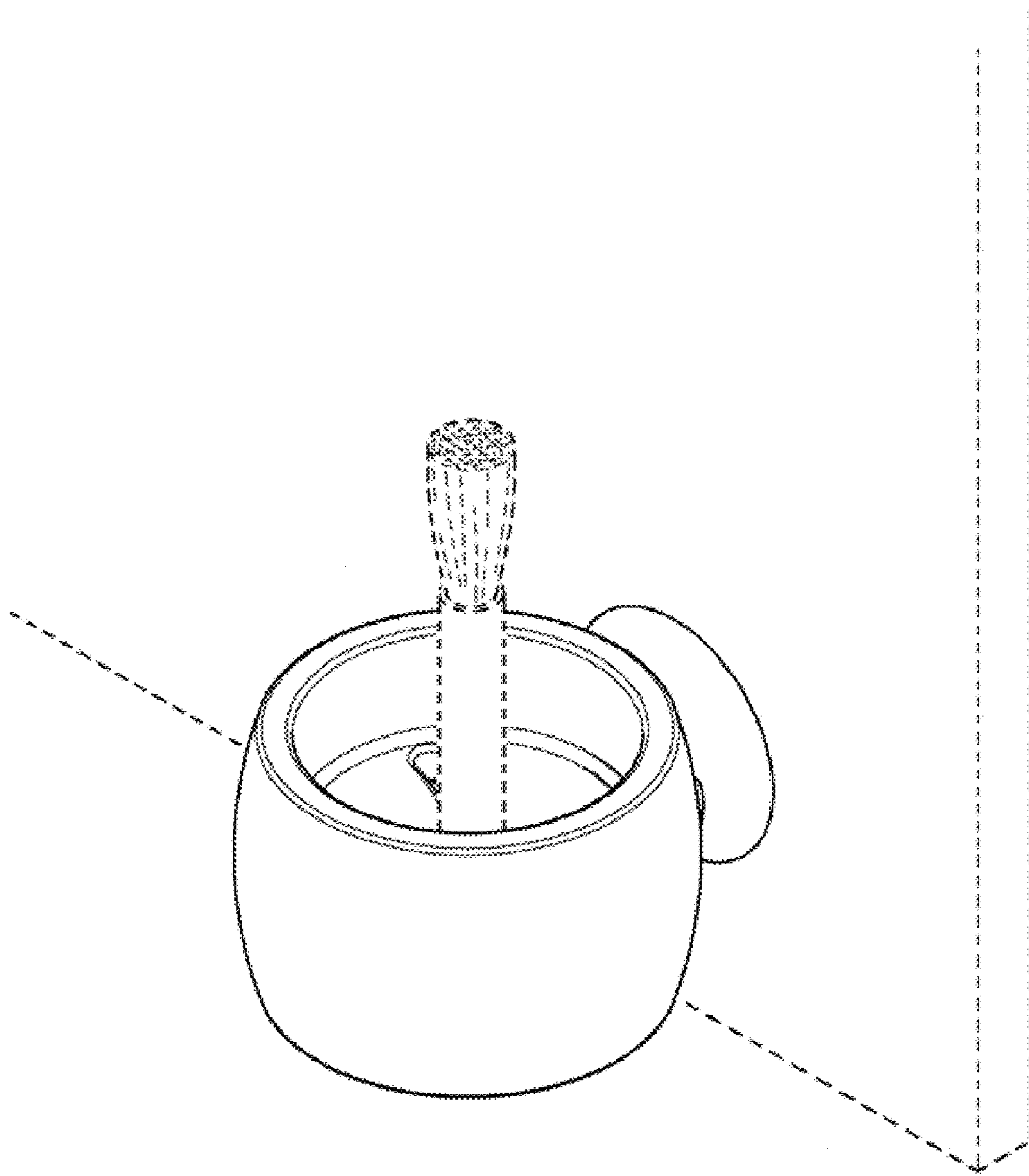


FIG. 10

