



US00D771408S

(12) **United States Design Patent** (10) **Patent No.:** **US D771,408 S**
Garland (45) **Date of Patent:** **** Nov. 15, 2016**

(54) **TOWEL BAR**

(71) Applicant: **Delta Faucet Company**, Indianapolis, IN (US)

(72) Inventor: **Celine Kwok Garland**, Zionsville, IN (US)

(73) Assignee: **DELTA FAUCET COMPANY**, Indianapolis, IN (US)

(**) Term: **15 Years**

(21) Appl. No.: **29/531,351**

(22) Filed: **Jun. 25, 2015**

(51) **LOC (10) Cl.** **06-04**

(52) **U.S. Cl.**
USPC **D6/549**

(58) **Field of Classification Search**

USPC D6/518-524, 546-550, 574; D8/300, D8/315, 370; 108/28-29; 211/13.1, 16, 211/85.5, 86.01, 87.01, 88.04, 100, 105.1, 211/105.2, 106, 106.1, 113, 123, 181.1, 211/182-183; 242/570, 590, 595-598; 248/175, 176.1, 200, 201, 205.1, 251, 248/302, 309.1, 315

CPC .. A47K 10/10; A47K 10/04; A47K 2201/02; A47K 2201/00; Y10S 16/40; Y10S 16/41; Y10T 16/458; Y10T 16/462; Y10T 16/513

See application file for complete search history.

(56) **References Cited**

U.S. PATENT DOCUMENTS

3,374,899 A *	3/1968	Bator	A47K 10/04 211/123
D327,196 S *	6/1992	Crook	D6/549
D466,741 S *	12/2002	Moore	D6/549
D468,145 S *	1/2003	Ouyoung	D6/549
D654,742 S *	2/2012	Slothower	D6/524
D668,490 S *	10/2012	Yoo	D6/524

* cited by examiner

Primary Examiner — Wan Laymon

Assistant Examiner — Mark Booker

(74) *Attorney, Agent, or Firm* — Edgar A. Zarins; Nirav D. Parikh

(57) **CLAIM**

The ornamental design for a towel bar, as shown and described.

DESCRIPTION

FIG. 1 is a perspective view of a towel bar showing my new design;

FIG. 2 is a front elevational view thereof;

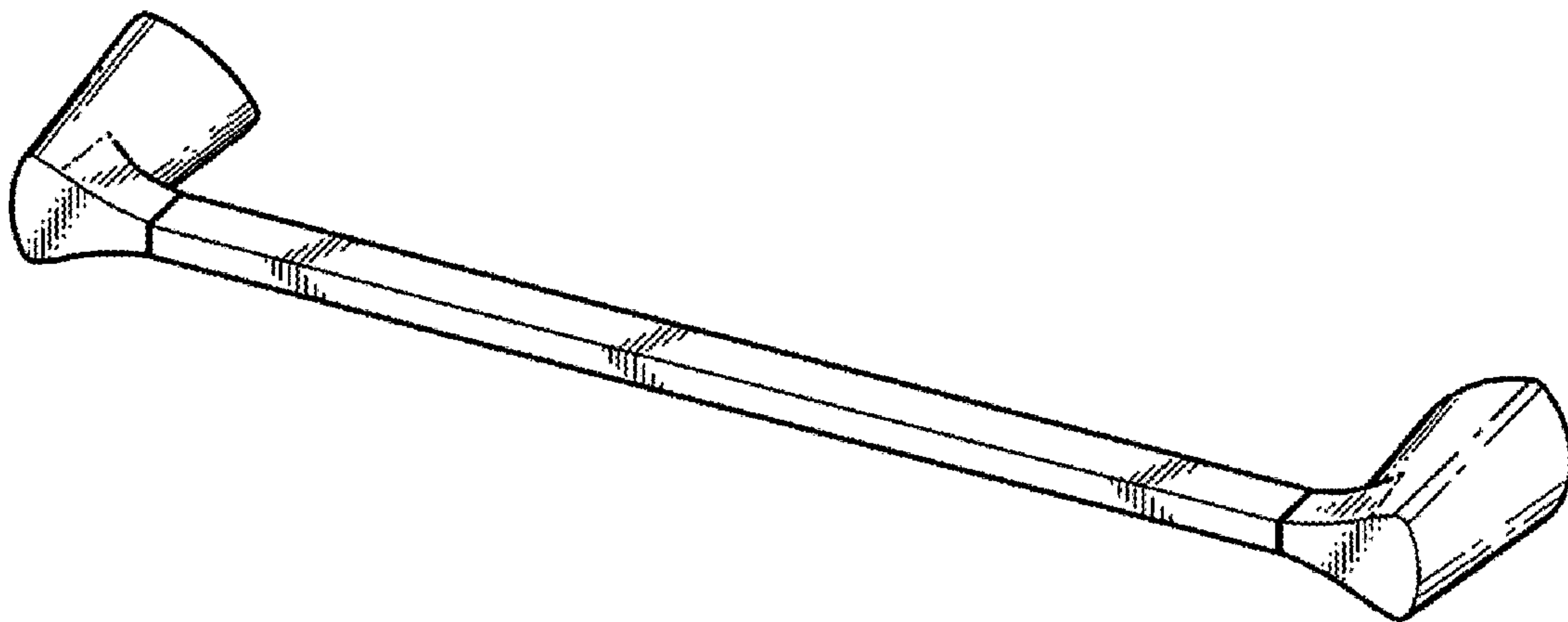
FIG. 3 is a top side view thereof, the opposite side being a mirror image of the side shown;

FIG. 4 is a rear view thereof; and,

FIG. 5 is a first end view thereof, the opposite end being a mirror image of the side shown.

The broken line showing in the figures is included for the purpose of illustrating portions of the towel bar and form no part of the claimed design.

1 Claim, 1 Drawing Sheet



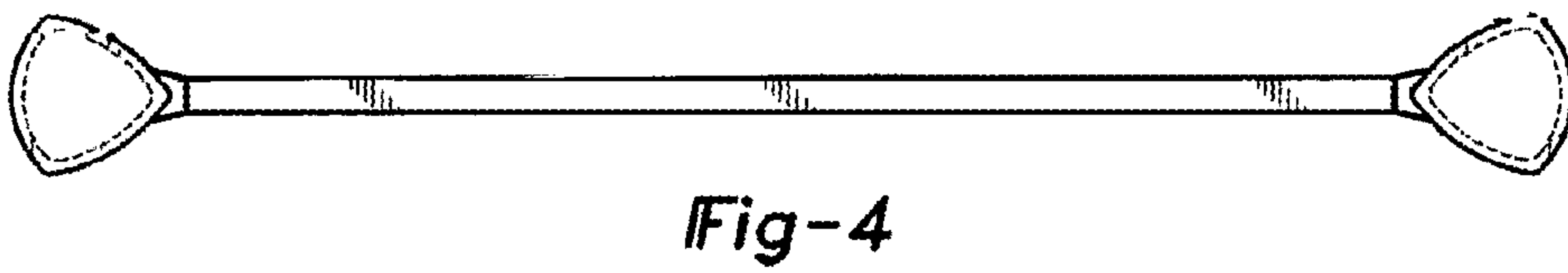
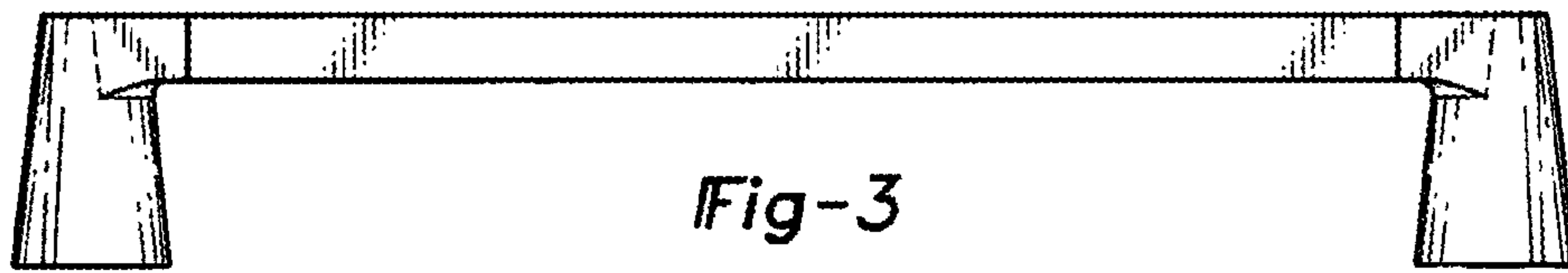
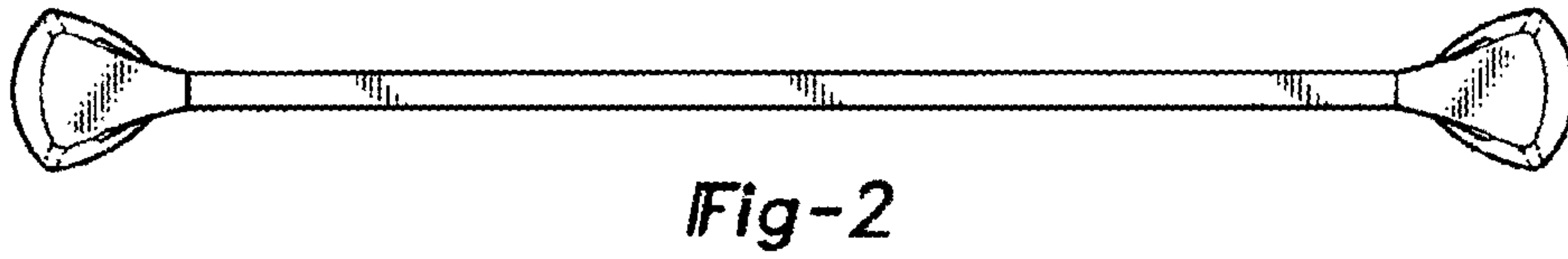
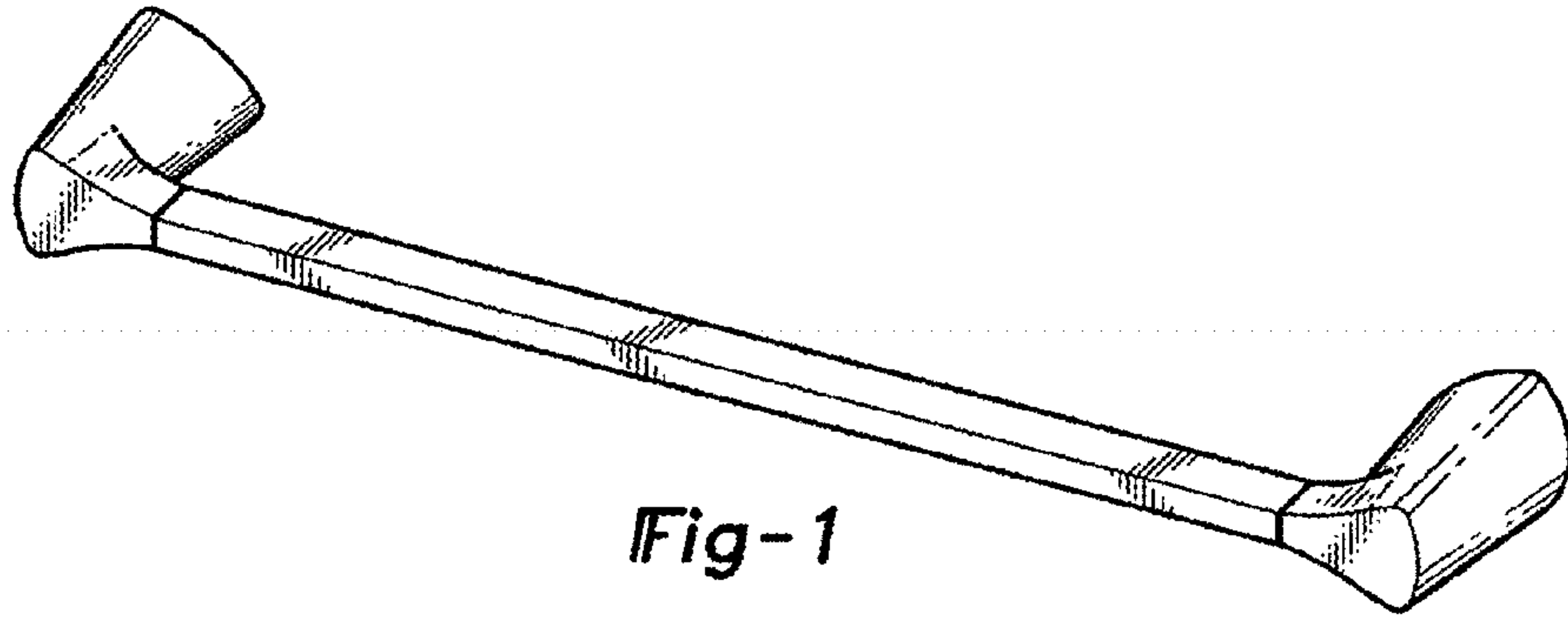


Fig-5