

US00D771407S

(12) **United States Design Patent** (10) **Patent No.:** **US D771,407 S**
Georgeson (45) **Date of Patent:** **** Nov. 15, 2016**

(54) **TOWEL HOLDER**
(71) Applicant: **Kohler Co.**, Kohler, WI (US)
(72) Inventor: **Paul B. Georgeson**, Milwaukee, WI (US)
(73) Assignee: **KOHLER CO.**, Kohler, WI (US)
(**) Term: **14 Years**

D409,398 S 5/1999 Sweetman
D415,259 S 10/1999 Slothower
D433,483 S 11/2000 Paredes
6,276,004 B1 8/2001 Bertrand et al.
D463,536 S 9/2002 Lord
D464,117 S 10/2002 Blomstrom
D472,061 S 3/2003 Hoernig
D474,932 S * 5/2003 Lai D6/524
D492,981 S 7/2004 Bloomstrom

(Continued)

(21) Appl. No.: **29/524,413**
(22) Filed: **Apr. 20, 2015**

OTHER PUBLICATIONS

US Office Action dated Apr. 26, 2016, regarding U.S. Appl. No. 29/524,409 (11 pages).

(Continued)

Related U.S. Application Data

(62) Division of application No. 29/494,785, filed on Jun. 24, 2014, now Pat. No. Des. 743,507.
(51) **LOC (10) Cl.** **08-08**
(52) **U.S. Cl.**
USPC **D6/546**
(58) **Field of Classification Search**
USPC D6/546, 524, 528-531, 534, 550;
206/361, 362, 362.1, 362.2, 362.3;
211/13.1, 60.1, 65, 66, 70.6, 89.01,
211/251, 302, 309.1, 315; 242/570, 590,
242/595-598; 248/49, 175, 176.1, 200,
248/201, 205.1, 251, 302, 309.1, 315
CPC A47K 5/02; A47K 10/10
See application file for complete search history.

Primary Examiner — Wan Laymon
Assistant Examiner — Mark Booker
(74) *Attorney, Agent, or Firm* — Foley & Lardner LLP

(57) **CLAIM**

I claim the ornamental design for a towel holder, as shown and described.

DESCRIPTION

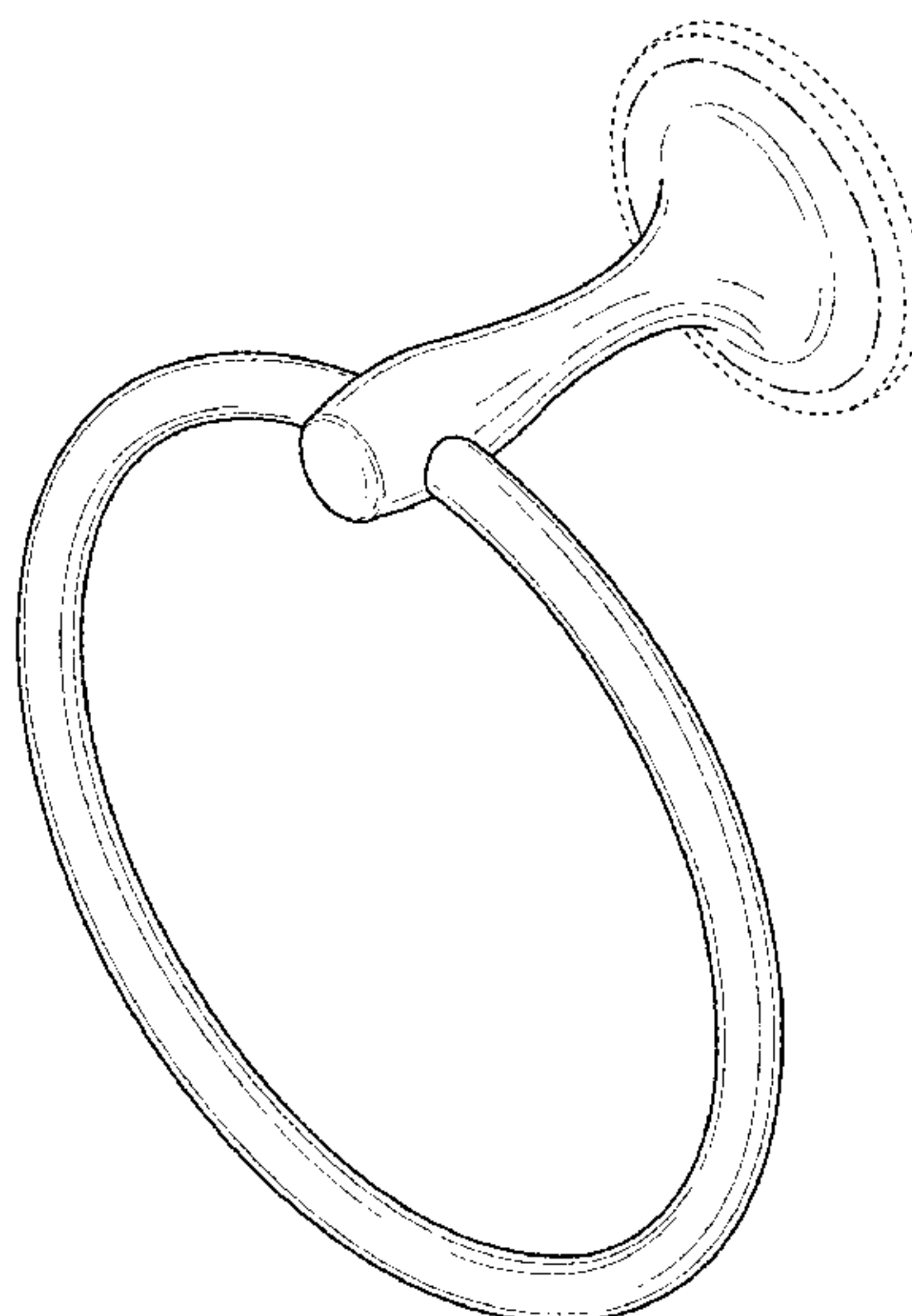
FIG. 1 is a top, front, right, perspective view of an embodiment of the claimed design;
FIG. 2 is a right elevation view thereof;
FIG. 3 is a left elevation view thereof;
FIG. 4 is a front elevation view thereof;
FIG. 5 is a rear elevation view thereof;
FIG. 6 is a top plan view thereof; and,
FIG. 7 is a bottom plan view thereof.
The ornamental design which is claimed is shown in solid lines in the drawings. The broken lines in the drawings form no part of the claimed design. Broken lines formed by equal length dashes show unclaimed subject matter. Broken lines formed by unequal length dashes (i.e., dash-dot) define bounds of the claimed design.

(56) **References Cited**

U.S. PATENT DOCUMENTS

239,465 A 3/1881 Delany
802,705 A 10/1905 Parker
1,597,477 A 8/1926 Panhorst
2,073,307 A 3/1937 Isenberg
D343,066 S 1/1994 Hsu
D349,948 S 8/1994 Bollenbacher et al.
D354,548 S 1/1995 Bollenbacher et al.
D408,188 S * 4/1999 Kuo D6/546

1 Claim, 7 Drawing Sheets



(56)

References Cited

U.S. PATENT DOCUMENTS

D496,258 S 9/2004 Fields
 D499,289 S * 12/2004 Chang D6/524
 D505,819 S * 6/2005 Hoernig D6/546
 D510,760 S 10/2005 Blomstrom
 D512,126 S 11/2005 Blomstrom
 D516,325 S 3/2006 Goodman
 D524,905 S 7/2006 Hoernig
 D526,132 S 8/2006 Solowiej
 D526,494 S 8/2006 Fields
 D528,837 S * 9/2006 Fields D6/546
 D531,271 S 10/2006 Kohler et al.
 D533,258 S 12/2006 Berberet
 D535,110 S 1/2007 Hoernig
 D536,561 S 2/2007 Berberet
 D544,220 S 6/2007 McConnell
 D544,221 S 6/2007 Krumpe
 D548,469 S 8/2007 Hoernig
 D554,404 S * 11/2007 Chang D6/524
 D563,109 S 3/2008 Krumpe et al.
 D566,818 S 4/2008 Kohler et al.
 D569,486 S 5/2008 Fritz et al.
 D572,799 S 7/2008 Kohler et al.
 D578,780 S 10/2008 Lee
 D590,913 S 4/2009 Smith et al.
 D600,481 S * 9/2009 Yoo D6/546
 D603,023 S 10/2009 Tippens et al.

D612,016 S 3/2010 Williams
 D630,027 S 1/2011 Romero
 D636,461 S 4/2011 Romero
 D644,304 S 8/2011 Slothower et al.
 D649,224 S 11/2011 McKeone
 D652,482 S 1/2012 Obara et al.
 D661,782 S 6/2012 Slothower et al.
 D671,819 S 12/2012 Kwok et al.
 D672,565 S 12/2012 Nazario
 D680,626 S 4/2013 Kwok
 D682,396 S 5/2013 Romero
 D682,991 S 5/2013 Liao
 D697,178 S 1/2014 Georgeson et al.
 D706,119 S 6/2014 Georgeson
 D713,002 S 9/2014 McKeone et al.
 D713,942 S 9/2014 Potter et al.
 D718,418 S 11/2014 Georgeson et al.
 D732,936 S * 6/2015 Chang D8/363
 D734,426 S 7/2015 Hundley et al.

OTHER PUBLICATIONS

US Office Action dated Nov. 17, 2015, from related U.S. Appl. No. 29/524,392.
 US Office Action dated Apr. 26, 2016 in related U.S. Appl. No. 29/524,409.

* cited by examiner

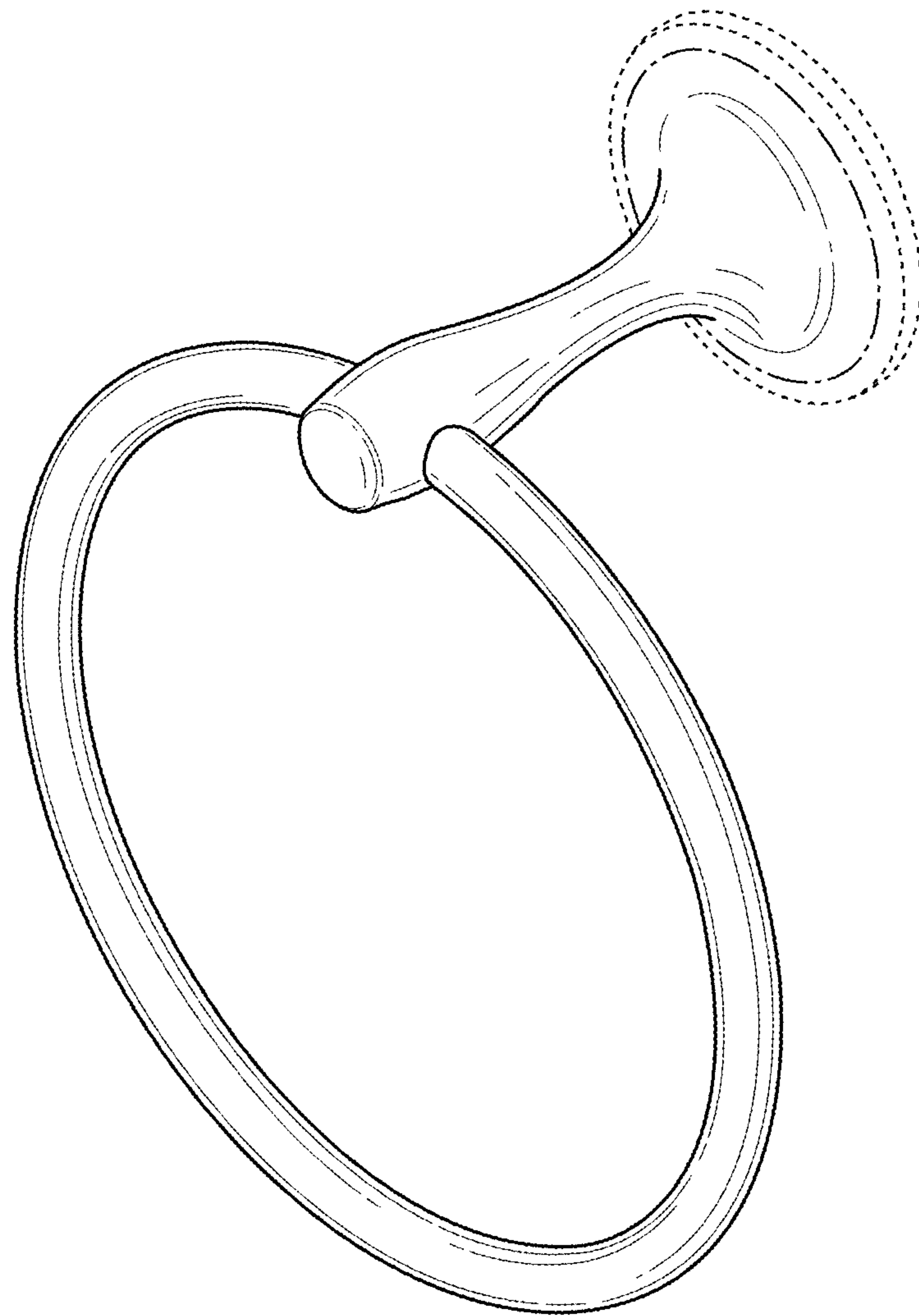


FIG. 1

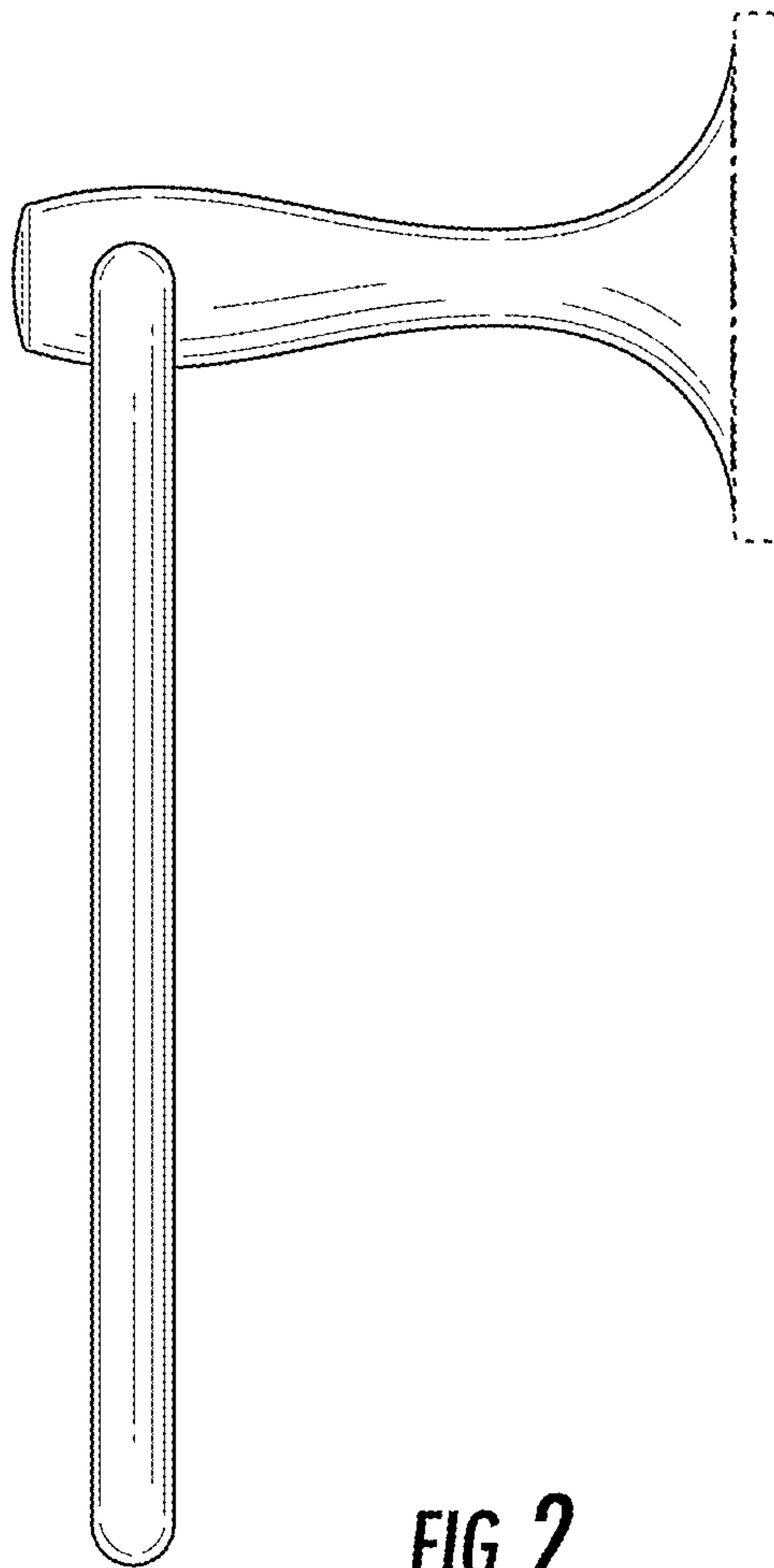


FIG. 2

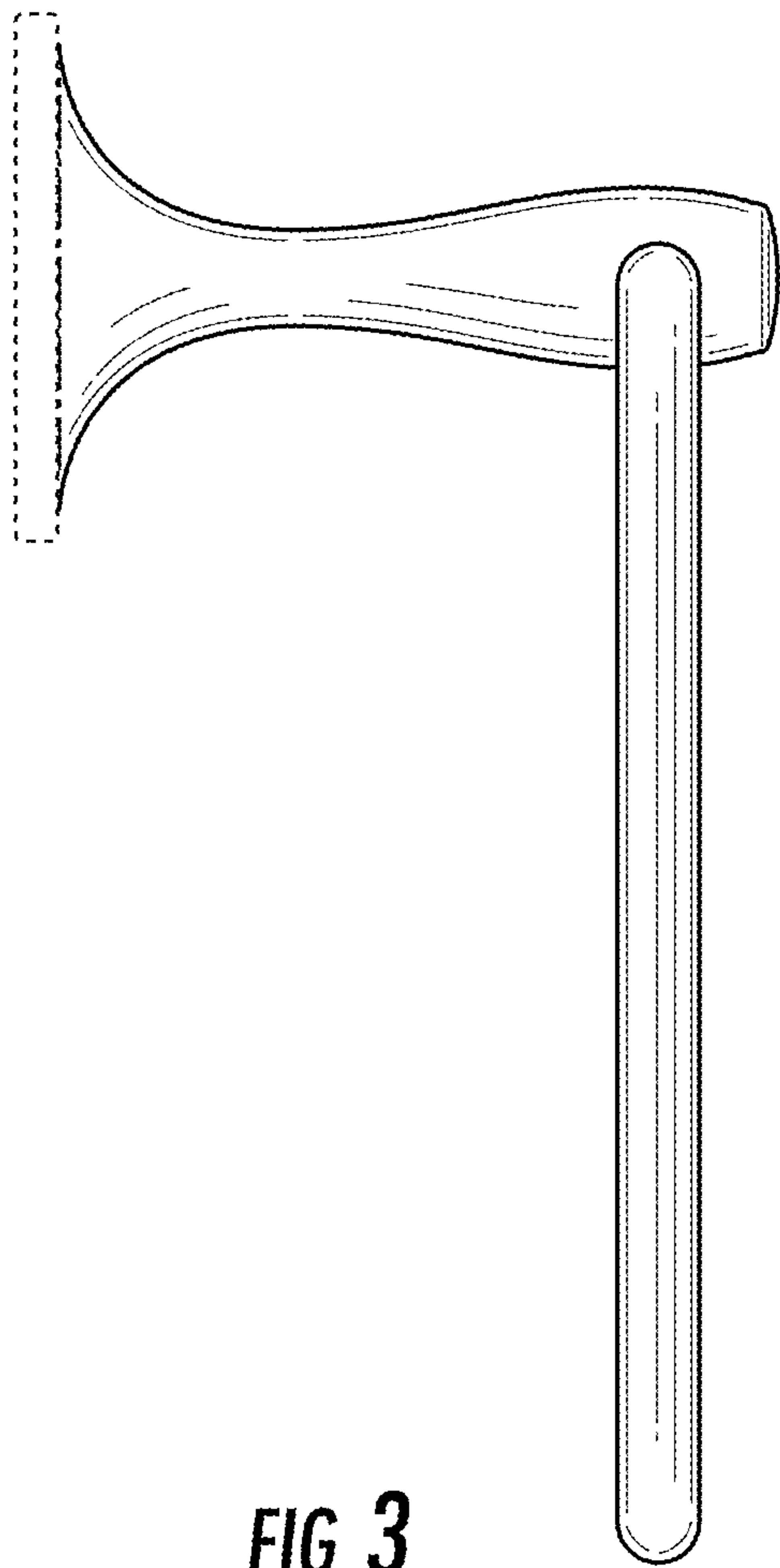


FIG. 3

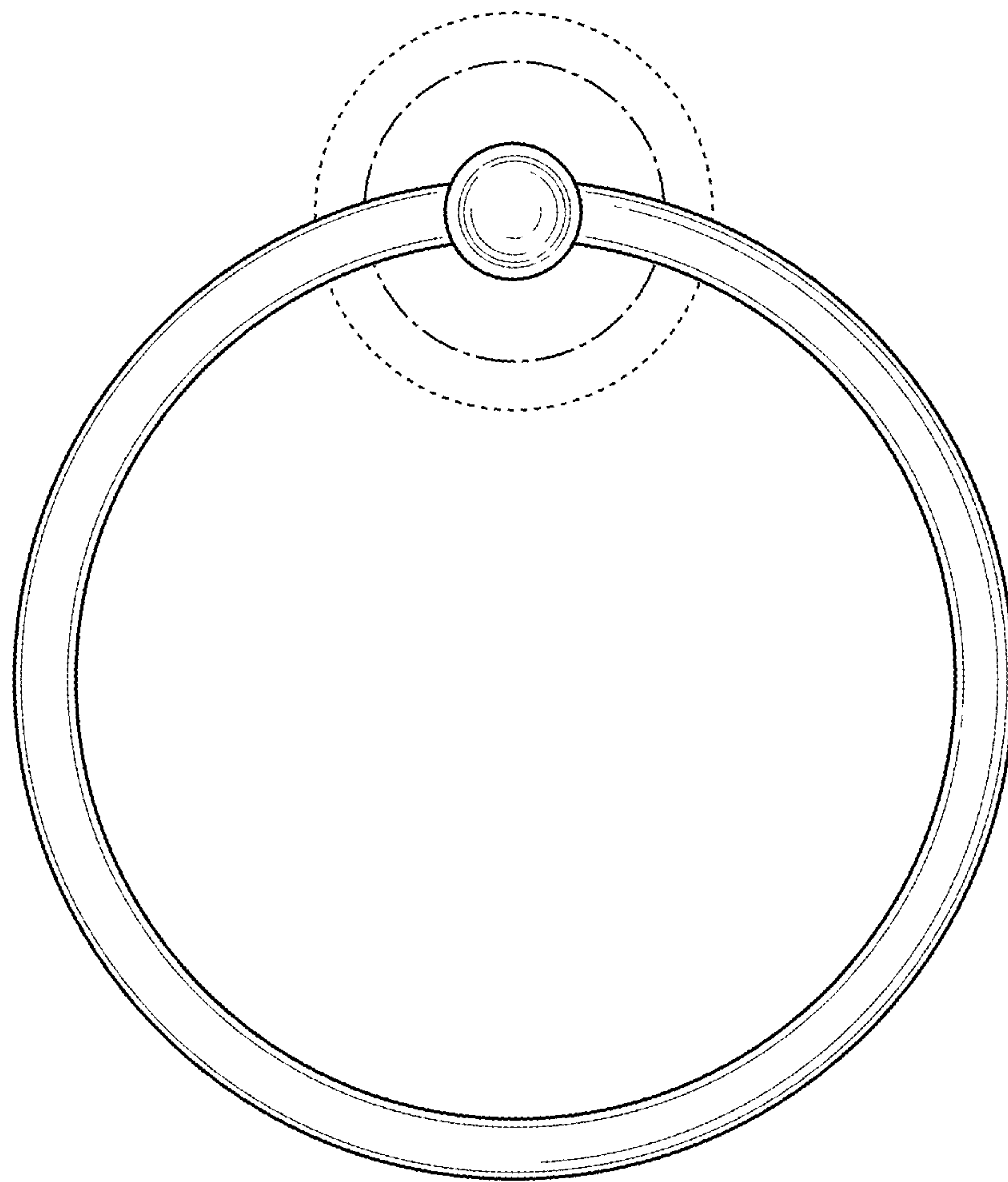


FIG. 4

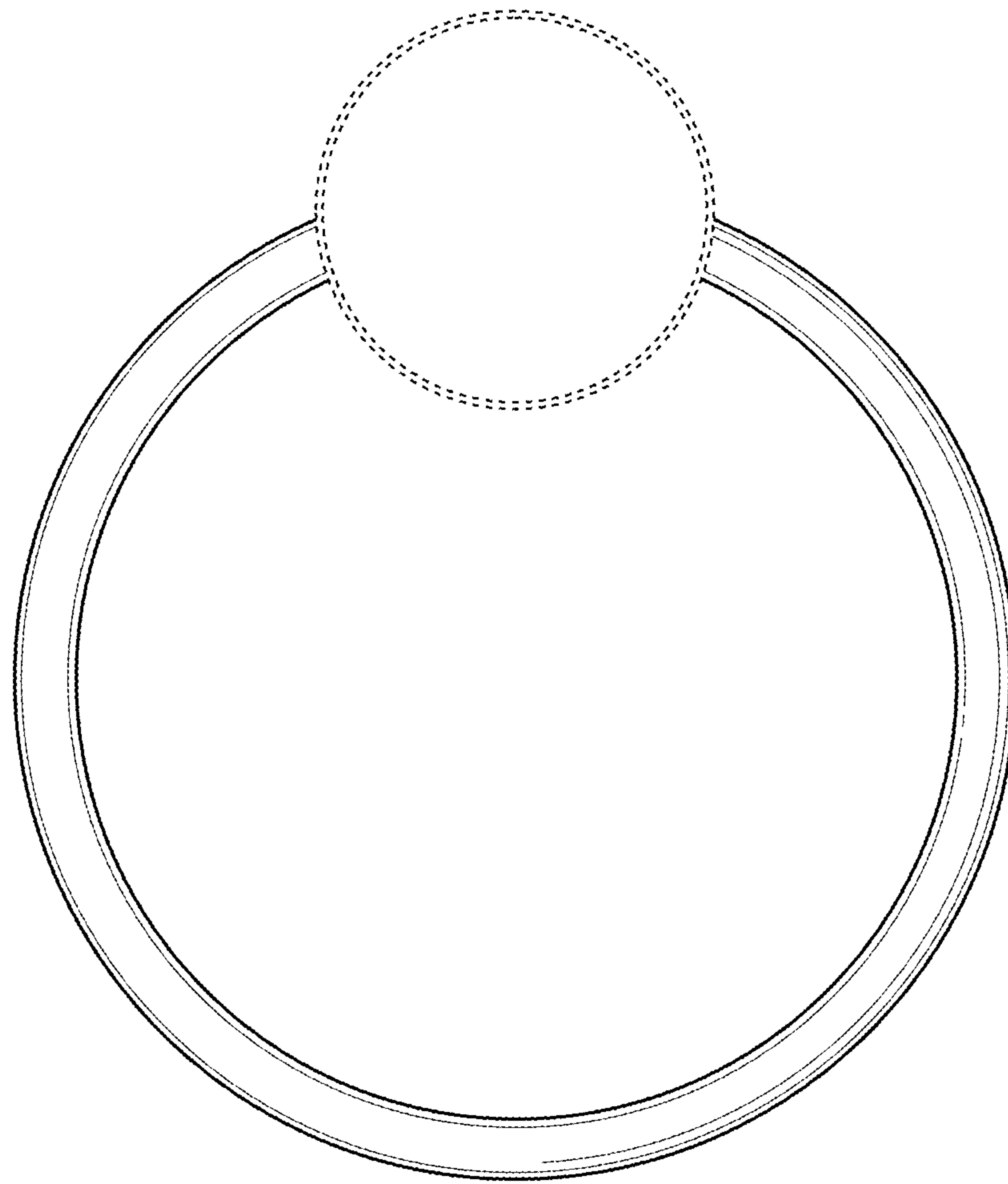


FIG. 5

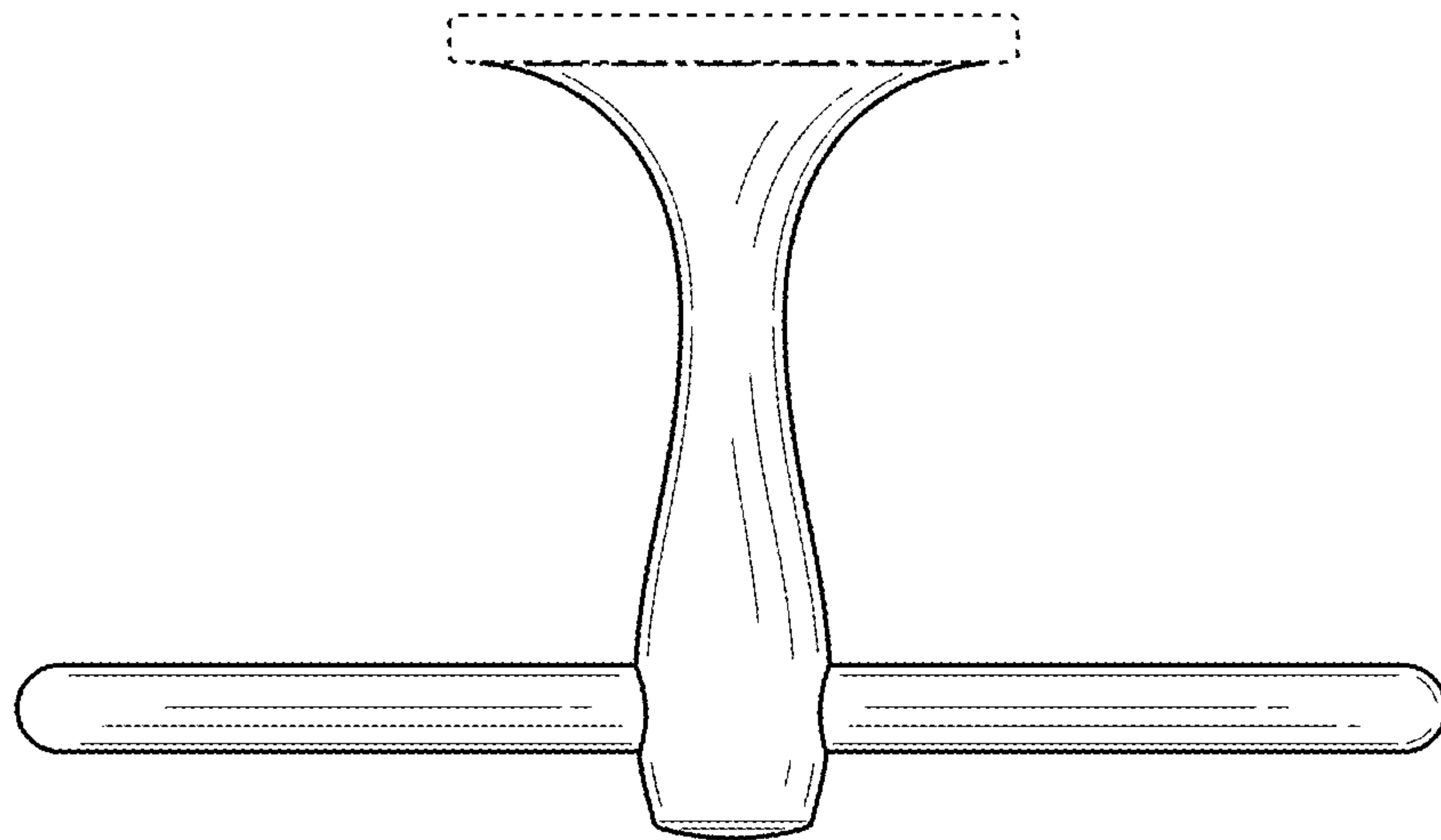


FIG. 6

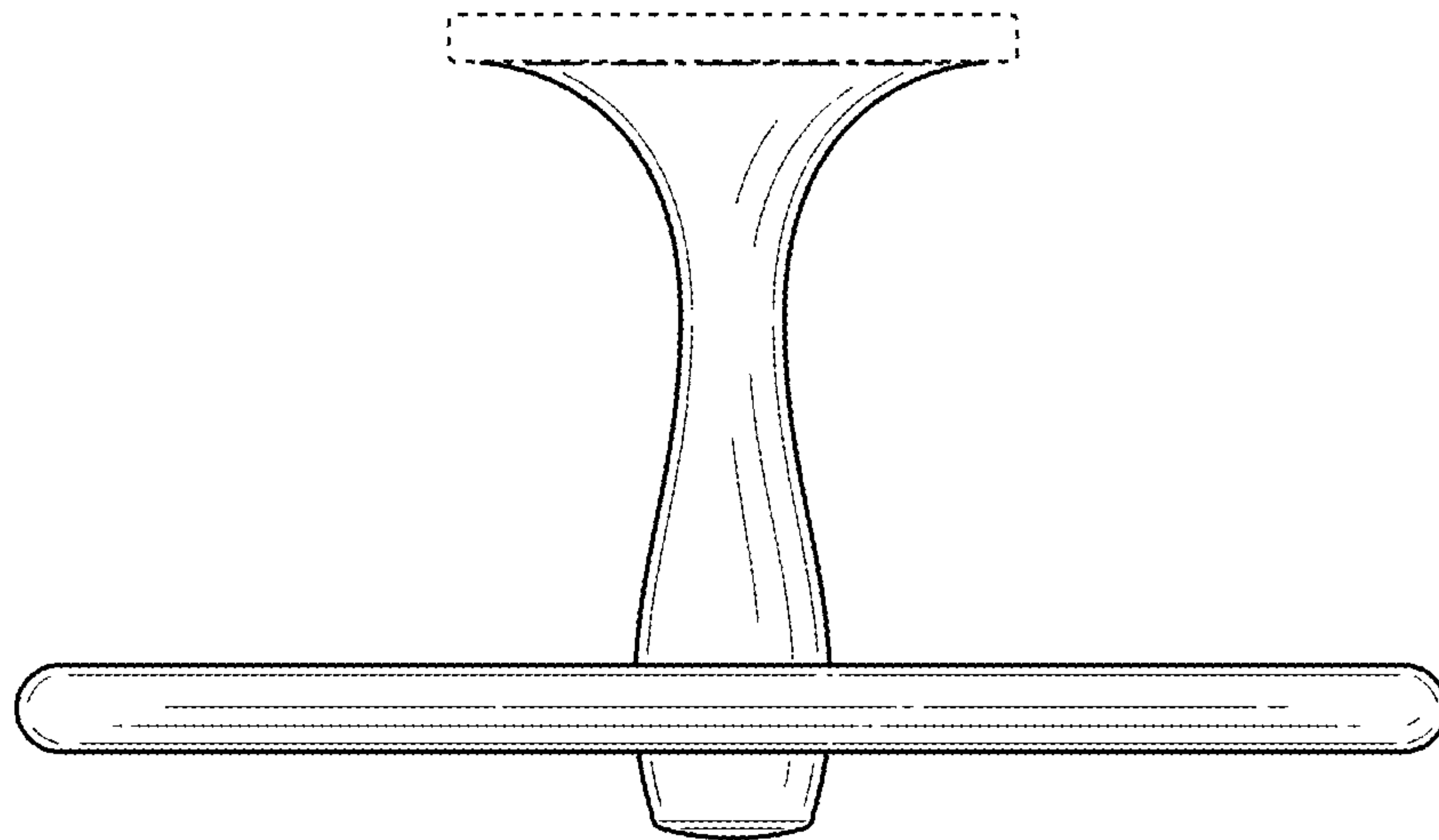


FIG. 7