



US00D771406S

(12) **United States Design Patent**
Clough et al.

(10) **Patent No.:** **US D771,406 S**

(45) **Date of Patent:** **** Nov. 15, 2016**

(54) **DISPENSING DEVICE**

D622,991 S * 9/2010 MacDonald D6/542
D632,111 S * 2/2011 MacDonald D6/542
D659,453 S * 5/2012 Fernandes D6/542

(71) Applicant: **Reckitt Benckiser (Brands) Limited,**
Berkshire (GB)

(Continued)

(72) Inventors: **Richard Brian Clough,** Warwick (GB);
Jacobus Simon Petrus Van Diepen,
Guangdong (CN)

Primary Examiner — John Windmuller

Assistant Examiner — Steven Czyz

(74) *Attorney, Agent, or Firm* — Troutman Sanders LLP;
Ryan A. Schneider; Chris N. Davis

(73) Assignee: **RECKITT BENCKISER (BRANDS)**
LIMITED, Berkshire (GB)

(57) **CLAIM**

The ornamental design for a dispensing device, as shown
and described.

(**) Term: **14 Years**

(21) Appl. No.: **29/514,293**

(22) Filed: **Jan. 9, 2015**

DESCRIPTION

(30) **Foreign Application Priority Data**

Aug. 7, 2014 (EM) 002516112-0001

Aug. 7, 2014 (EM) 002516112-0002

(51) **LOC (10) Cl.** **23-02**

(52) **U.S. Cl.**
USPC **D6/542**

(58) **Field of Classification Search**
USPC D6/512, 524, 542, 543, 544, 545;
D9/682, 688, 448
CPC A47G 19/24; A47G 21/12; B65D 83/267;
B65D 23/003; B67D 3/0029; A47F 1/085;
A47K 5/02; A47K 5/1202
See application file for complete search history.

FIG. 1 is an isometric view of a dispensing device of the
present invention;

FIG. 2 is a front view of the dispensing device of FIG. 1;
FIG. 3 is a back view of the dispensing device of FIG. 1;
FIG. 4 is a side view of the dispensing device of FIG. 1;
FIG. 5 is the other side view of the dispensing device of FIG.
1;

FIG. 6 is a top view of the dispensing device of FIG. 1;
FIG. 7 is a bottom view of the dispensing device of FIG. 1;
FIG. 8 is the isometric view of the dispensing device of FIG.
1 together with an exemplary refill cartridge;

FIG. 9 is a front view of the dispensing device of FIG. 8;
FIG. 10 is a back view of the dispensing device of FIG. 8;
FIG. 11 is a side view of the dispensing device of FIG. 8;
FIG. 12 is the other side view of the dispensing device of
FIG. 8;

FIG. 13 is a top view of the dispensing device of FIG. 8; and,
FIG. 14 is a bottom view of the dispensing device of FIG.
8.

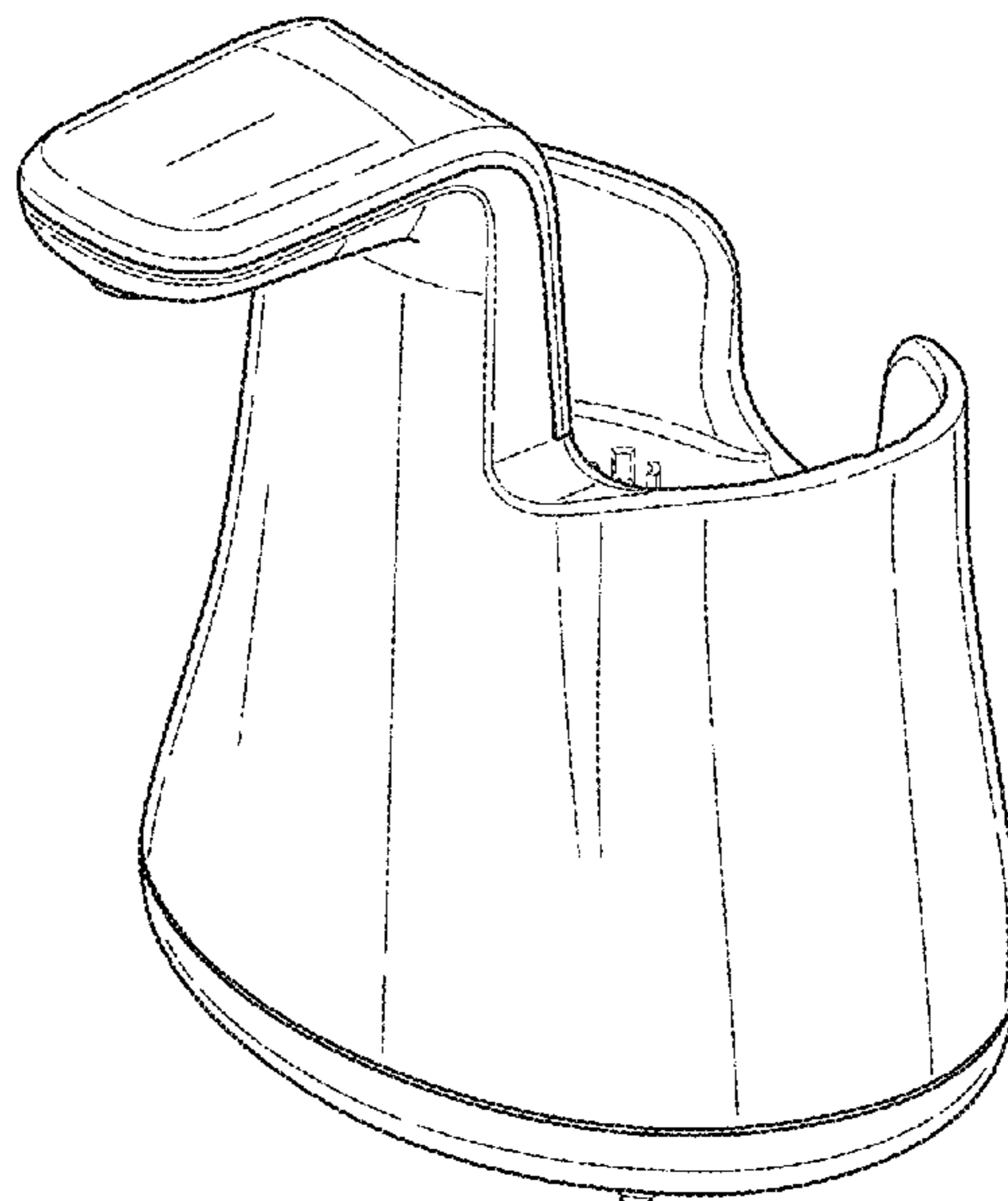
The broken lines depict portions of the article that form no
part of the claimed design.

(56) **References Cited**

U.S. PATENT DOCUMENTS

D477,956 S * 8/2003 Grisdale D6/545
D499,295 S * 12/2004 Grisdale D6/545
D582,187 S * 12/2008 Yang D6/542

1 Claim, 14 Drawing Sheets



(56)

References Cited

U.S. PATENT DOCUMENTS

D660,061 S *	5/2012	Fernandes	D6/542	D690,530 S *	10/2013	Clough	D6/542
D661,932 S *	6/2012	DelGigante	D6/542	D696,043 S *	12/2013	Chopdat	D6/542
D662,740 S *	7/2012	DelGigante	D6/542	D699,475 S *	2/2014	Yang	D6/542
D662,741 S *	7/2012	DelGigante	D6/542	D700,451 S *	3/2014	Clough	D6/542
D662,742 S *	7/2012	DelGigante	D6/542	D706,549 S *	6/2014	Cho	D6/524
D663,143 S *	7/2012	DelGigante	D6/542	D717,066 S *	11/2014	Deacon	D6/524
D667,665 S *	9/2012	DelGigante	D6/542	D732,308 S *	6/2015	Enga	D6/542
D676,267 S *	2/2013	Clough	D6/542	2013/0134183 A1 *	5/2013	Van Diepen	A47K 5/1217 222/52
D676,697 S *	2/2013	Chopdat	D6/542	2013/0200098 A1 *	8/2013	Li	A47K 5/16 222/52
D688,488 S *	8/2013	Wang	D6/524	2013/0206789 A1 *	8/2013	Van Diepen	A47K 5/1217 222/52
D689,299 S *	9/2013	Kassem Llano	D6/524	2014/0076924 A1 *	3/2014	Liang	A47K 5/16 222/52
D690,129 S *	9/2013	Clough	D6/542	2014/0197192 A1 *	7/2014	Atkins	A47K 5/1217 222/23
D690,130 S *	9/2013	Clough	D6/542					
D690,131 S *	9/2013	Clough	D6/542					

* cited by examiner

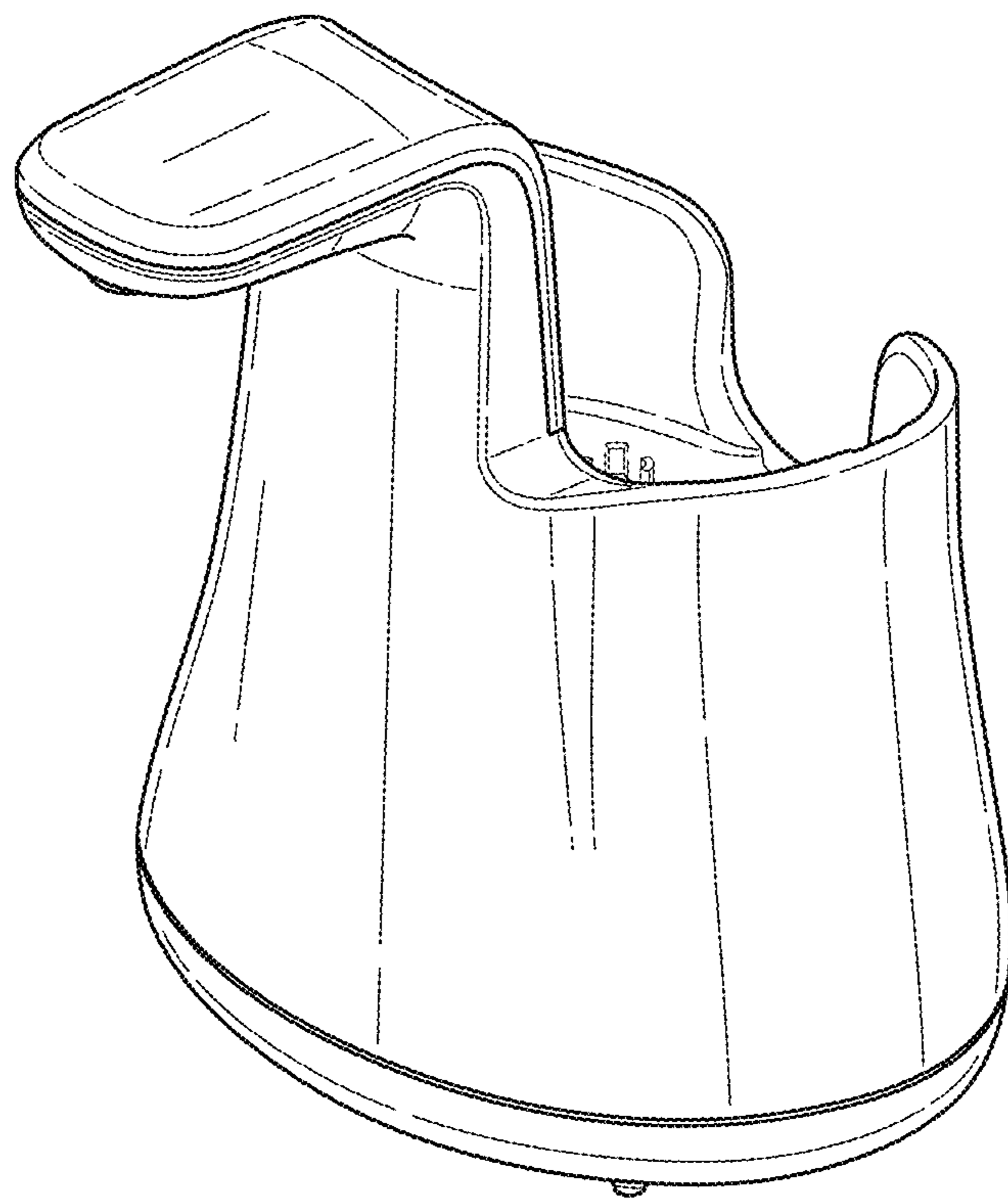


FIG. 1

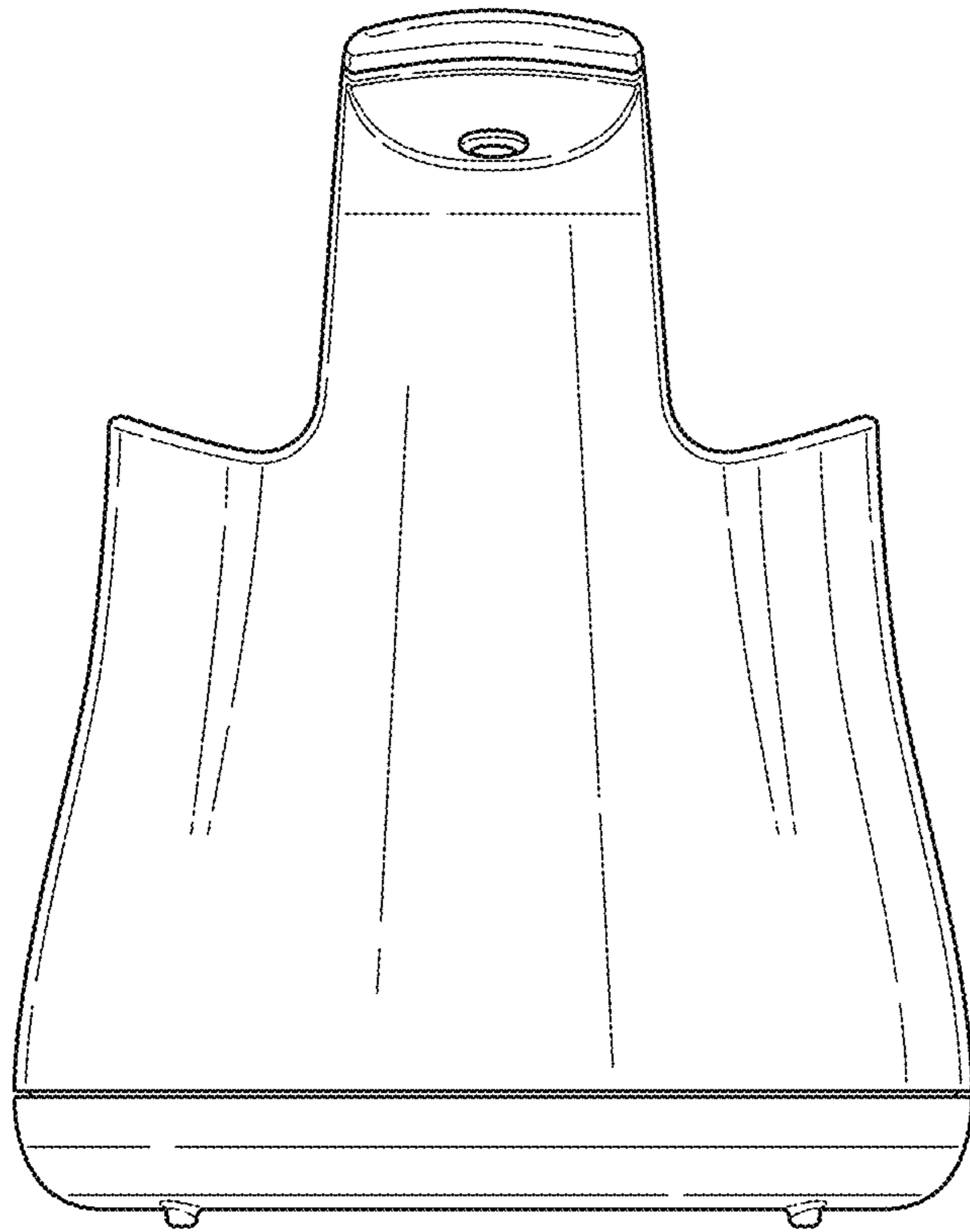


FIG. 2

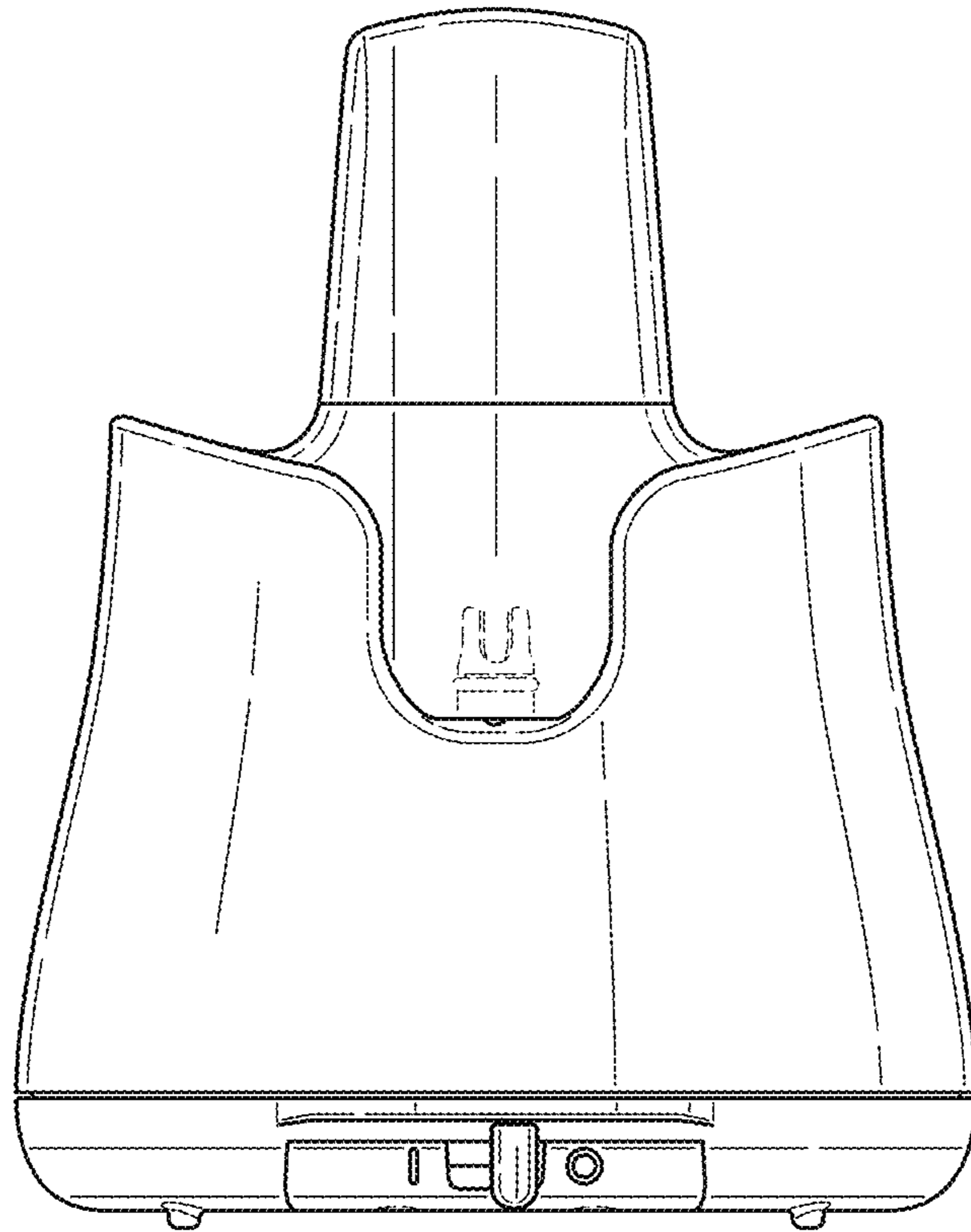


FIG. 3

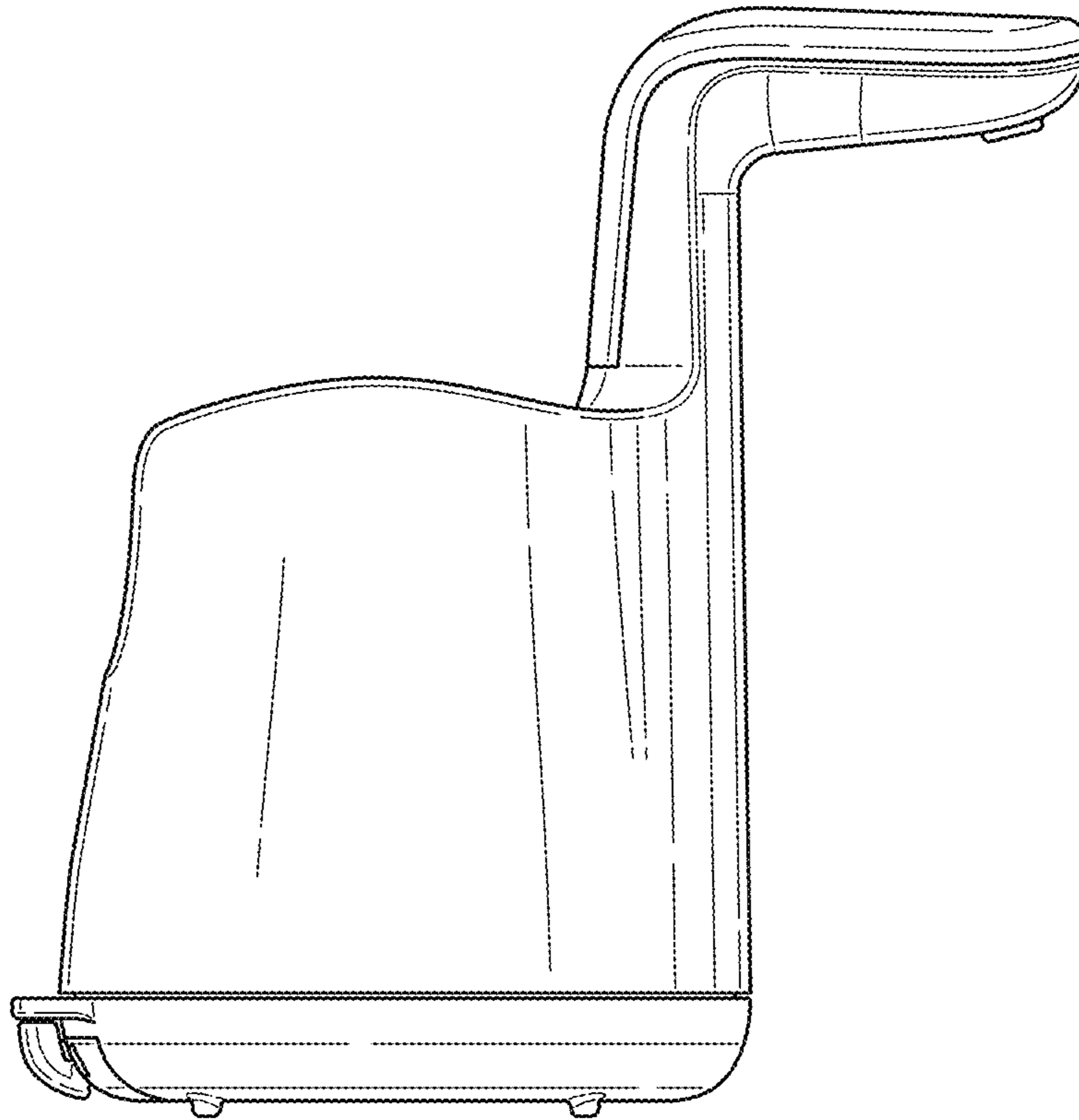


FIG. 4

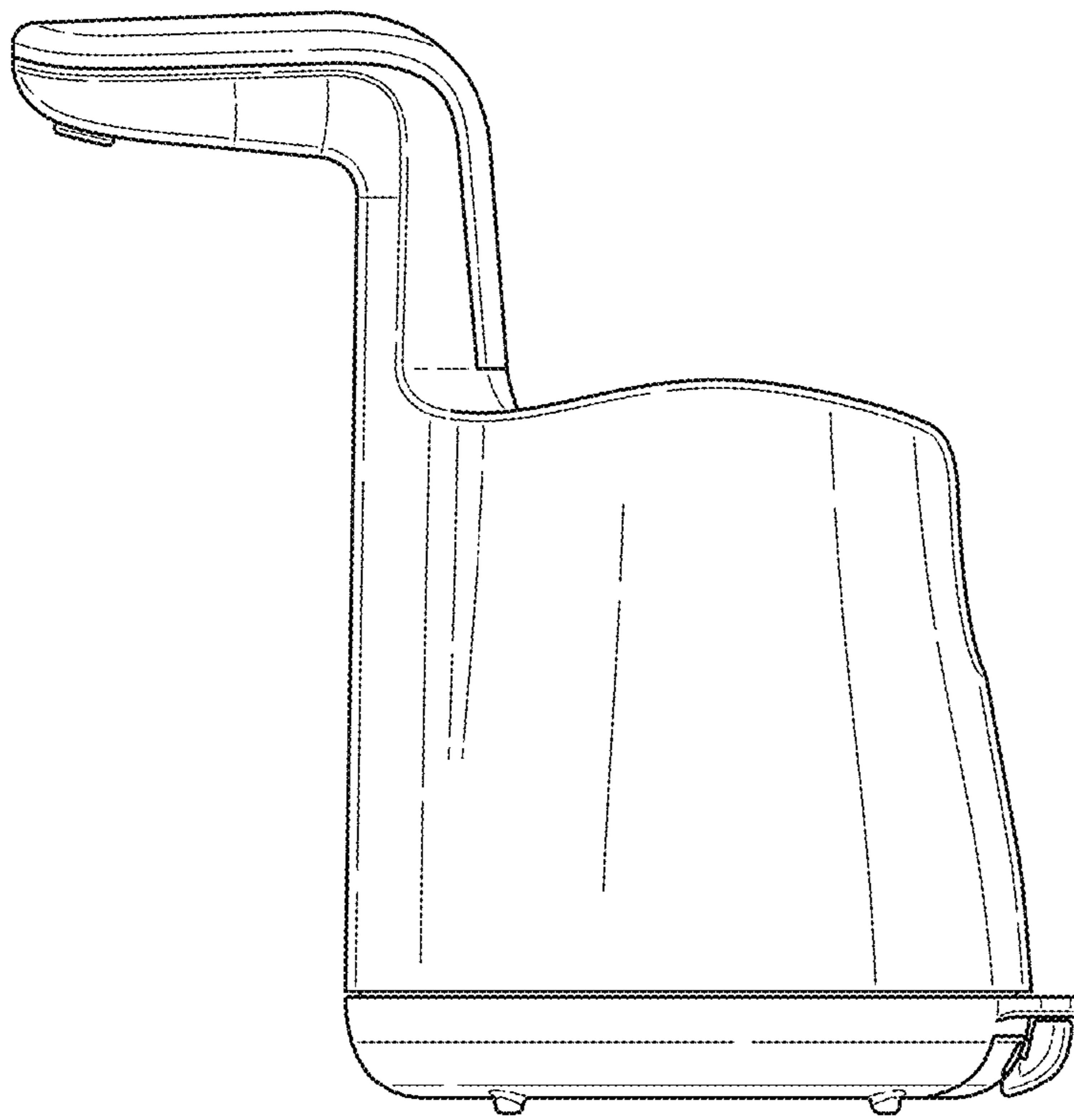


FIG. 5

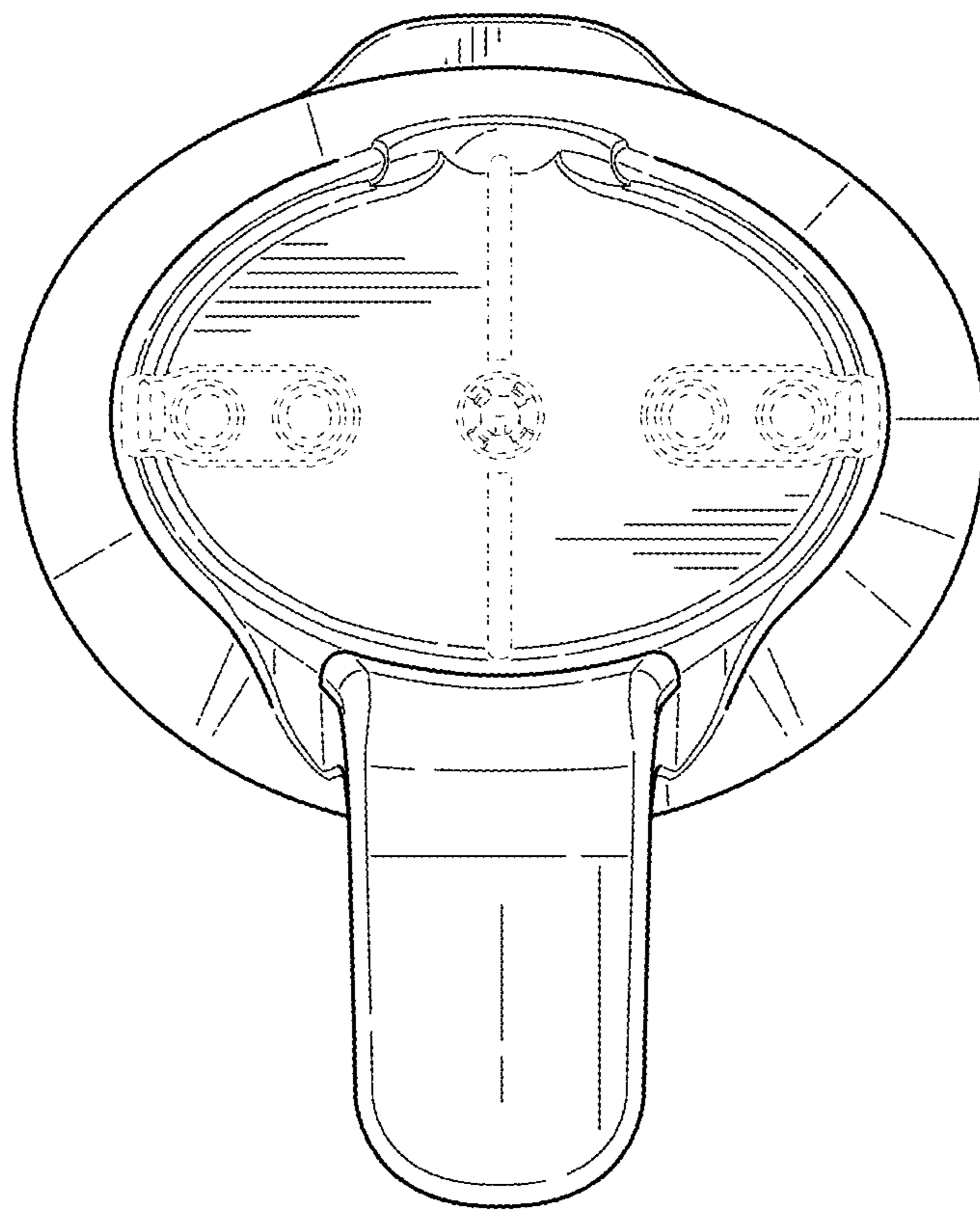


Fig. 6

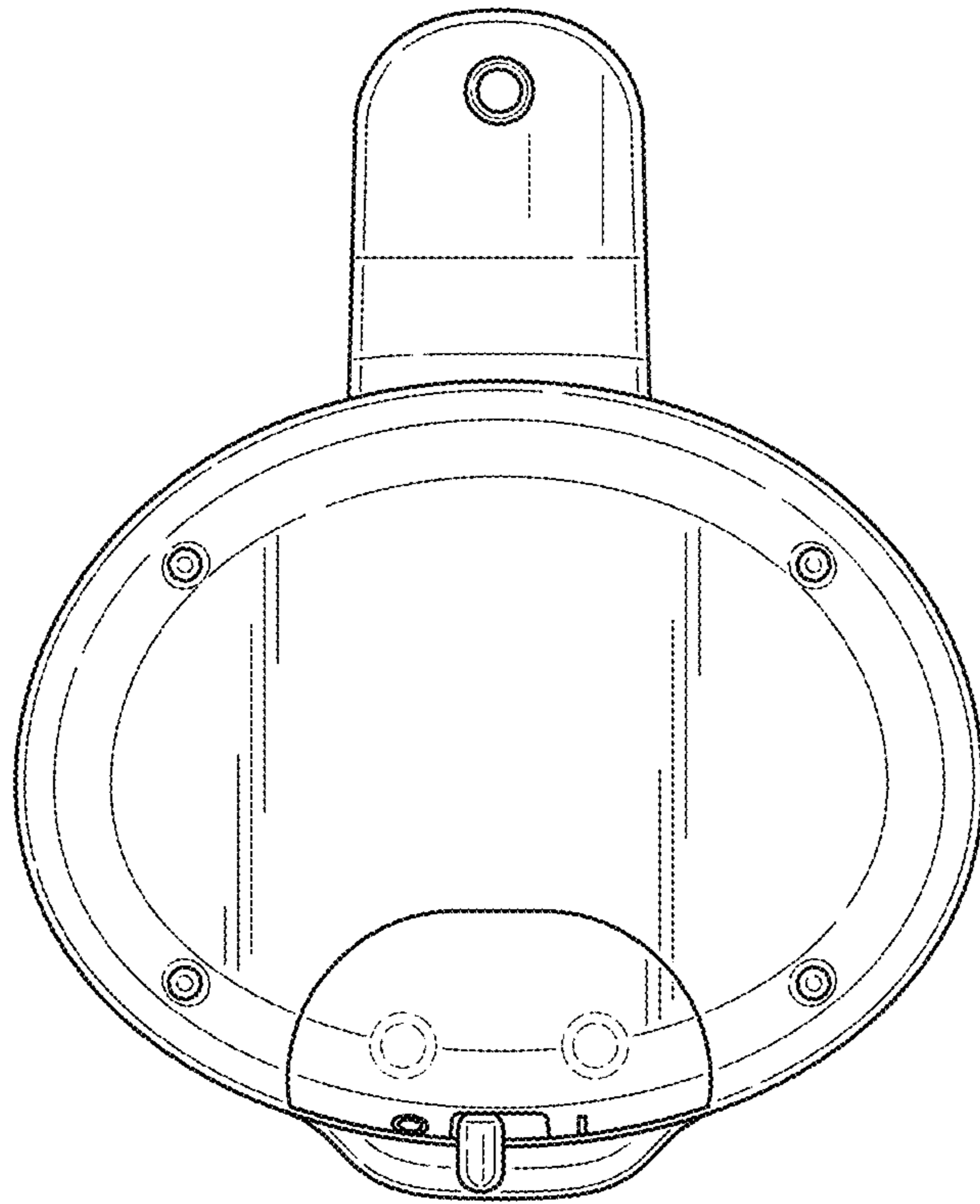


FIG. 7

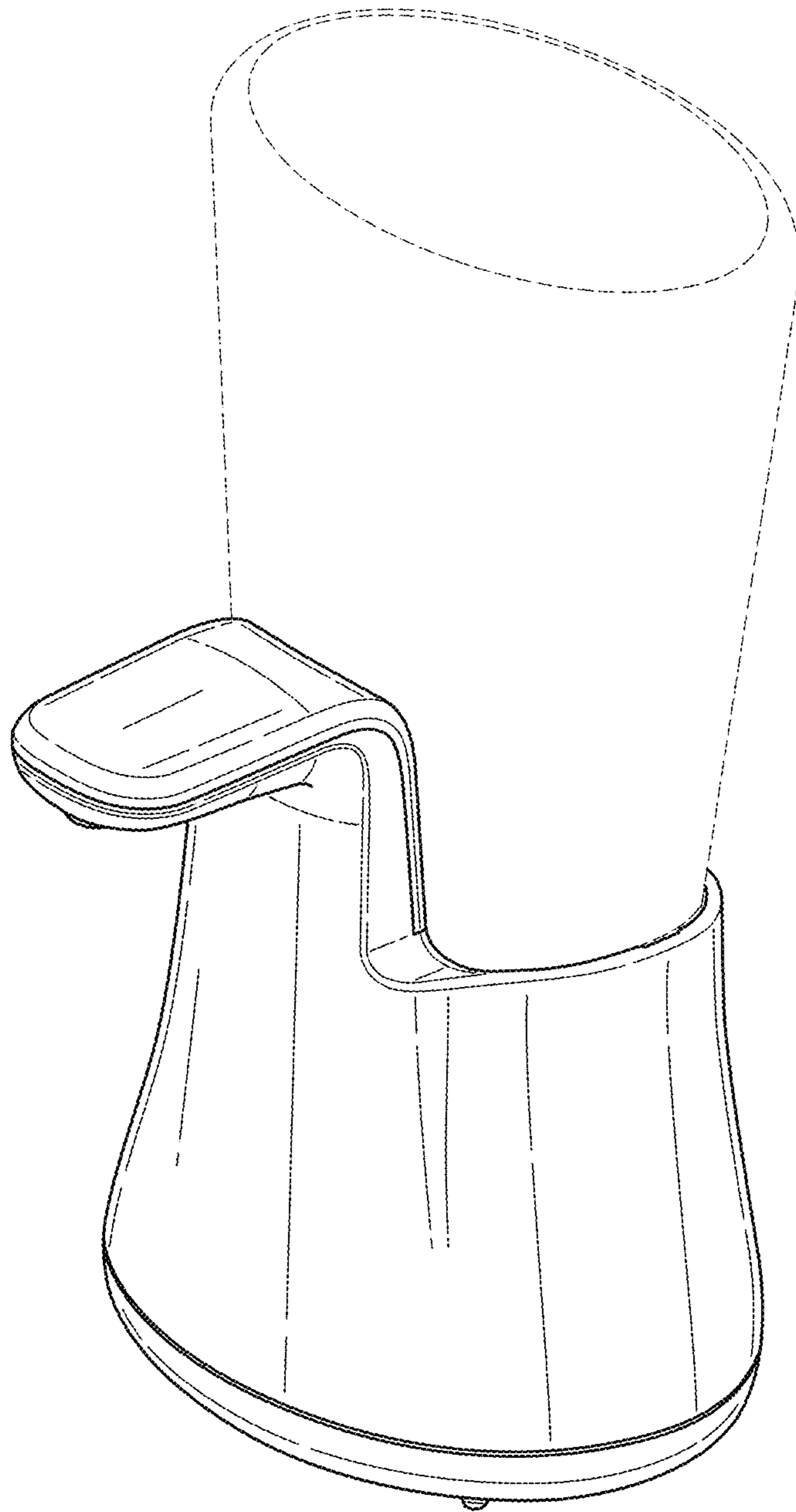


FIG. 8

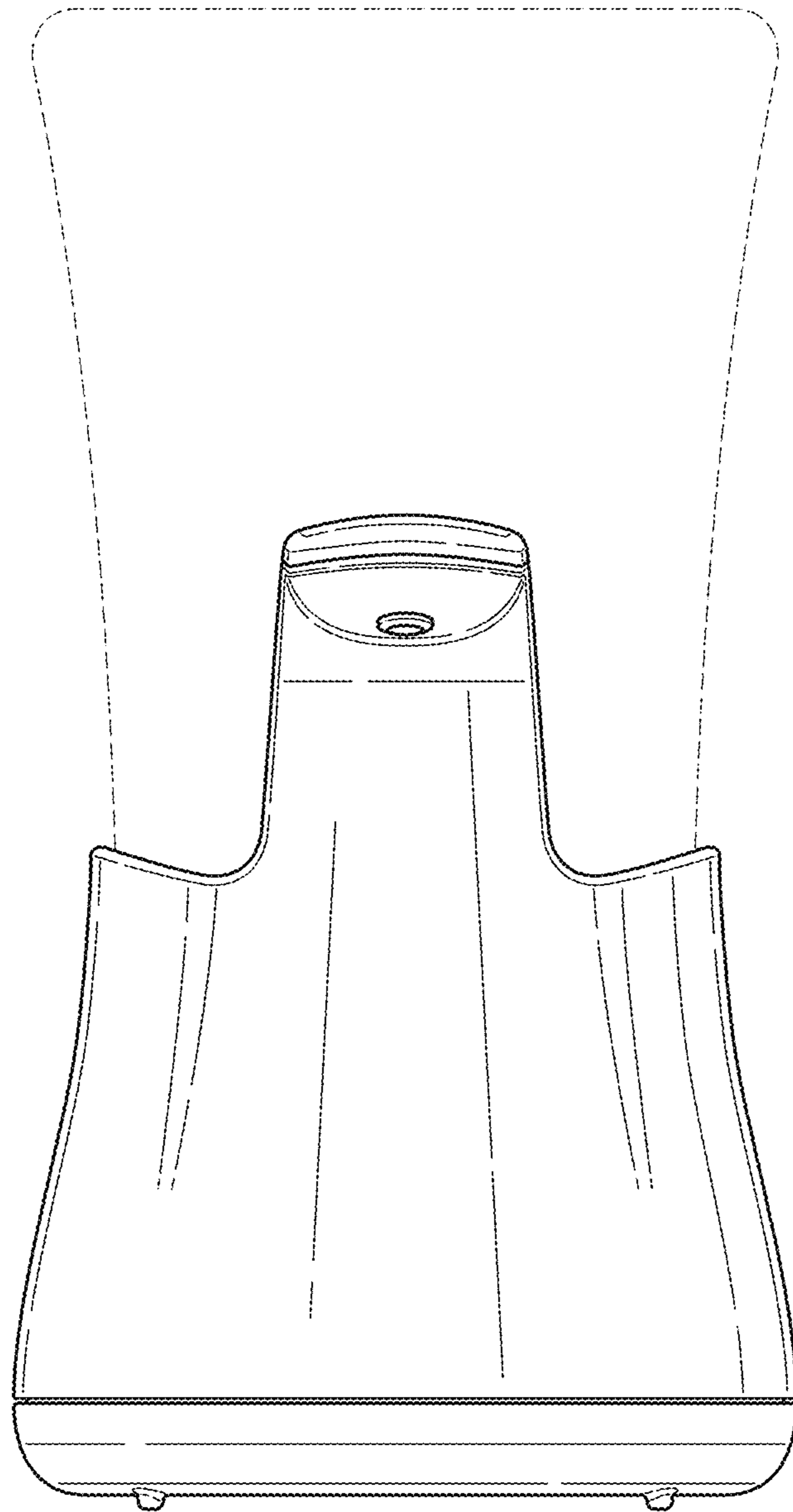


FIG. 9

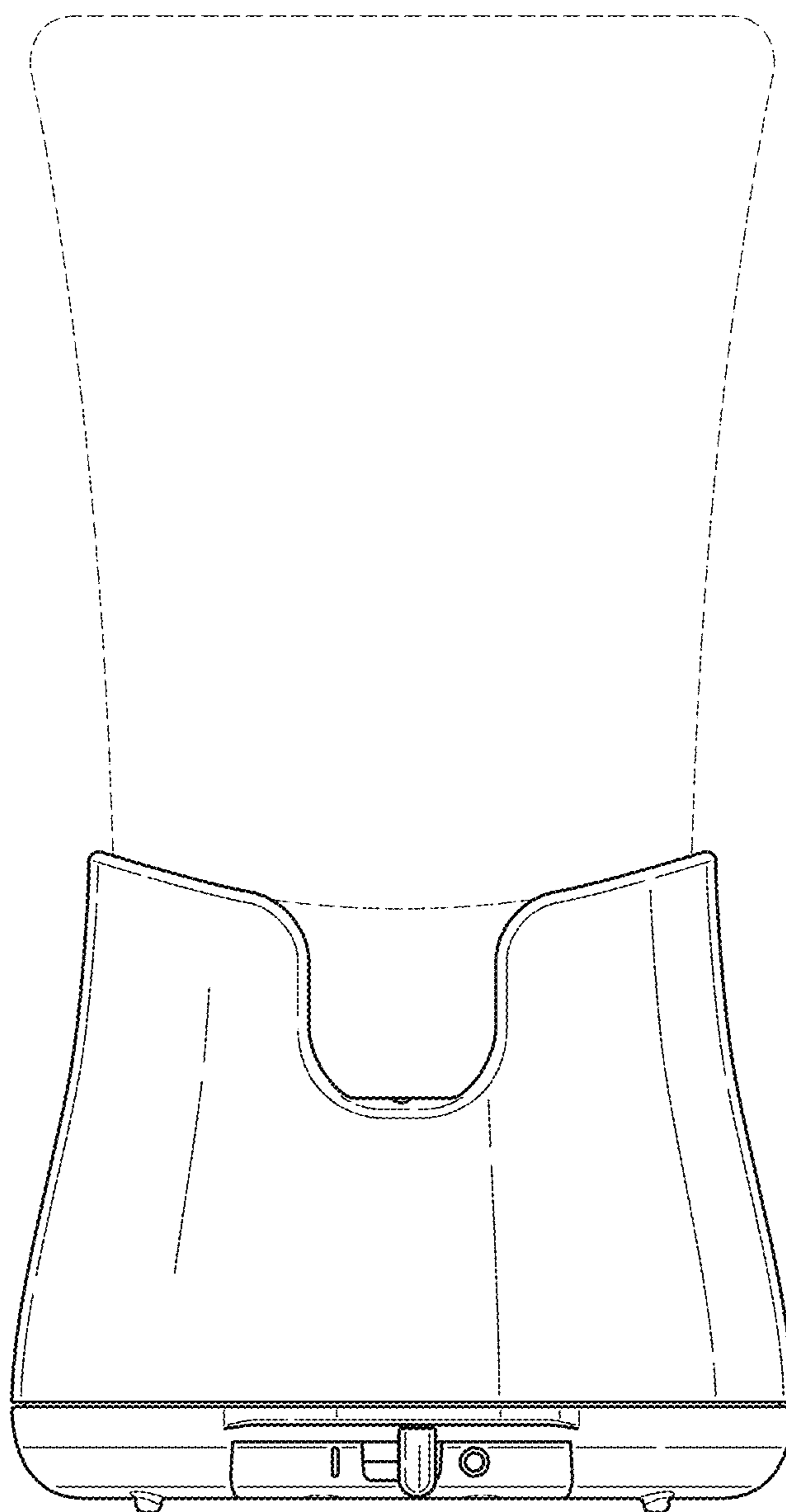


FIG. 10

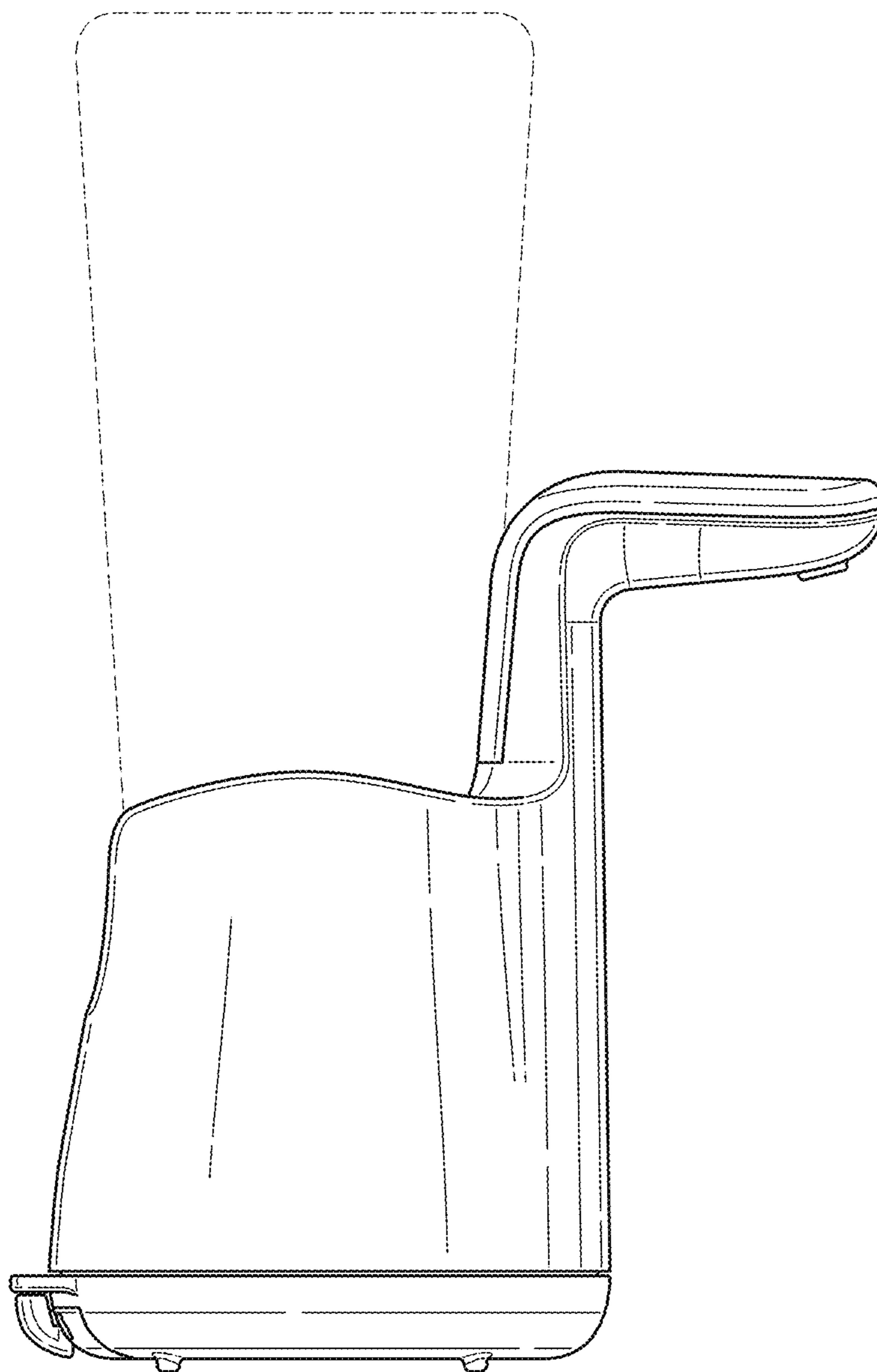


FIG. 11

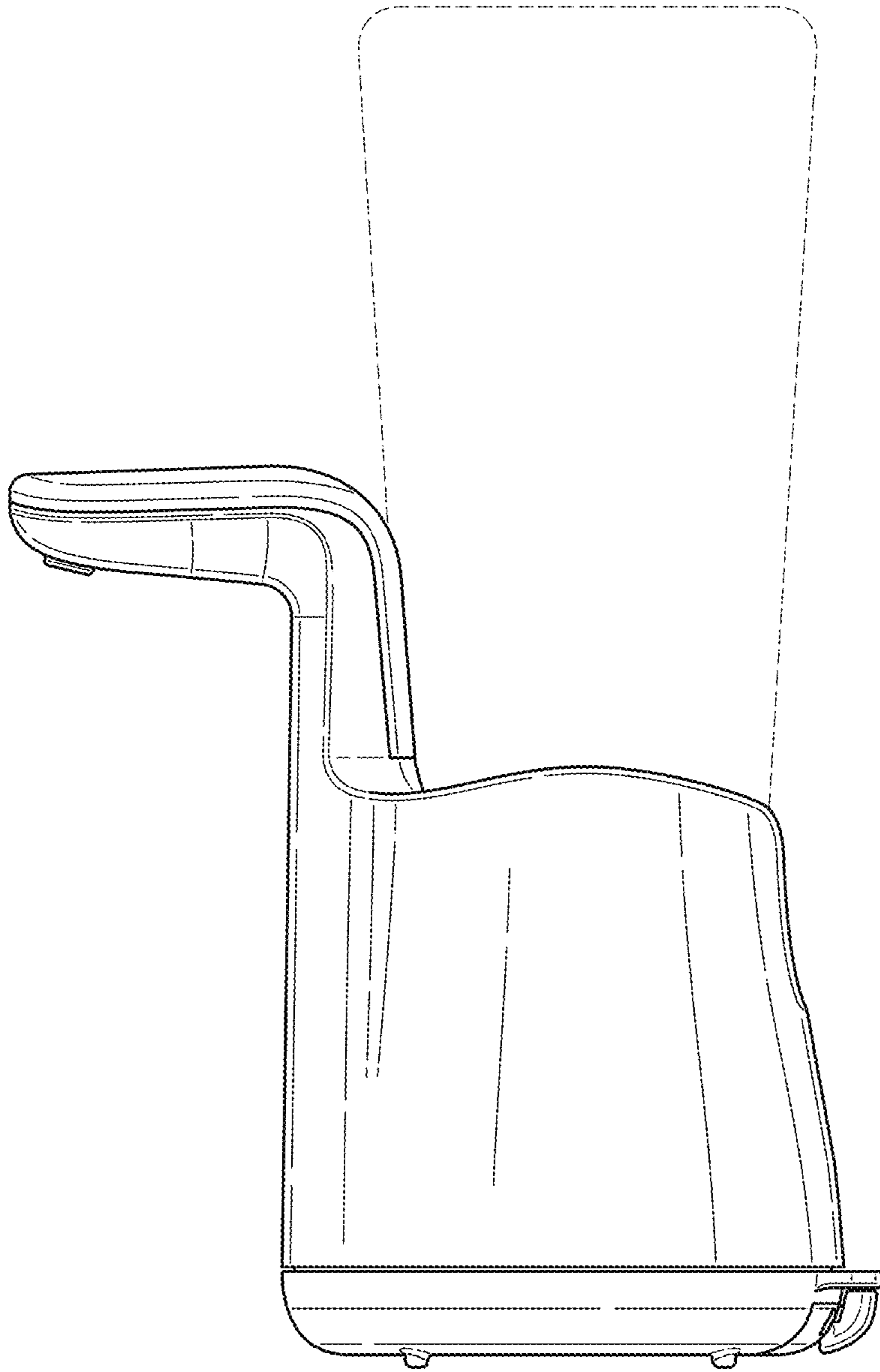


FIG. 12

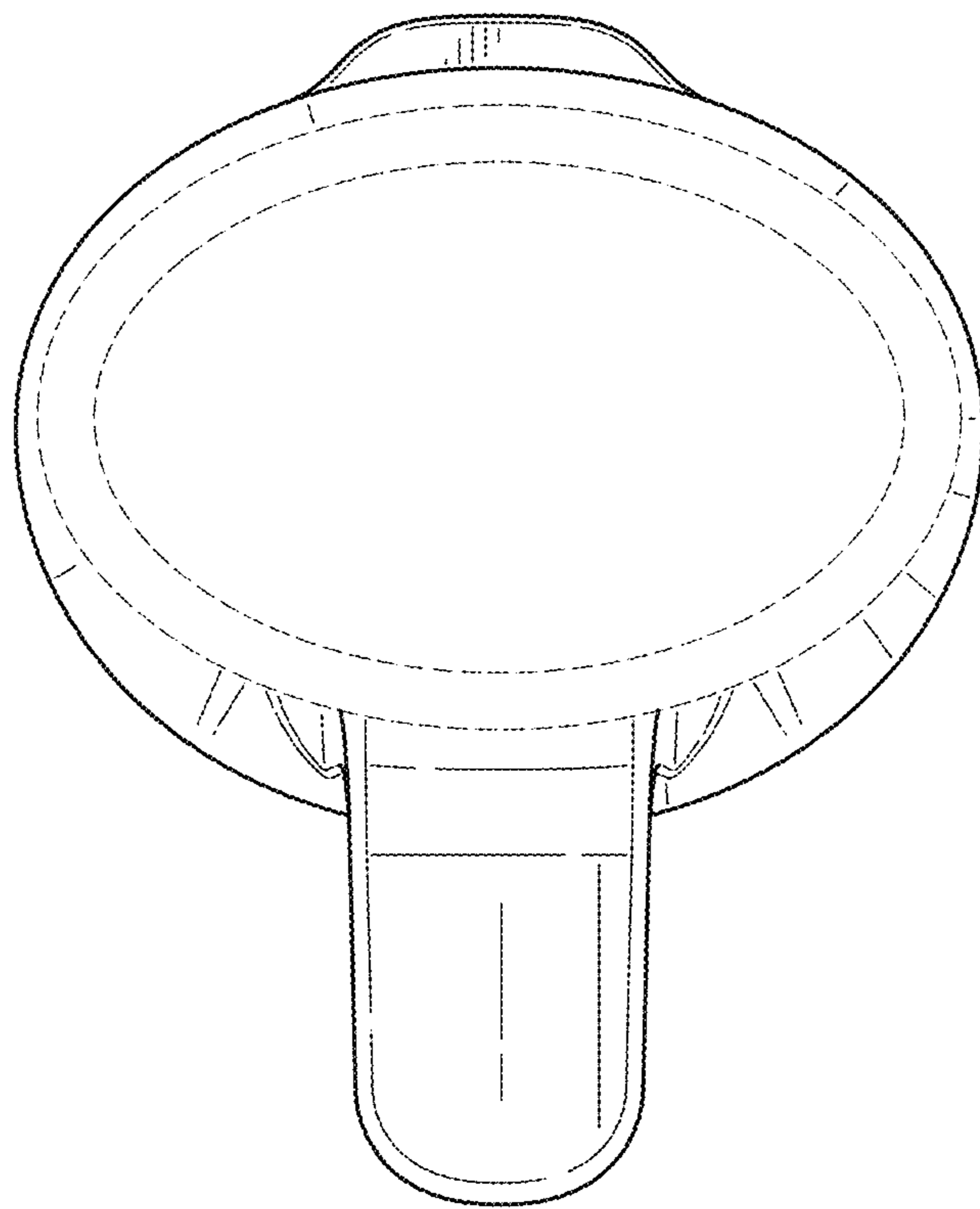


FIG. 13

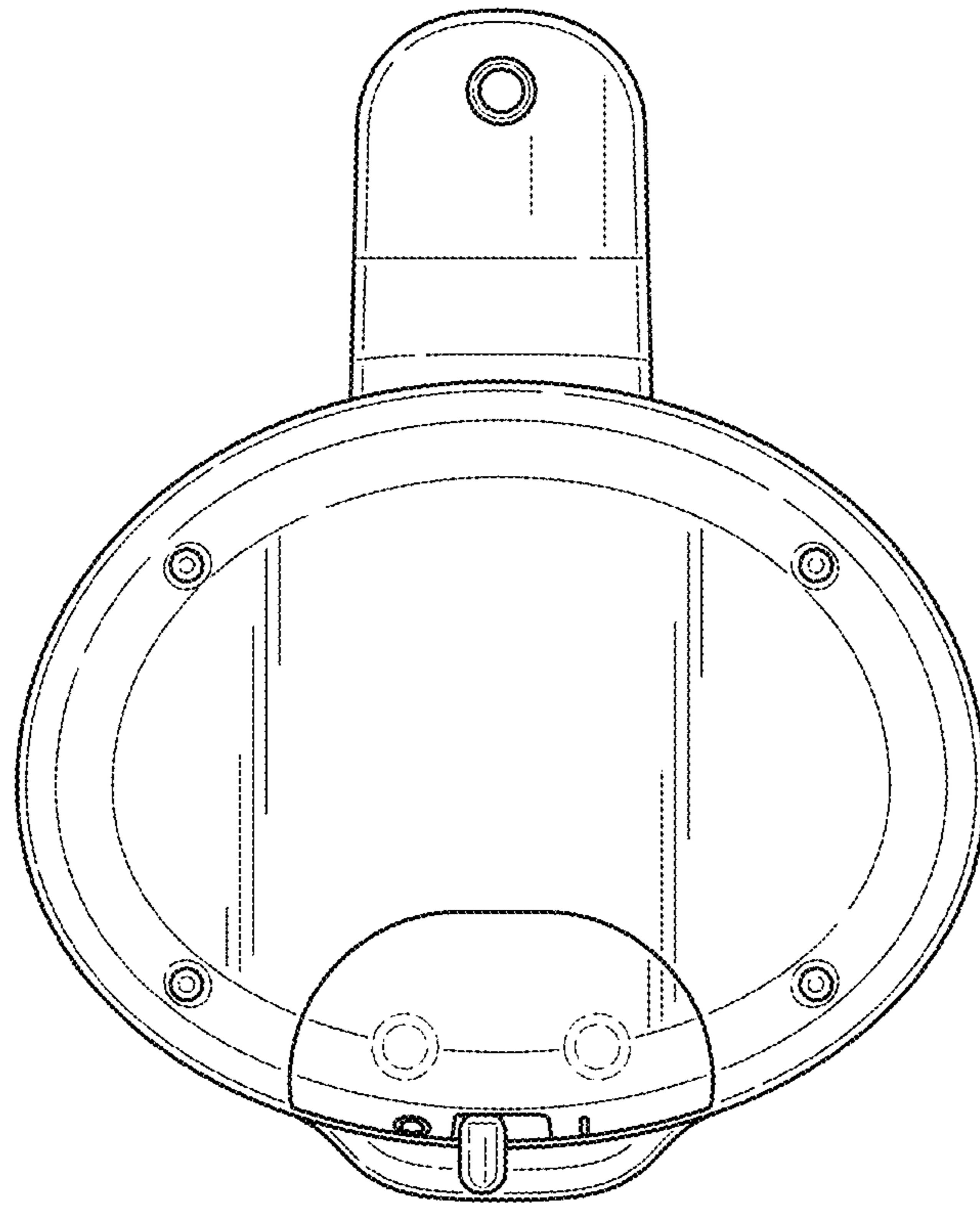


FIG. 14