



US00D771402S

(12) **United States Design Patent** (10) **Patent No.:** **US D771,402 S**  
**Woller** (45) **Date of Patent:** **\*\* Nov. 15, 2016**

(54) **SOFA WITH TABLE** 3,700,282 A \* 10/1972 Rowland ..... A47C 4/02  
297/228.1  
(71) Applicant: **himolla Polstermöbel GmbH,** 3,817,573 A \* 6/1974 Facury ..... A47C 3/04  
Taufkirchen/Vils (DE) 108/62  
5,630,644 A \* 5/1997 LaPointe ..... A47C 13/005  
297/113

(72) Inventor: **Franz Woller,** Taufkirchen/Vils (DE)

(Continued)

(73) Assignee: **himolla Polstermöbel GmbH,**  
Taufkirchen/Vils (DE)

*Primary Examiner* — Sandra Snapp

(74) *Attorney, Agent, or Firm* — Knobbe, Martens, Olson & Bear LLP

(\*\*) Term: **15 Years**

(57) **CLAIM**

(21) Appl. No.: **29/532,137**

The ornamental design for the sofa with table, as shown and described.

(22) Filed: **Jul. 1, 2015**

**DESCRIPTION**

(30) **Foreign Application Priority Data**

Jan. 15, 2015 (DE) ..... 40 2015 000 063

(51) **LOC (10) Cl.** ..... **06-01**

(52) **U.S. Cl.**  
USPC ..... **D6/381**

(58) **Field of Classification Search**  
USPC ..... D6/334, 335, 336, 338, 349, 355, 381,  
D6/716, 716.1; 297/118, 119, 135, 144,  
297/232, 445.1, 448.1, 452.18, 156, 175,  
297/216.1; 5/12.1, 12.2  
CPC ..... A47C 1/02; A47C 1/12; A47C 11/00;  
A47C 17/00; A47C 17/02; A47C 4/52;  
A47C 9/00

See application file for complete search history.

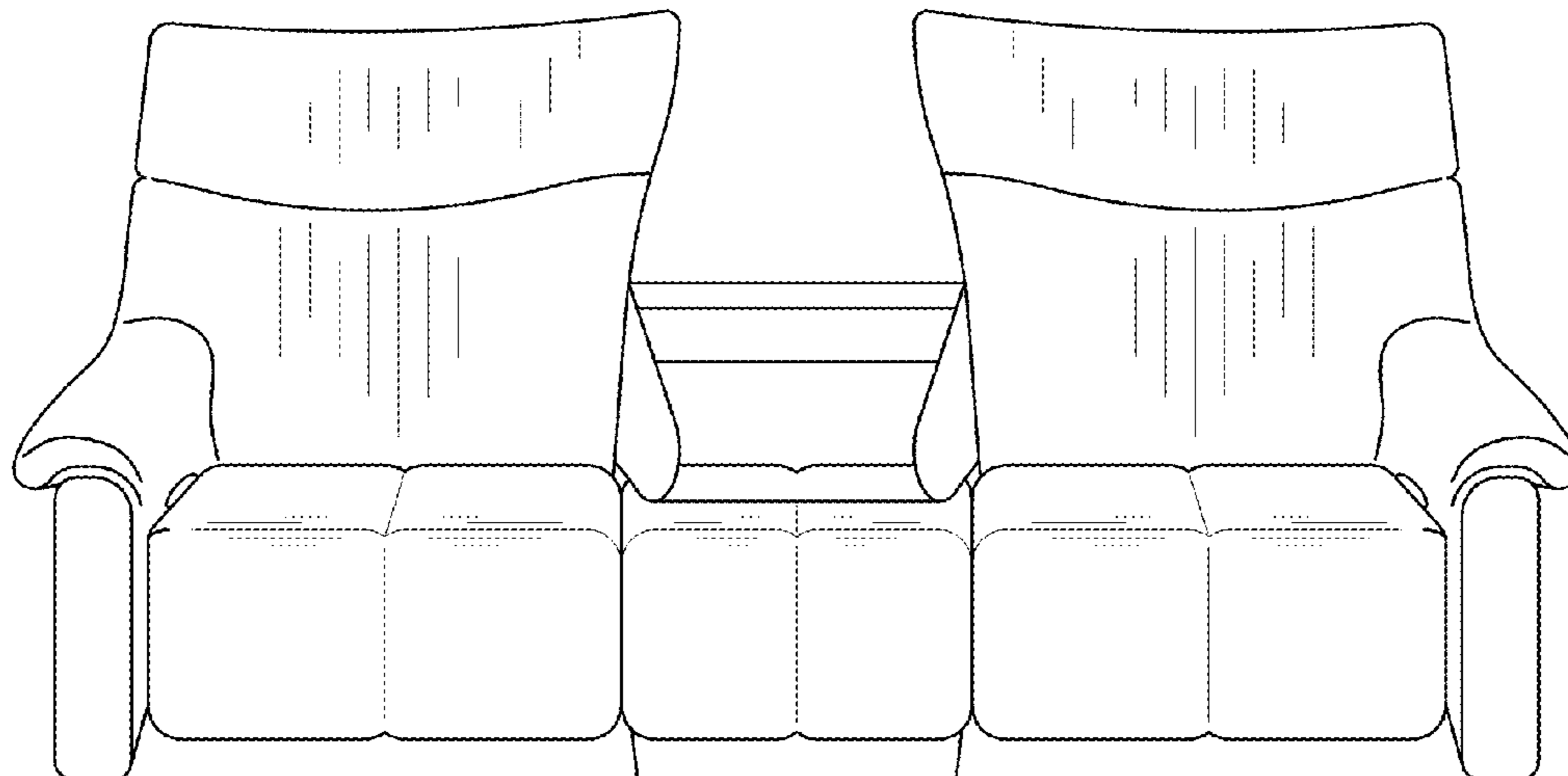
(56) **References Cited**

**U.S. PATENT DOCUMENTS**

D155,624 S \* 10/1949 Pahlmann ..... 297/135  
D190,904 S \* 7/1961 Kasparian ..... D6/336  
D210,660 S \* 4/1968 Guidice ..... D6/336

FIG. 1 is a front view of an embodiment of a sofa with a table in a raised position and embodying the new design; FIG. 2 is a rear view of the design of FIG. 1; FIG. 3 is a top view of the design of FIG. 1; FIG. 4 is a bottom view of the design of FIG. 1; FIG. 5 is a right side view of the design of FIG. 1; FIG. 6 is a left side view of the design of FIG. 1; FIG. 7 is a front view of the design of FIG. 1 of a sofa with the table in a lowered position; FIG. 8 is a rear view of the design of FIG. 7; FIG. 9 is a top view of the design of FIG. 7; FIG. 10 is a bottom view of the design of FIG. 7; FIG. 11 is a right side view along the line 11-11 of the design of FIG. 3; FIG. 12 is a right side view along the line 12-12 of the design of FIG. 9; FIG. 13 is a right side view of the design of FIG. 7; and, FIG. 14 is a left side view of the design of FIG. 7. The broken lines shown in the drawings depict portions of the sofa with table that form no part of the claimed design.

**1 Claim, 14 Drawing Sheets**



# US D771,402 S

Page 2

(56)

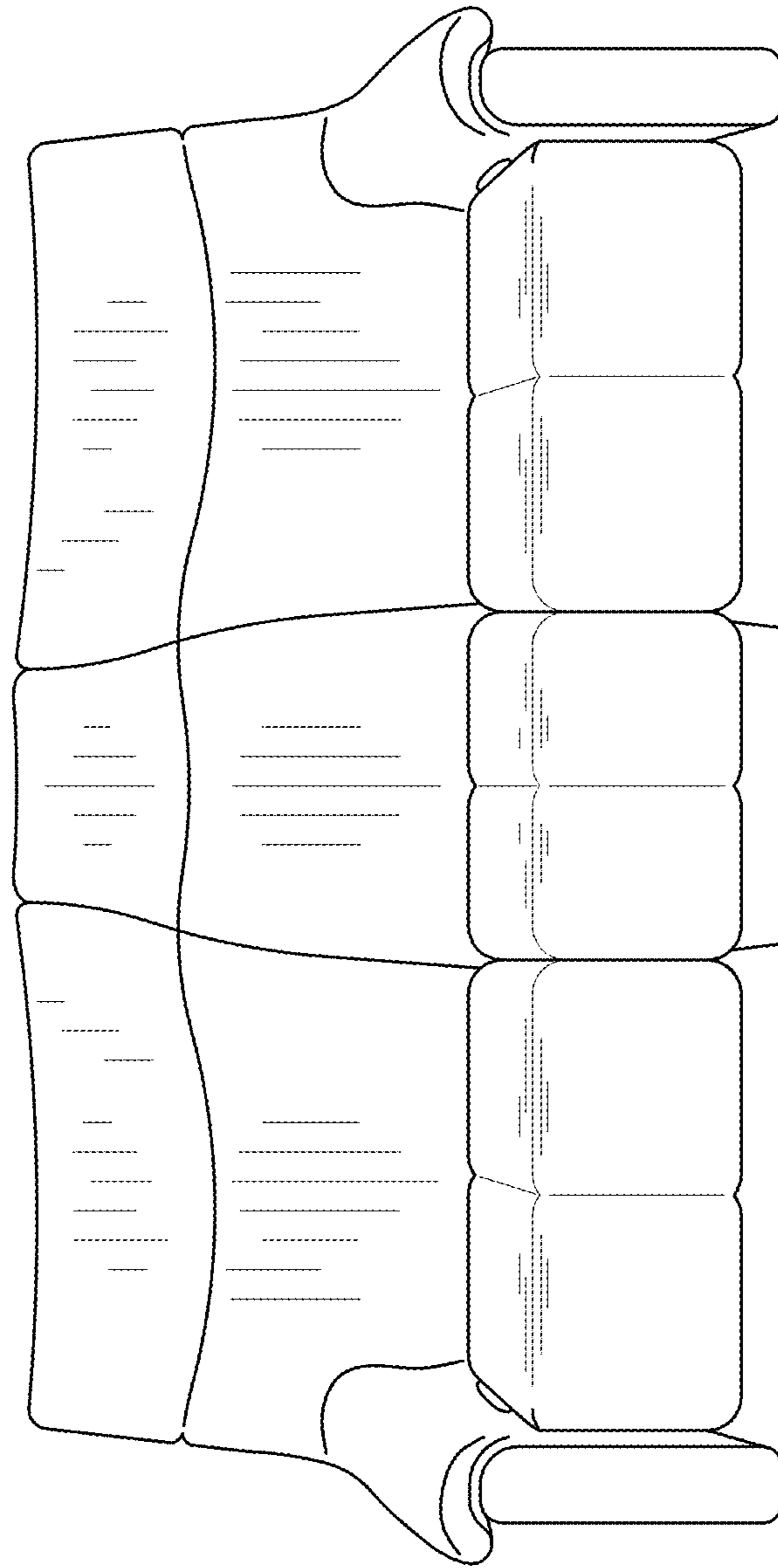
## References Cited

### U.S. PATENT DOCUMENTS

D401,078 S \* 11/1998 Relling ..... D6/381  
D542,557 S \* 5/2007 Lade ..... D6/381  
D547,563 S \* 7/2007 Lade ..... D6/381  
D630,450 S \* 1/2011 Wold ..... D6/381  
D633,312 S \* 3/2011 Wold ..... D6/381  
D633,726 S \* 3/2011 Wold ..... D6/381  
D633,727 S \* 3/2011 Wold ..... D6/381

D679,512 S \* 4/2013 Lade ..... D6/334  
D679,919 S \* 4/2013 Lade ..... D6/381  
D680,348 S \* 4/2013 Lade ..... D6/381  
D680,772 S \* 4/2013 Lade ..... D6/381  
D681,353 S \* 5/2013 Lade ..... D6/334  
D681,364 S \* 5/2013 Lade ..... D6/381  
D681,365 S \* 5/2013 Lade ..... D6/381  
8,721,000 B2 \* 5/2014 Nguyen ..... A47C 7/402  
297/158.1

\* cited by examiner



*FIG. 1*

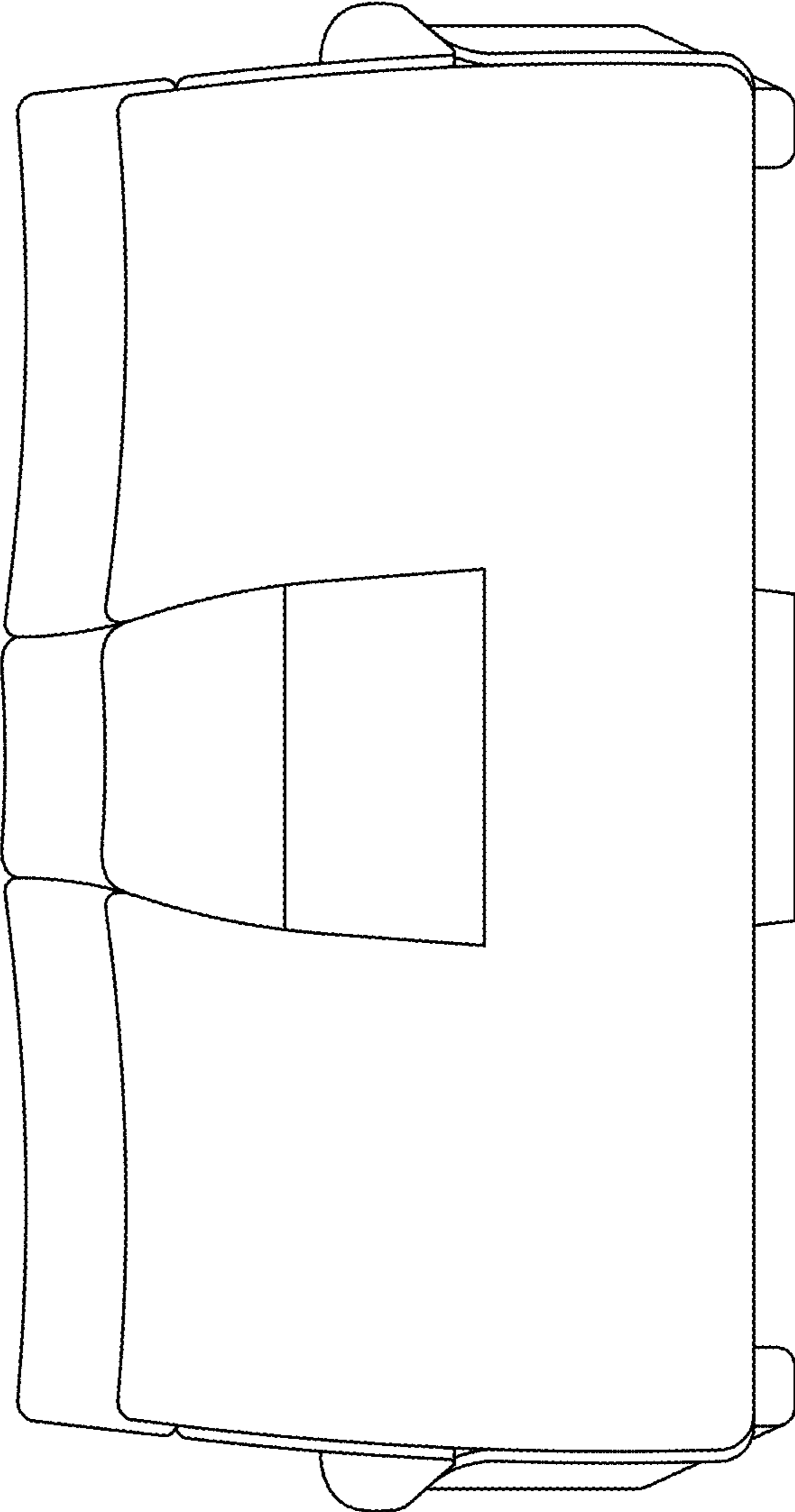


FIG. 2

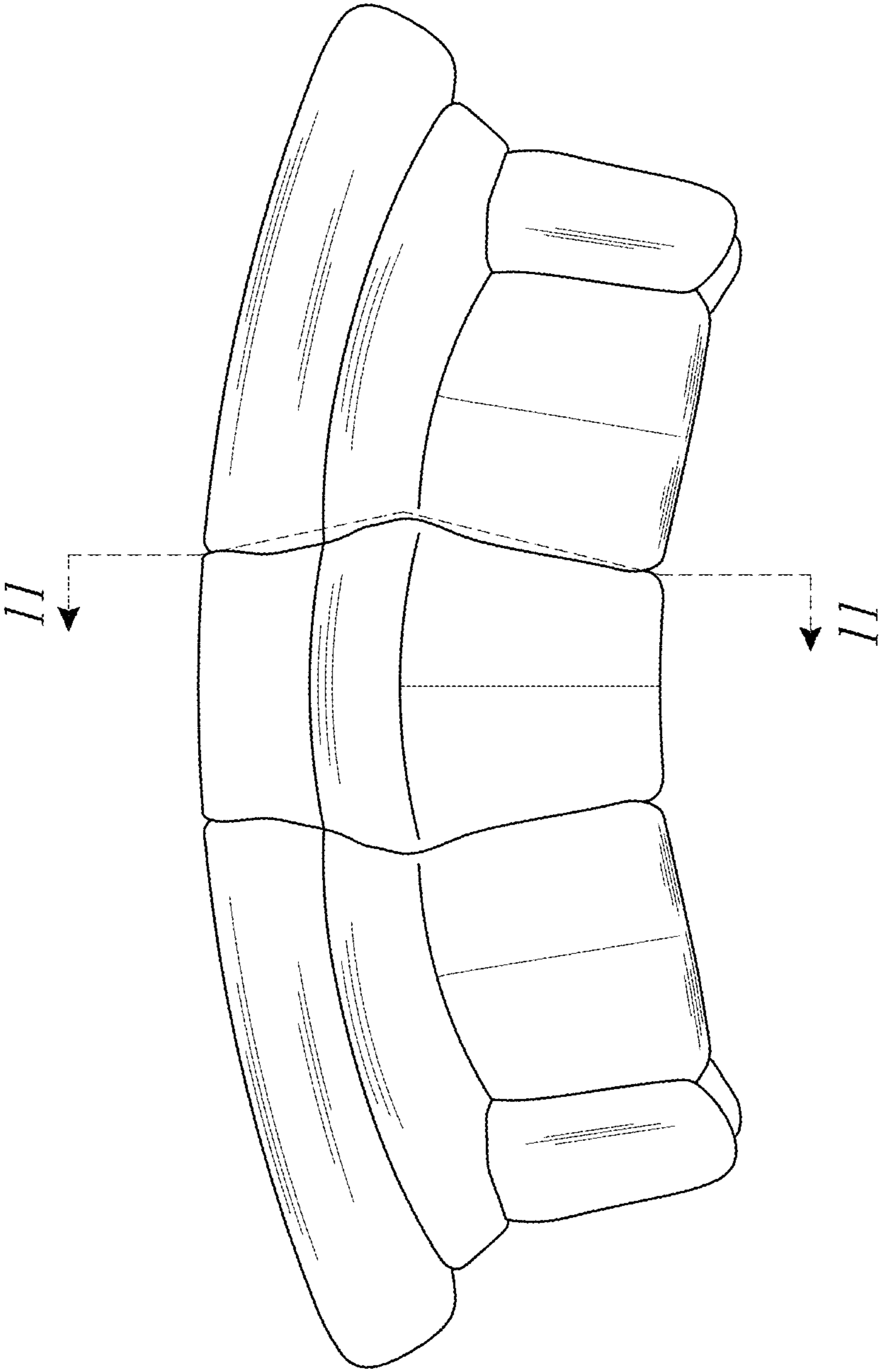


FIG. 3

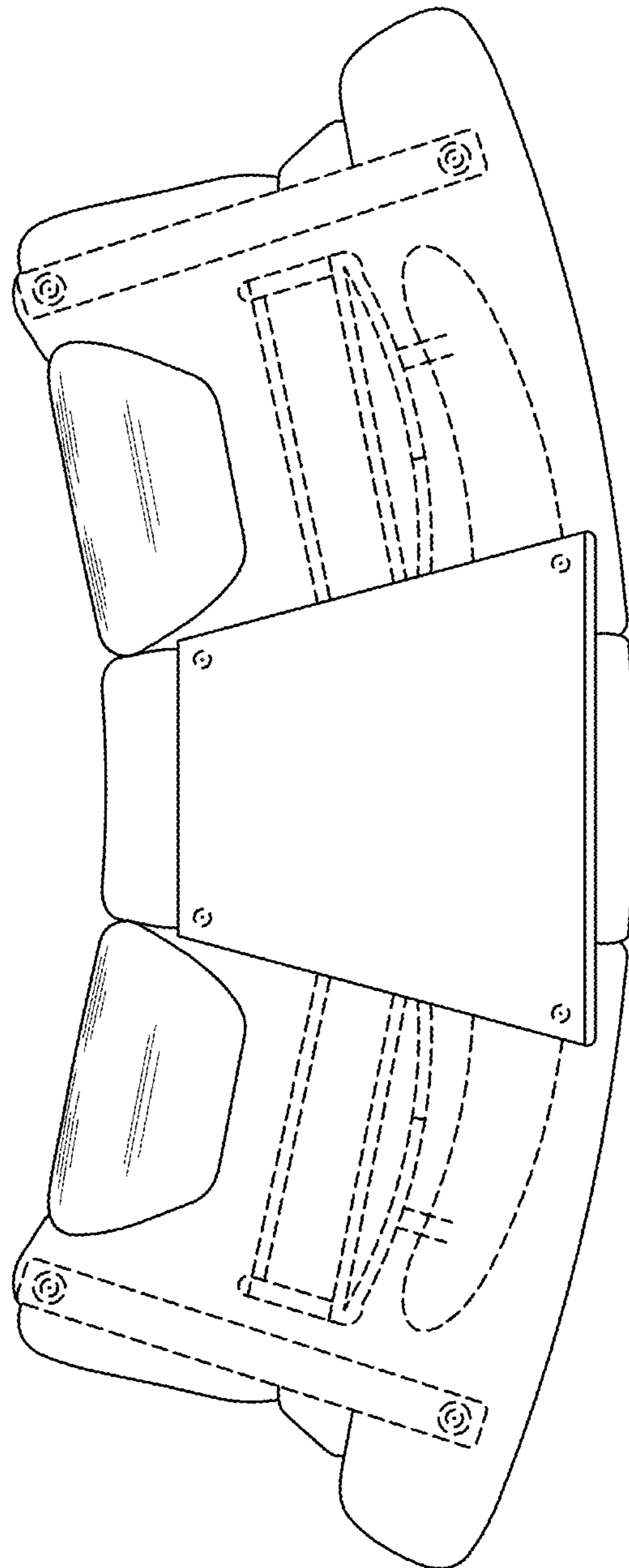
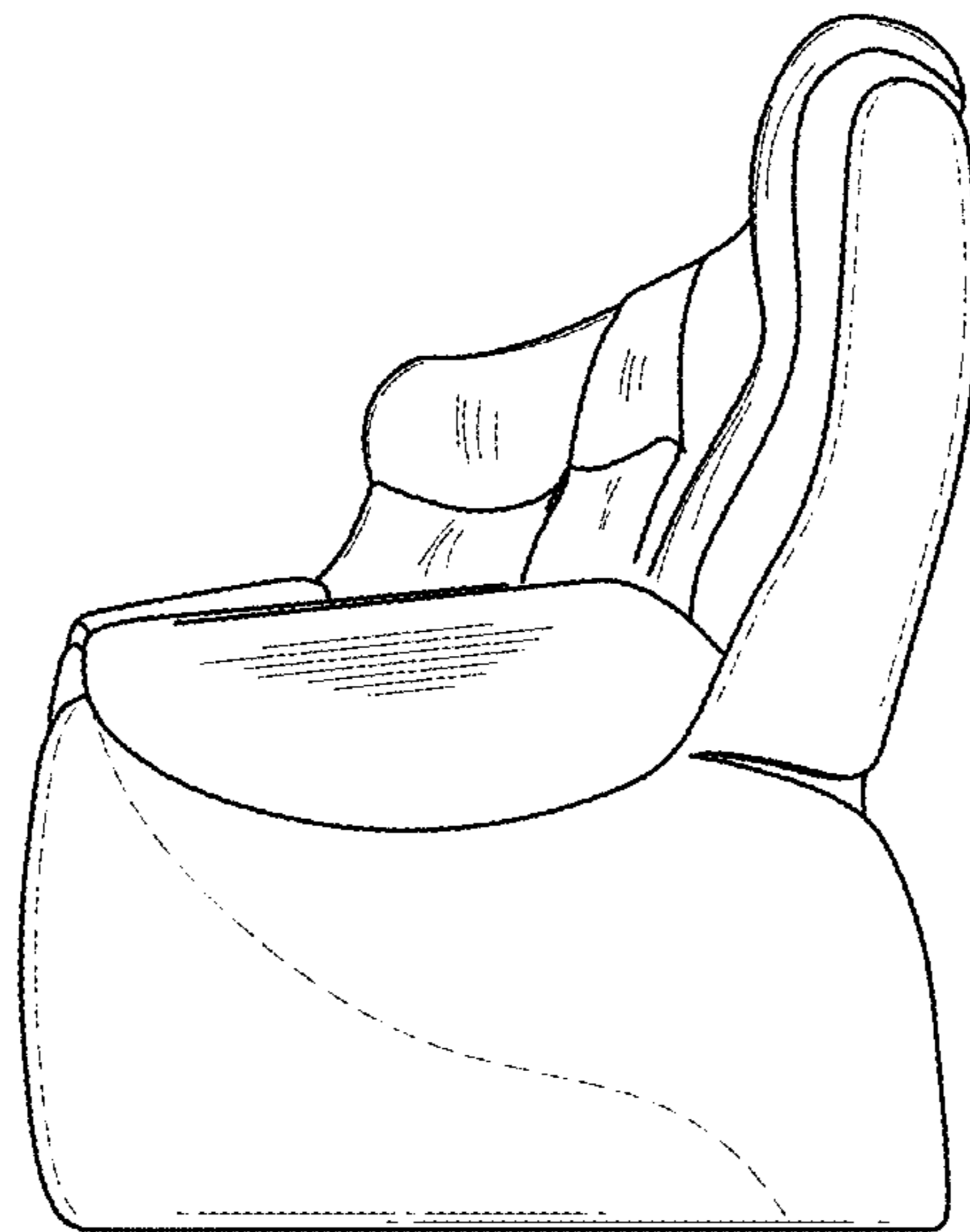
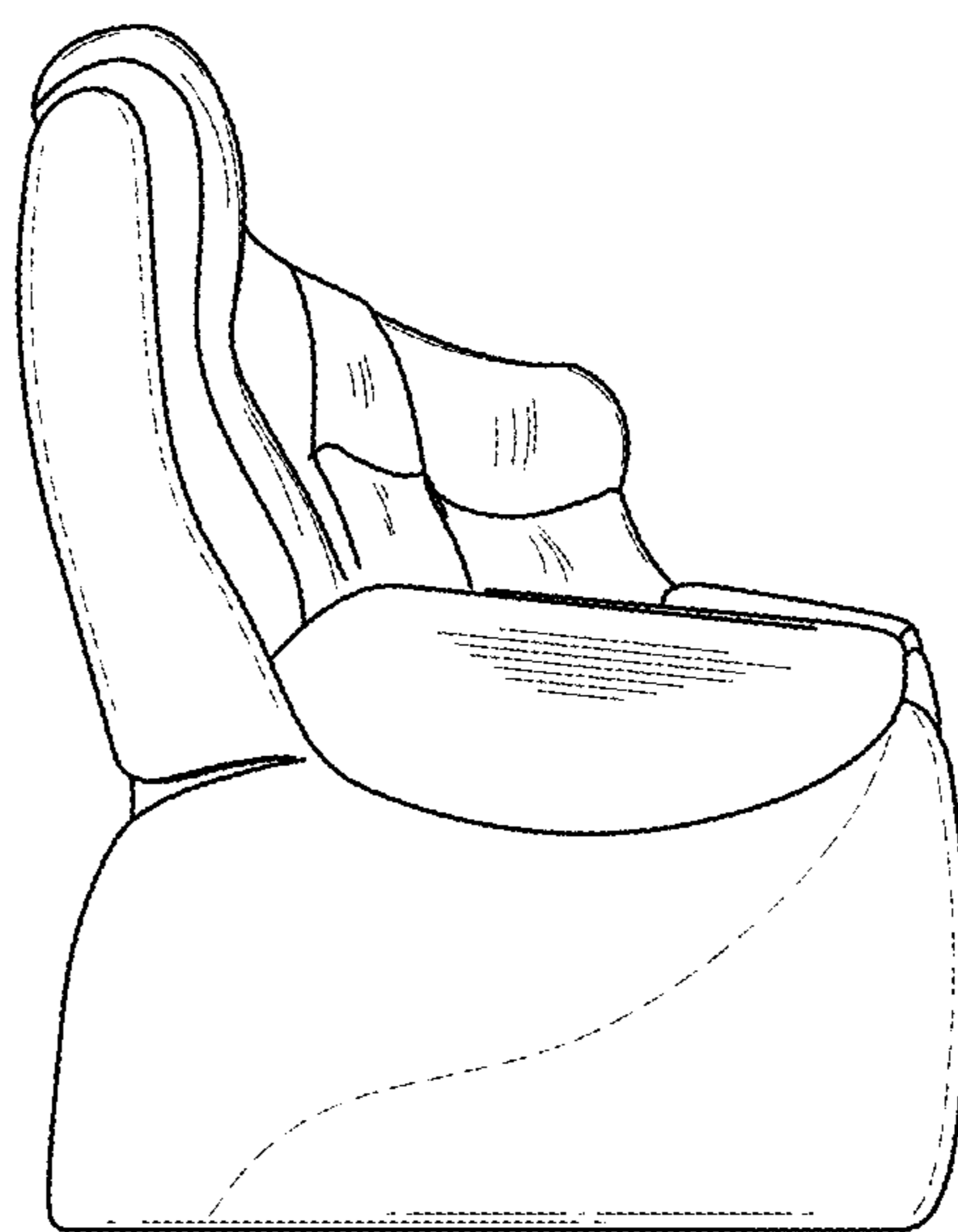


FIG. 4



*FIG. 5*



*FIG. 6*



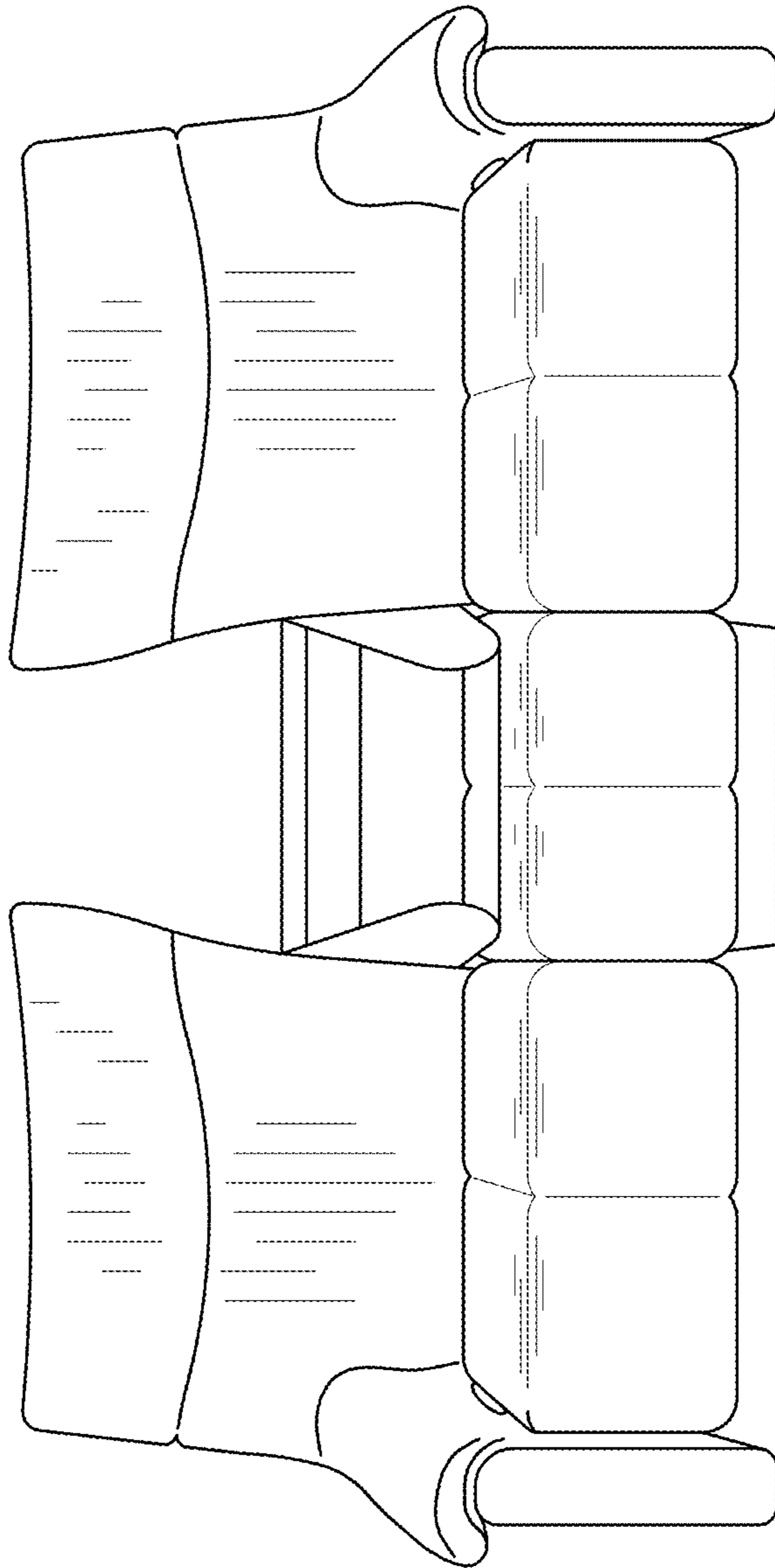


FIG. 7

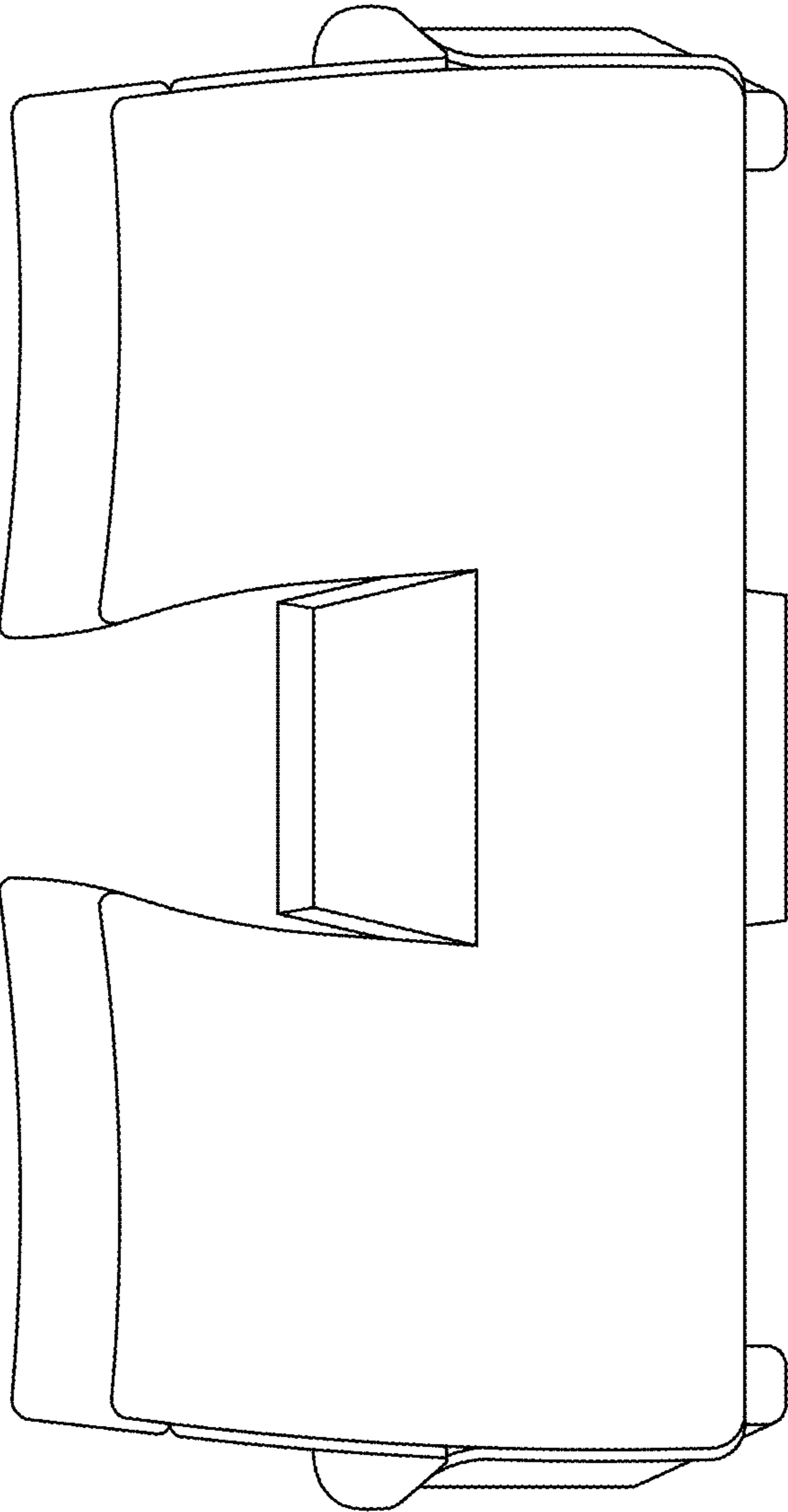


FIG. 8

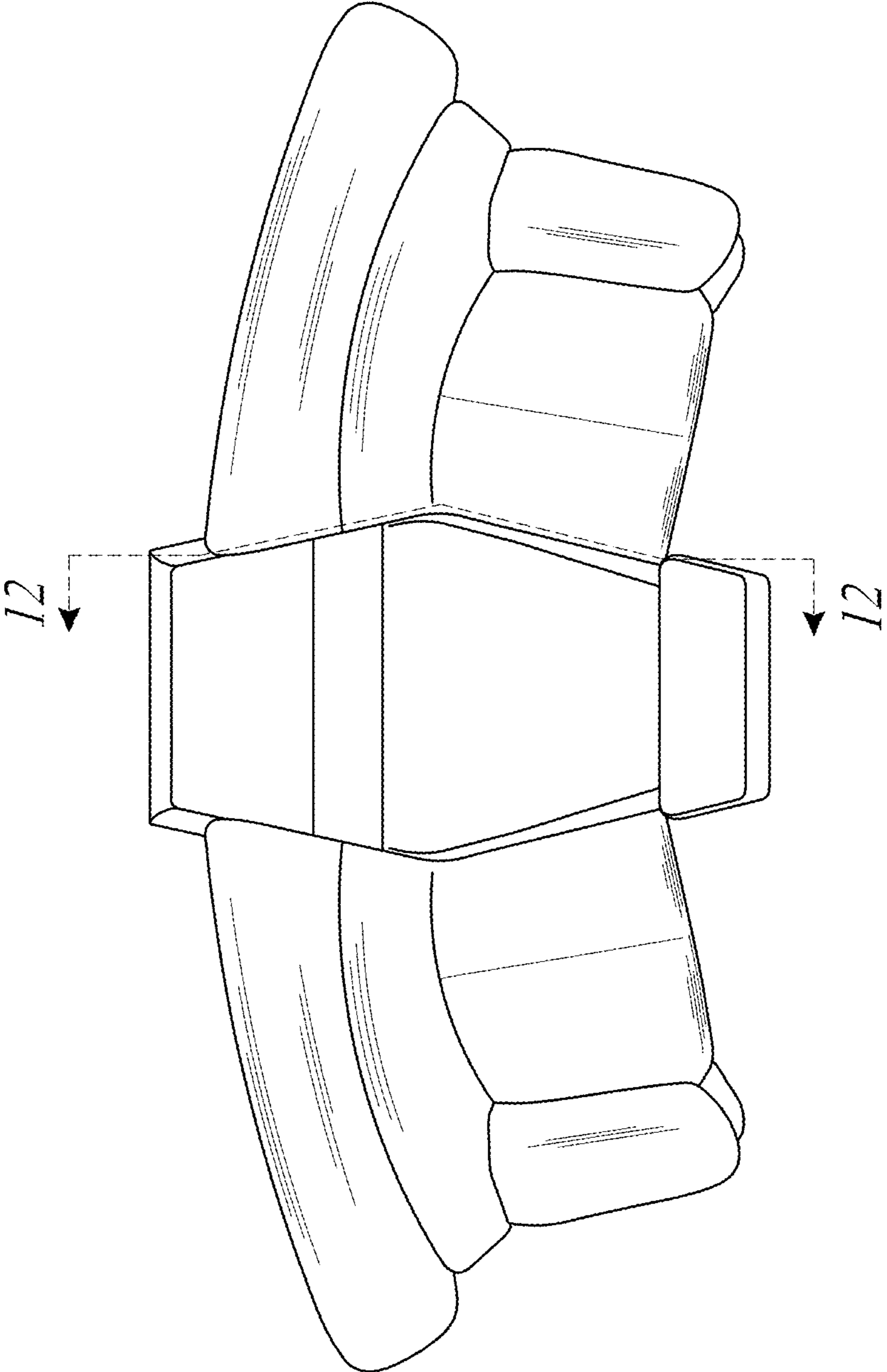


FIG. 9

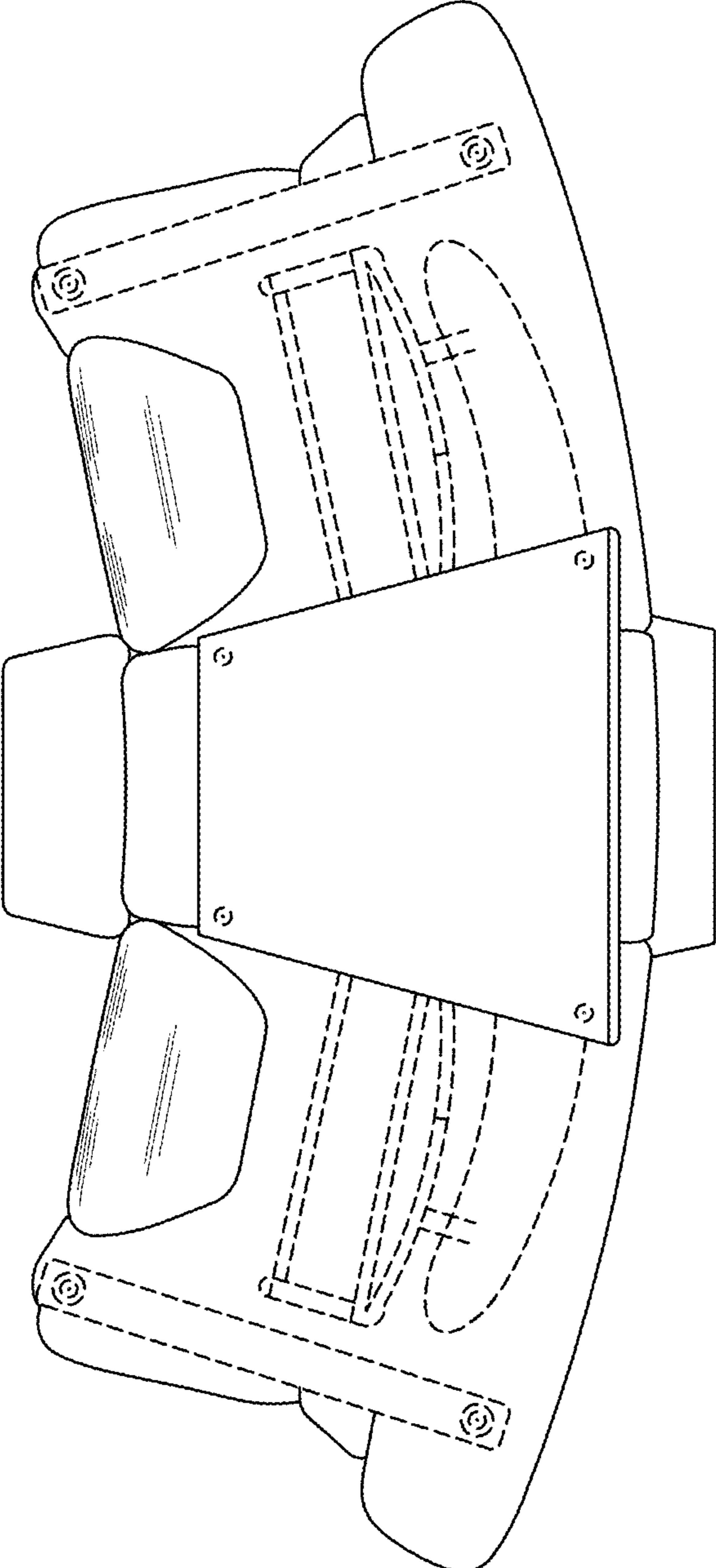
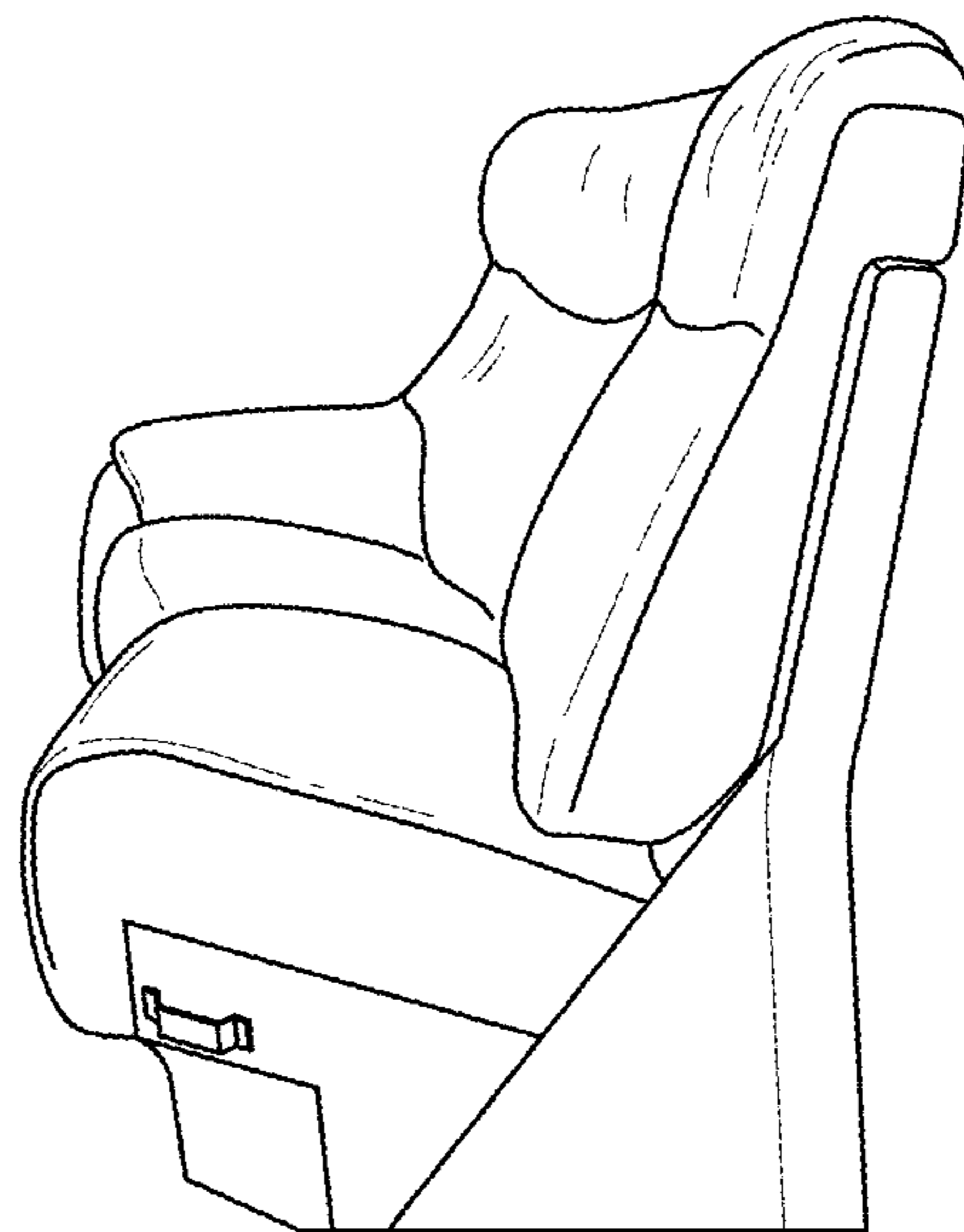
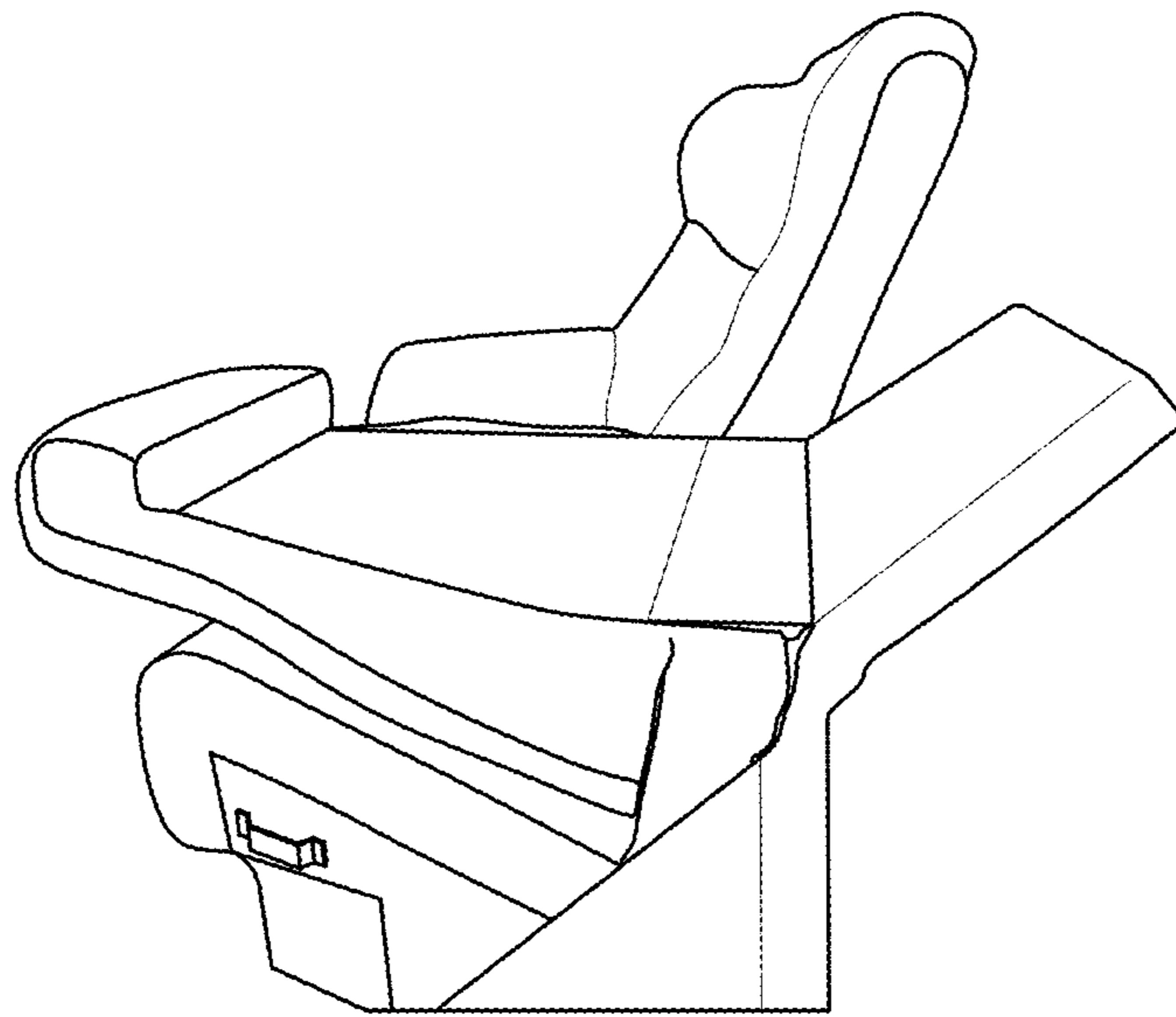


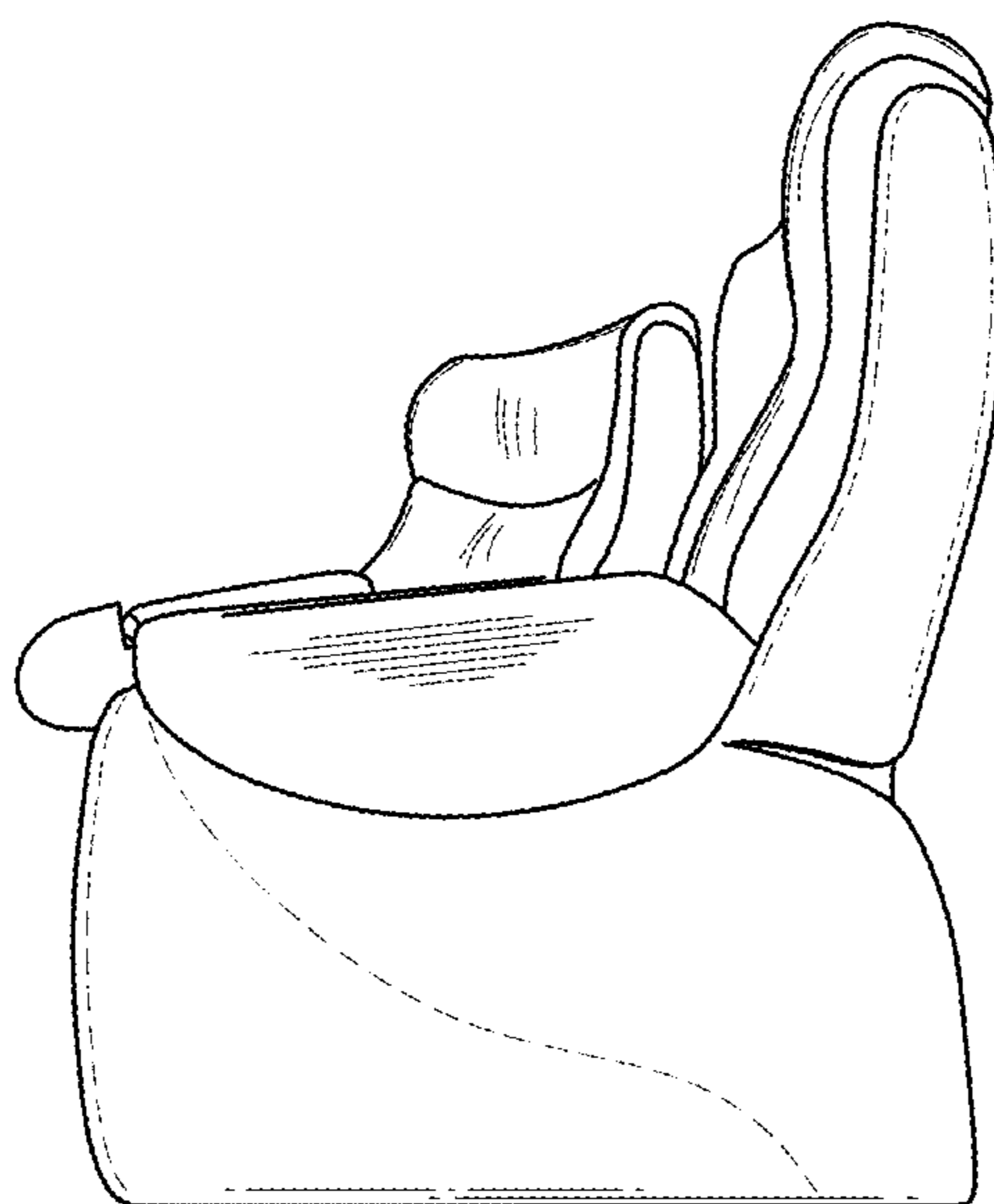
FIG. 10



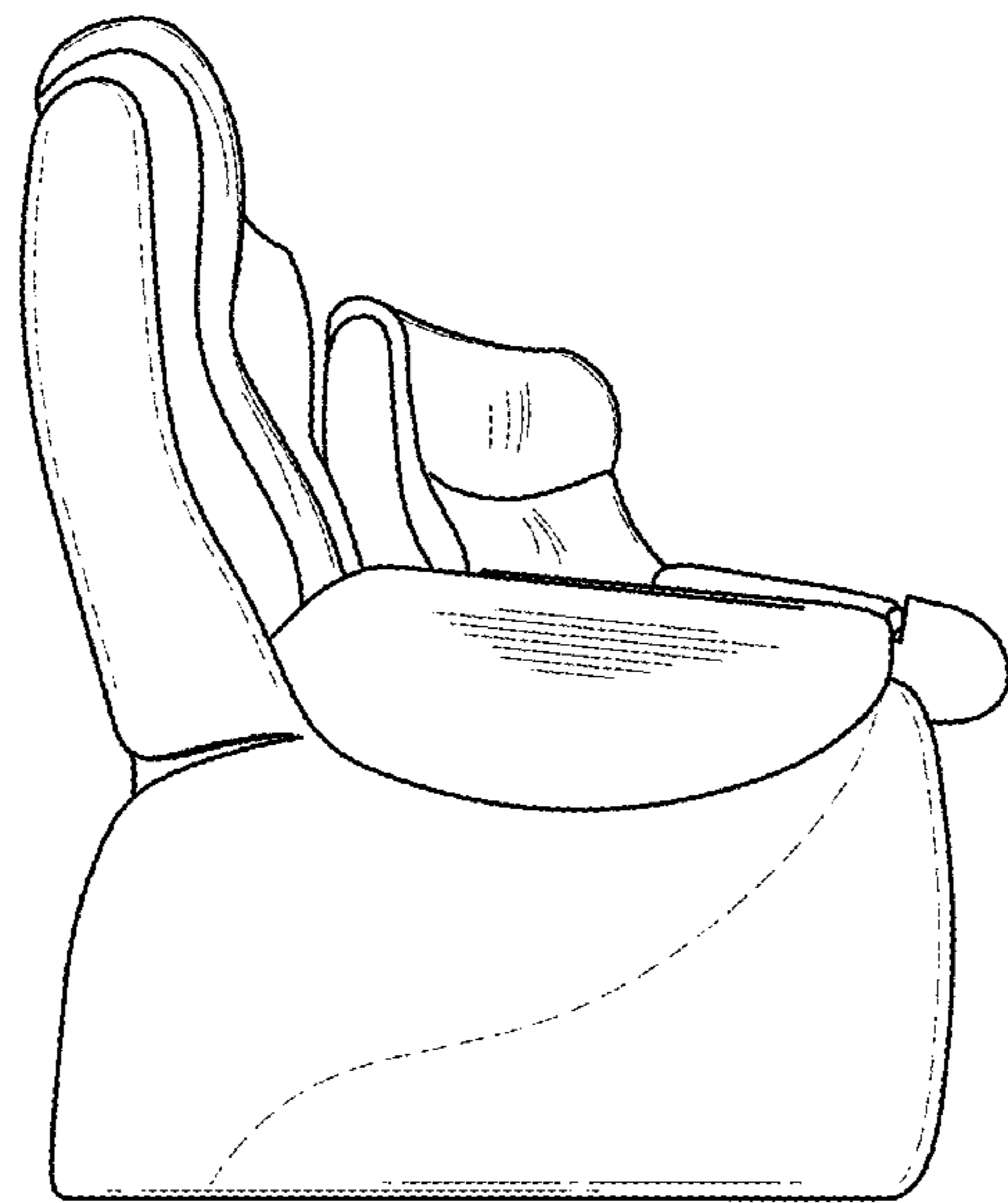
*FIG. 11*



*FIG. 12*



*FIG. 13*



*FIG. 14*



UNITED STATES PATENT AND TRADEMARK OFFICE  
**CERTIFICATE OF CORRECTION**

PATENT NO. : D771,402 S  
APPLICATION NO. : 29/532137  
DATED : November 15, 2016  
INVENTOR(S) : Franz Woller

Page 1 of 1

It is certified that error appears in the above-identified patent and that said Letters Patent is hereby corrected as shown below:

On the Title Page

Item (30), (Foreign Application Priority Data) at Line 2, Change "Jan. 15, 2015" to  
--Jan. 17, 2015--.

Signed and Sealed this  
Second Day of January, 2018



Joseph Matal

*Performing the Functions and Duties of the  
Under Secretary of Commerce for Intellectual Property and  
Director of the United States Patent and Trademark Office*