



US00D771400S

(12) **United States Design Patent** (10) **Patent No.:** **US D771,400 S**  
**DoVale** (45) **Date of Patent:** **\*\* Nov. 15, 2016**

(54) **STADIUM SEAT**  
(71) Applicant: **Anthony Joseph DoVale**, Roswell, GA (US)  
(72) Inventor: **Anthony Joseph DoVale**, Roswell, GA (US)  
(\*\*) Term: **14 Years**  
(21) Appl. No.: **29/519,425**

5,067,771 A 11/1991 Ellis  
D332,010 S 12/1992 Powers  
5,433,502 A 7/1995 Condorodis  
D360,768 S 8/1995 Hwang et al.  
5,516,193 A 5/1996 Simpson  
D376,484 S 12/1996 Gregory  
5,580,130 A 12/1996 Williams et al.  
D396,964 S 8/1998 Mullins  
D412,793 S 8/1999 Neubauer, Jr.  
5,961,178 A 10/1999 Hodson  
D418,317 S 1/2000 Rand  
D421,190 S 2/2000 Sagastegui

(Continued)

(22) Filed: **Mar. 4, 2015**  
(51) **LOC (10) Cl.** ..... **06-01**  
(52) **U.S. Cl.**  
USPC ..... **D6/368**  
(58) **Field of Classification Search**  
USPC ..... D6/334-336, 360-381, 716,  
D6/716.1-716.4  
CPC ..... A47C 1/032; A47C 1/12; A47C 1/16;  
A47C 1/121; A47C 1/124; A47C 3/16;  
A47C 7/021; A47C 7/56; A47C 7/62; A47C  
7/407; B60N 2/02; B60N 2/686; B63B 29/04  
See application file for complete search history.

**OTHER PUBLICATIONS**

OurChairs, www.stadiumchairs.com, Aug. 4, 2014.

*Primary Examiner* — Ricky Pham  
(74) *Attorney, Agent, or Firm* — FisherBroyles, LLP;  
Anthony J. DoVale

(57) **CLAIM**  
The ornamental design for the stadium seat, as shown and described.

(56) **References Cited**

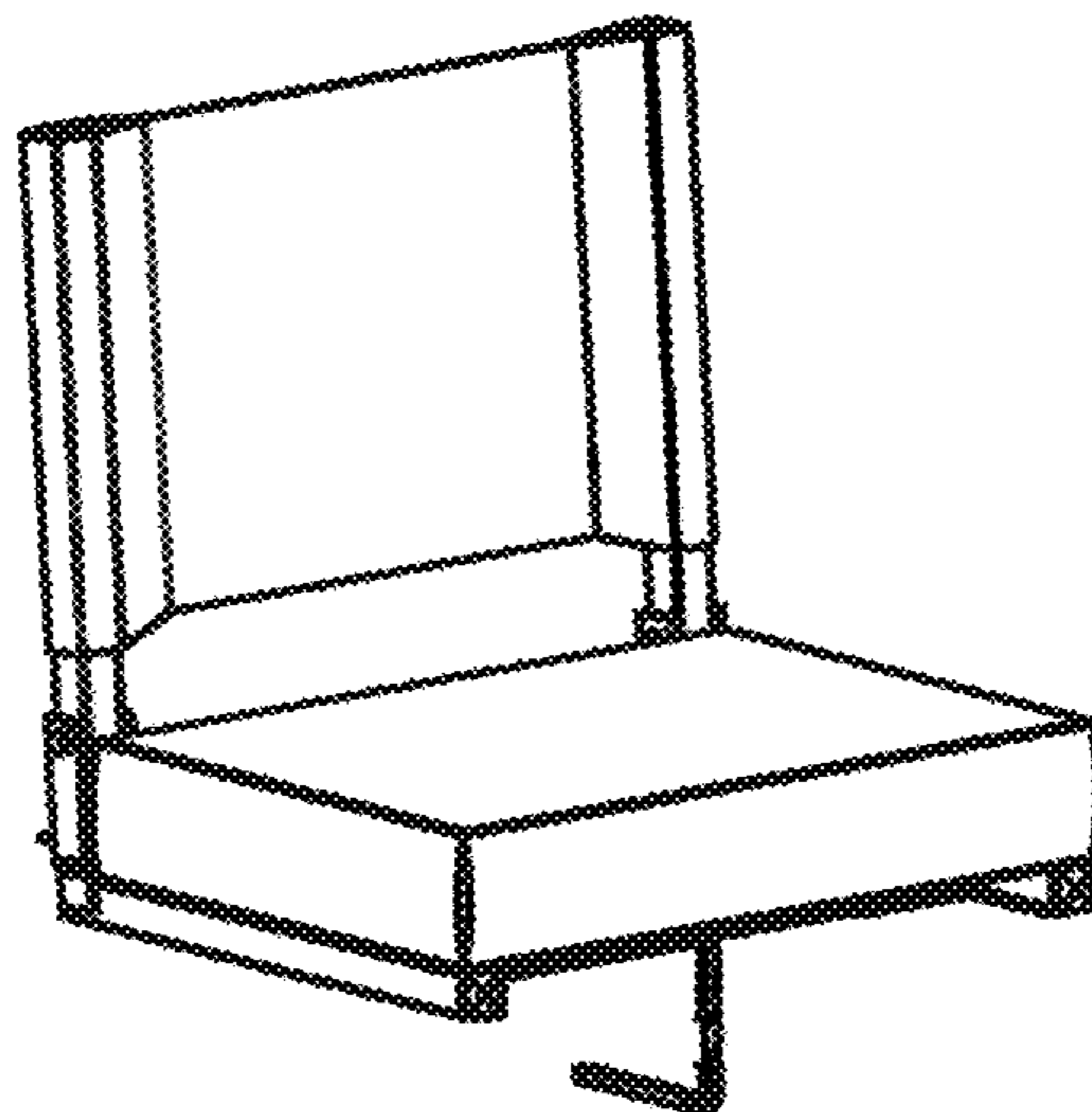
**U.S. PATENT DOCUMENTS**

D121,266 S \* 7/1940 Archer ..... 297/250.1  
2,792,875 A 5/1957 Pirrone  
3,026,142 A \* 3/1962 Holloway ..... A47C 1/16  
297/252  
3,066,980 A 12/1962 Clute  
3,560,047 A \* 2/1971 Davis ..... A47C 7/62  
297/188.01  
3,994,529 A 11/1976 Lippert  
D252,658 S \* 8/1979 Kressin ..... D6/368  
4,190,918 A 3/1980 Harvell  
4,541,666 A 9/1985 Vanderminden  
D293,282 S 12/1987 Ashford  
4,715,652 A 12/1987 Ward  
4,781,413 A \* 11/1988 Shumack, Jr. .... A47C 7/021  
297/188.14  
4,824,171 A 4/1989 Hollingsworth  
4,930,838 A 6/1990 Brabant  
5,058,949 A 10/1991 Hoffman

**DESCRIPTION**

FIG. 1 is a front left perspective view of one aspect of a stadium seat;  
FIG. 2 is a front right perspective view of the stadium seat of FIG. 1;  
FIG. 3 is a front elevational view of the stadium seat of FIG. 1;  
FIG. 4 is a left side elevational view of the stadium seat of FIG. 1;  
FIG. 5 is a rear elevational view of the stadium seat of FIG. 1;  
FIG. 6 is a top plan view of the stadium seat of FIG. 1;  
FIG. 7 is a right side elevational view of the stadium seat of FIG. 1; and,  
FIG. 8 is bottom elevational view of the stadium seat of FIG. 1.

**1 Claim, 8 Drawing Sheets**



# US D771,400 S

Page 2

(56)

## References Cited

### U.S. PATENT DOCUMENTS

D421,191 S 2/2000 Rand  
D425,716 S \* 5/2000 Jensen ..... D6/368  
6,203,108 B1 3/2001 Mattison, Jr.  
6,352,306 B1 \* 3/2002 Dreiling ..... A47C 1/16  
297/252  
D459,602 S 7/2002 Kreiss  
D468,548 S \* 1/2003 Head, Jr. .... D6/368  
6,502,902 B1 1/2003 Romero

D495,511 S \* 9/2004 Dingess ..... D6/368  
6,789,494 B2 \* 9/2004 Neese ..... B63B 29/04  
114/343  
7,316,452 B2 \* 1/2008 Vestweber ..... A47C 1/16  
297/252  
D634,951 S \* 3/2011 Dreiling ..... D6/362  
8,322,784 B2 12/2012 Ayre et al.  
D713,192 S 9/2014 Wood  
2008/0093902 A1 \* 4/2008 Jones ..... A47C 1/16  
297/252

\* cited by examiner

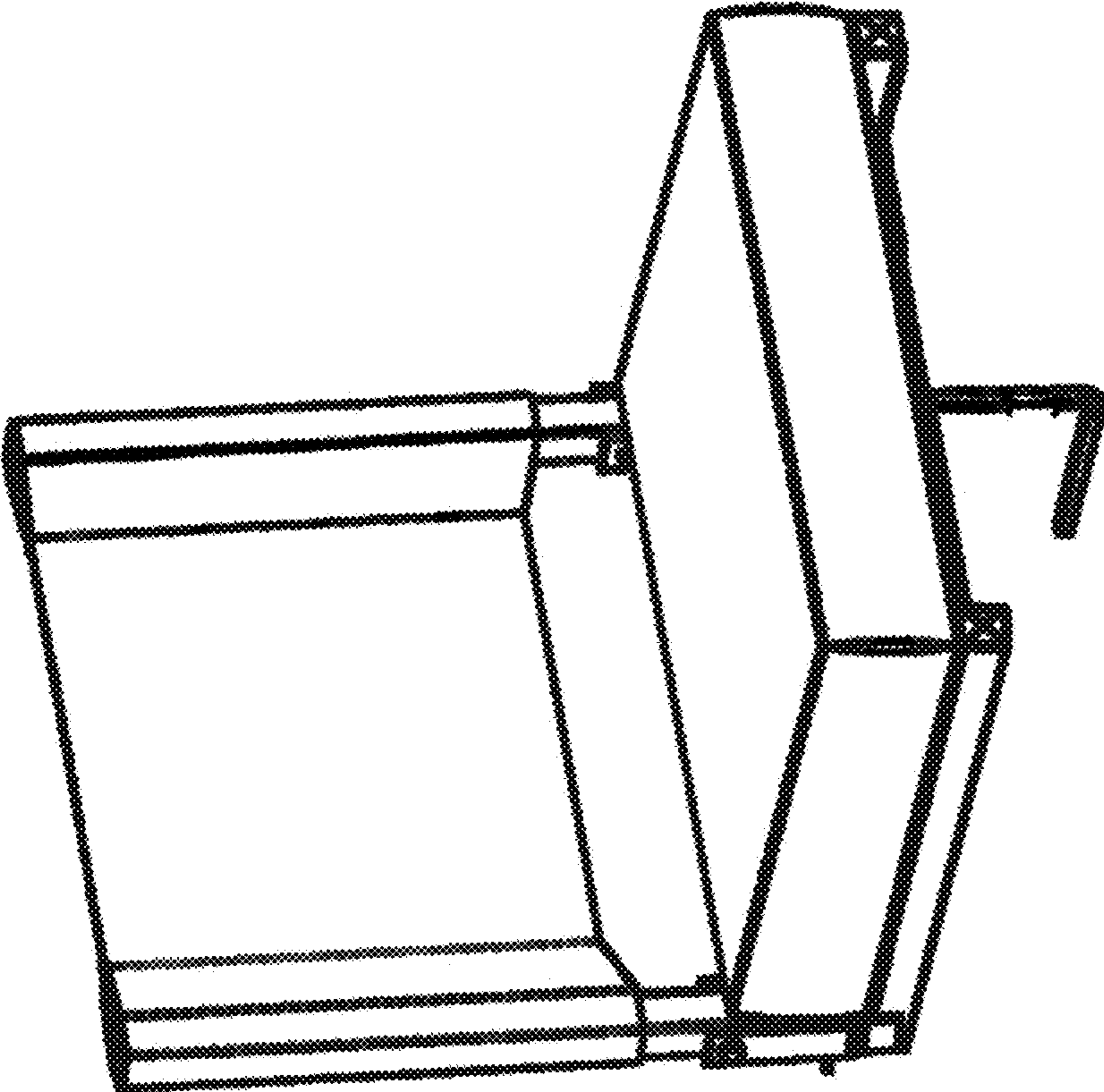


FIG. 1

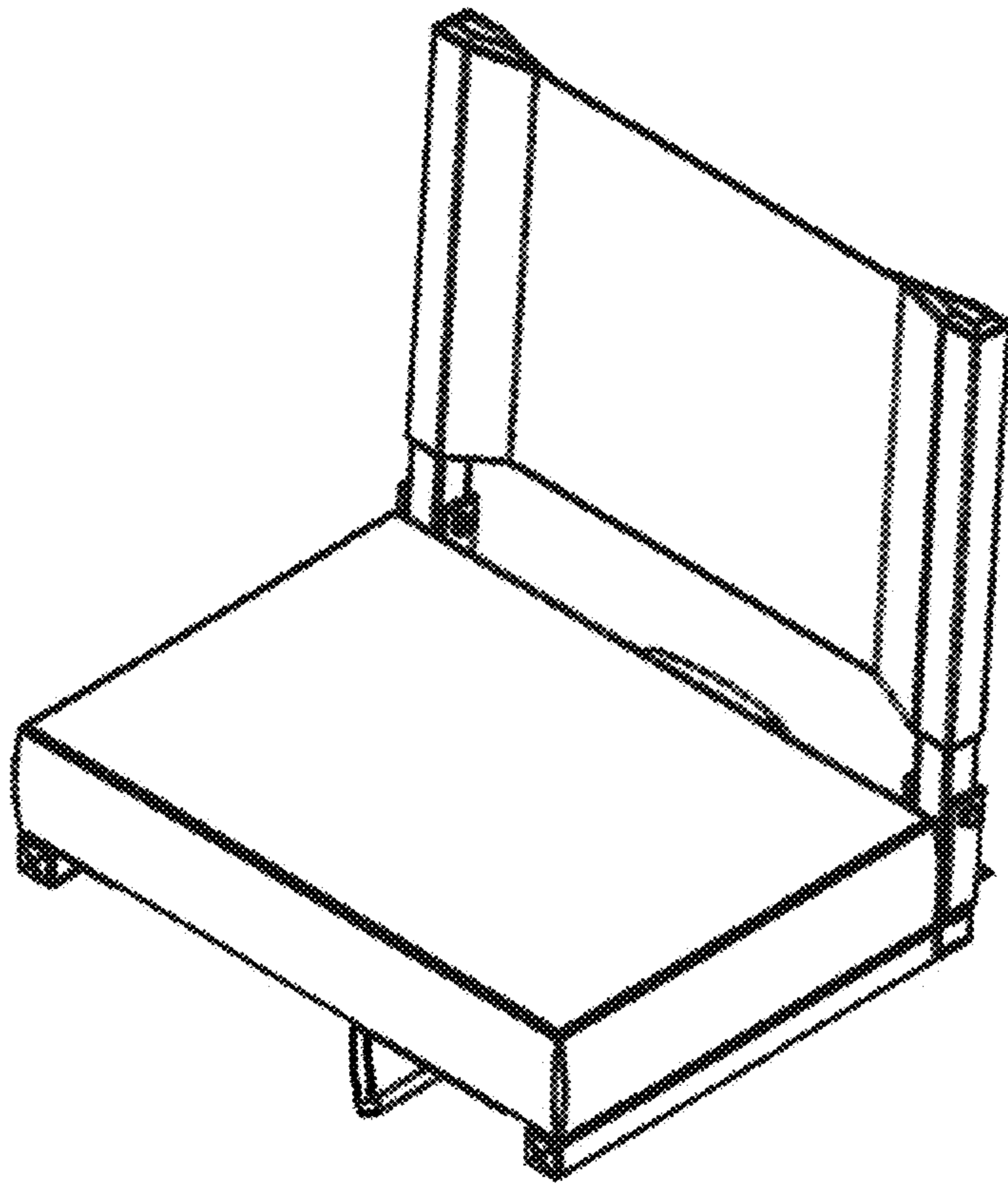


FIG. 2

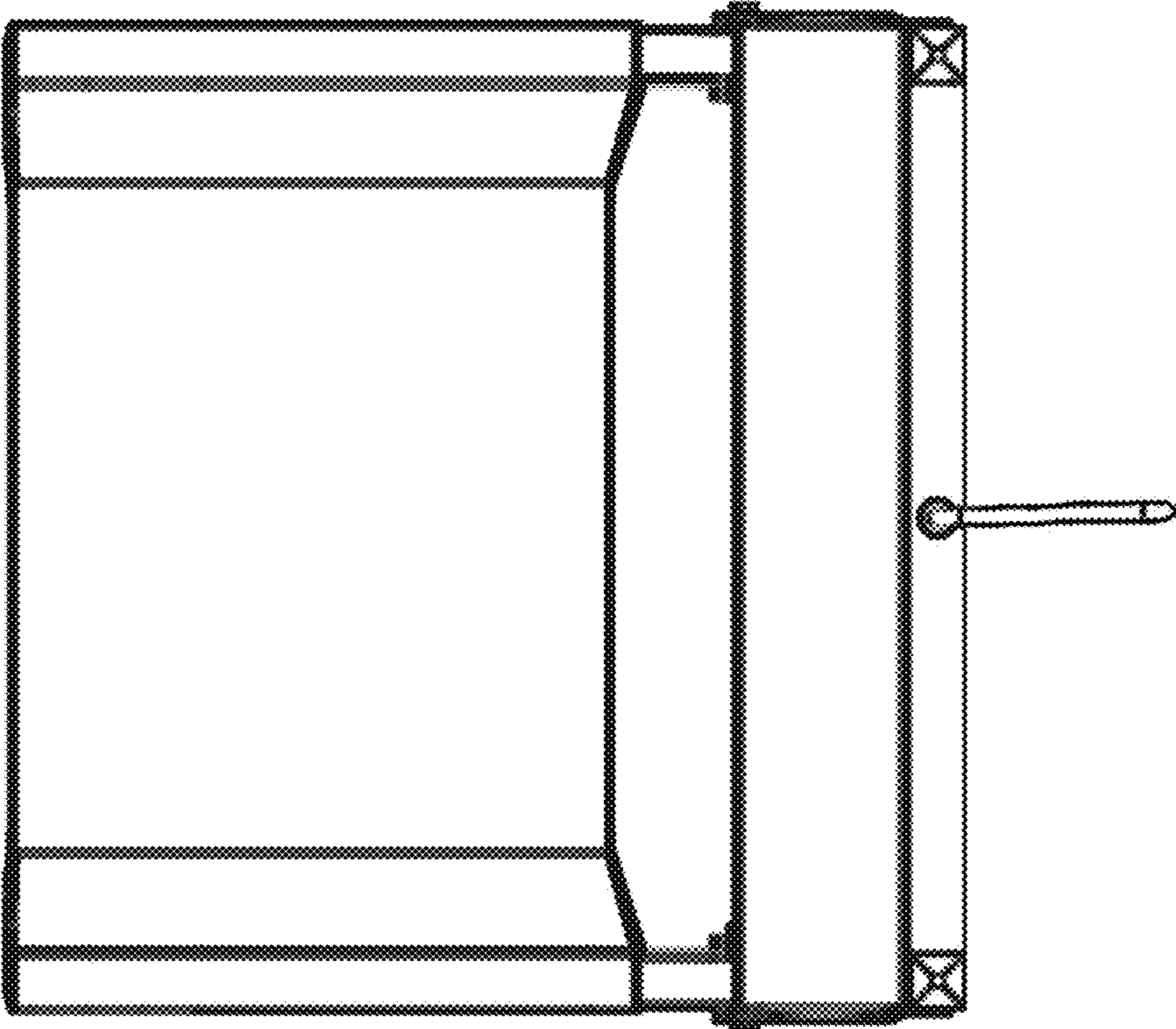


FIG. 3

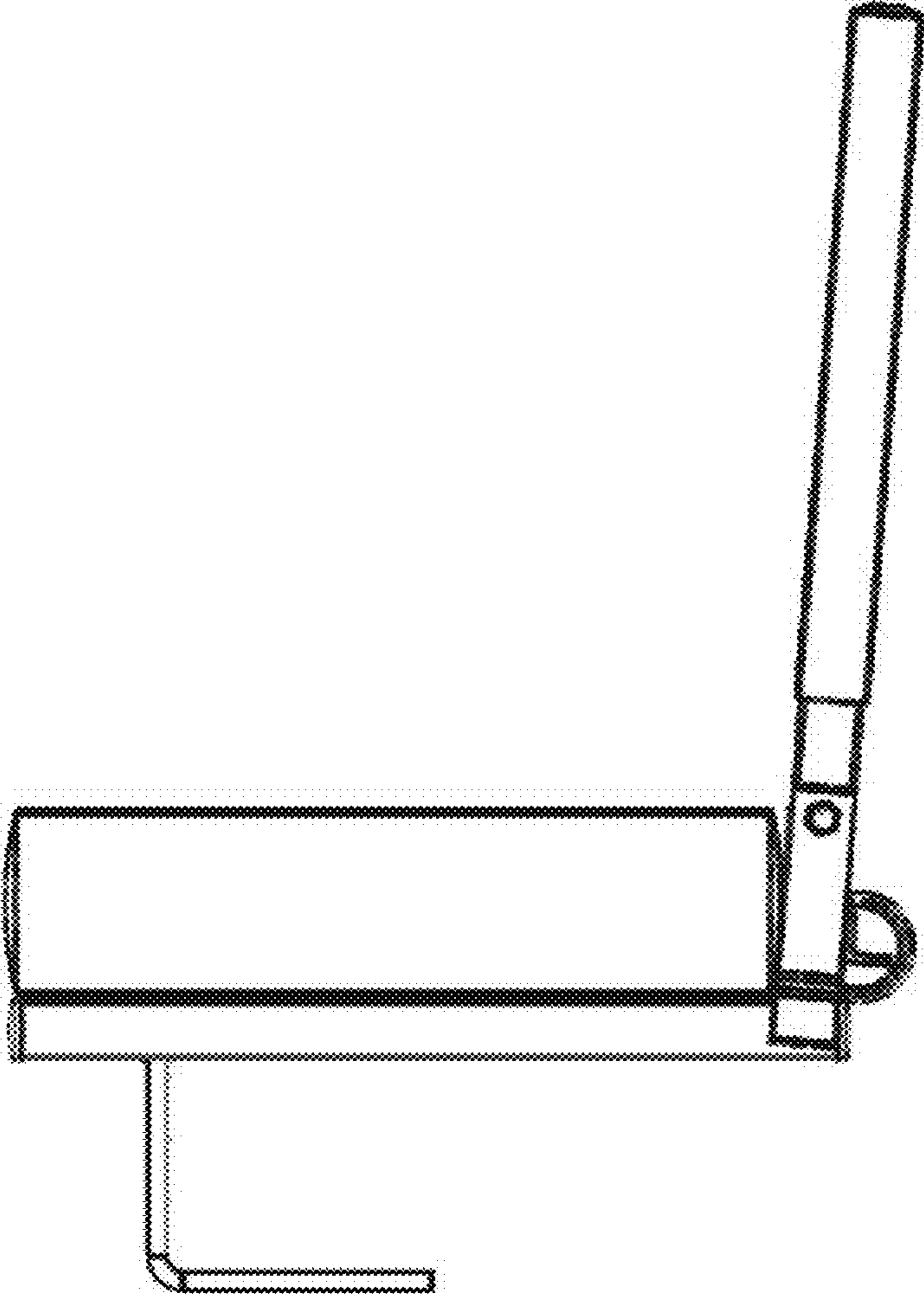


FIG. 4

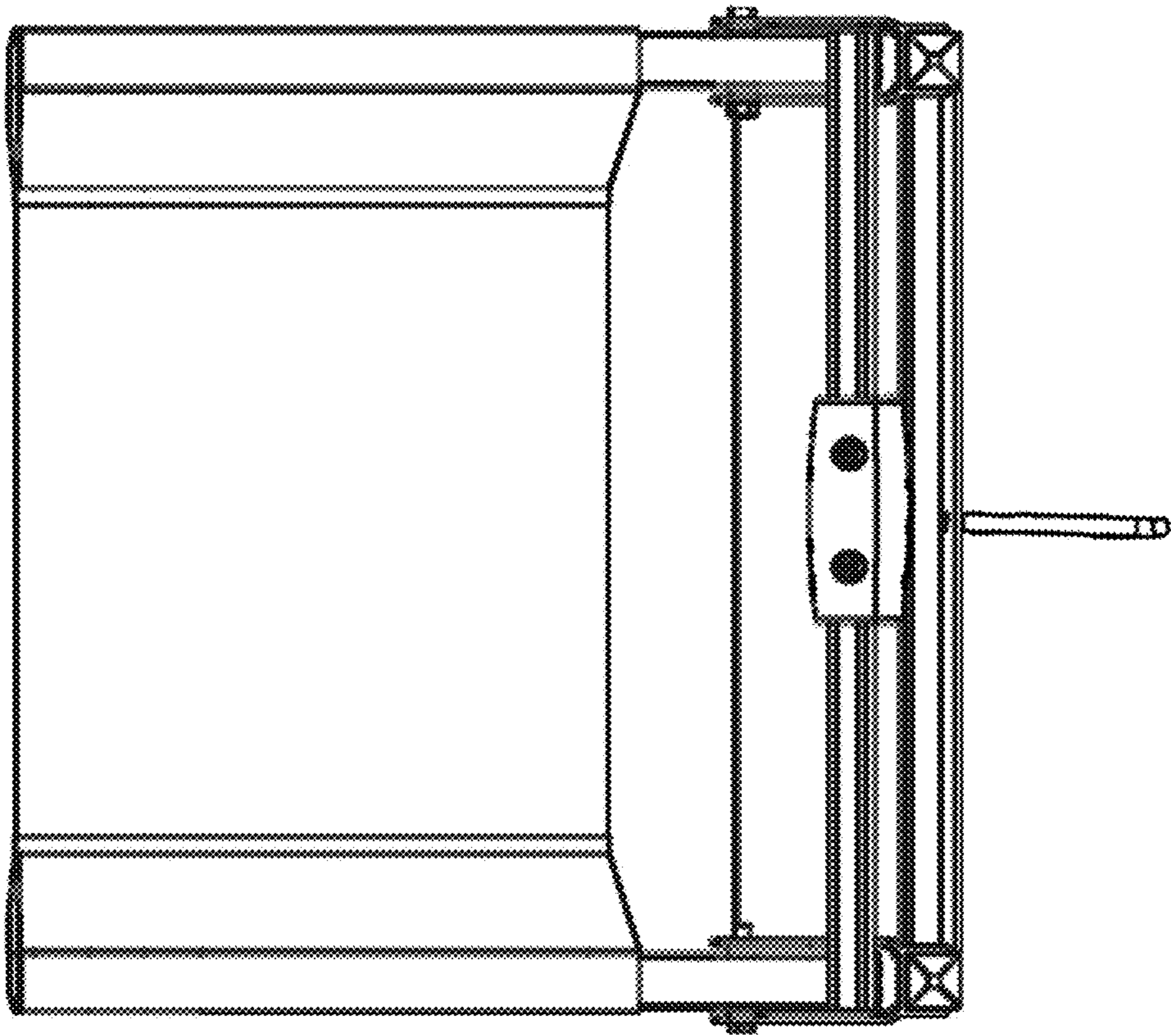


FIG. 5

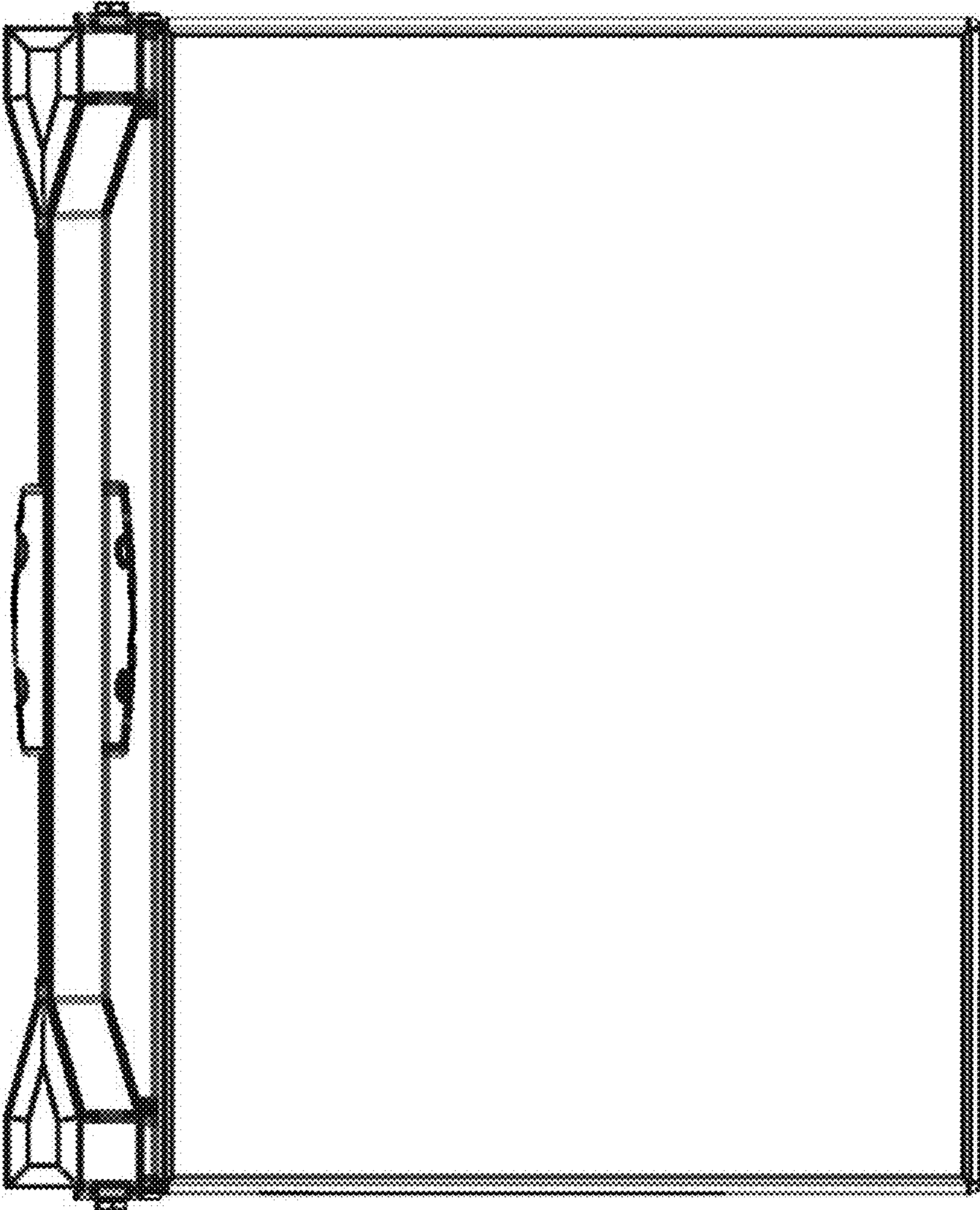


FIG. 6



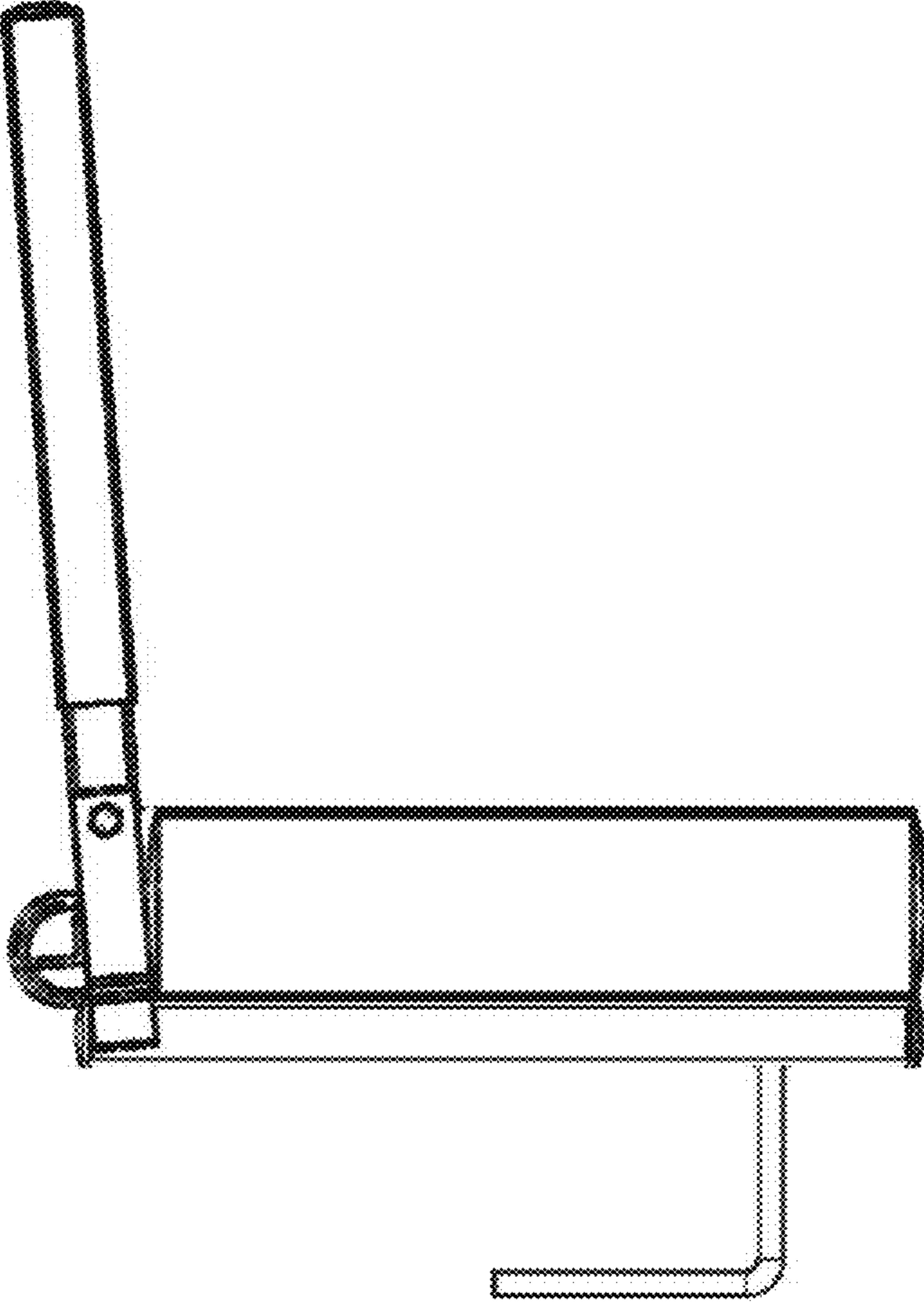


FIG. 7

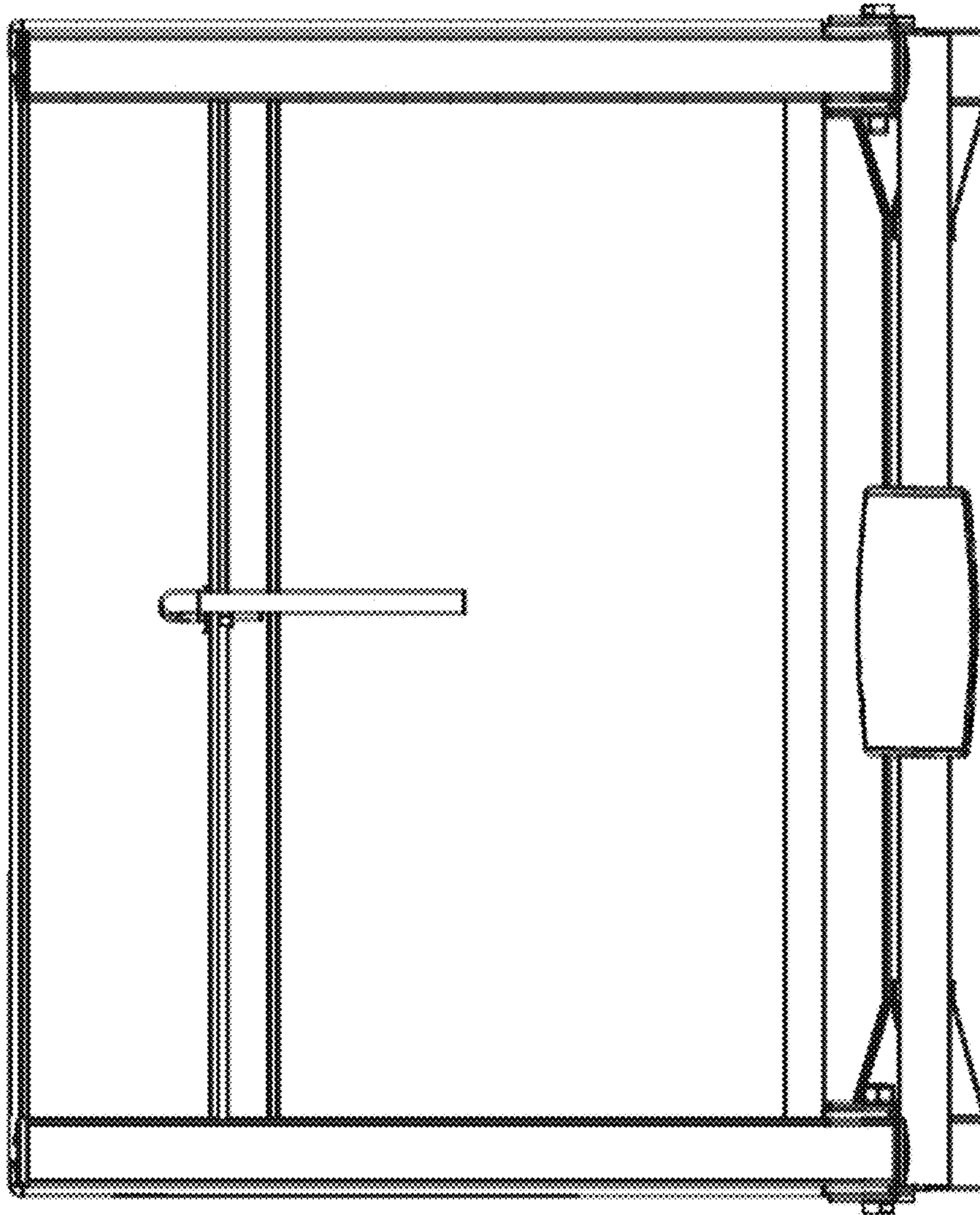


FIG. 8