



US00D771397S

(12) **United States Design Patent** (10) **Patent No.:** **US D771,397 S**
Jaap (45) **Date of Patent:** **** Nov. 15, 2016**

(54) **CORNER STEP STOOL**
(71) Applicant: **David M. Jaap**, Rockwell, NC (US)
(72) Inventor: **David M. Jaap**, Rockwell, NC (US)
(**) Term: **14 Years**
(21) Appl. No.: **29/516,404**
(22) Filed: **Feb. 2, 2015**
(51) **LOC (10) Cl.** **06-01**
(52) **U.S. Cl.**
USPC **D6/350**
(58) **Field of Classification Search**
USPC D6/336, 338, 341, 349, 350, 352, 353,
D6/675, 675.3, 681, 691, 691.1, 691.4,
D6/692, 692.3, 694, 694.2, 708, 708.17,
D6/708.21, 707.2, 716, 716.1; D25/63, 65,
D25/68
CPC A47C 9/00; A47C 9/02; A47C 9/002;
A47C 9/007; A47C 9/025; A47C 9/10;
A47C 11/00; A47C 12/00; A47C 13/00;
A47C 5/02; A47C 5/04; A47C 5/043; A47C
7/00-7/006; A47C 7/02; A47C 16/02-16/04;
A47B 3/00; A47B 3/02; A47B 3/04; A47B
3/12
See application file for complete search history.

(56) **References Cited**
U.S. PATENT DOCUMENTS
D111,519 S * 9/1938 McCune D6/678.2
D143,599 S * 1/1946 Karp 108/92
D239,902 S * 5/1976 Goulder D6/672
D303,879 S * 10/1989 Williams D6/673
D389,333 S * 1/1998 Griffith D6/336
D520,267 S * 5/2006 Berger D6/678.2

D562,594 S * 2/2008 Thompson D6/675.3
D746,606 S * 1/2016 Jaap D6/350
2010/0026075 A1* 2/2010 Zenisek A47C 9/00
297/411.2

OTHER PUBLICATIONS

Unfinished Oak Cornerstep Step Stool. [online] Retrieved Jun. 23, 2016 from URL: <<https://www.etsy.com/listing/224266330/unfinishedoakcornerstepstool?ref=related7>>.*

* cited by examiner

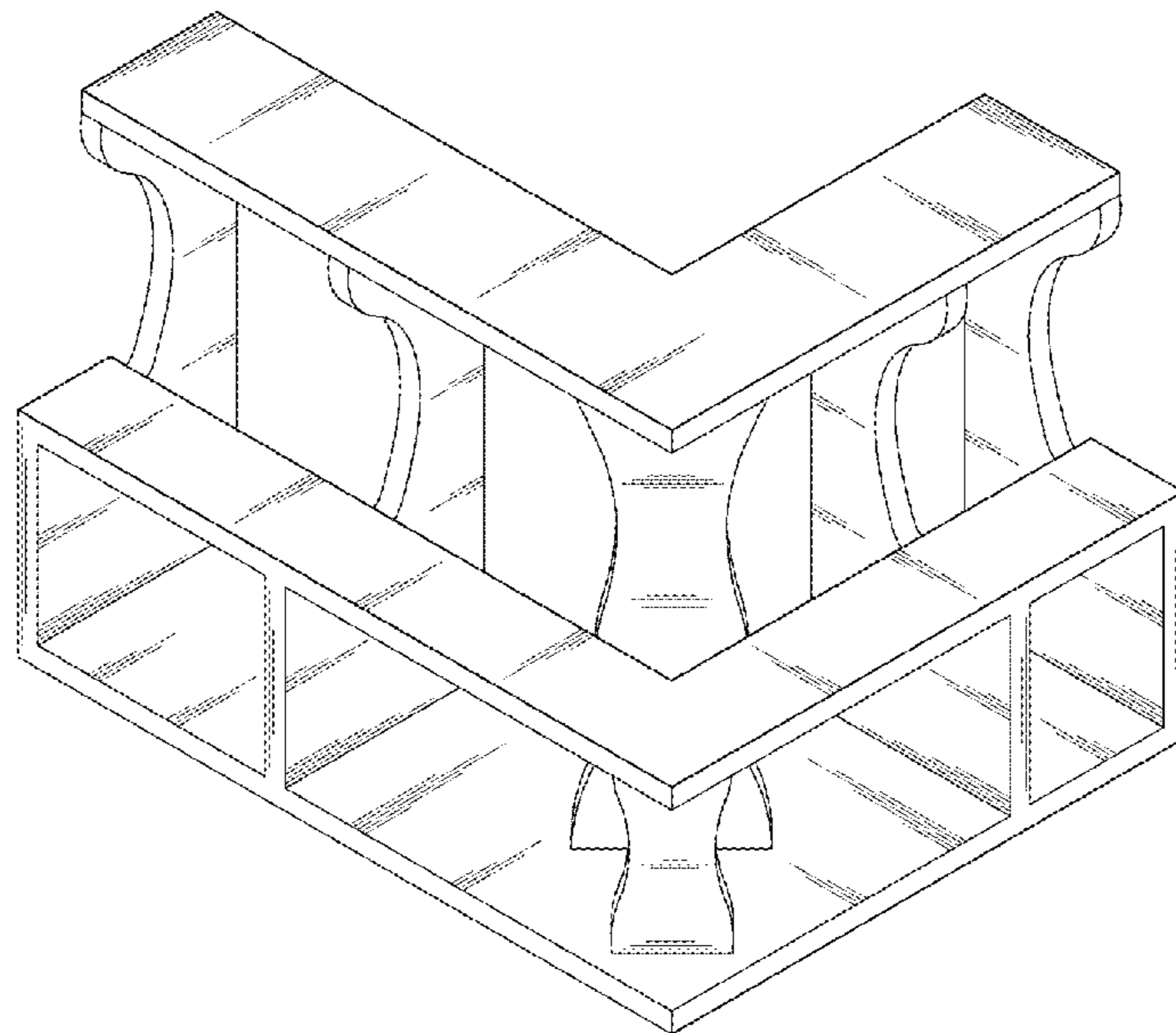
Primary Examiner — Vy Koenig
(74) *Attorney, Agent, or Firm* — Lin & Associates
Intellectual Property, Inc.

(57) **CLAIM**
The ornamental design for a corner step stool, as shown and described.

DESCRIPTION

FIG. 1 is a perspective view of a corner step stool showing my new design;
FIG. 2 is a front elevational view thereof;
FIG. 3 is a rear elevational view thereof;
FIG. 4 is a left elevational view thereof;
FIG. 5 is a right elevational view thereof;
FIG. 6 is a top view thereof;
FIG. 7 is a bottom view thereof;
FIG. 8 is a perspective view from another direction of the corner step stool; and,
FIG. 9 is a perspective view from yet another direction of the corner step stool.

1 Claim, 9 Drawing Sheets



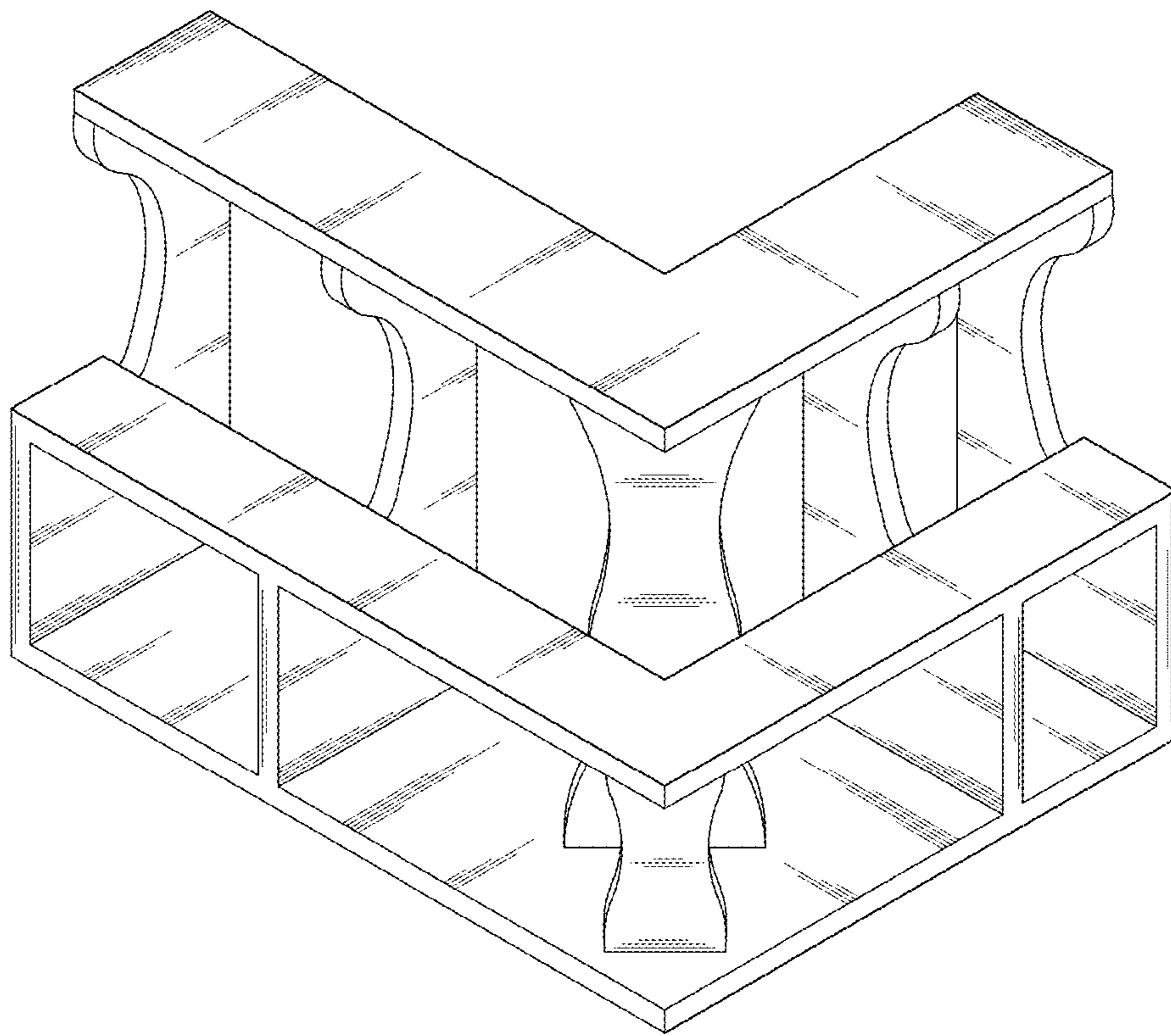


FIG. 1

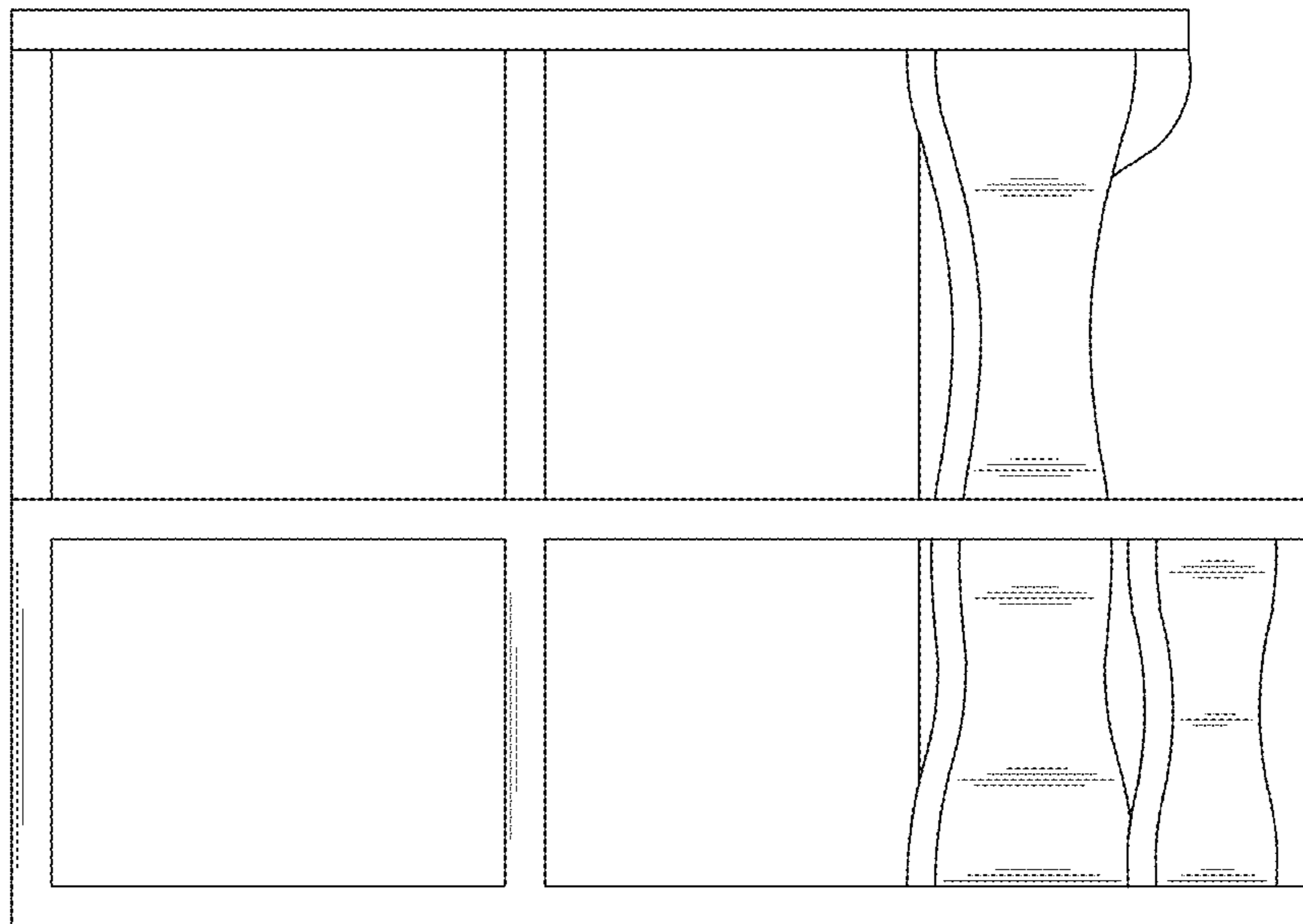


FIG. 2

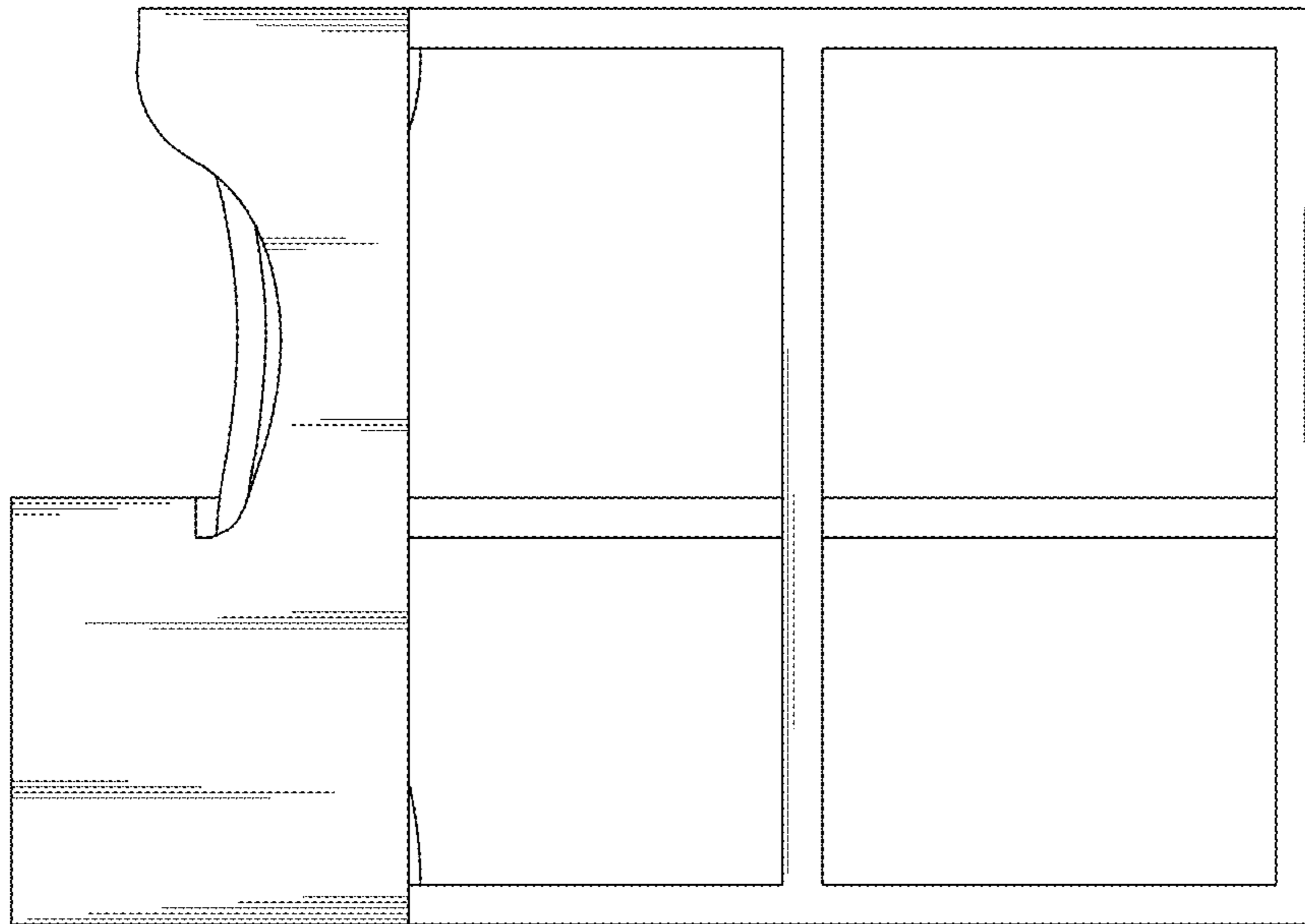


FIG. 3

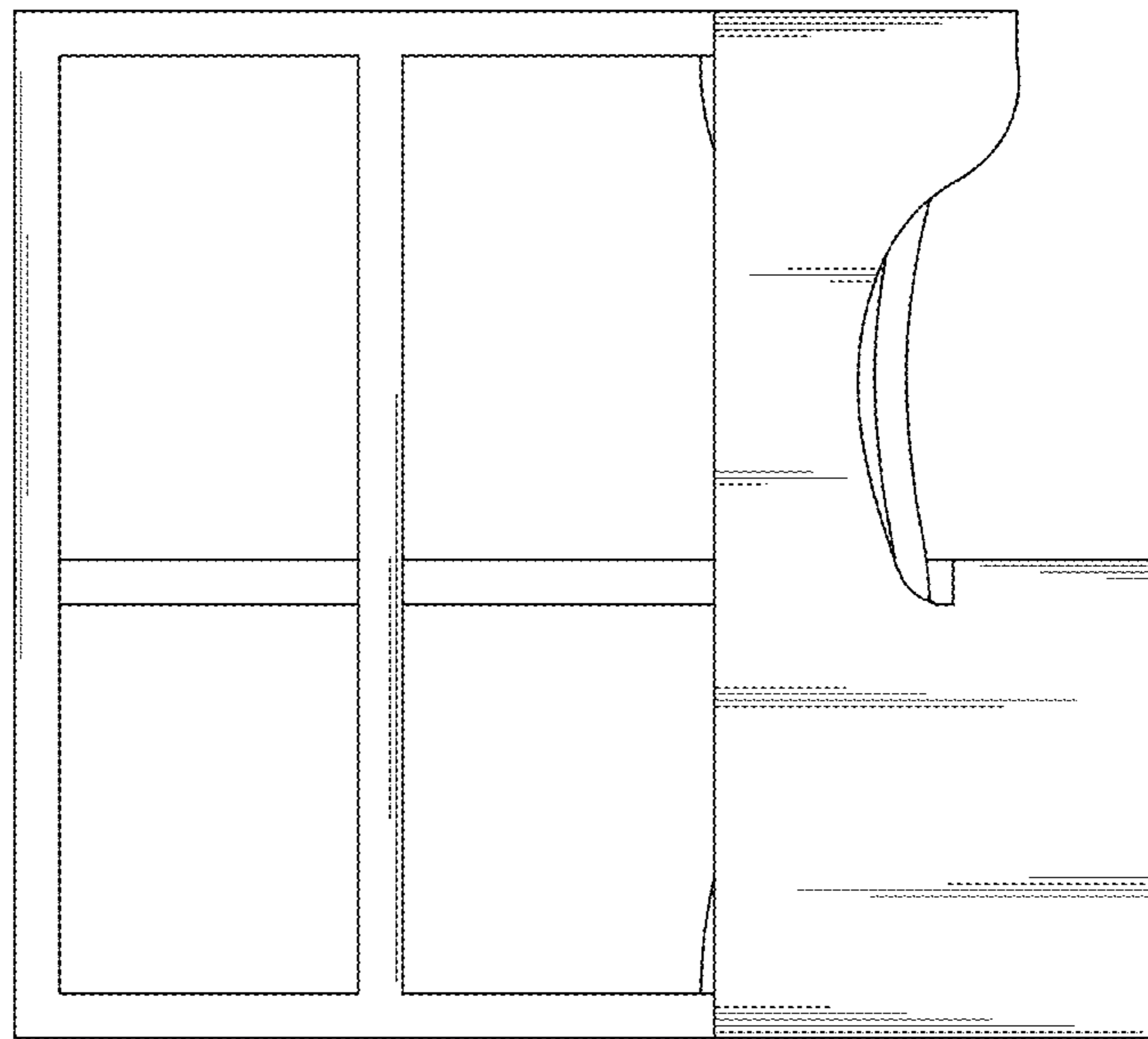


FIG. 4

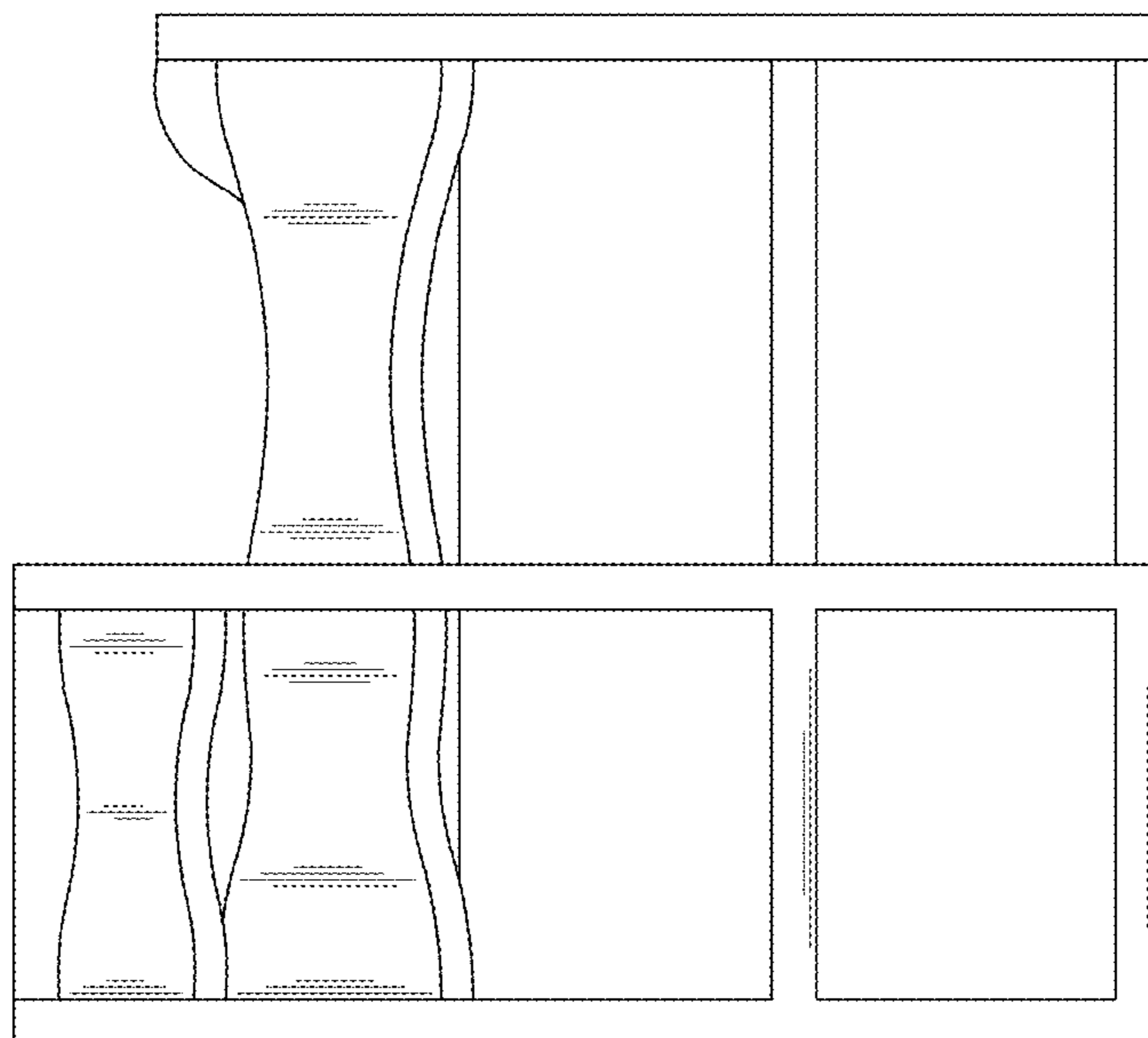


FIG. 5

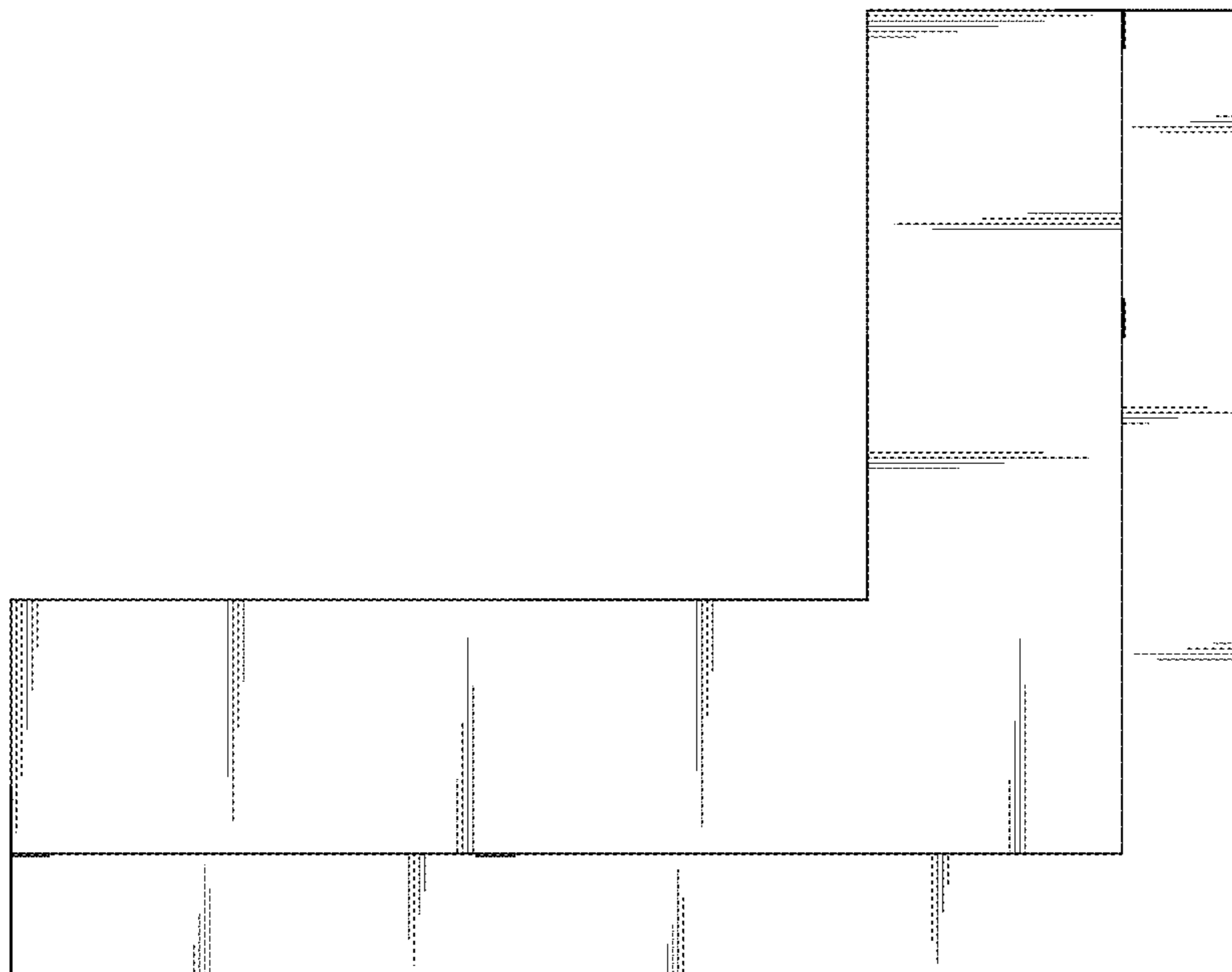


FIG. 6

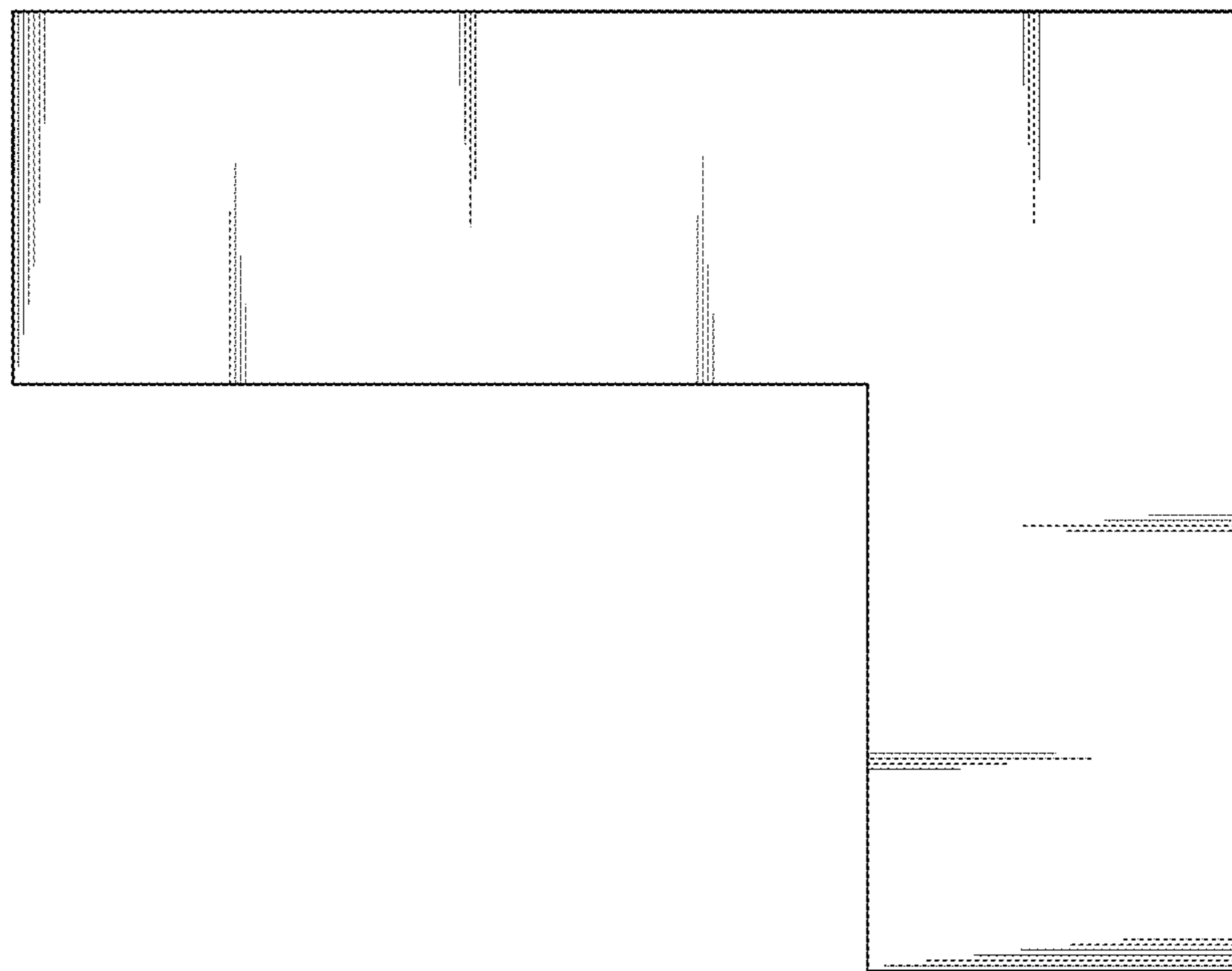


FIG. 7

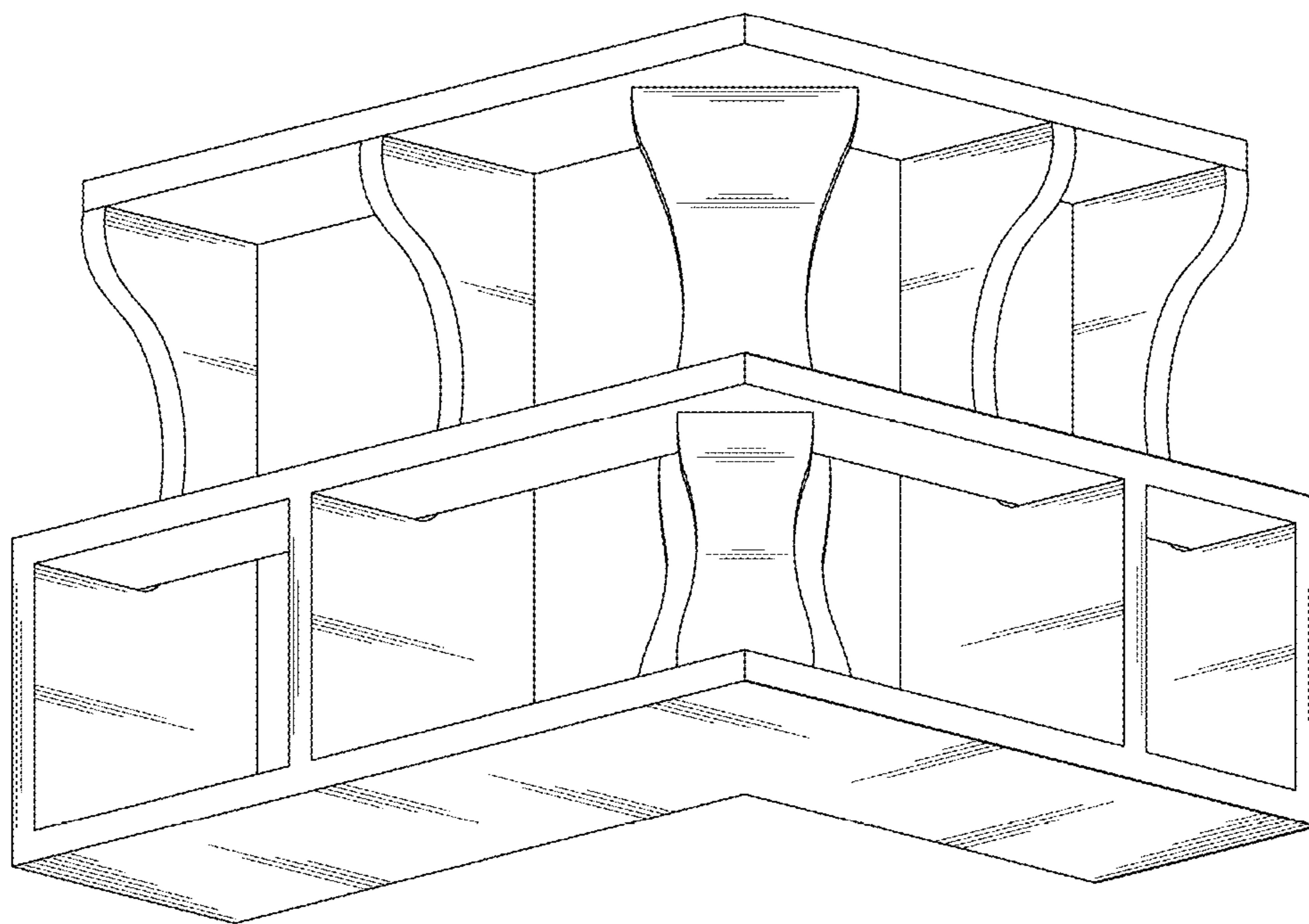


FIG. 8

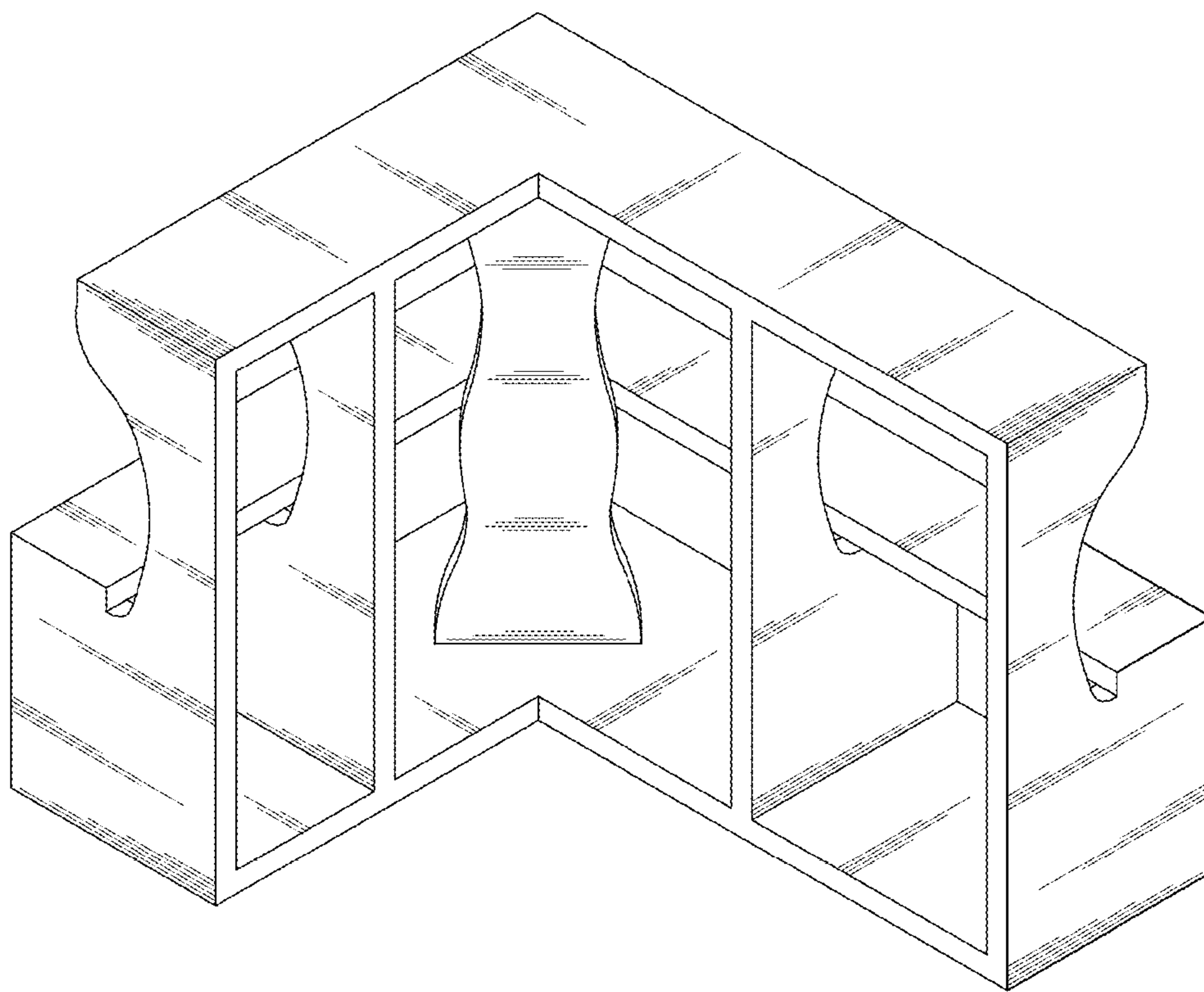


FIG. 9