



US00D771396S

(12) **United States Design Patent** (10) **Patent No.:** **US D771,396 S**  
**Mandon et al.** (45) **Date of Patent:** **\*\* Nov. 15, 2016**

(54) **CHAIR**  
(71) Applicant: **Apple Inc.**, Cupertino, CA (US)  
(72) Inventors: **Kully Kraig Mandon**, San Francisco, CA (US); **Andrew Charles Deffenbaugh**, San Francisco, CA (US); **Stefan Behling**, London (GB)  
(73) Assignee: **Apple Inc.**, Cupertino, CA (US)  
(\*\*) Term: **15 Years**  
(21) Appl. No.: **29/537,127**  
(22) Filed: **Aug. 21, 2015**  
(51) **LOC (10) Cl.** ..... **06-01**  
(52) **U.S. Cl.**  
USPC ..... **D6/349**  
(58) **Field of Classification Search**  
USPC ..... D6/334-335, 341, 349-353, 370, 371, D6/691, 691.1, 691.4, 692, 692.1, 692.4, D6/694, 694.2, 708, 716, 716.1, 716.6; D21/686, 687, 690, 695  
CPC ..... A47C 9/00; A47C 9/02; A47C 9/002; A47C 9/007; A47C 9/025; A47C 9/10; A47C 11/00; A47C 12/00; A47C 13/00; A47C 5/02; A47C 5/04; A47C 5/043; A47C 7/00-7/006; A47C 7/02; A47C 16/02-16/04; A47B 3/00; A47B 3/02; A47B 3/04; A47B 3/12; E04F 11/04-11/09  
See application file for complete search history.

D406,964 S 3/1999 Lewis  
D427,814 S 7/2000 Black  
D427,815 S 7/2000 Lewis  
D465,936 S 11/2002 Arnold  
D466,337 S 12/2002 Feng  
D509,548 S \* 9/2005 Heitzman ..... D21/662  
D530,548 S 10/2006 McCurry  
D539,569 S 4/2007 Lewis  
D583,577 S 12/2008 Wicha  
D587,475 S \* 3/2009 Ren ..... D6/349  
D591,090 S 4/2009 Judkins  
D599,570 S 9/2009 Skalka  
7,588,522 B2 \* 9/2009 Heitzman ..... A47C 4/54  
297/195.11  
D611,735 S 3/2010 Stukenberg  
8,056,976 B1 \* 11/2011 Polk ..... A47C 3/029  
297/258.1  
D651,651 S 1/2012 Beukema et al.  
D659,415 S 5/2012 Soto et al.

(Continued)

**OTHER PUBLICATIONS**

U.S. Appl. No. 29/525,869, filed May 4, 2015; Heirakuji et al.

*Primary Examiner* — Vy Koenig  
(74) *Attorney, Agent, or Firm* — Sterne, Kessler, Goldstein & Fox P.L.L.C.

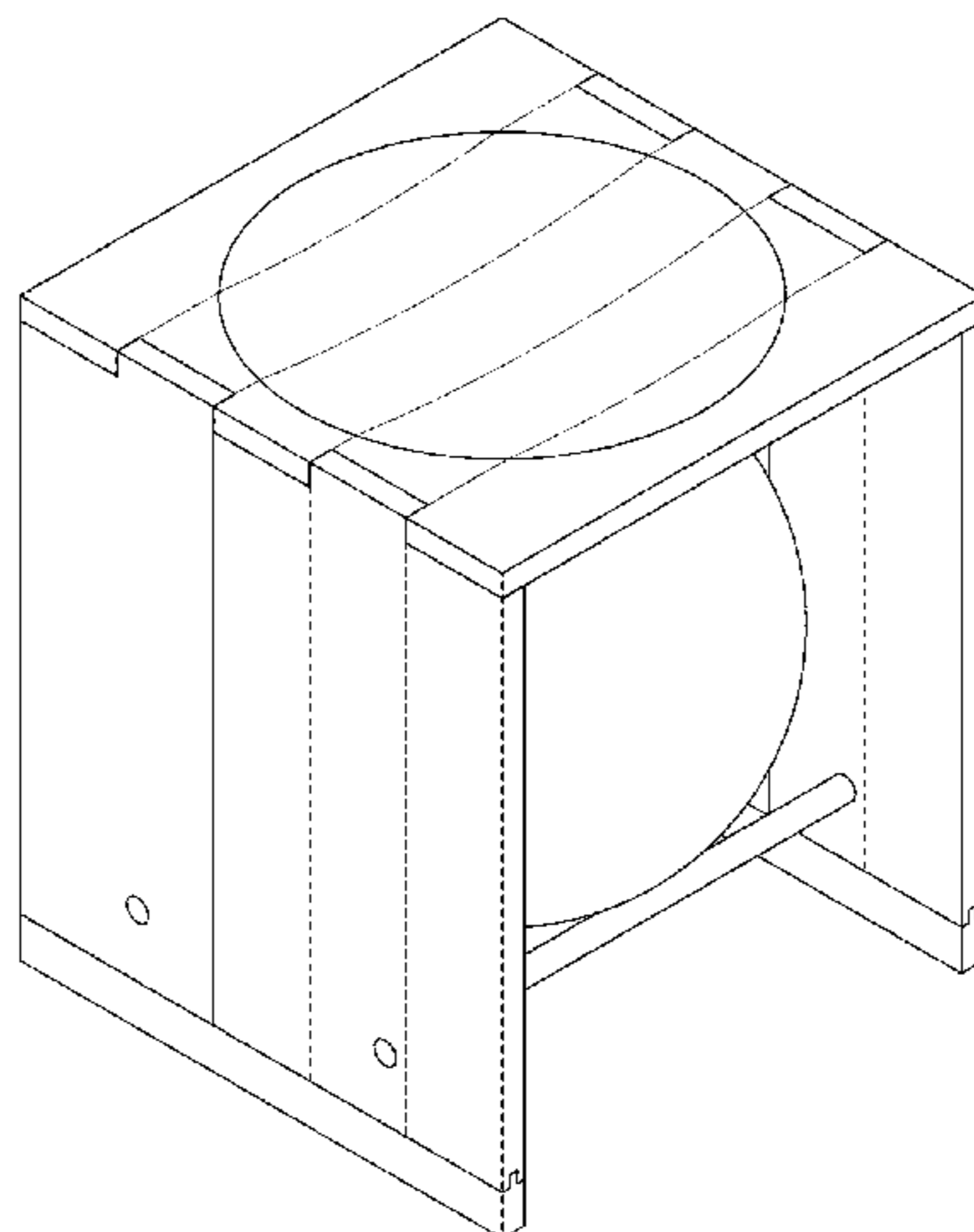
(57) **CLAIM**  
The ornamental design for a chair, as shown and described.

**DESCRIPTION**

FIG. 1 is a top perspective view of a chair showing our new design;  
FIG. 2 is a front view thereof;  
FIG. 3 is a rear view thereof;  
FIG. 4 is a right side view thereof;  
FIG. 5 is a left side view thereof;  
FIG. 6 is a top view thereof;  
FIG. 7 is a bottom view thereof; and,  
FIG. 8 is a cross-sectional view taken along line 8-8 in FIG. 6.

**1 Claim, 8 Drawing Sheets**

(56) **References Cited**  
U.S. PATENT DOCUMENTS  
D231,887 S \* 6/1974 Kephart ..... D30/133  
D232,877 S \* 9/1974 Kephart ..... D6/686  
D239,684 S \* 4/1976 Robertson ..... D6/691.1  
D248,345 S 7/1978 Stoddard  
D250,498 S \* 12/1978 Hosford ..... D6/353  
D303,190 S 9/1989 Suttles  
D351,508 S \* 10/1994 Bonazza ..... D6/336  
D380,318 S \* 7/1997 Horvath ..... D6/688.1



(56)

**References Cited**

U.S. PATENT DOCUMENTS

8,469,453 B1 *	6/2013	Larocque .....	A47C 16/02 297/423.41
D693,610 S	11/2013	Denby et al.	
D694,557 S	12/2013	Rodgers	
D705,556 S	5/2014	Udagawa	
D713,190 S	9/2014	Behar	
D713,658 S	9/2014	Tio et al.	
D717,554 S	11/2014	Kapka	
D727,644 S	4/2015	Sorel	
D728,281 S	5/2015	Heirakuji et al.	
D730,071 S	5/2015	Sorel	
D734,631 S	7/2015	Velez	
D736,531 S *	8/2015	Lan .....	D6/349
2002/0177509 A1 *	11/2002	Rodgers .....	A63B 23/0458 482/53
2008/0265631 A1 *	10/2008	Quicoy .....	A47C 16/02 297/42

\* cited by examiner

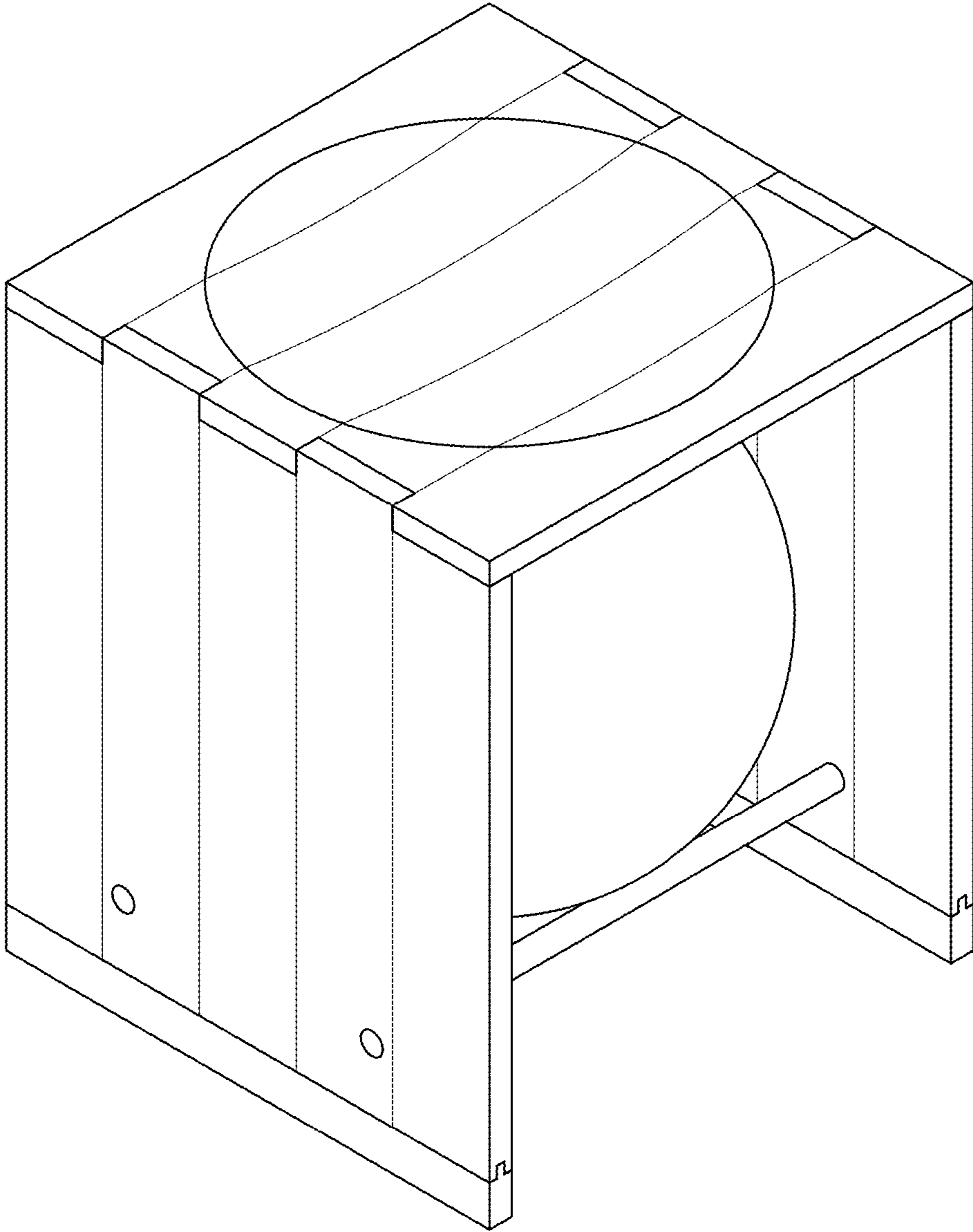


FIG. 1

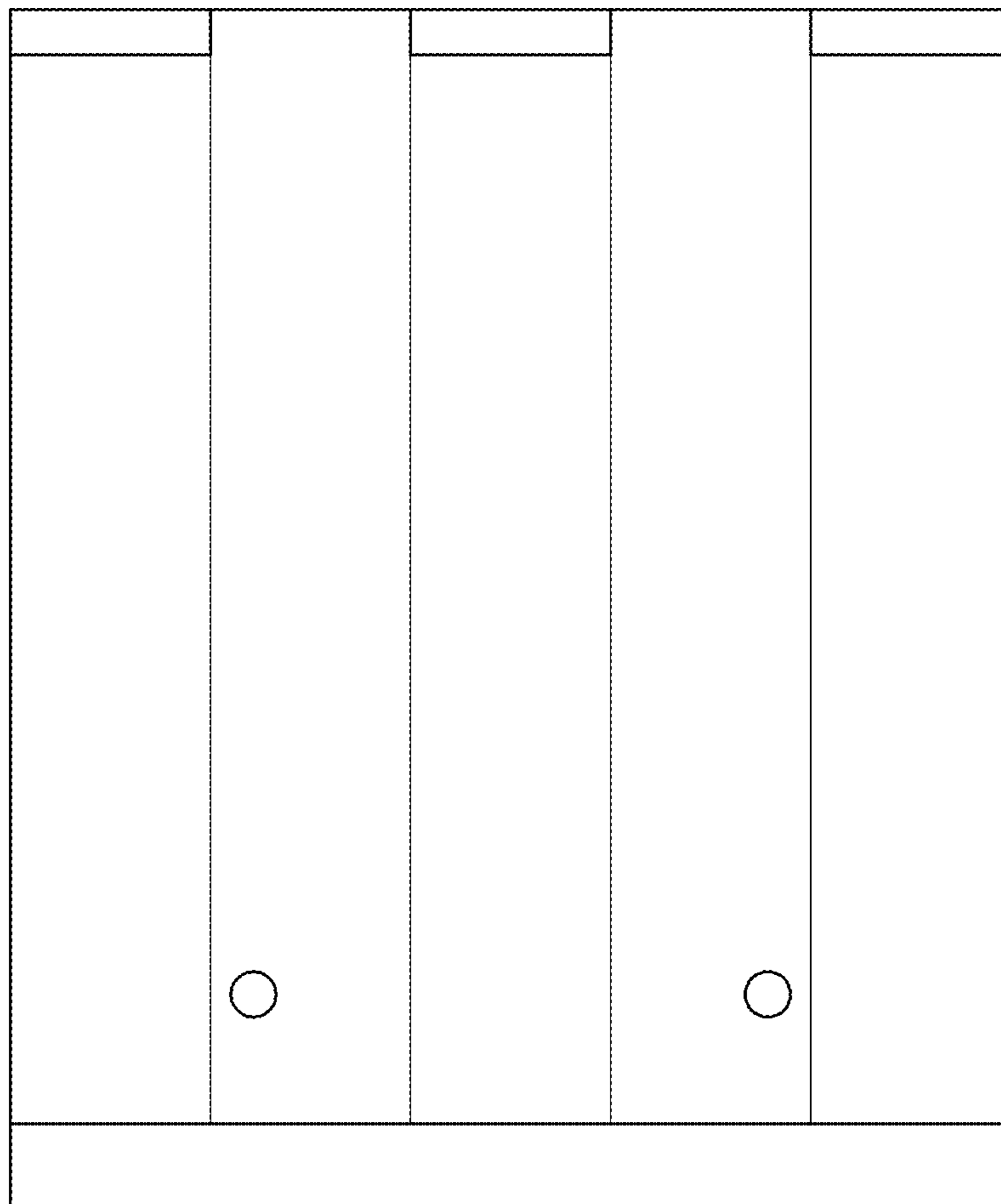
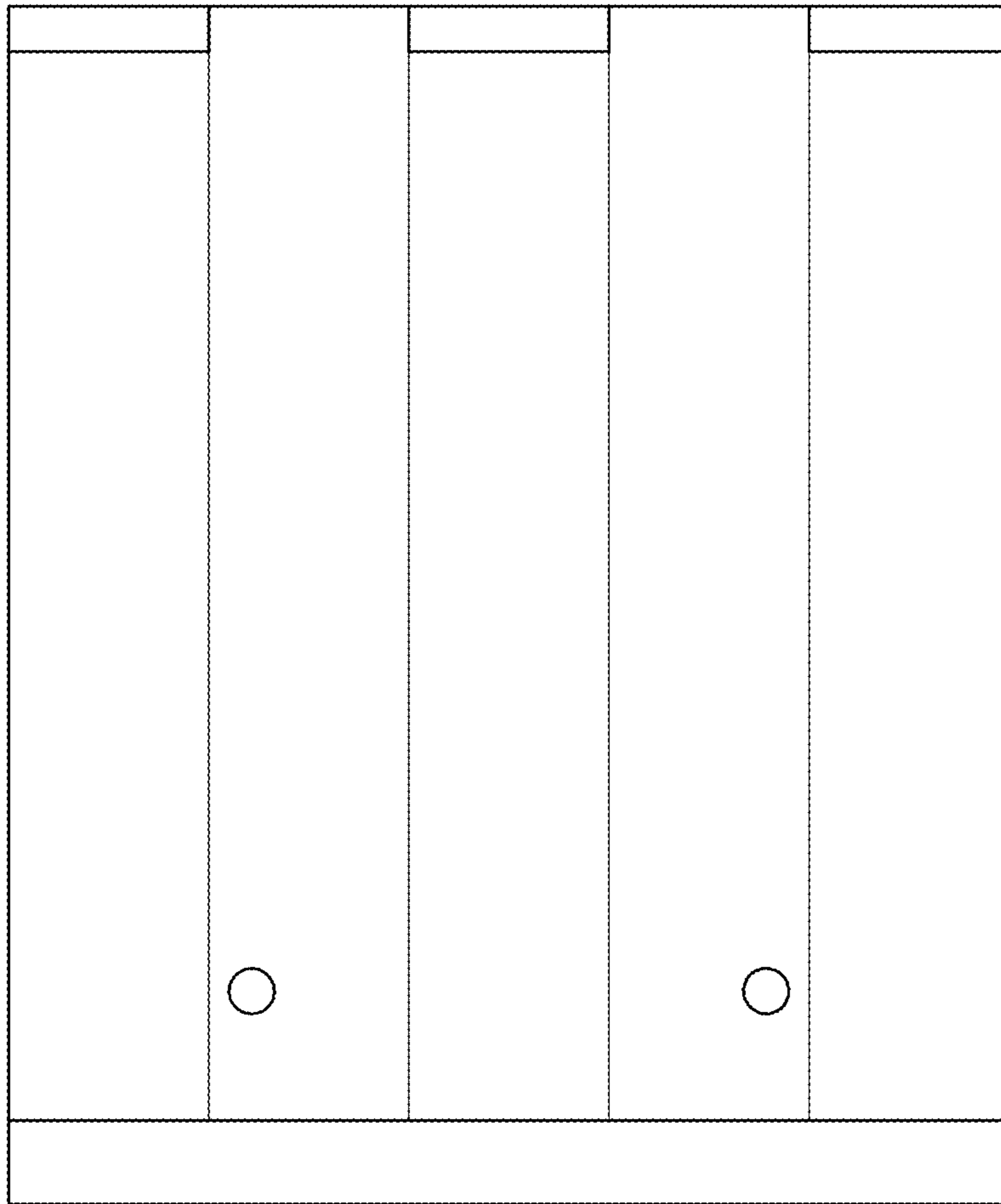
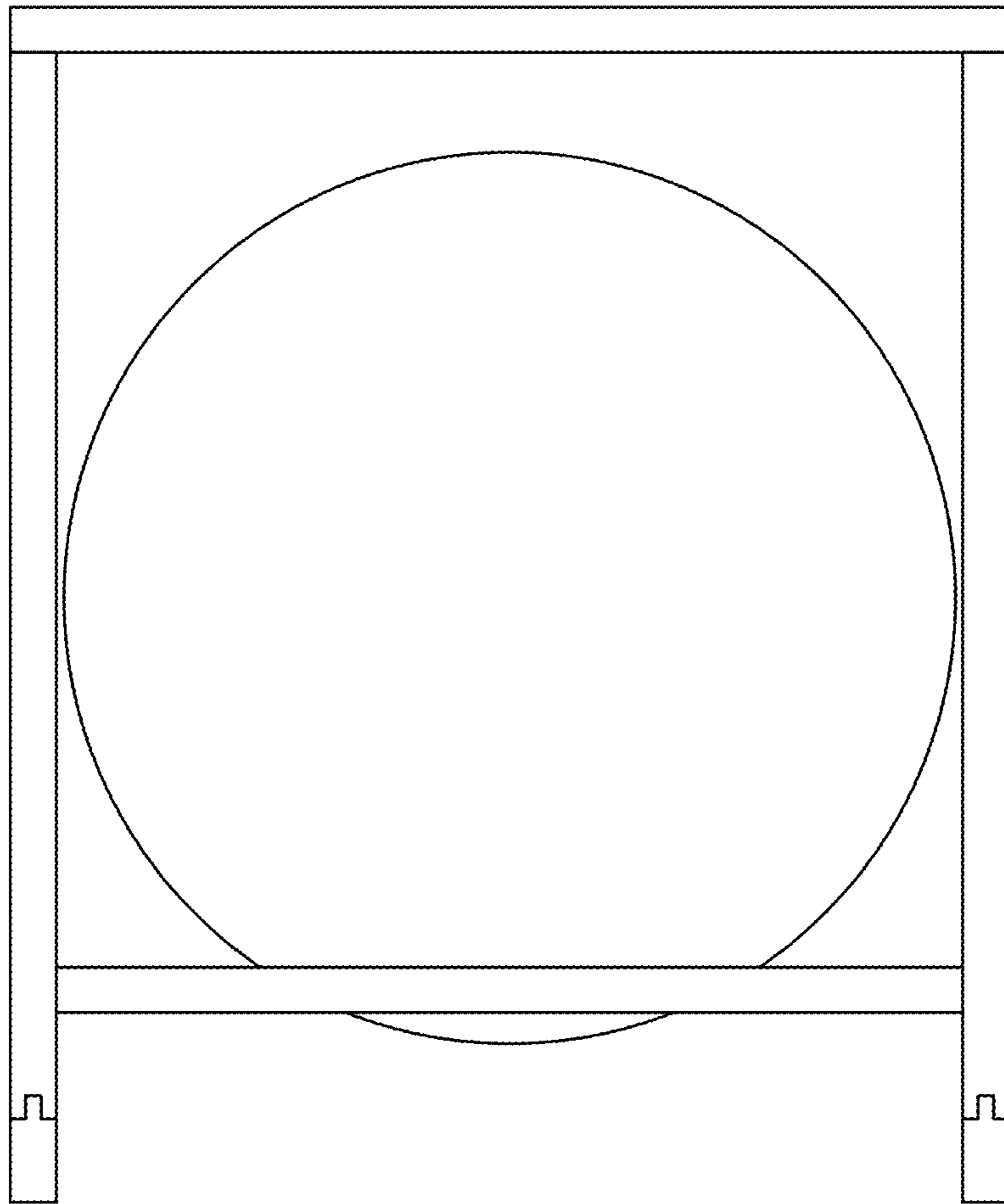


FIG. 2



**FIG. 3**



**FIG. 4**

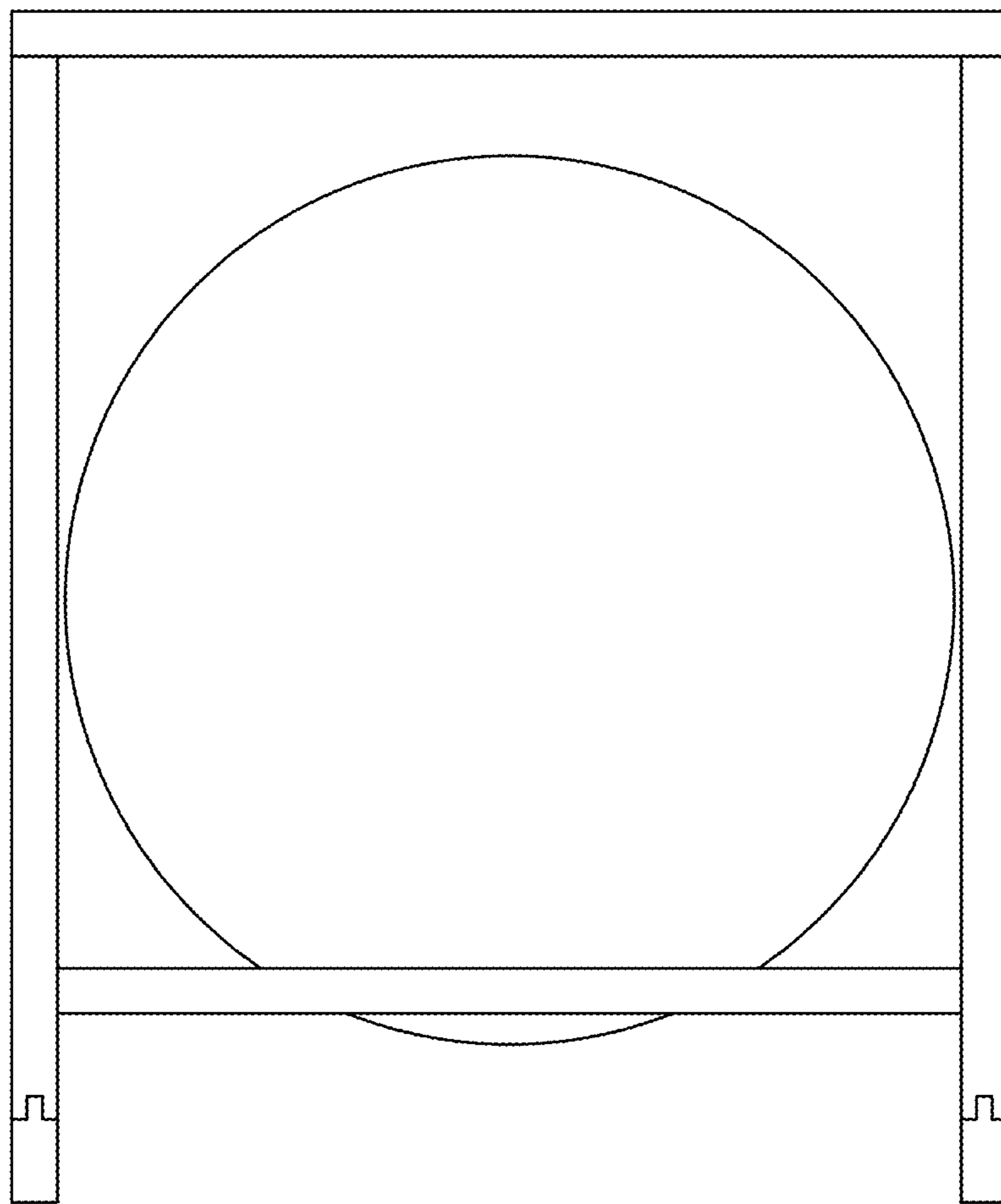


FIG. 5

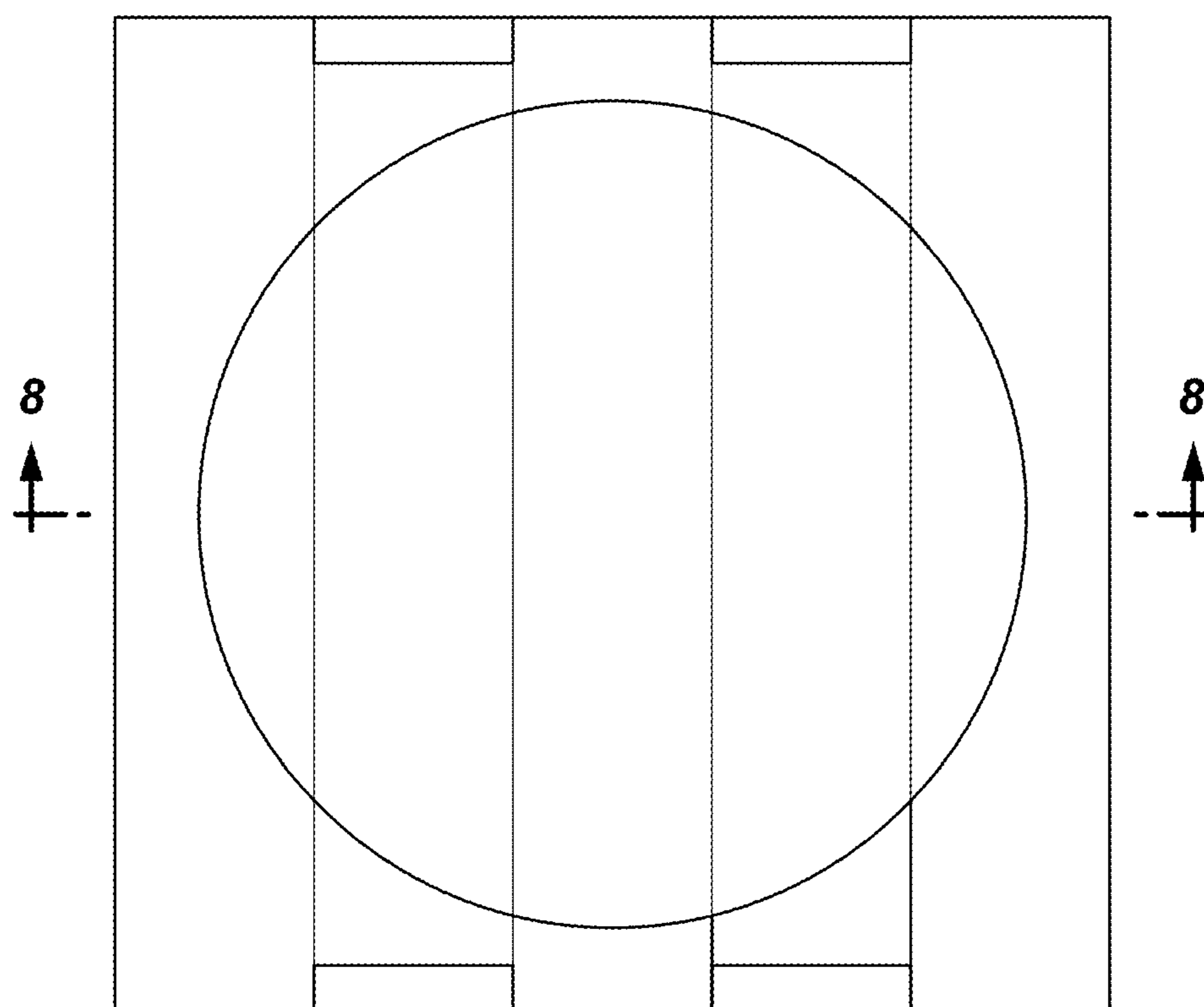
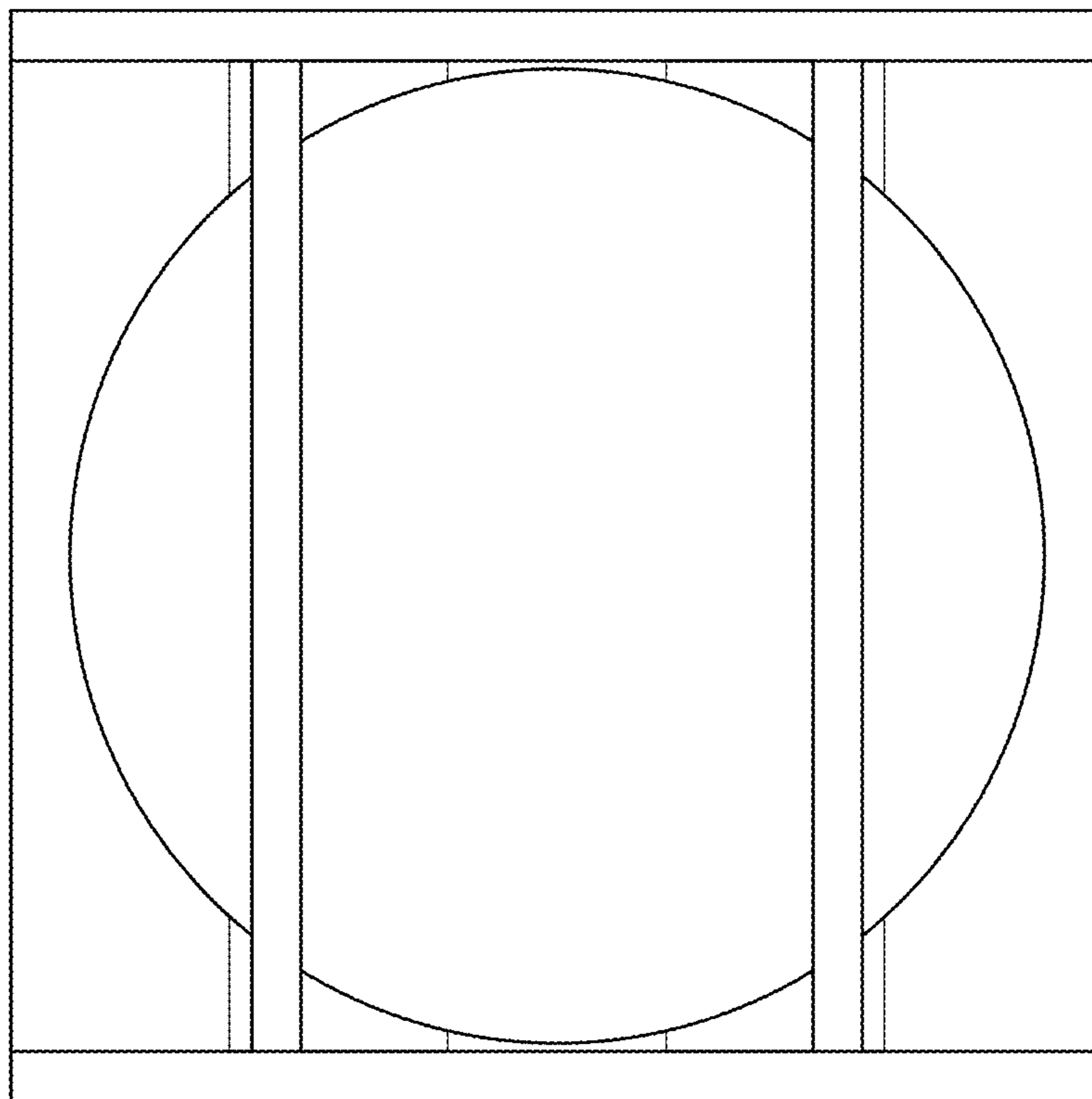
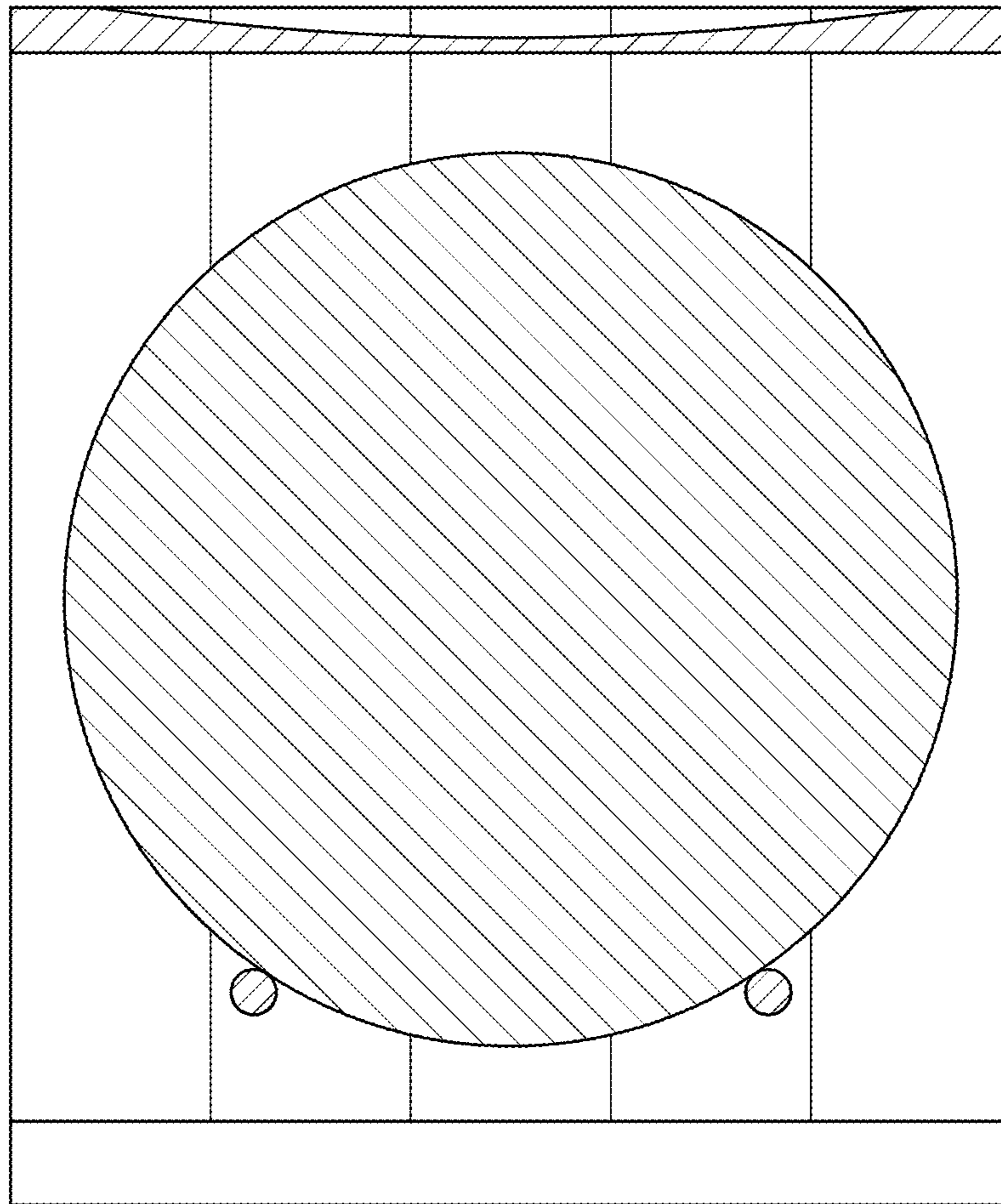


FIG. 6





**FIG. 7**



**FIG. 8**