



US00D771388S

(12) **United States Design Patent** (10) **Patent No.:** **US D771,388 S**  
**Since** (45) **Date of Patent:** **\*\* Nov. 15, 2016**

(54) **TOOTHBRUSH**  
(71) Applicant: **Starmoon Ltd.**, Kwun Tong (HK)  
(72) Inventor: **Guillaume Jean Since**, Kwun Tong (HK)  
(73) Assignee: **Starmoon Ltd.**, Kwun Tong (HK)  
(\*\*) Term: **15 Years**

D440,766 S 4/2001 Hartwein et al.  
D455,556 S \* 4/2002 Kling ..... D4/101  
D458,028 S 6/2002 McCurrach  
D500,208 S 12/2004 Vu  
D508,776 S 8/2005 Kling et al.  
D523,809 S 6/2006 Roth et al.  
7,157,816 B2 1/2007 Pilcher et al.  
D549,964 S 9/2007 Roth et al.  
7,269,873 B2 9/2007 Brewer et al.  
D563,674 S 3/2008 Beedham  
D569,623 S \* 5/2008 Beedham ..... D4/101

(Continued)

(21) Appl. No.: **29/531,683**  
(22) Filed: **Jun. 29, 2015**

*Primary Examiner* — Catheri Oliver-Garcia  
*Assistant Examiner* — Rebekah A Caruso  
(74) *Attorney, Agent, or Firm* — Harness, Dickey & Pierce, P.L.C.

(30) **Foreign Application Priority Data**

Apr. 14, 2015 (EM) ..... 002680611

(51) **LOC (10) Cl.** ..... **04-02**

(52) **U.S. Cl.**  
USPC ..... **D4/101**

(58) **Field of Classification Search**  
USPC ..... D4/100–102, 104–118, 124–125,  
D4/127–132, 136, 138

CPC .... A46B 5/00; A46B 5/0004; A46B 5/0008;  
A46B 5/0012; A46B 5/002; A46B 5/0095;  
A46B 9/04; A46B 11/0006; A46B  
2200/1066; A61B 17/24; A61C 17/16  
See application file for complete search history.

(56) **References Cited**

**U.S. PATENT DOCUMENTS**

5,138,733 A 8/1992 Bock  
5,189,751 A 3/1993 Giuliani et al.  
5,369,831 A 12/1994 Bock  
5,378,153 A 1/1995 Giuliani et al.  
5,448,792 A 9/1995 Wiedemann et al.  
5,546,624 A 8/1996 Bock  
5,618,275 A 4/1997 Bock  
D396,957 S 8/1998 Allende  
5,987,681 A 11/1999 Hahn et al.  
D436,254 S 1/2001 Kling et al.

(57) **CLAIM**

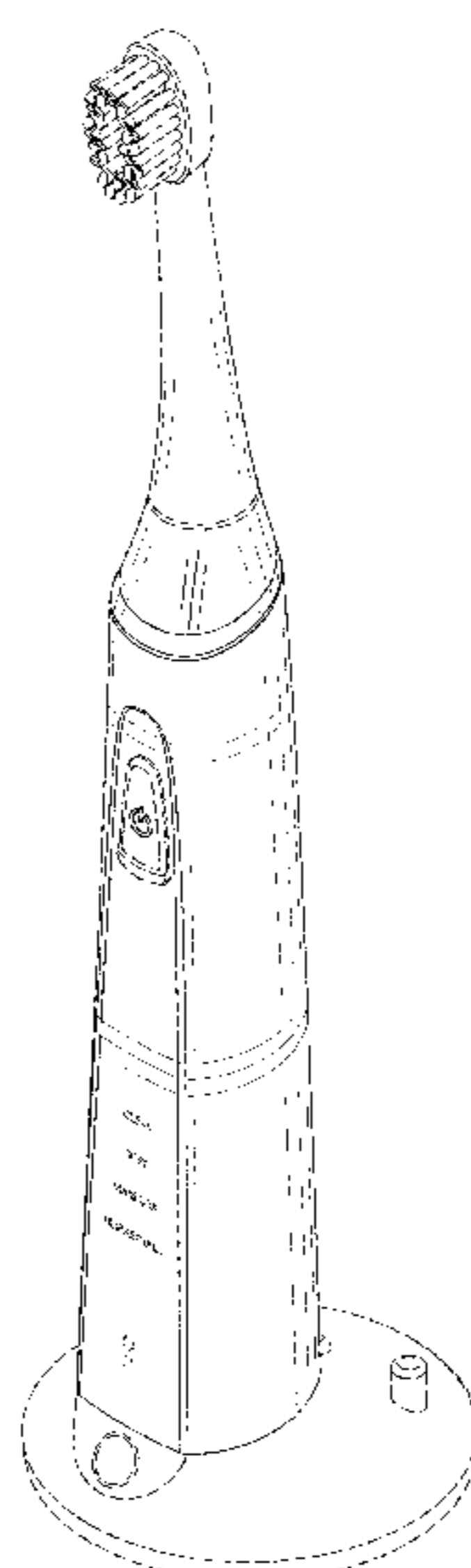
The ornamental design for a toothbrush, as shown and described.

**DESCRIPTION**

FIG. 1 is a perspective view of the front and left sides of a toothbrush embodying the new design; FIG. 2 is a front view of the toothbrush thereof; FIG. 3 is a rear view of the toothbrush thereof; FIG. 4 is a top plan view of the toothbrush thereof; FIG. 5 is a bottom view of the toothbrush thereof; FIG. 6 is a right side view of the toothbrush thereof; FIG. 7 is a left side view of the toothbrush thereof; and, FIG. 8 is a view similar to that of FIG. 4, but depicting a removable stand for the toothbrush that is depicted in broken lines.

The broken lines showing button features and the head of the toothbrush in FIGS. 1 through 8 illustrate portions of the toothbrush that form no part of the claimed design. The broken lines showing a removable stand for the toothbrush in FIGS. 1 through 3, 7 and 8 illustrate environmental structure that forms no part of the claimed design.

**1 Claim, 3 Drawing Sheets**



(56)

References Cited

U.S. PATENT DOCUMENTS

7,386,906 B2	6/2008	Roth et al.	
D580,173 S *	11/2008	Beedham .....	D4/101
7,448,109 B2	11/2008	Brewer et al.	
D586,125 S	2/2009	Winkler et al.	
D589,255 S	3/2009	Taylor et al.	
D589,256 S	3/2009	Taylor et al.	
D599,555 S *	9/2009	Oliphant .....	D4/101
D607,646 S *	1/2010	Ino .....	D4/101
7,786,626 B2	8/2010	Reishus et al.	
7,789,092 B2	9/2010	Akridge et al.	
7,849,548 B2	12/2010	Bock	
D634,268 S	3/2011	Reishus et al.	
D634,707 S	3/2011	Hosler et al.	
D648,941 S *	11/2011	Leung .....	D4/101
D657,954 S	4/2012	Gebski	
D683,139 S	5/2013	Chikos et al.	
D696,517 S *	12/2013	Gebski .....	D4/101
D719,737 S *	12/2014	Adriaenssen .....	D4/101
8,931,129 B2	1/2015	Emekci	
D745,782 S *	12/2015	Booth .....	D4/108
D749,852 S *	2/2016	Since .....	D4/101
D751,821 S *	3/2016	Since .....	D4/101
2006/0000036 A1 *	1/2006	Eliav .....	A46B 15/0002 15/22.1
2007/0011836 A1	1/2007	Brewer et al.	
2007/0079455 A1	4/2007	Brewer et al.	
2007/0157404 A1	7/2007	Brewer et al.	
2009/0211042 A1	8/2009	Bock	
2013/0115571 A1	5/2013	Emekci	
2014/0007361 A1	1/2014	Nazaroff et al.	
2014/0259474 A1 *	9/2014	Sokol .....	A61C 17/3445 15/22.2
2015/0182240 A1	7/2015	Wawiluk et al.	

\* cited by examiner

Fig-1

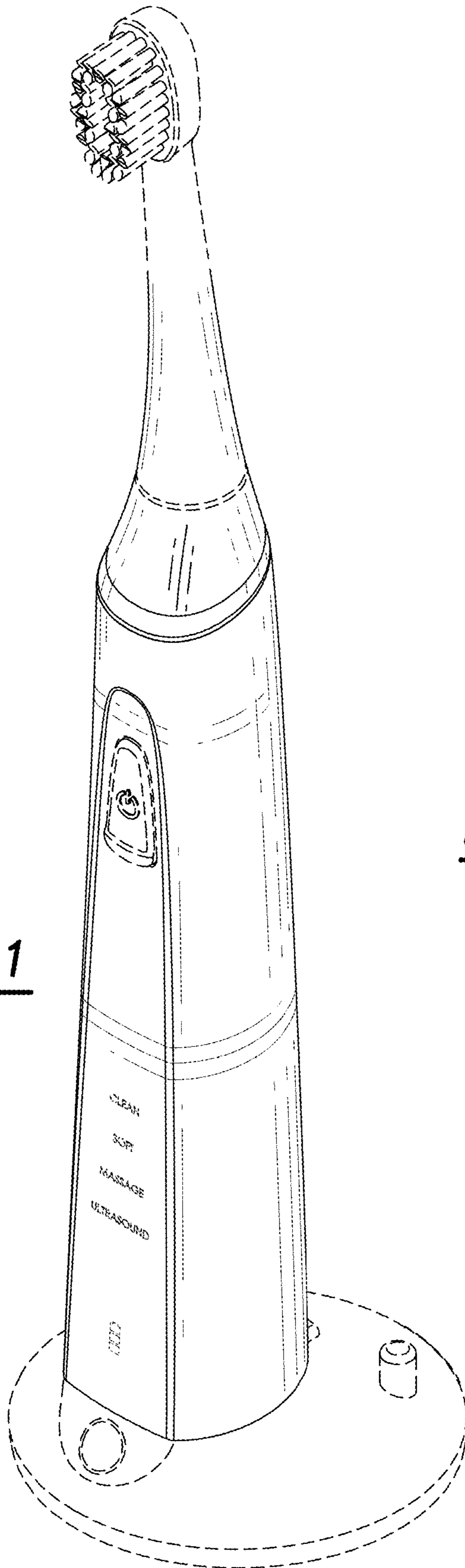
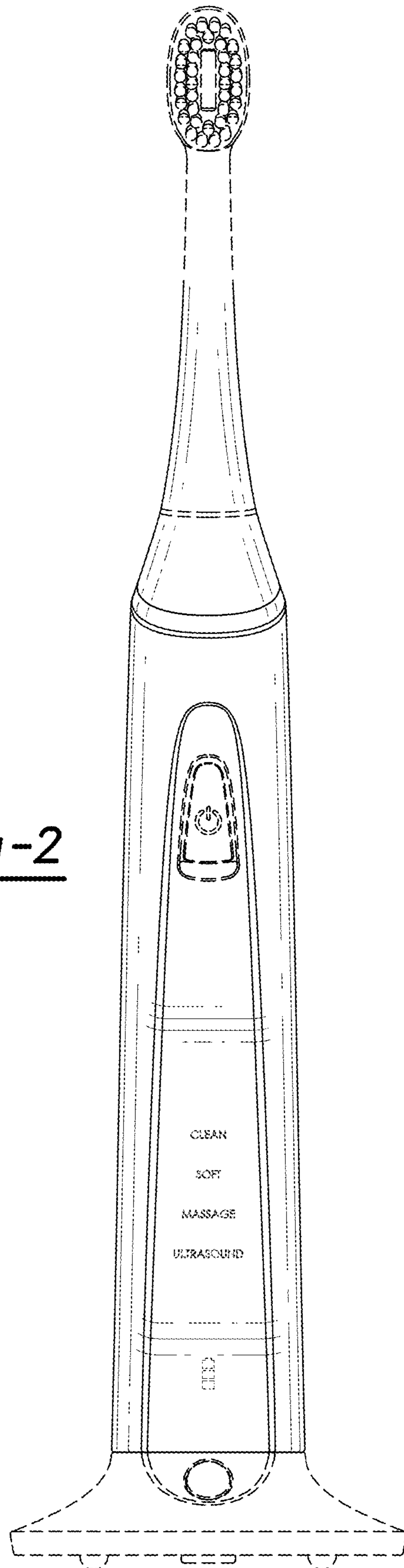


Fig-2



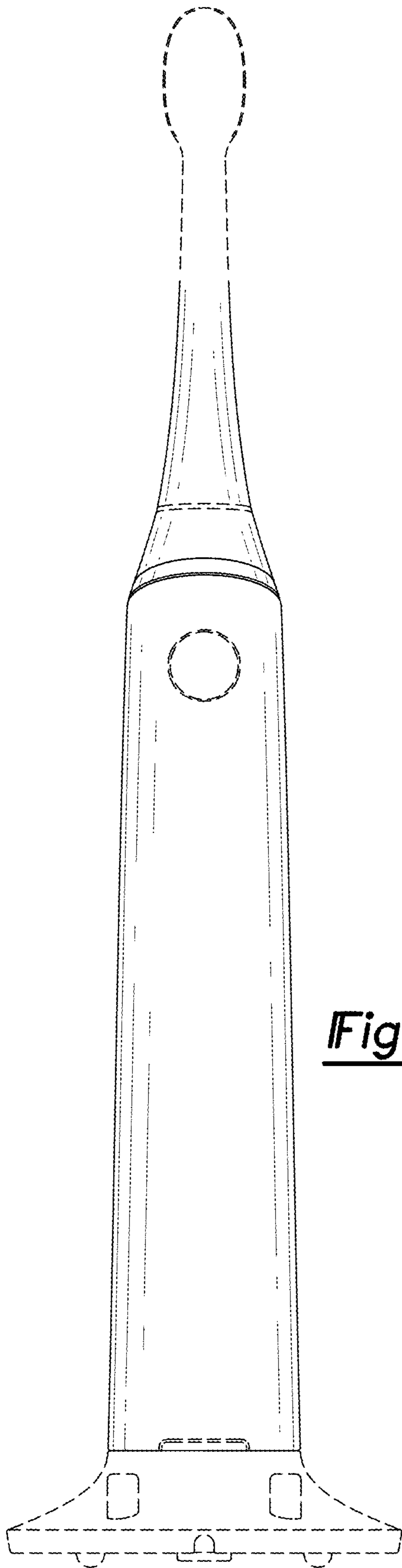


Fig-3

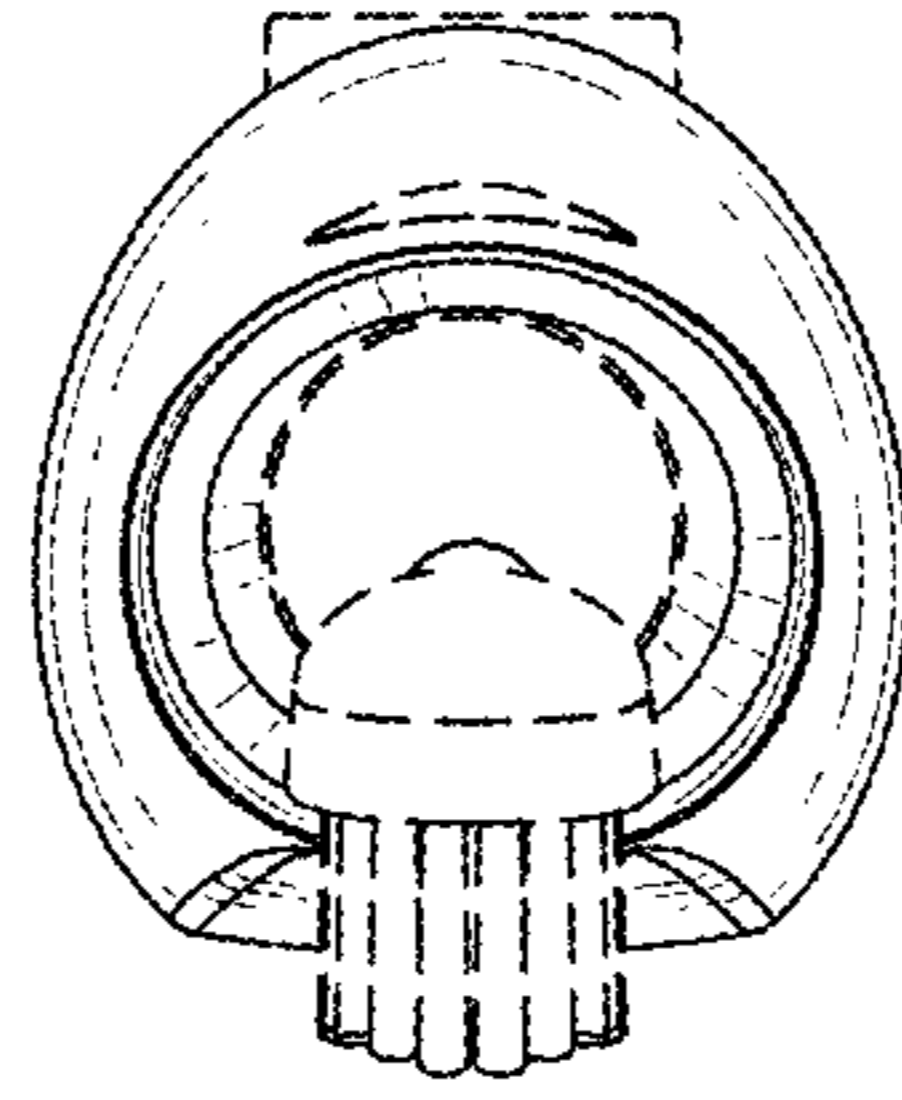


Fig-4

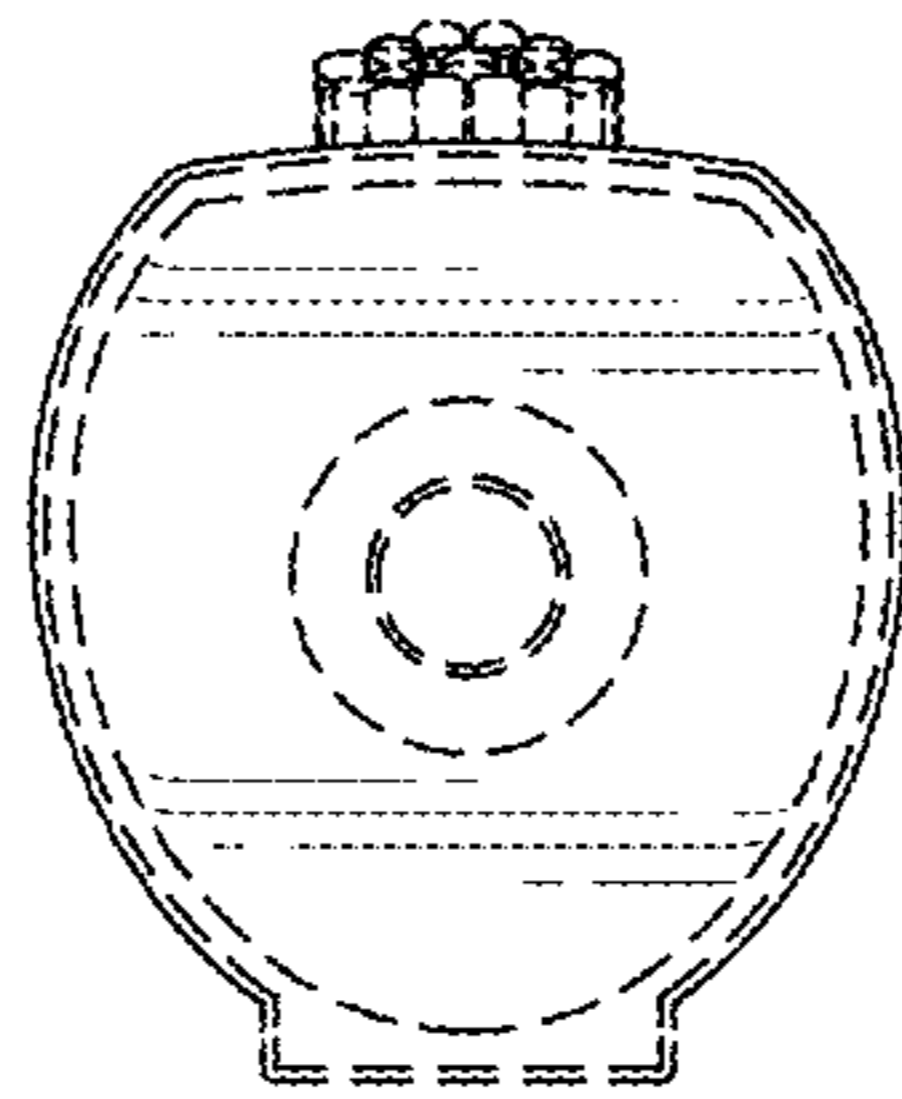


Fig-5

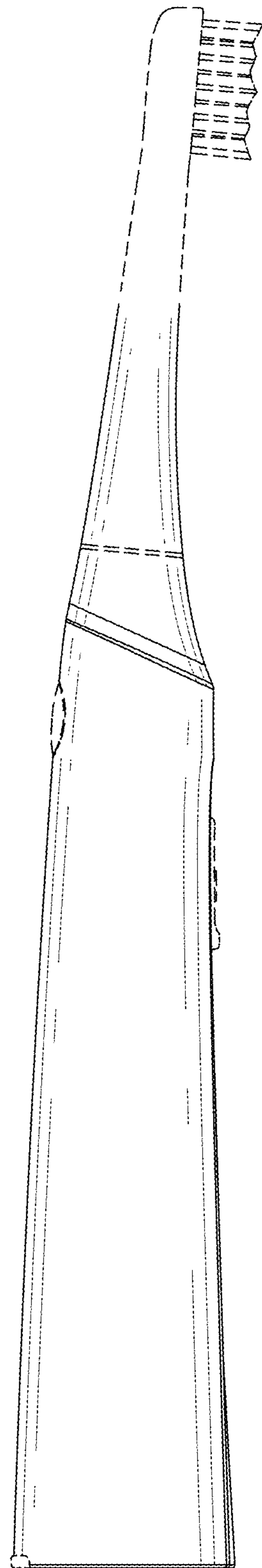


Fig-6

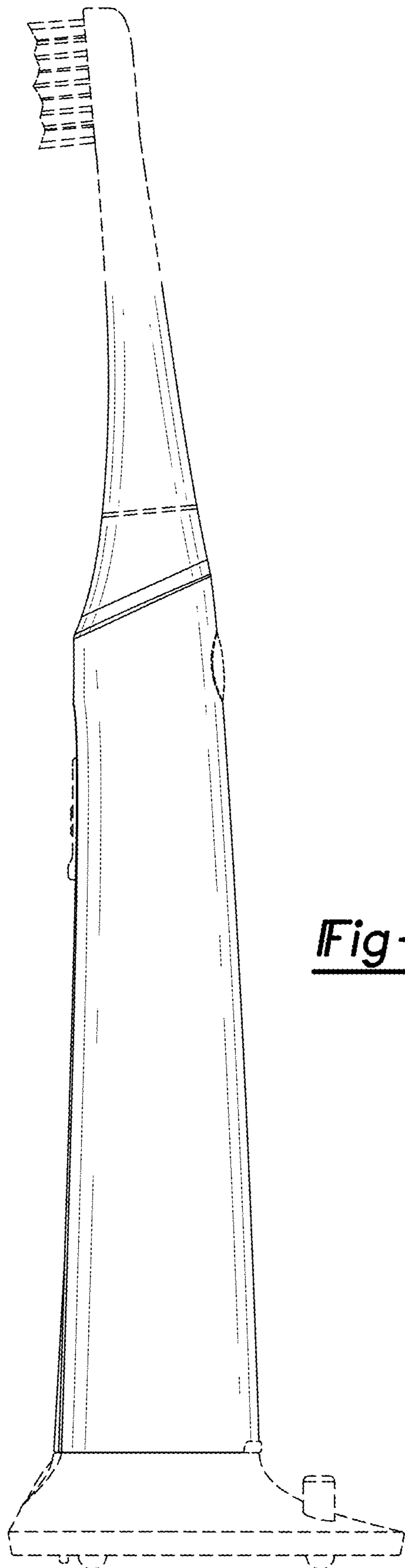


Fig-7

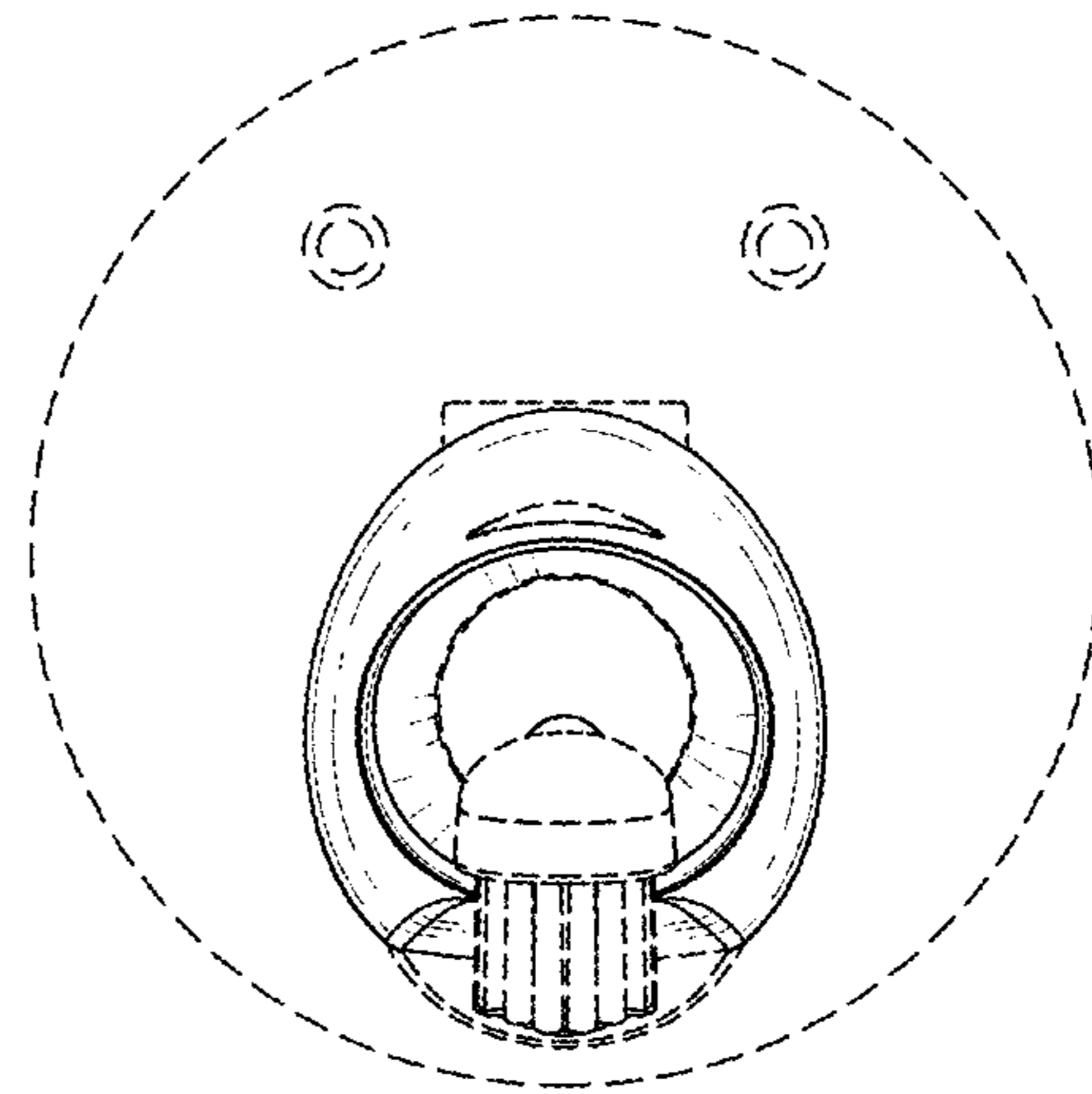


Fig-8