



US00D771387S

(12) **United States Design Patent**
Gonzales et al.

(10) **Patent No.:** **US D771,387 S**

(45) **Date of Patent:** **** Nov. 15, 2016**

(54) **TOOL BOX WITH DRAWER**

(71) Applicant: **Stanley Black & Decker, Inc.**, New Britain, CT (US)

(72) Inventors: **Terry L. Gonzales**, Middletown, CT (US); **John C. Murray**, Canton, CT (US); **Megan E. McNeill**, Norwalk, CT (US); **Chih-Hung Chen, I**, Taichung (TW); **Tolga Caglar**, Middletown, CT (US); **Jin Chi Huang**, Taichung (TW); **Oaty A. Frye, Jr.**, Waterford, CT (US)

(73) Assignee: **Stanley Black & Decker, Inc.**, Towson, MD (US)

(**) Term: **14 Years**

(21) Appl. No.: **29/502,199**

(22) Filed: **Sep. 12, 2014**

(51) **LOC (10) Cl.** **03-01**

(52) **U.S. Cl.**
USPC **D3/318**

(58) **Field of Classification Search**
USPC D3/318, 297, 309, 273, 276, 279, 291,
D3/295, 296, 271.12, 905, 201; 190/18 A;
220/694, 752, 771, 774
CPC B25H 3/02; Y10T 16/44; Y10T 16/476;
Y10T 16/498; Y10T 16/00; Y10T 16/381;
Y10T 16/384; Y10T 24/44872
See application file for complete search history.

(56) **References Cited**

U.S. PATENT DOCUMENTS

3,305,076 A * 2/1967 Fleenor B25H 3/02
220/532
4,662,515 A * 5/1987 Newby, Sr. B25H 3/02
206/349

D385,111 S * 10/1997 Dickinson D3/304
D517,805 S * 3/2006 Hosking D3/291
D526,782 S * 8/2006 Hosking D3/296
D684,772 S * 6/2013 Aglassinger D3/318
D710,102 S * 8/2014 Horovitz D3/281
D731,183 S * 6/2015 Kuhls D3/282
2013/0075292 A1 * 3/2013 Hsu B25H 3/02
206/349

* cited by examiner

Primary Examiner — Rosemary K Tarcza

Assistant Examiner — Christy Nemeth

(74) *Attorney, Agent, or Firm* — Caeden Drayton; Adan Ayala

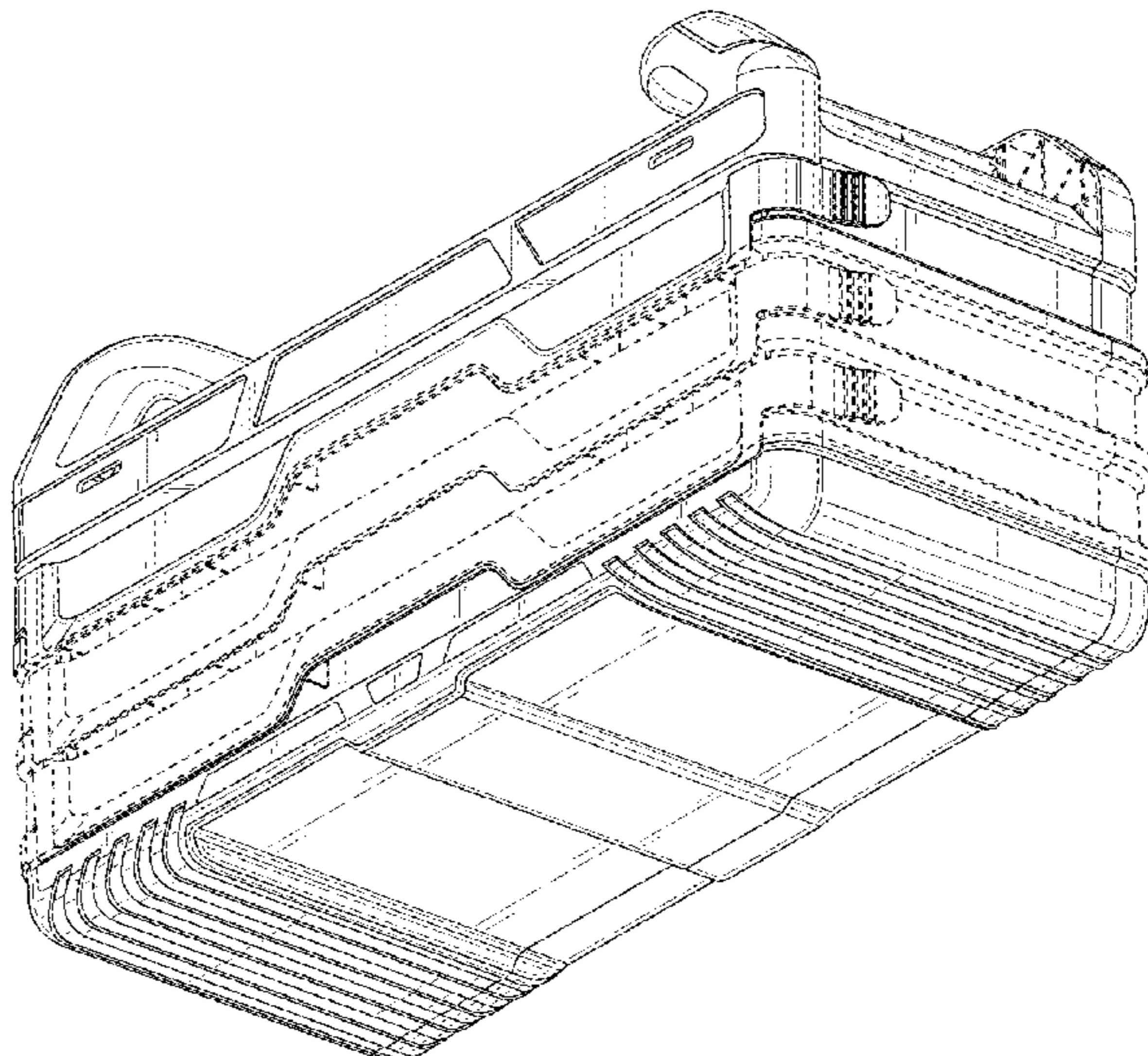
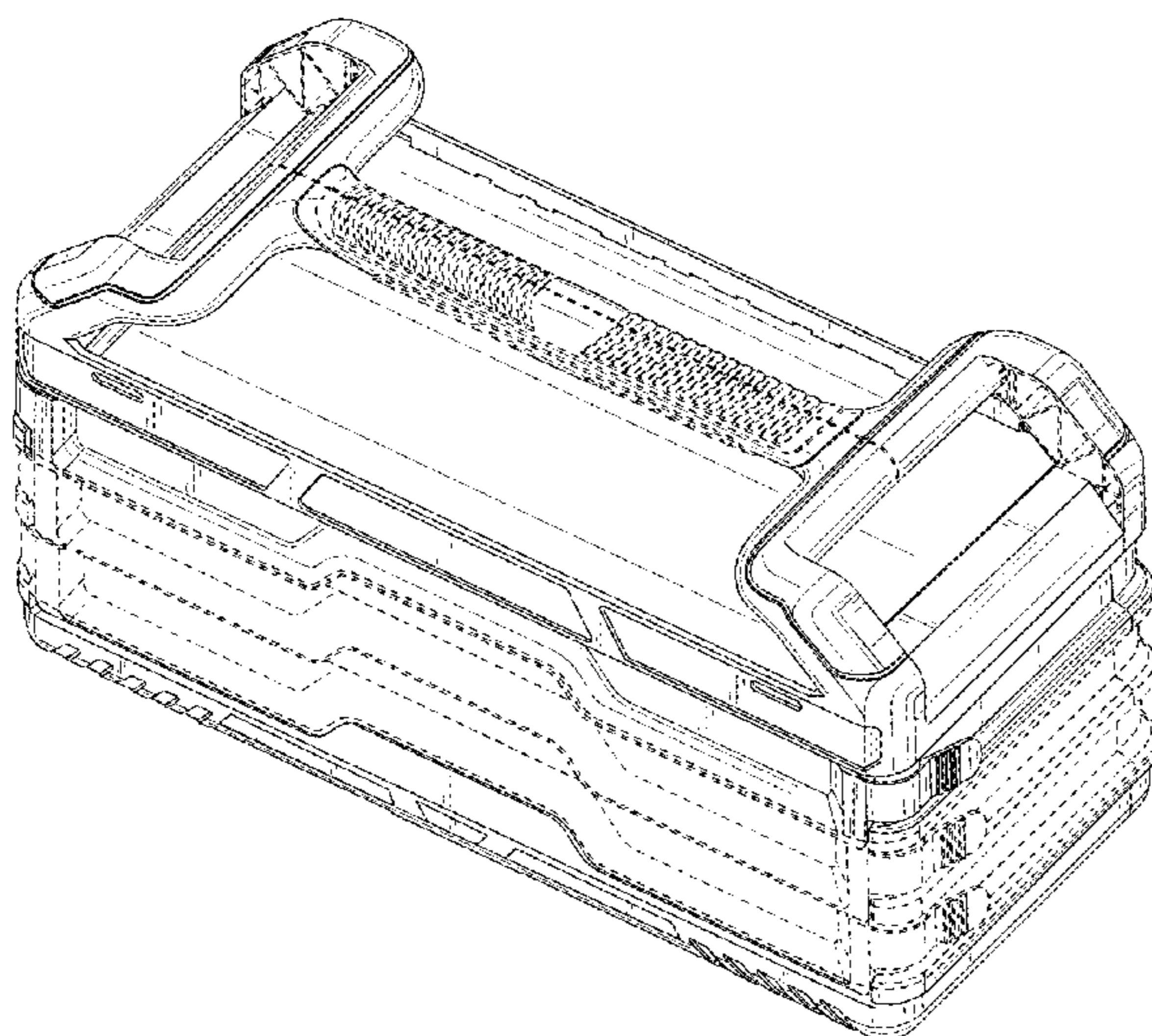
(57) **CLAIM**

The ornamental design for a tool box with drawer, as shown and described.

DESCRIPTION

FIG. 1 is a top perspective view of a tool box with drawer of our design;
FIG. 2 is a bottom perspective view thereof;
FIG. 3 is a front view thereof;
FIG. 4 is a rear view thereof;
FIG. 5 is a left and right side view thereof;
FIG. 6 is a top view thereof;
FIG. 7 is a bottom view thereof; and,
FIG. 8 is a top perspective view of the drawer of the tool box with drawer of FIG. 1, shown separately from the toolbox for ease of illustration.
The dashed broken lines shown in the drawings illustrate portions of the tool box with drawer which form no part of the claimed design.

1 Claim, 8 Drawing Sheets



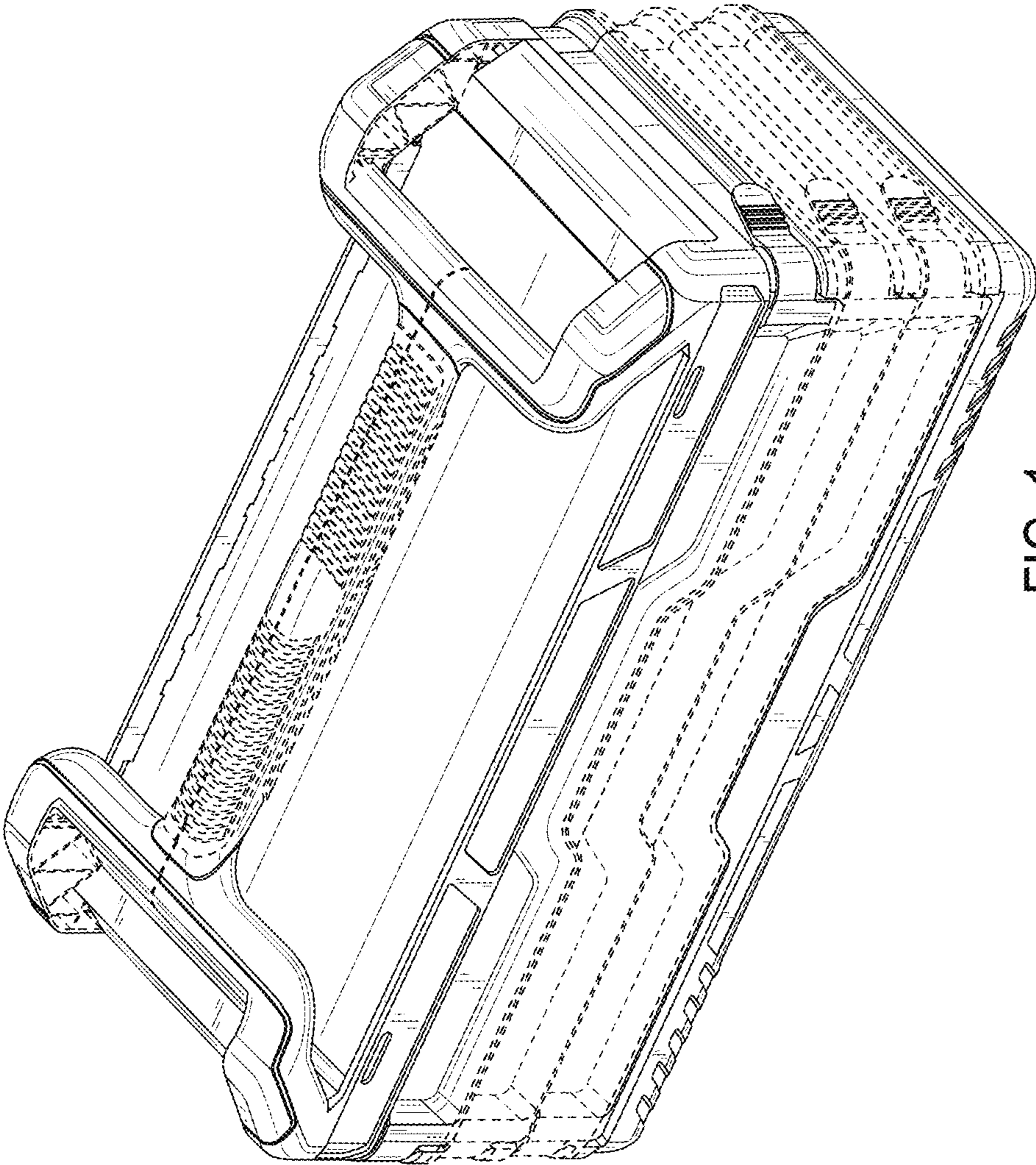


FIG. 1

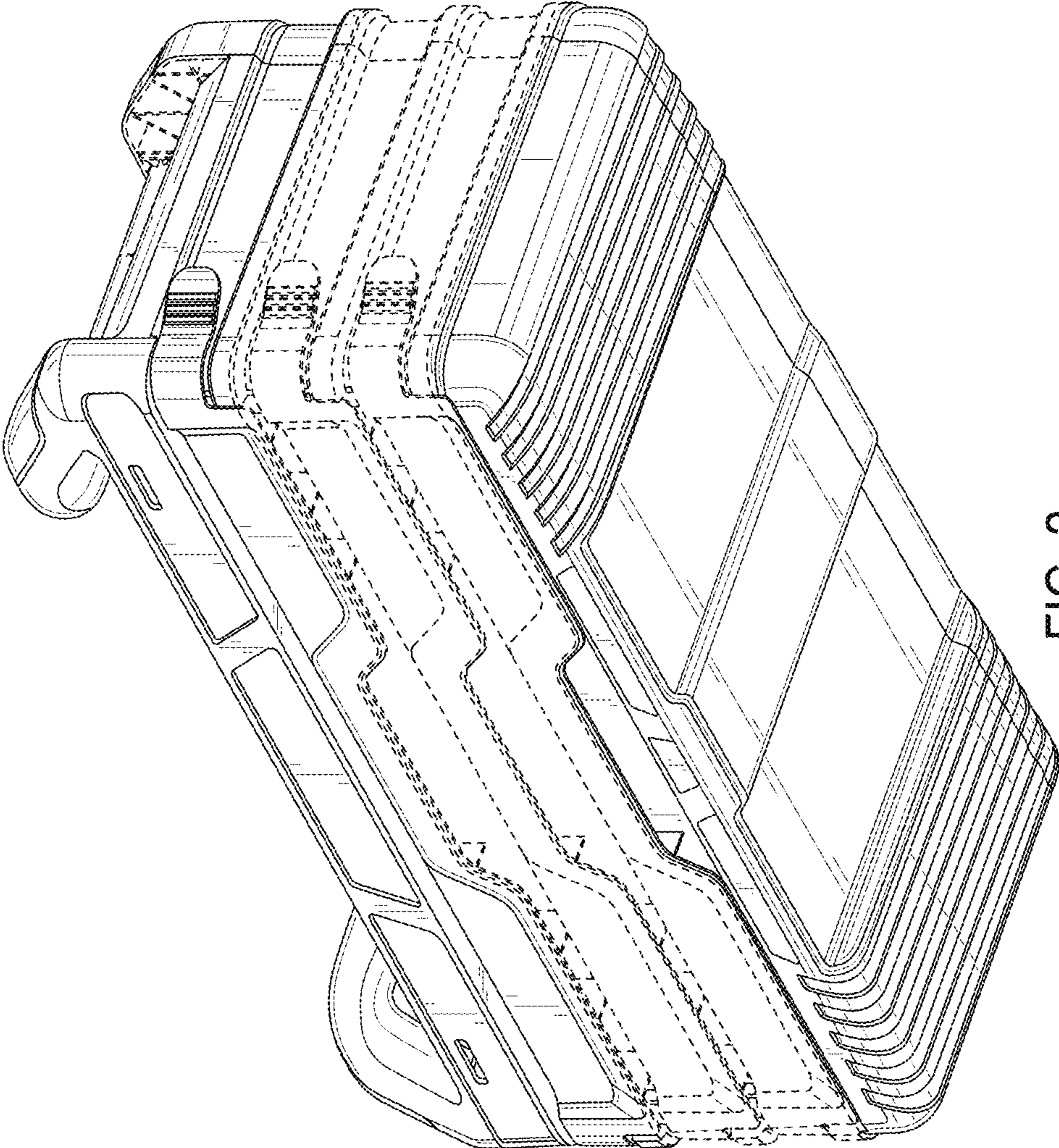


FIG. 2

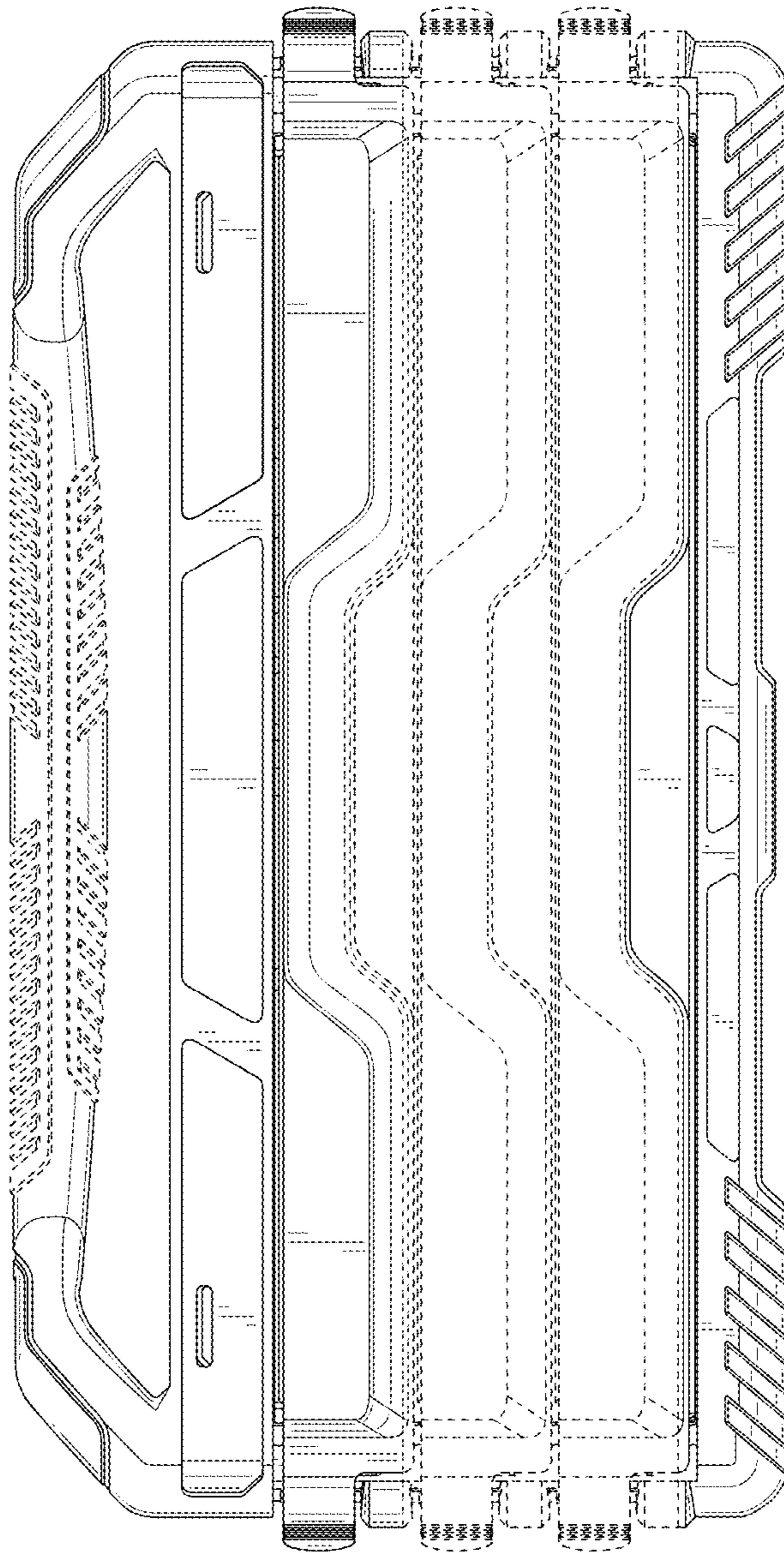


FIG. 3

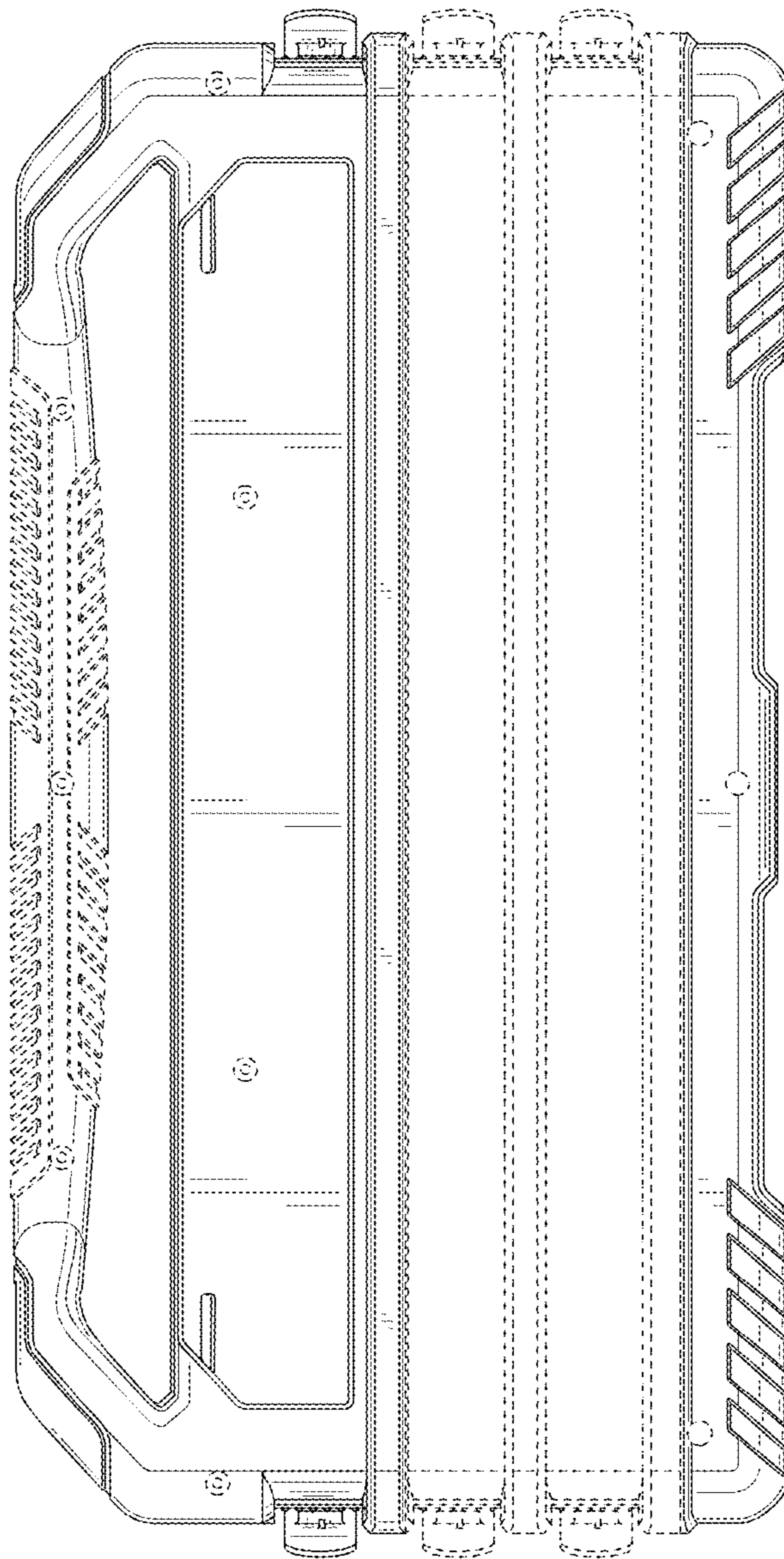


FIG. 4

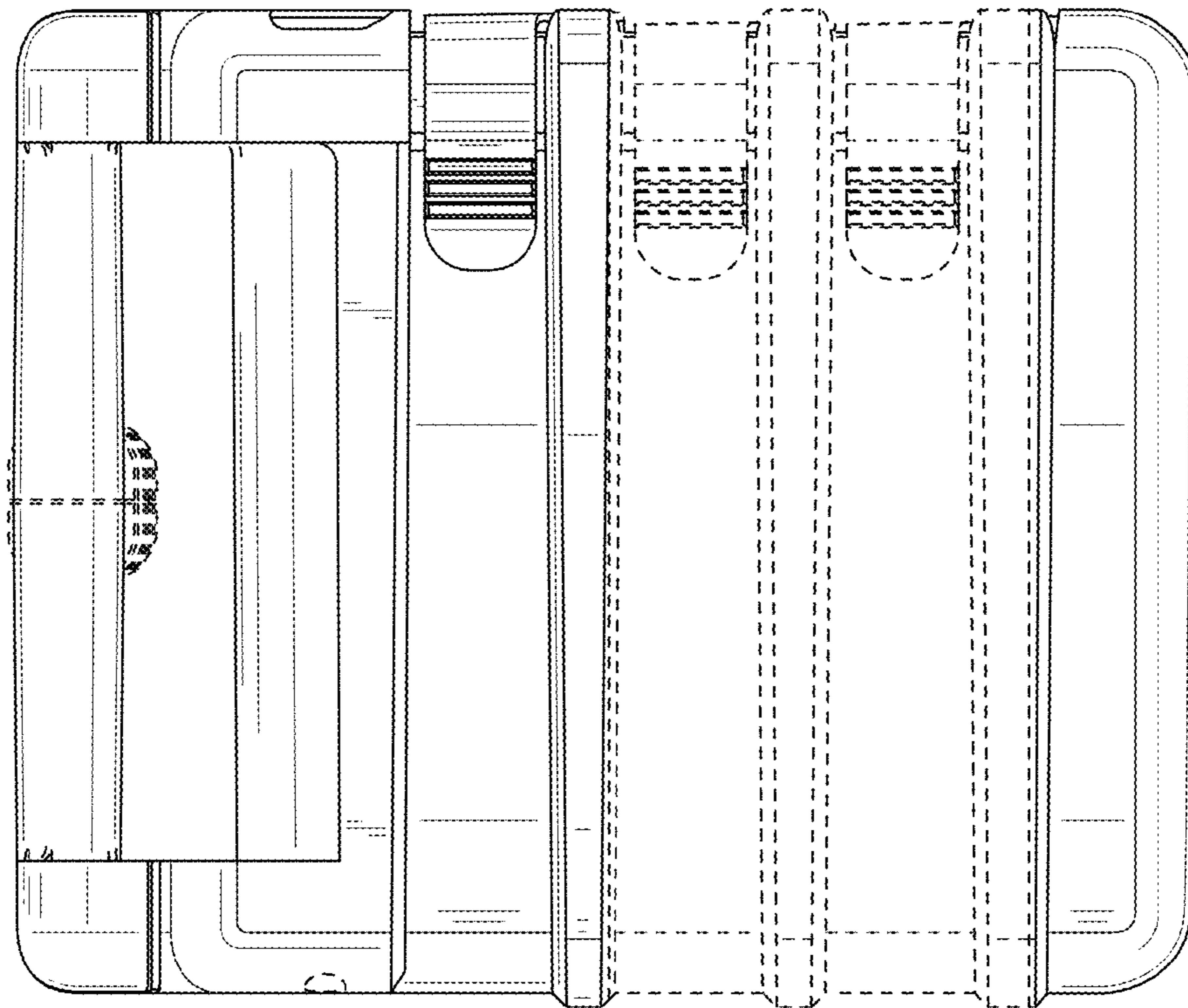


FIG. 5

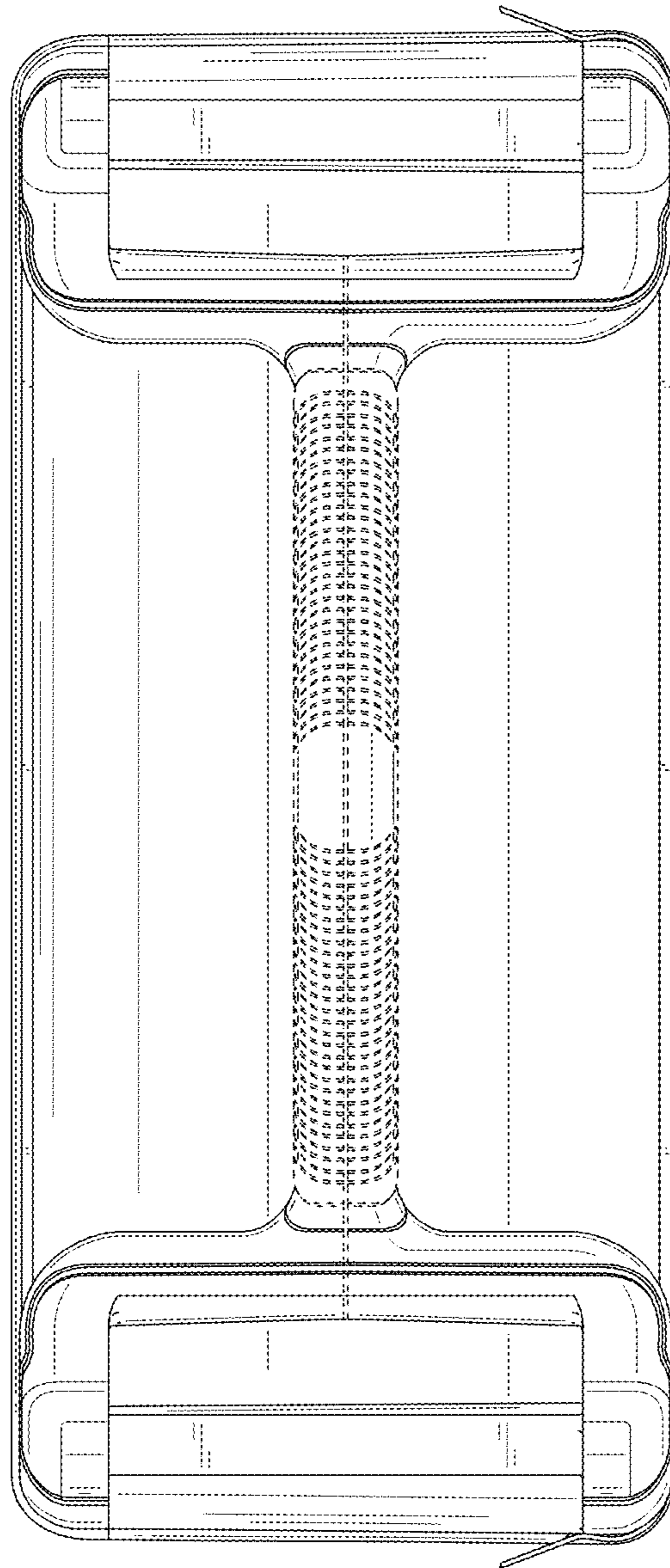


FIG. 6

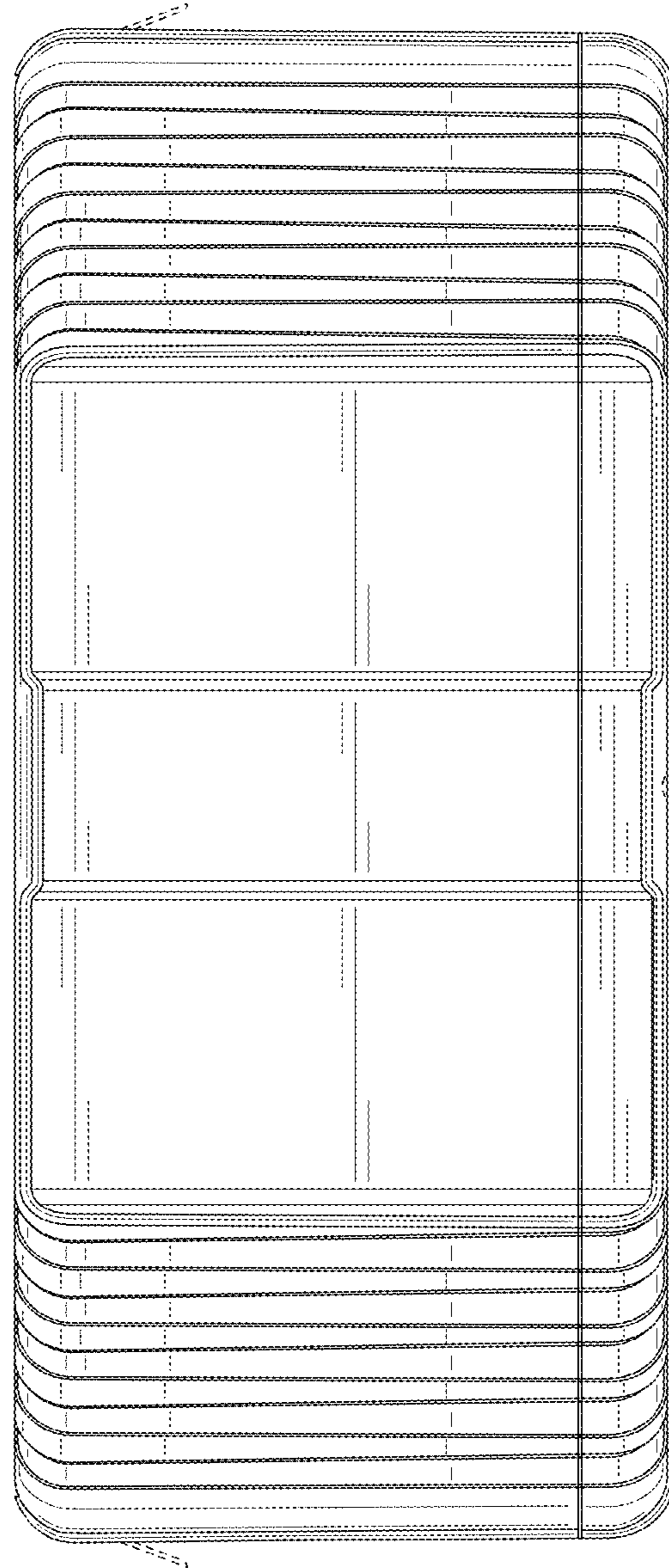


FIG. 7

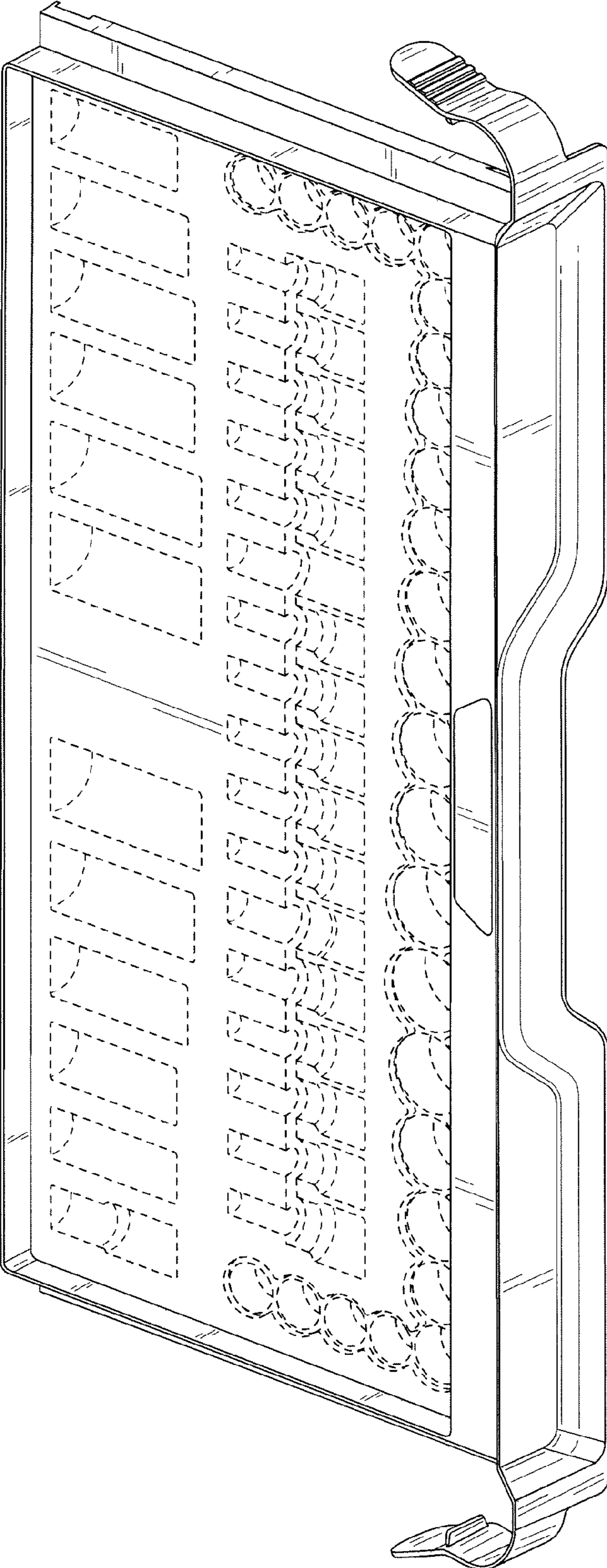


FIG. 8