



US00D771386S

(12) **United States Design Patent** (10) **Patent No.:** **US D771,386 S**  
**Caglar** (45) **Date of Patent:** **\*\* Nov. 15, 2016**

- (54) **TOOL BOX HANDLE**
- (71) Applicant: **Stanley Black & Decker, Inc.**, New Britain, CT (US)
- (72) Inventor: **Tolga Caglar**, Middleton, CT (US)
- (73) Assignee: **Stanley Black & Decker, Inc.**, Towson, MD (US)
- (\*\*) Term: **14 Years**
- (21) Appl. No.: **29/502,196**
- (22) Filed: **Sep. 12, 2014**
- (51) **LOC (10) Cl.** ..... **03-01**
- (52) **U.S. Cl.**  
USPC ..... **D3/318**
- (58) **Field of Classification Search**  
USPC ..... D3/318, 297, 309, 273, 276, 279, 291,  
D3/295, 296, 271.12, 905, 201; 190/18 A;  
220/694, 752, 771, 774  
CPC ..... B25H 3/02; Y10T 16/44; Y10T 16/476;  
Y10T 16/498; Y10T 16/00; Y10T 16/381;  
Y10T 16/384; Y10T 24/44872  
See application file for complete search history.

(56) **References Cited**

**U.S. PATENT DOCUMENTS**

- 4,662,515 A \* 5/1987 Newby, Sr. .... B25H 3/02  
206/349
- D385,111 S \* 10/1997 Dickinson ..... D3/304
- 5,675,867 A \* 10/1997 Howie, Jr. .... A47B 95/02  
16/412

- 6,119,309 A \* 9/2000 Lu ..... A45C 13/26  
16/110.1
- D599,549 S \* 9/2009 Moss ..... D3/282
- D744,750 S \* 12/2015 Sabbag ..... D3/281
- D748,449 S \* 2/2016 Ou ..... D8/316
- 2008/0128441 A1\* 6/2008 Chen ..... B25H 3/02  
220/761
- 2015/0089771 A1\* 4/2015 Cheung ..... E06B 9/38  
16/430

\* cited by examiner

*Primary Examiner* — Rosemary K Tarcza

*Assistant Examiner* — Christy Nemeth

(74) *Attorney, Agent, or Firm* — Caeden Drayton; Adan Ayala

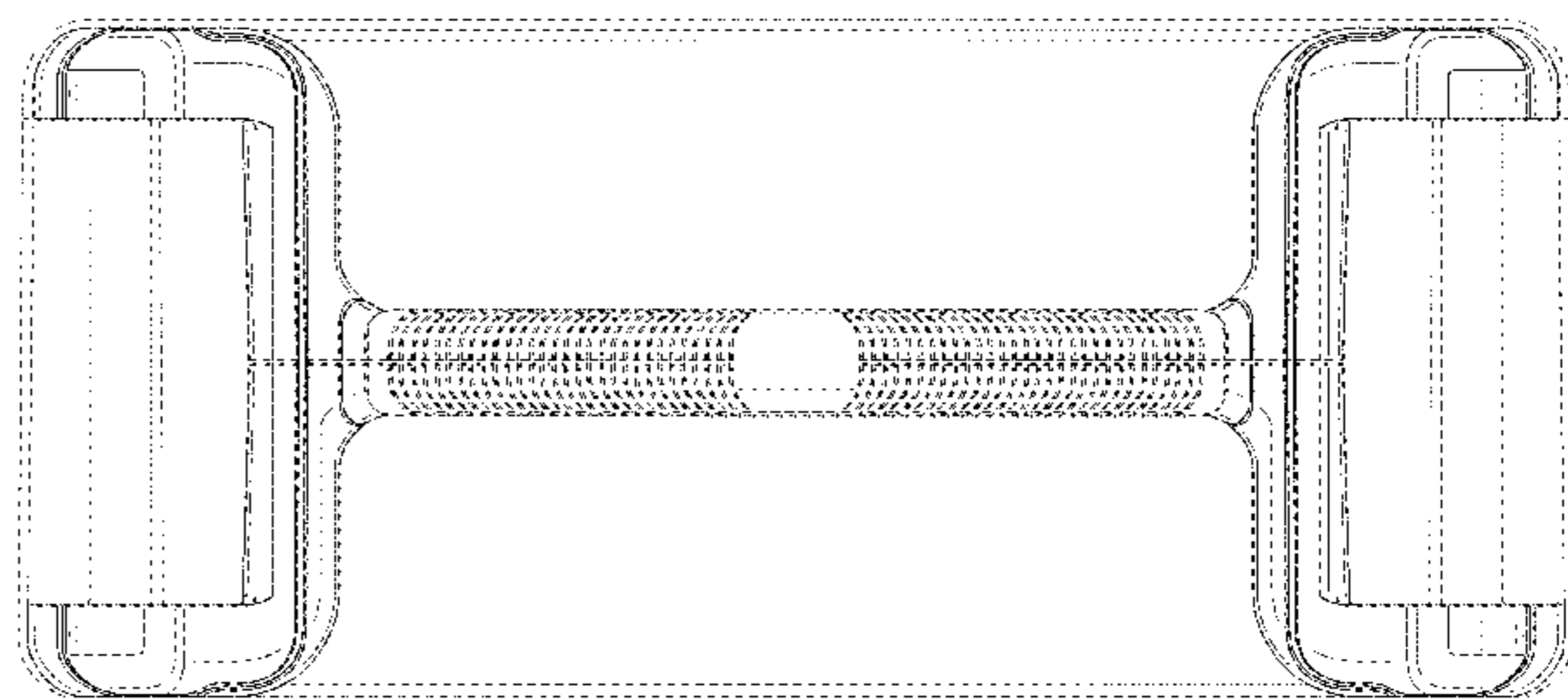
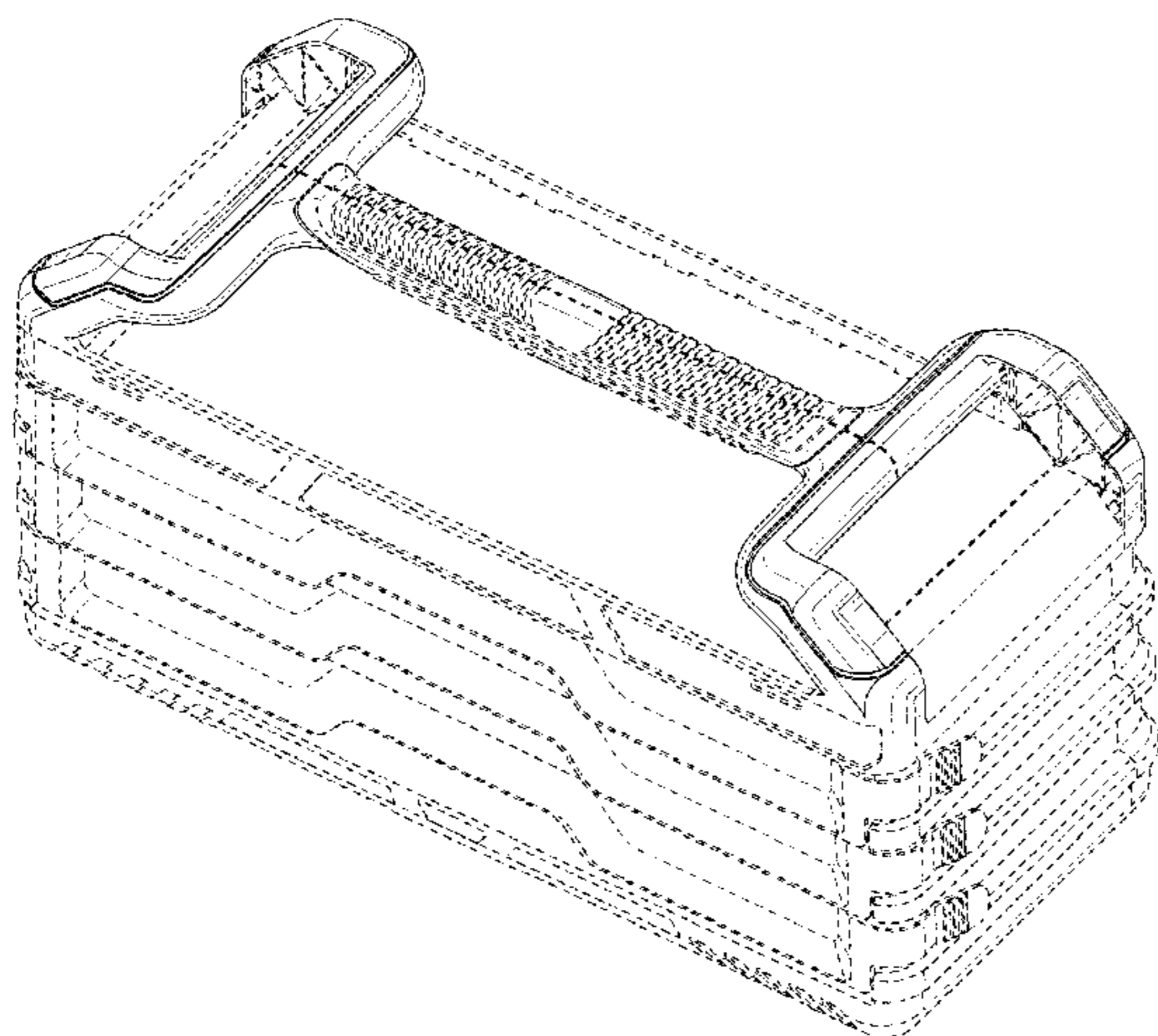
(57) **CLAIM**

The ornamental design for a tool box handle, as shown and described.

**DESCRIPTION**

FIG. 1 is a top perspective view of a tool box handle of my design, as shown with a tool box in broken lines;  
 FIG. 2 is a front view thereof;  
 FIG. 3 is a rear view thereof;  
 FIG. 4 is a left side view thereof, the right side being identical;  
 FIG. 5 is a top view thereof; and,  
 FIG. 6 is a bottom view thereof.  
 The broken lines in the drawings are included for the purpose of illustrating environmental subject matter and form no part of the claimed design.

**1 Claim, 6 Drawing Sheets**



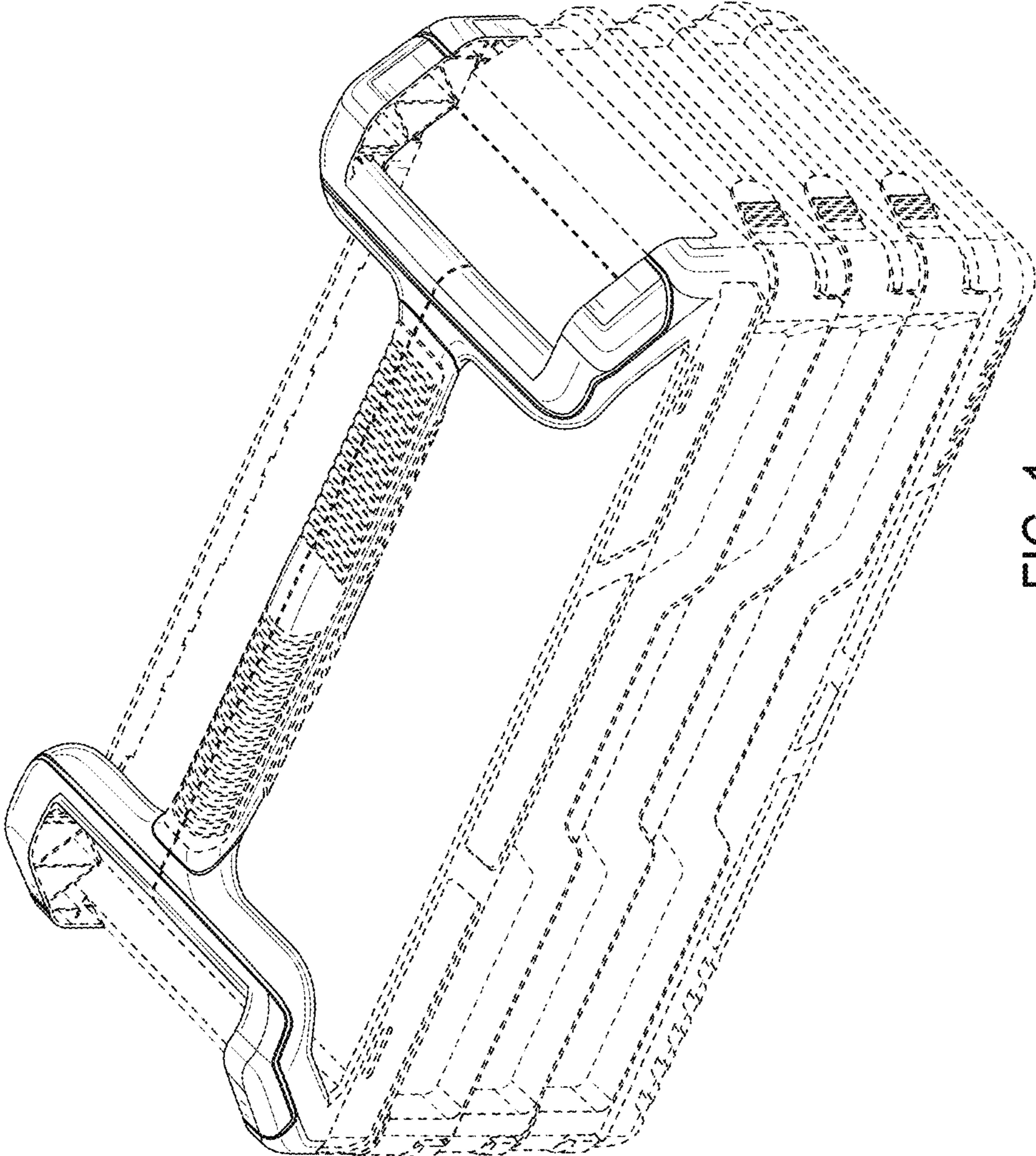


FIG. 1

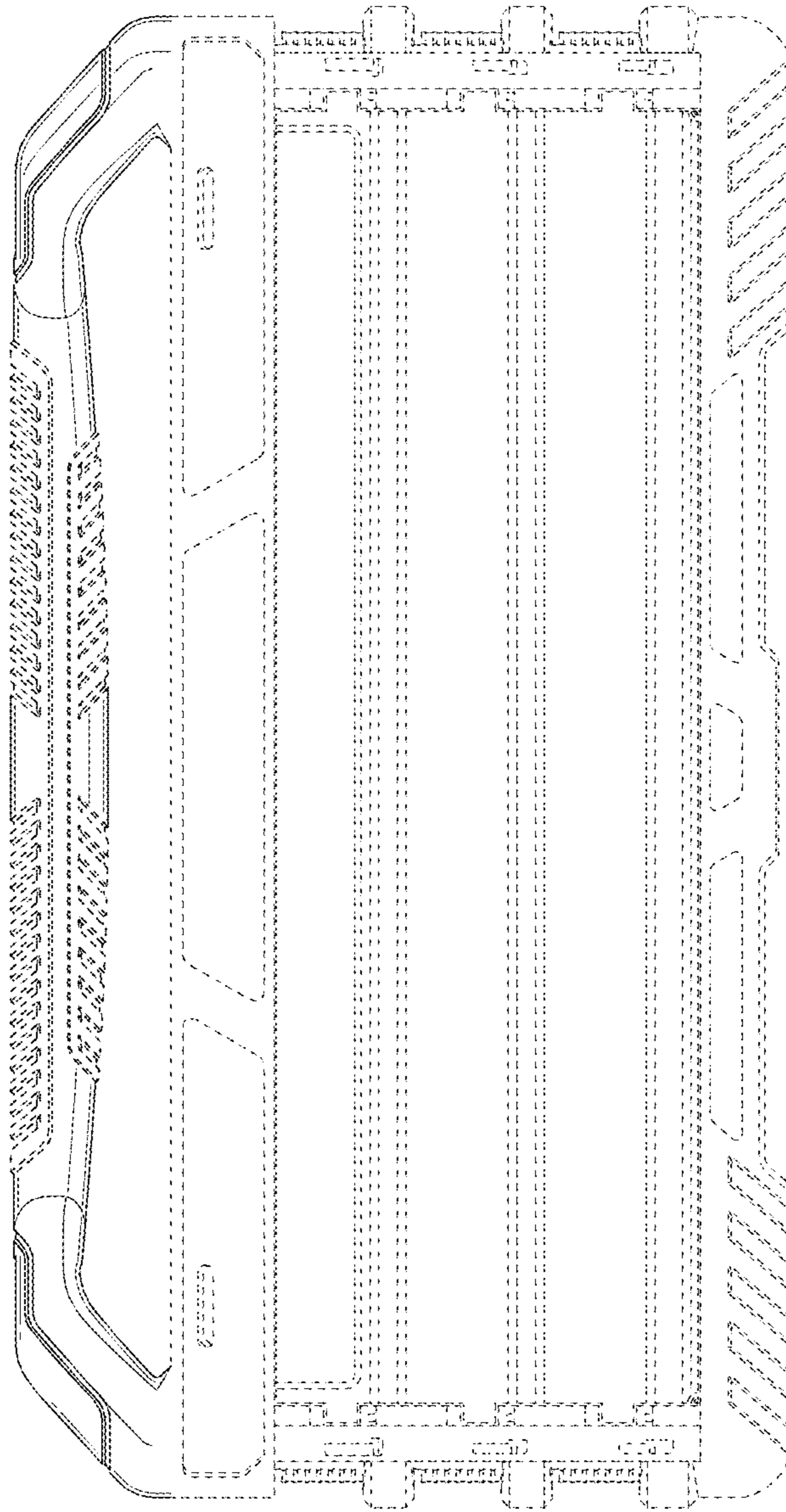


FIG. 2

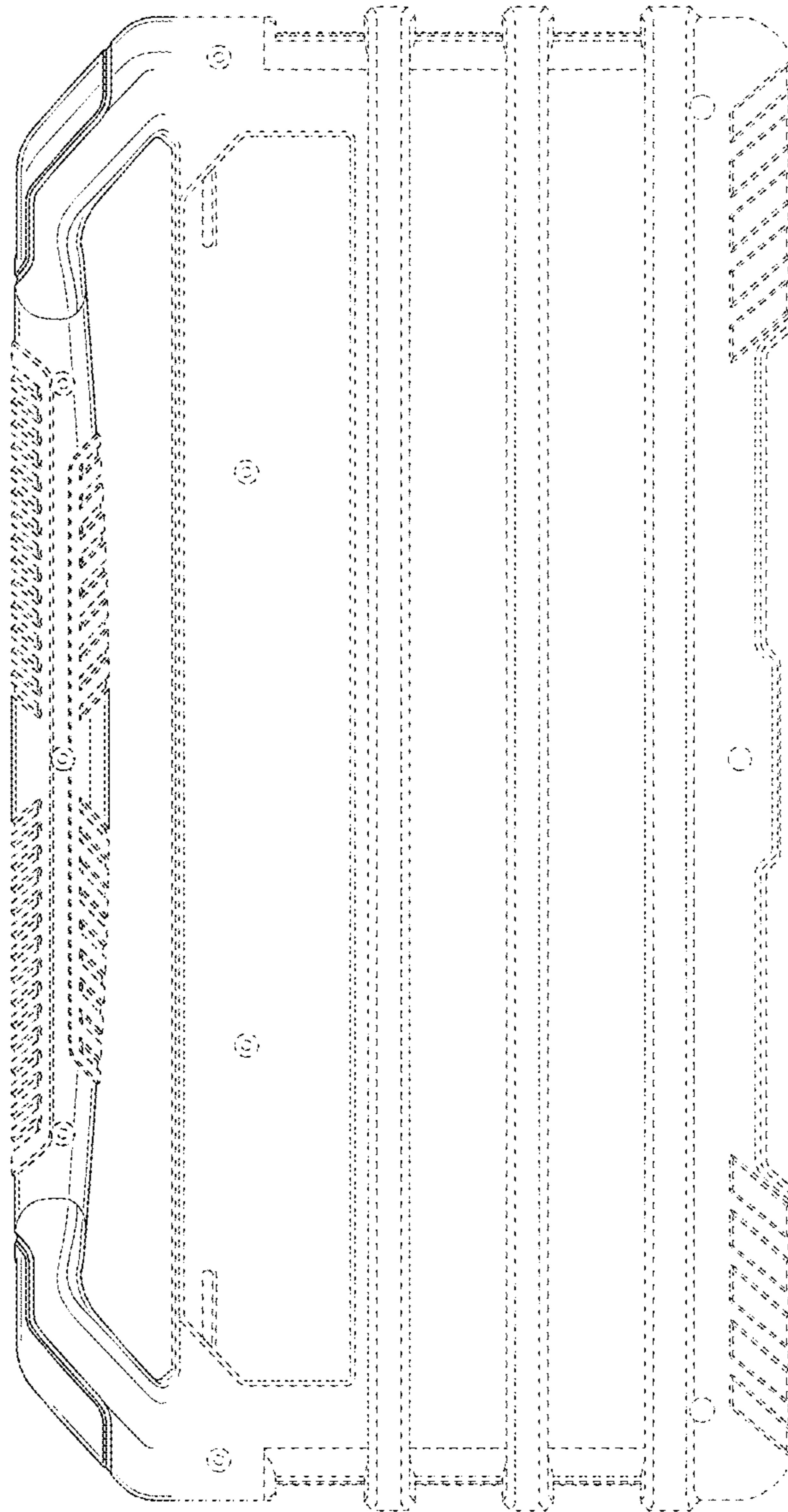


FIG. 3

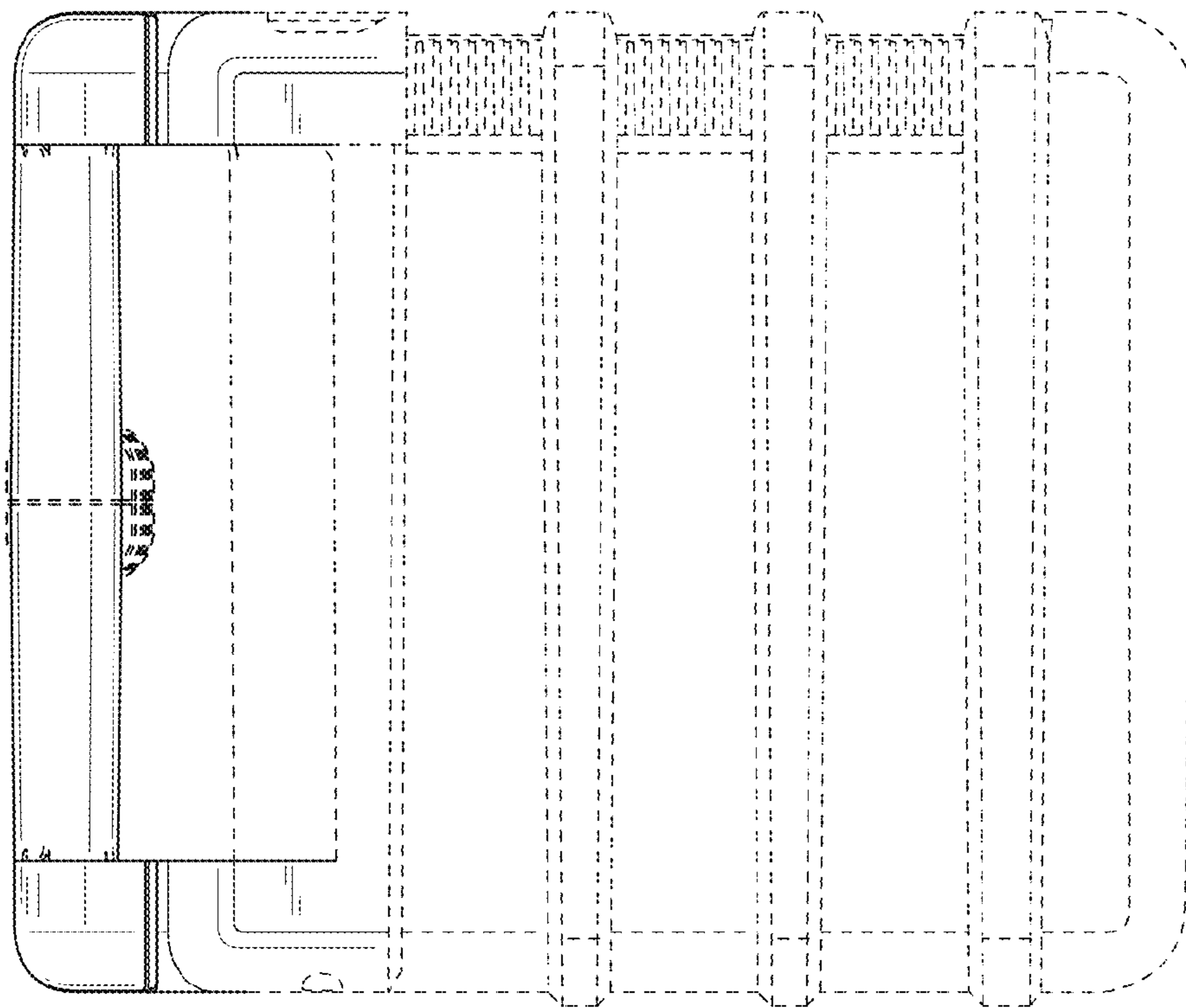


FIG. 4

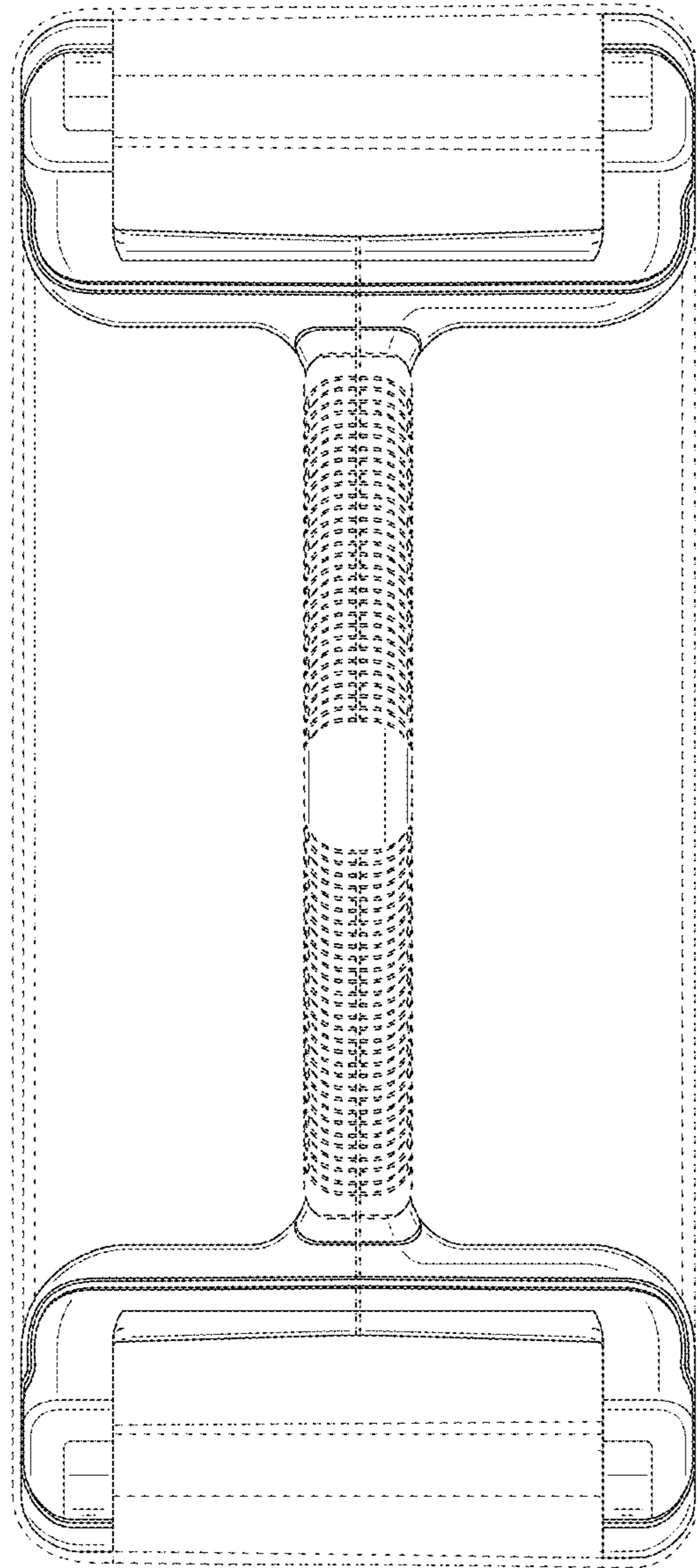


FIG. 5

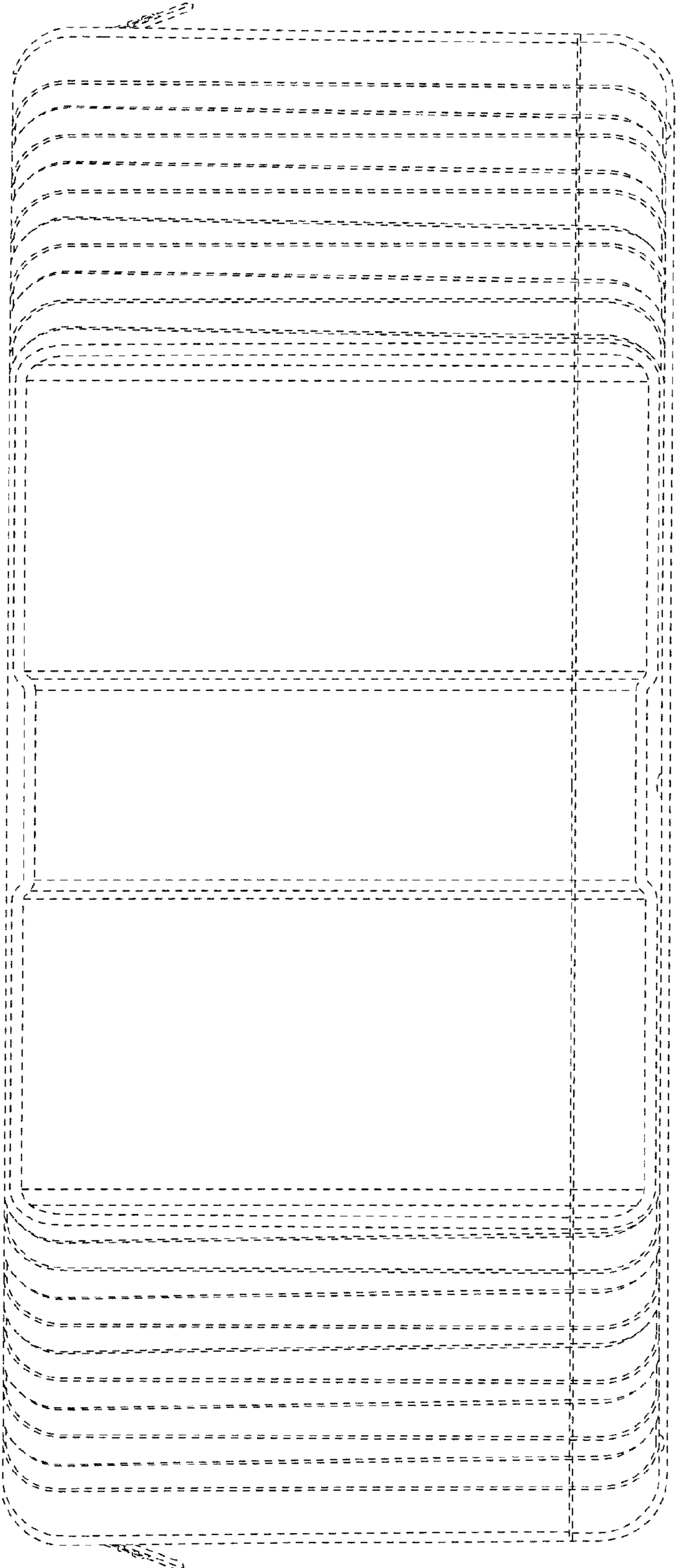


FIG. 6